

Clemas & Co Ltd

**Industrial Cleaning Equipment
Sales – Hire - Service**

CV100

Wet & Dry Vacuum

Operator Manual



Unit 5 Ashchurch Business Centre, Alexandra Way,
Tewkesbury, Gloucestershire, GL20 8NB

Tel: 01684 850777 Fax: 01684 850707
Email: info@clemasco.uk Web: www.clemas.co.uk

UNPACKING YOUR VACUUM CLEANER

Unpack your cleaner and ensure that you have the spares and accessories as listed on the delivery note.

NOTE: This range of industrial Wet & Dry vacuum cleaners has a hose entry which will accept 32, 38 and 51mm diameter hoses. Hoses and accessories are usually supplied to your order/requirement. Please check you receive the accessories ordered.

This model is packed with the caddy handle removed for transport/packing purposes. Refit the handle before use.

OPERATING INSTRUCTIONS

1. Connection to the Electricity Supply

Insert the mains plug into a suitable socket outlet and switch on. When you have finished cleaning, switch off the supply at the outlet socket and unplug. When coiling the mains cable make sure that any twists or knots in the cable come out at the plug end. DO NOT coil cable from the plug end as all twists and knots remain in the cable and considerably shorten its life.

2. Cleaner Controls

The following controls are provided:

- a) The on/off switch is situated on the motor head. To switch the appliance on firmly press the part of the switch marked "1". To switch off press the part of the switch marked "0".

3. Carrying and Storing

The assembled cleaner should only be moved by the carrying handle on top of the motor head or by the caddy handle. Do not attempt to lift or drag the machine by the mains lead. The cleaner must be stored indoors and in a dry environment.

4. Access to the Float/Filtration System

- a) To remove the motor head, unclip all clips. Ensure that the clips are hinged clear of the rim of the motor head. Lift the motor head clear of the canister.
- b) To refit the motor head align the head so that the cable entry lies directly opposite the hose entry on the canister. Locate the clips over the rim of the motor head and firmly press down the clips until they have locked into position.

5. Emptying Liquid from Canister

All models:- Remove motor head and float assembly as described above.

- a) When the float ball rises and prevents any further liquid pick up, switch the vacuum cleaner off and remove the plug from the wall socket.
- b) Wheel the vacuum cleaner to a suitable low level drain.
- c) Remove the drain hose from the retaining clips and position over the drain. Flip the ball stopper away from the end of the drain hose and allow the liquid to discharge into the drain.

Note: The drain hose is not suitable to empty dry debris from the canister.

INSTRUCTIONS FOR USE OF ALL KERSTAR WET & DRY VACUUM CLEANERS

This machine can be used to pick up water (WET) **OR** to pick up general dust, dirt etc. (DRY).

To set up for wet use

1. Remove motor head
2. Remove dry filter assembly
3. Make sure the canister is empty and clean
4. Place the float assembly in the canister
5. Replace motor head – **the machine is now ready for wet use only**
6. When the machine is full, the float will rise automatically and cut off the suction, thus preventing any more water being picked up. The machine should then be emptied.

WARNING Switch off and remove plug before cleaning or emptying. During wet use if foam or liquid comes from the exhaust, switch off immediately.

If liquid comes from the exhaust, foam is being generated in the canister, remove the plug from the supply socket. Separate the vacuum motor head from the canister and tip the liquid out of the exhaust vent until completely drained. Leave the vacuum motor head in a warm and dry environment for at least twelve hours before using again.

To set up for dry use

1. Remove motor head
2. Remove float assembly
3. Empty can of any water, and dry out with sponge or cloth
4. Fit the 2nd stage dry filter assembly
5. Refit motor head – **the machine is now ready for dry use only**

Important

When used for dry vacuuming, both stages of dry filtration MUST be used. Overheating and motor failure could occur if either stage of filtration is not fitted.

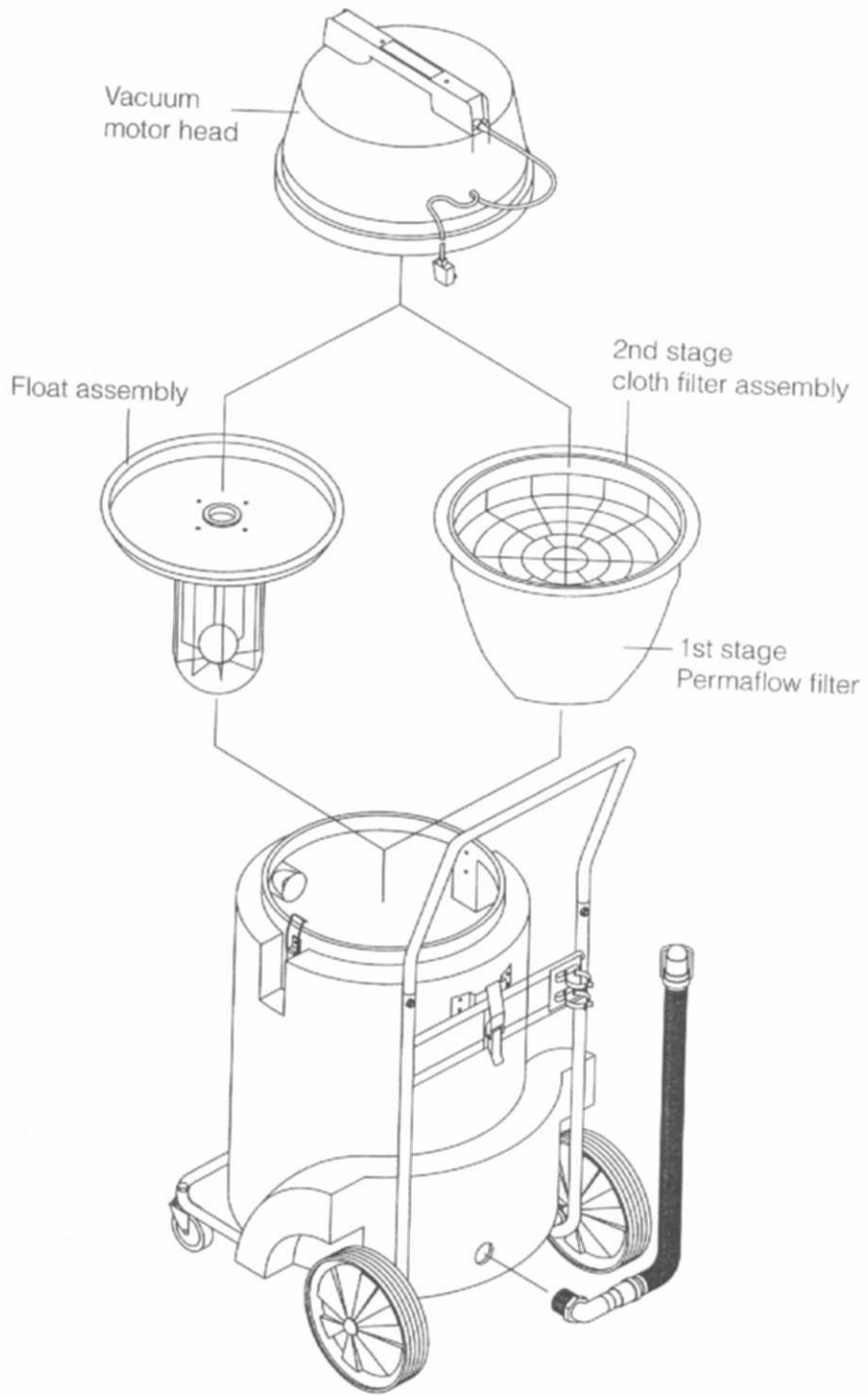
CLEANING THE FILTERS

1st Stage 14" Permaflow Filter

- a) Brush dust off filter, or
- b) Vacuum dust off with another vacuum cleaner, or
- c) Brush clean and wash (**Note:** the filter must be dry before being refitted)

2nd Stage Cloth Filter on Frame

- a) Brush dust off filter, or
- b) Vacuum dust off with another vacuum cleaner, or
- c) Brush clean and wash (**Note:** the filter must be dry before being refitted)



IMPORTANT USER INFORMATION

It is most important that this instruction book should be retained with the appliance for future reference. Should the appliance be sold or transferred to another owner, always ensure that the book is supplied with the appliance in order that the new user can be acquainted with the functioning of the appliance and the relevant warnings. These warnings are provided in the interest of safety. You must read them carefully before installing or using the appliance.

This appliance is designed to be operated by adults.

It is dangerous to alter the specification or modify the product in any way.

CAUTION: This vacuum cleaner is not suitable for picking up health endangering dust.

This machine is also suitable for commercial use, for example in hotels, schools, hospitals, factories, shops and offices for other than normal housekeeping purposes.

If the supply cord is damaged, it must be replaced by a special cord or assembly available from the manufacturer or its service agent.

Do not use the appliance in the presence of flammable gases.

Never leave the appliance running unattended.

Remove the plug from the wall socket before attempting any form of user maintenance specified in this user instruction book.

Do not carry or drag your Vacuum Cleaner by the mains supply cable.

Do not tug at the mains supply cable to remove the plug from the wall socket.

Keep the mains supply cable away from heat, oil, sharp edges and rough surfaces.

Always ensure that the cable is not damaged in any way.

Never pick up hot cinders or lighted cigarette ends.

Do not use the appliance for dry vacuuming with the filters removed.

When fitting and changing the accessories always follow the instructions in this user instruction book.

Under no circumstances should you attempt to repair the appliance yourself. Repairs undertaken by unauthorised or inexperienced persons may cause injury and/or serious malfunctioning.

This appliance should be serviced by authorised Kerstar personnel and only genuine Kerstar spare parts should be used.

Always remove liquids from the container after use.

Do not use in the rain.

ELECTRICAL INFORMATION

Cable & Plug

This Wet & Dry Cleaner is an earthed appliance and has 10 metres of 3-core flex with a moulded on impact resistant 13amp 3-pin plug (to BS 1363A). The fuse fitted (ASTA Approved) is rated at 13amps. Only 13amps fuses must be used. *(Not applicable to 110V models – these are fitted with a yellow 16amp 3-pin plug suitable for 110V).*

Should the moulded on plug be damaged please follow this procedure:

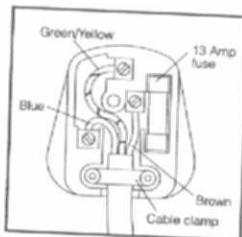
Switch off supply at socket, remove damaged plug from socket, cut plug off from flex.

Make sure the damaged plug is disposed of immediately so as there is no chance of the damaged plug being used.

Fitting a Replacement Plug

Use only a 13amp (approved) plug. To fit proceed as follows:

- 1) Ensure that the lengths of wire to be fitted inside the plug have been cut to the correct length and the end correctly prepared. When preparing the cable ends take care not to damage the outer sheath, or the insulation surrounding the inner conductors.
- 2) Connect the blue (NEUTRAL) wire to the terminal in the plug which is marked with the letter "N" or coloured black.
- 3) Connect the brown (LIVE) wire to the terminal in the plug which is marked with the letter "L" or coloured red.
- 4) Connect the green/yellow (EARTH) wire to the terminal in the plug which is marked with the letter "E" or coloured green.
- 5) Tighten all screws. Ensure that all conductor strands have entered into the terminal posts and that the mains lead is securely held in place by the cable clamp.
- 6) Ensure that the plug is fitted with a 13amp ASTA approved BS 1362 fuse. Replace the top cover of the plug and secure.



Extension Cable

If using an extension cable at any time, always ensure that the insulation sheath is in good condition and is not damaged in any way. Make sure that the socket is fitted to the extension cable correctly, if in doubt have it checked by a qualified electrician. Always use the extension cable in accordance with the manufacturers instructions.