



Clemas & Co Ltd

Industrial Cleaning Equipment
Sales - Hire - Service

A15 AIR POWERED VACUUM CLEANER PARTS MANUAL



Clemas & Co. Unit 5 Ashchurch Business Centre, Alexandra Way, Tewkesbury,
Gloucestershire, GL20 8NB.

Tel: 01684 850777

Fax: 01684 850707

Email: info@clemas.co.uk

Web: www.clemas.co.uk

Table of Contents

A15

Frame	3
Container unit	5
Suction unit	7
Filter group	9
Absolute filter	11

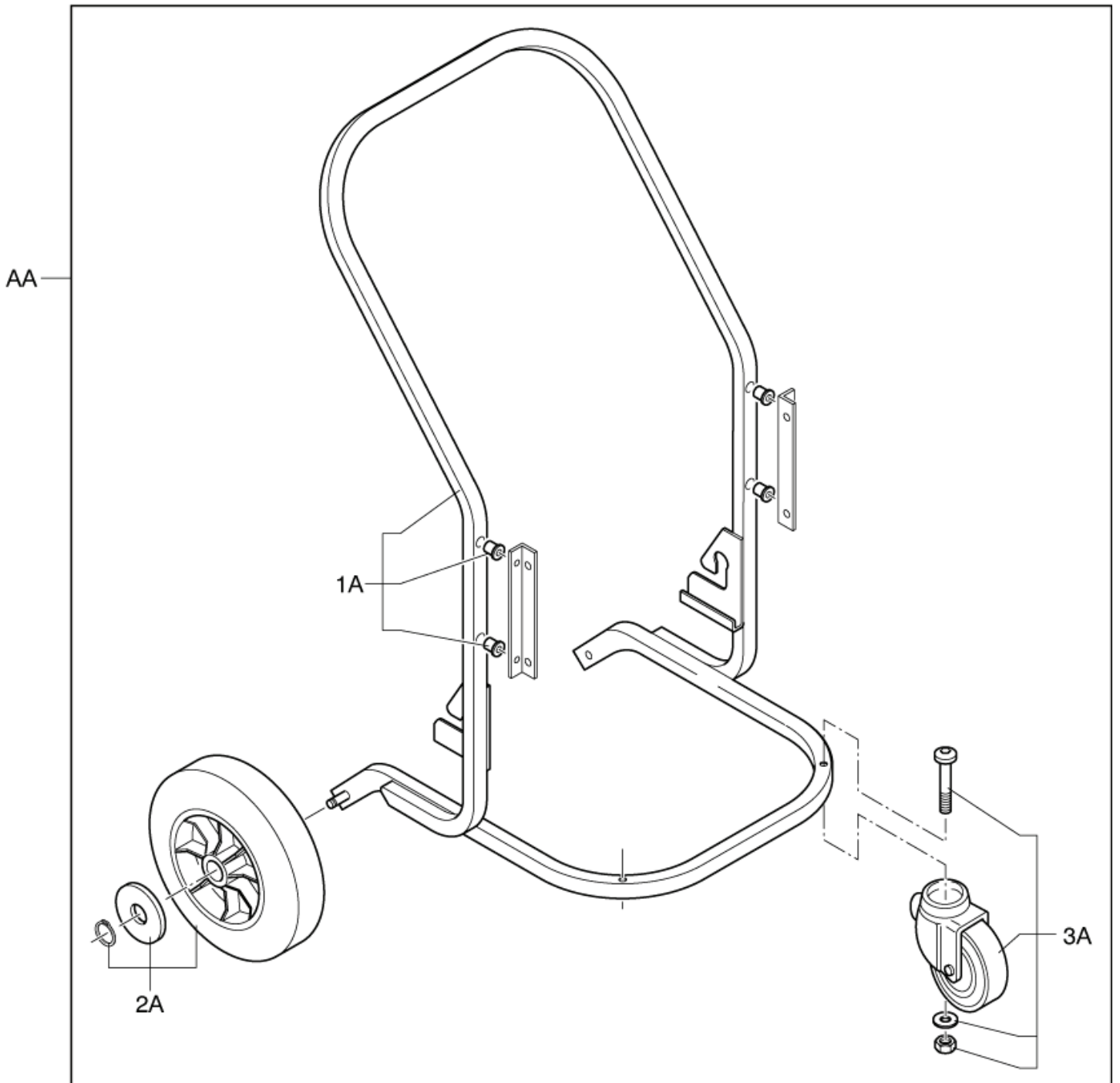
Frame

A15

27-09-2012

Part List ID A1501

3



Frame

A15

27-09-2012

Part List ID
A15U1

4

Pos	Part no.	Qty	Description
1A	40000449	1	KIT CAR FE
1A	40000450	1	KIT CAR INOX
2A	40000443	2	KIT FIX CASTOR D150 FE
2A	40000444	2	KIT FIX CASTOR D150 INOX
3A	40000445	1	KIT REVOLV. CASTOR D80
3A	40000446	1	KIT ANTIST. REVOLV. CASTOR D80
AA	Z8 36336	1	CAR MOD 118 FE COMPL
AA	Z8 36506	1	CAR MOD. 118 INOX COMPL.

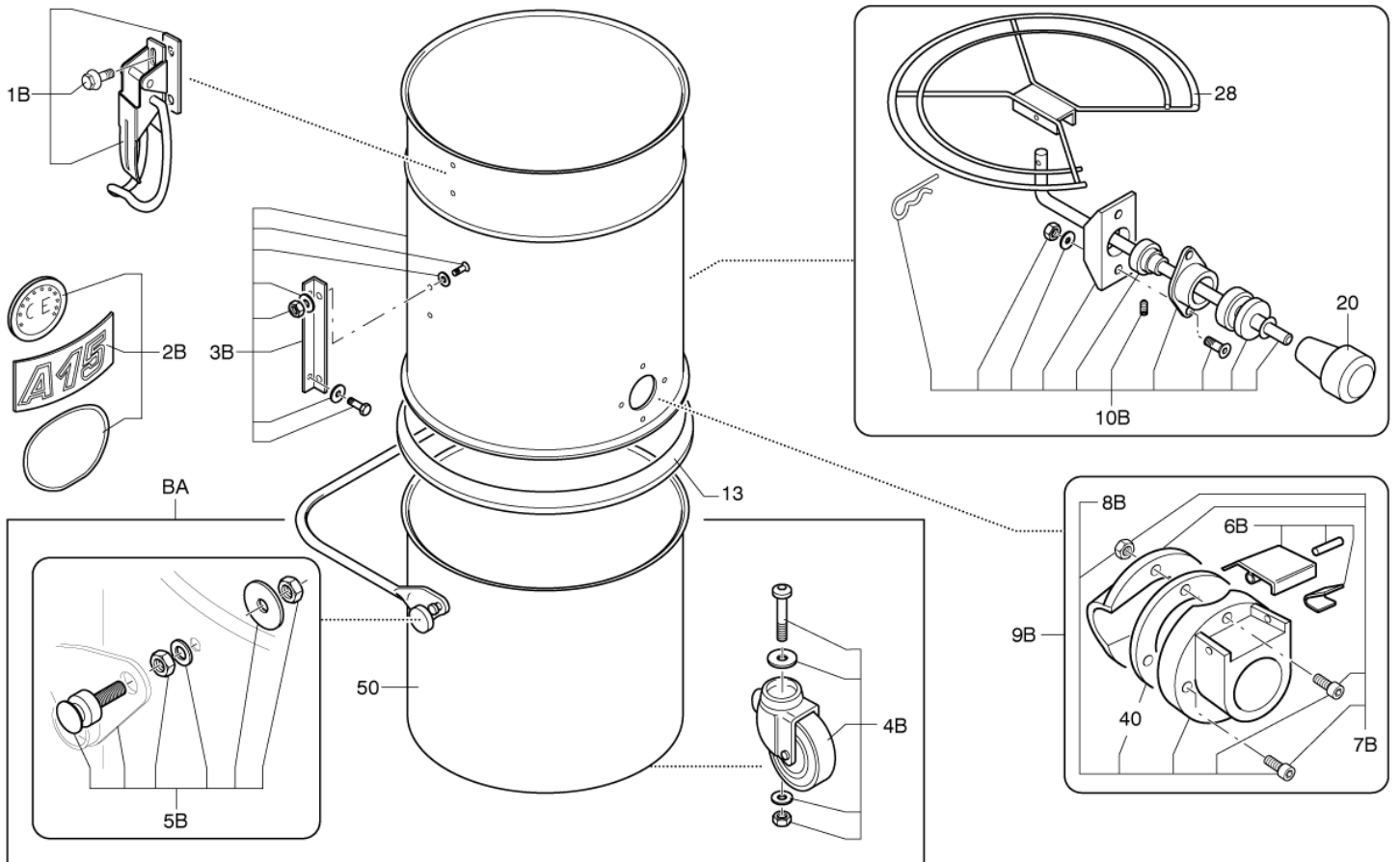
Container unit

A15

27-09-2012

Part List ID A1503

5



Container unit

A15

27-09-2012

Part List ID
A15U3

6

Pos	Part no.	Qty	Description
13	Z8 17074	1	FILT.CHAMBER SEAL D360 BL
13	Z8 17226	1	SEAL SILICONE 3156
1B	40000321	1	KIT CAP LOCK FE
1B	40000322	1	KIT CAP LOCK INOX
20	Z8 40373	1	HANDGRIP D10 X ELECTRIC S
28	Z8 33171	1	FILT.TIGHTENING RING D360
28	Z8 33174	1	F.TIGHTENING RING M.137 INOX
2B	40000455	1	KIT LABELS
3B	40000451	1	KIT FILTER CHAMBER D360 F E
3B	40000452	1	KIT FILTER CHAMBER D360 INOX
40	Z8 17005	1	INLET SEAL D50
4B	40000358	1	KIT WHEELS FOR CONTAINER FE
4B	40000359	1	KIT WHEELS FOR CONTAINER INOX
50	Z8 30196	1	CONTAINER D360x250RELEASE FR MODEL 118
50	Z8 30300	1	CONTAINERD360X250 INOX MOD. 118 RELEASE
5B	40000447	1	KIT HANDLE FE
5B	40000448	1	KIT HANDLE INOX
6B	40000320	1	KIT PUSH BUTTON FOR INLET
7B	40000391	1	KIT DEFLECTOR D50
7B	40000392	1	KIT DEFLECTOR INOX D50
8B	40000318	1	KIT INLET FE D50
8B	40000319	1	KIT INLET INOX D50
9B	40000393	1	KIT COMPLETE INLET FE D50
9B	40000394	1	KIT COMPLETE INLET INOX D50
BA	Z8 30250	1	CONTAINER D360x250 FE COM MOD. 118
BA	Z8 30302	1	CONTAINER D360X250 INOX COMP MOD. 118
10B	40000453	1	Kit Filter Shaker Lever - FE
10B	40000454	1	KIT FILTER SHAKER LEVER INOX

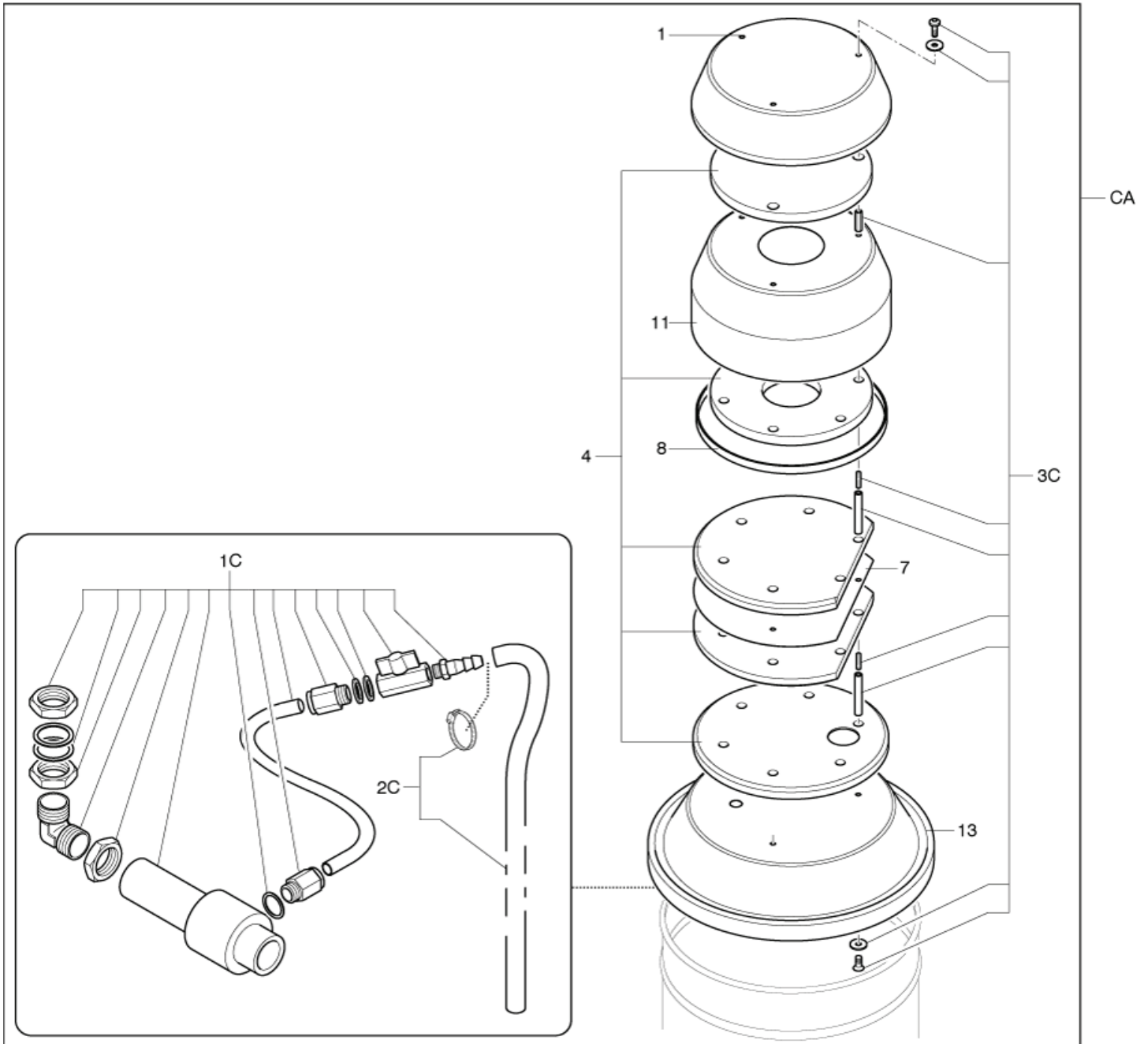
Suction unit

A15

27-09-2012

Part List ID A1505

7



Suction unit

A15

27-09-2012

Part List ID
A1505

8

Pos	Part no.	Qty	Description
1	Z8 16338	1	DEFLECTOR A15
1	Z8 16345	1	DEFLECTOR A15 IN SS
4	Z8 17692	1	KIT SOUNDPROOF A15
7	Z8 16340	1	PARTITION
8	Z8 17084	1	PROFILE U SEAL
11	Z8 16339	1	SILENCER BODY A15
11	Z8 16346	1	SILENCER BODY A15 SS
13	Z8 12381	1	COVER A15
13	Z8 12384	1	COVER A15 IN SS
1C	40000457	1	KIT VENTURI FE
1C	40000458	1	KIT VENTURI INOX
2C	40000459	1	KIT FEEDING TUBE
3C	40000456	1	KIT HEAD SPACERS
CA	4089100047	1	KIT HEAD MOD.A15 COMPLETE
CA	4089100180	1	KIT COMPLETE HEAD M.A15 SS

Filter groep

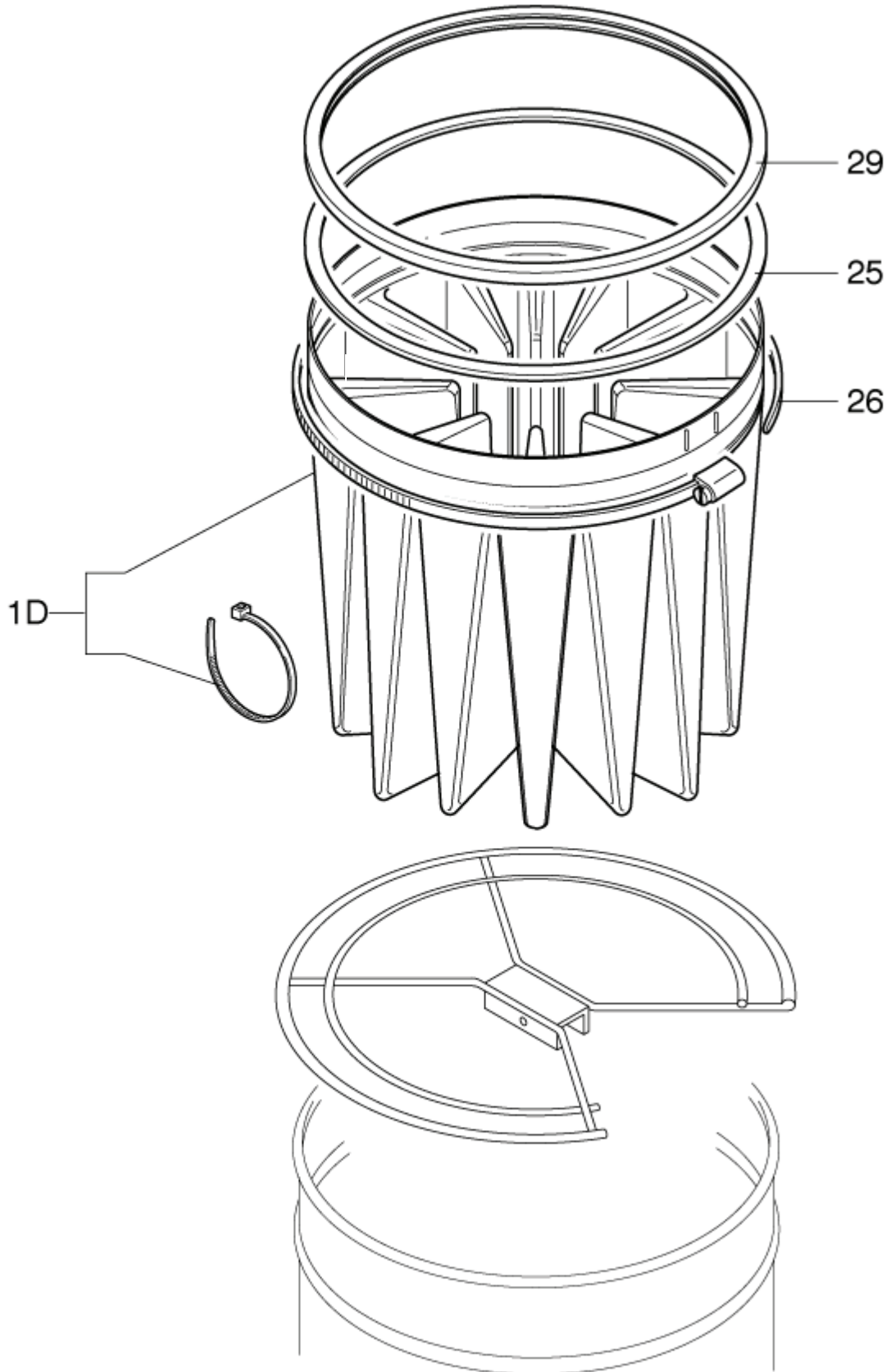
A15

27-09-2012

Part List ID

A1507

9



Filter groep

A15

27-09-2012

Part List ID A1507

10

Pos	Part no.	Qty	Description
1D	40000460	1	KIT ANTISTATIC STAR FILTE R D 360
25	Z8 15002	1	FILTER HOLDER RING D360 F
26	Z8 18078	1	FILTER BLOCK TIE D360
29	Z8 17025	1	FILTER SEAL D360 BLACK

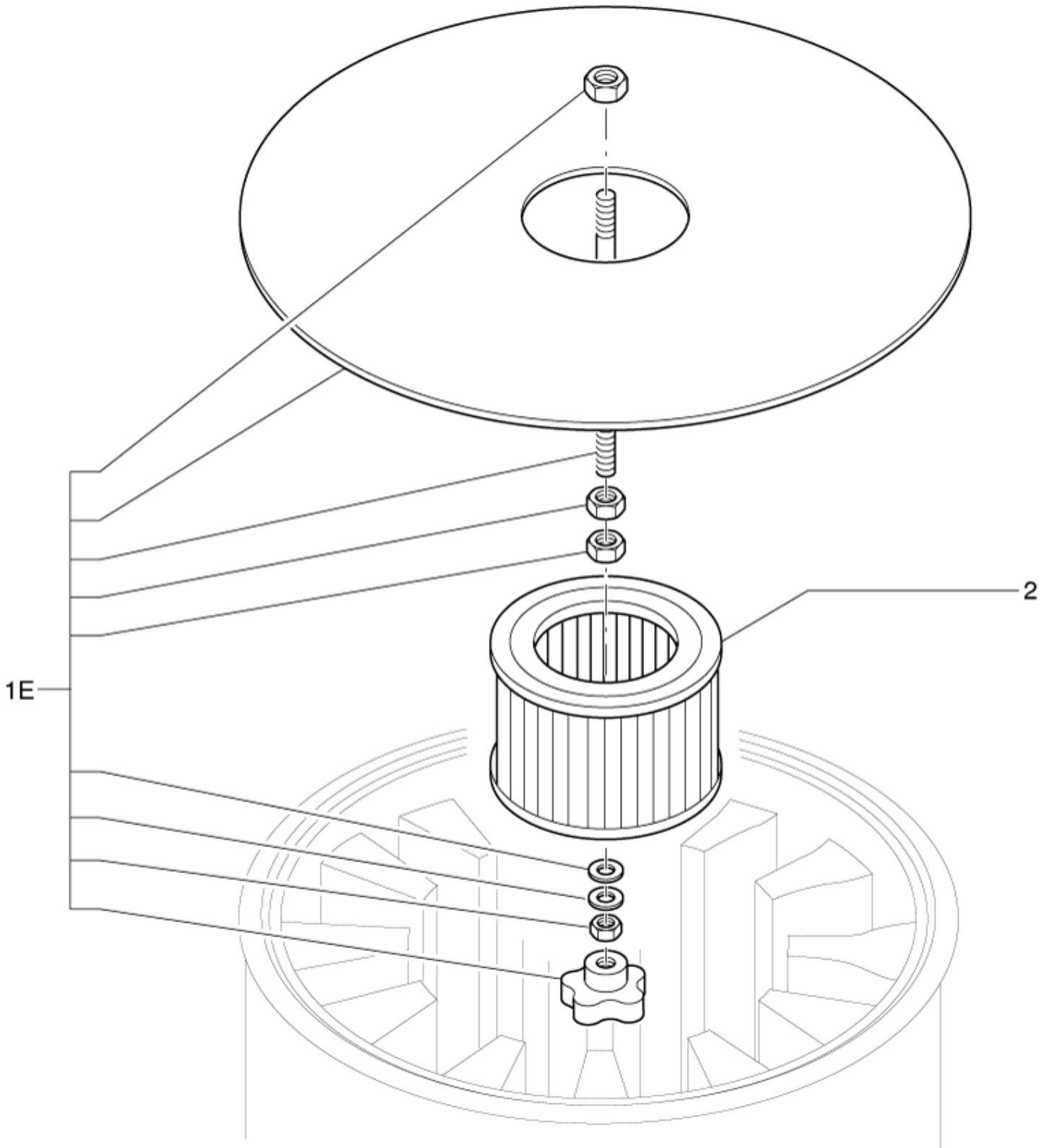
Absolute filter

A15

27-09-2012

Part List ID A1509

11



Absolute filter

A15

27-09-2012

Part List ID
A1509

12

Pos	Part no.	Qty	Description
2	Z8 17262	1	ABSOLUTE FILTER D360 x 15
1E	40000461	1	KIT ABSOLUTE FILTER SUPPORT FE
1E	40000462	1	KIT ABSOLUTE FILTER SUPPORT INOX