

Clemas & Co Ltd

Industrial Cleaning Equipment
Sales - Hire - Service

CT40 BT50 SCRUBBER DRYER PARTS MANUAL



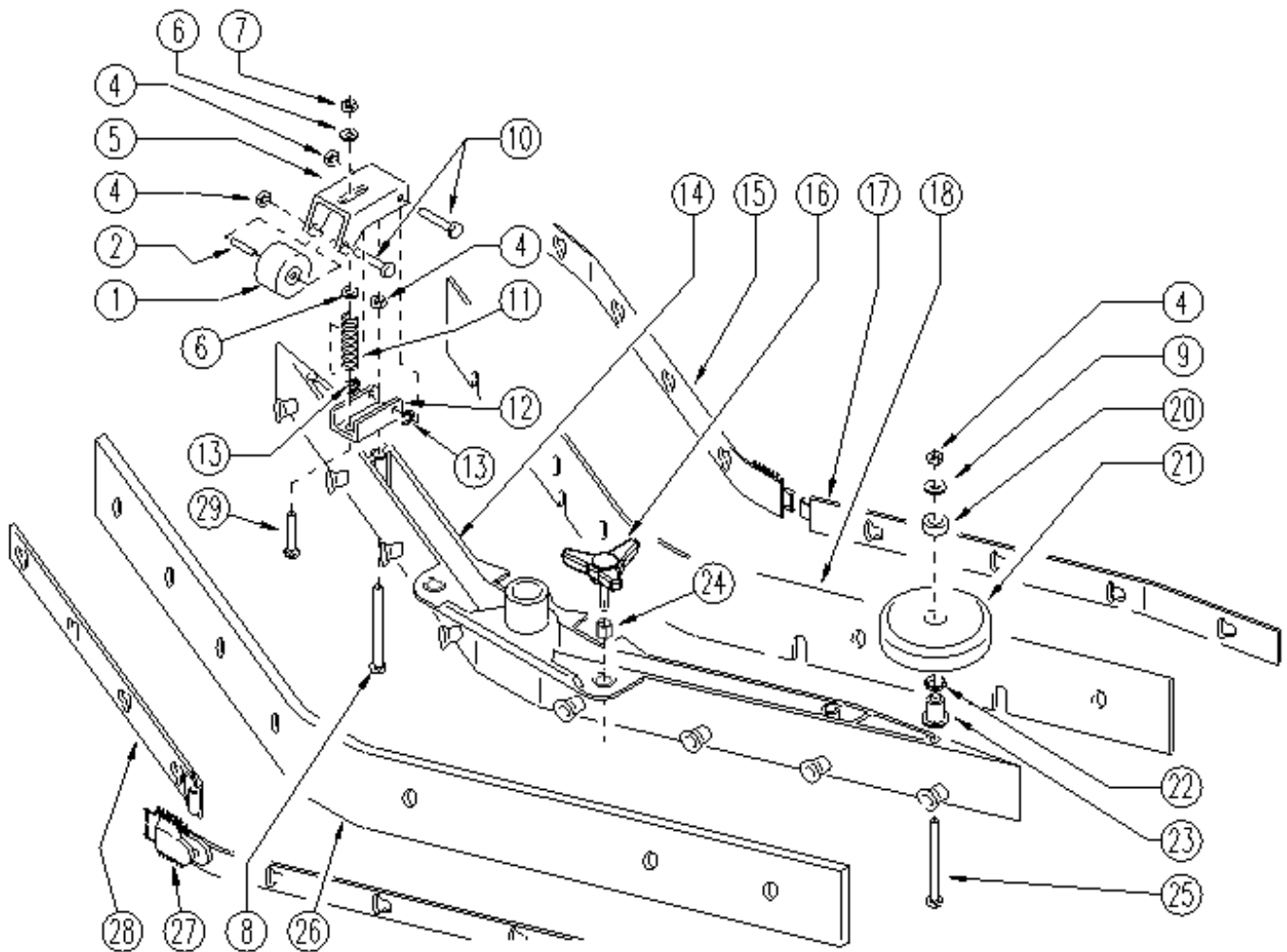
Clemas & Co. Unit 5 Ashchurch Business Centre, Alexandra Way, Tewkesbury,
Gloucestershire, GL20 8NB.

Tel: 01684 850777

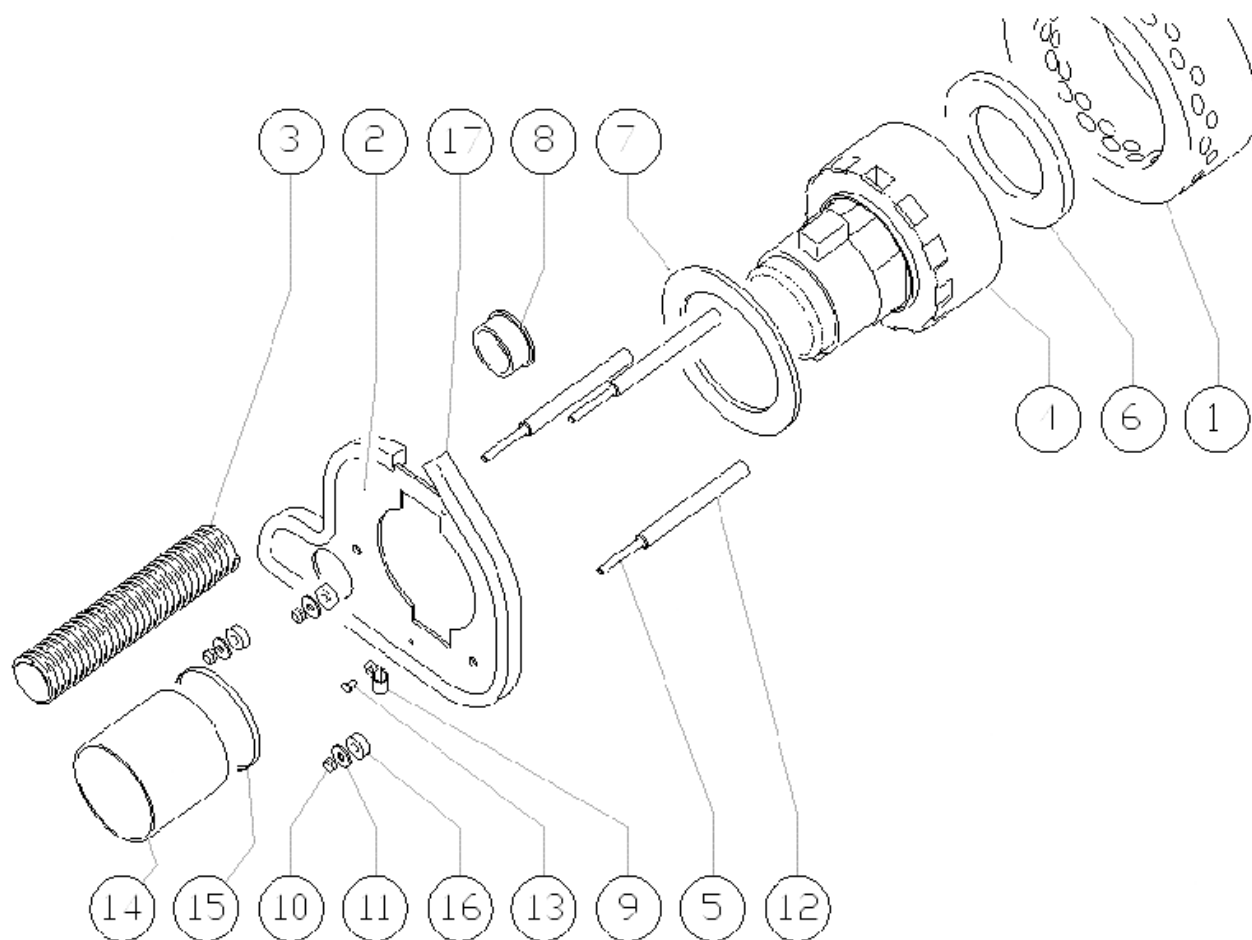
Fax: 01684 850707

Email: info@clemas.co.uk

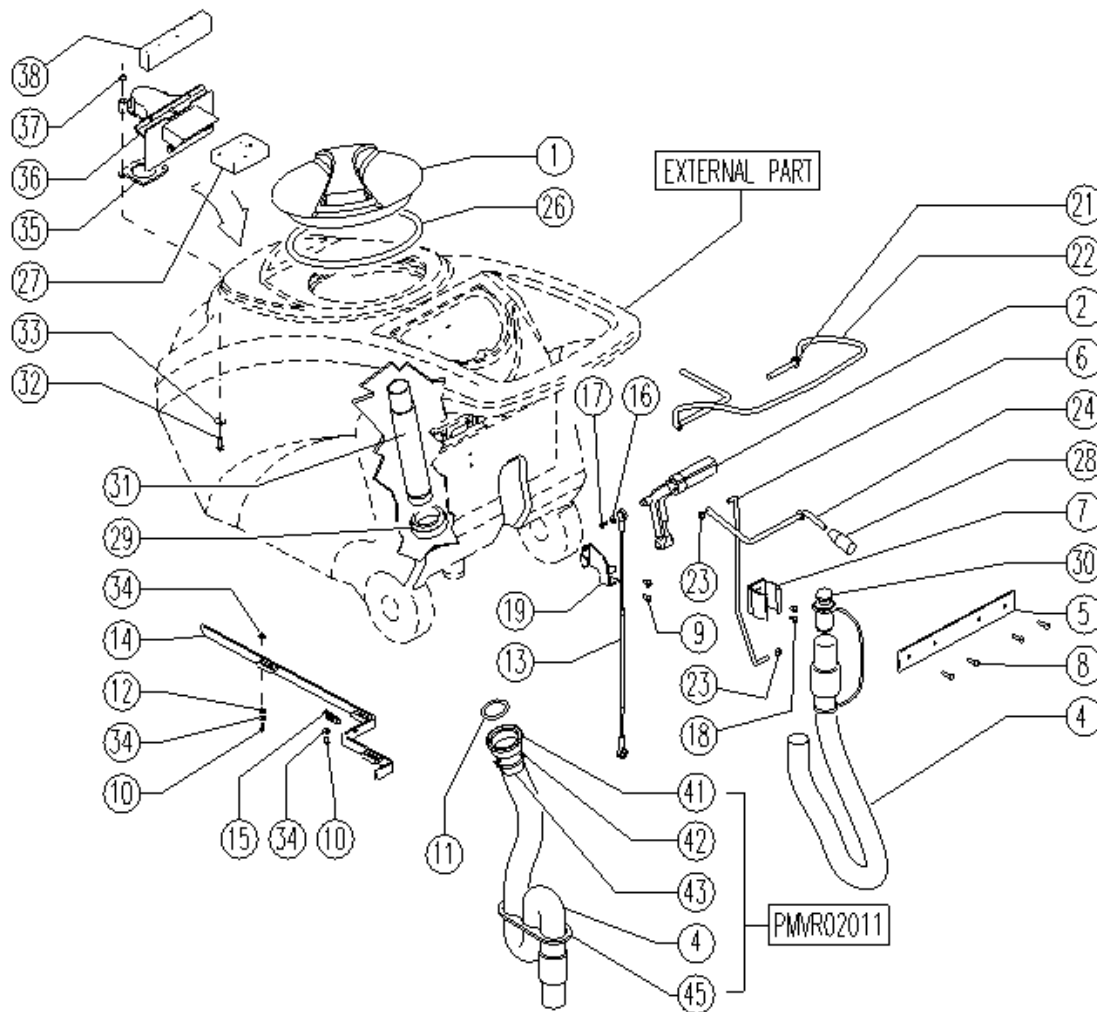
Web: www.clemas.co.uk



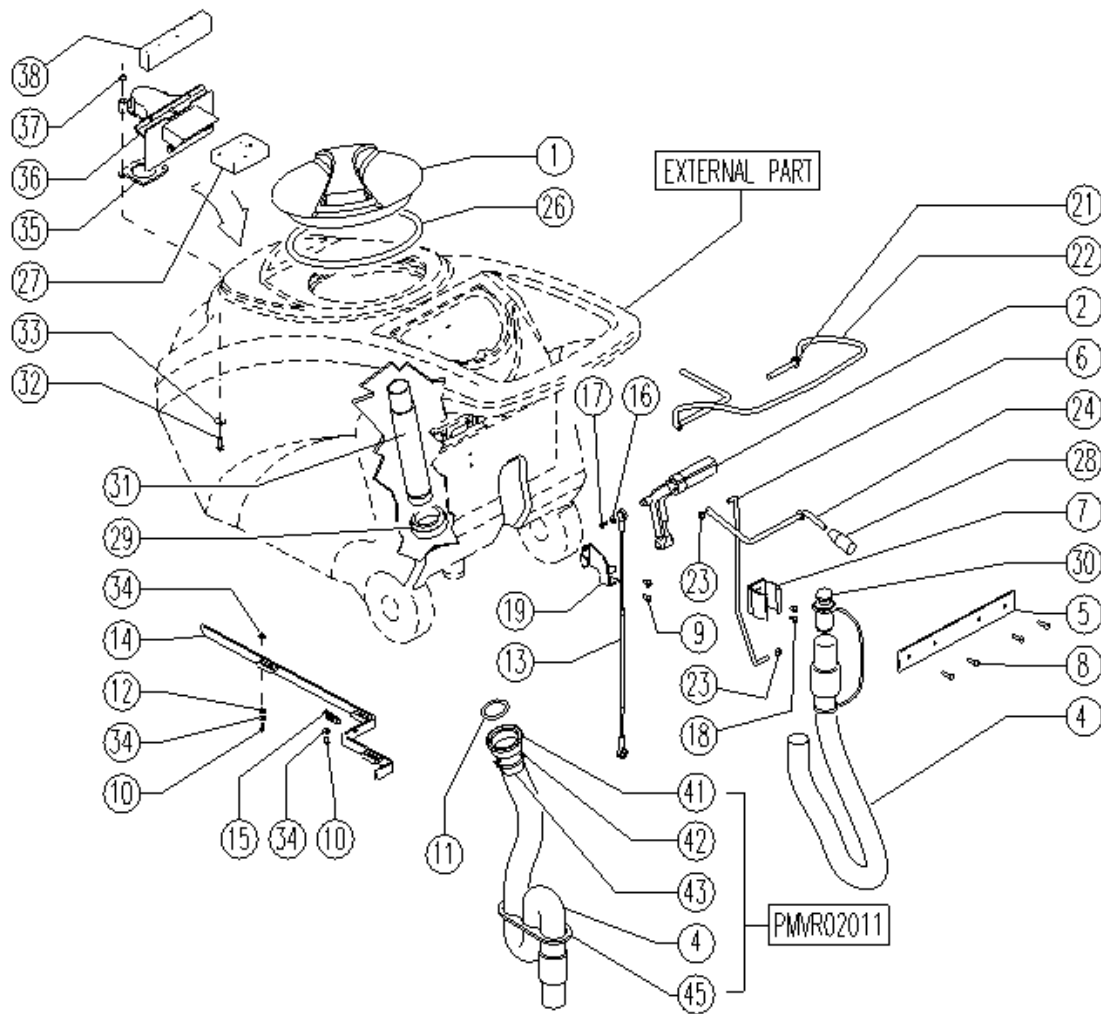
Ref.	K	Part N.	Customer Part N.	Description	Qty	Validity:		Price
						From	To	
0001		RTRT49413		WHEEL D. 60-D.15 X36 NYL.	2,00			--
0002		LAFN04041		SPACER D6/15	2,00			--
0004		VTDD01694		NUT M 6 INX	8,00			--
0005		LAFN05559		SUPPORT RUOTINO	2,00			--
0006		VTRS13947		WASHER D. 8 INX UNI 6592	4,00			--
0007		VTDD01695		NUT M 8 INX	2,00			--
0008		VTVT15142		SCREW TE M 6x45 INOX	2,00			--
0009		VTRS00245		WASHER D.6 UNI 6592 INOX	2,00			--
0010		VTVT15515		SCREW TE M 6X 50 INOX A2	4,00			--
0011		MLML49422		SPRING D.15X 45 X1	2,00			--
0012		LAFN51069		BRACKET SUPP.RUOTINO SQUEEGEE	2,00			--
0013		VTAE45707		CIRCLIP D. 6 UNI 7434 INOX	4,00			--
0014		KTRI02048		BODY SQUEEGEE PRESSOFUSO "S"	1,00			--
0015		LAFN51045		BRACKET S SQUEEGEE BLOCK LEFT	1,00			--
0016		MPVR05265		KNOB 8X25	2,00			--
0017		LAFN51044		LAMINATION BLOCCA LAMA ANTER.DX S	1,00			--
0018		MPVR45194		RUBBER BLADE LAV. 800 ANT.	1,00			--
0020		MPVR49229		BUSHING SHK	2,00			--
0021		MPVR05290		ROLLER PARACOLPI	2,00			--
0022		GUGO00164		GASKET	2,00			--
0023		LAFN04100		SPACER PER RUOTINO PARACOLPI	2,00			--
0024		VTVR00022		INSERT FILETTATO ESAGONALE M8	2,00			--
0025		VTVT17342		SCREW TE M 6X 60 UNI 5739 INX	2,00			--
0026		MPVR45195		RUBBER BLADE LAV. 800 PST.POL.	1,00			--
0027		LAFN49284		BLADE HOLDER POSTERIORE DX (S)	1,00			--
0028		LAFN49285		BLADE HOLDER POSTERIORE SX (S)	1,00			--
0029		VTVT01304		SCREW M 8X 40 TTQST UNI 5731	2,00			--



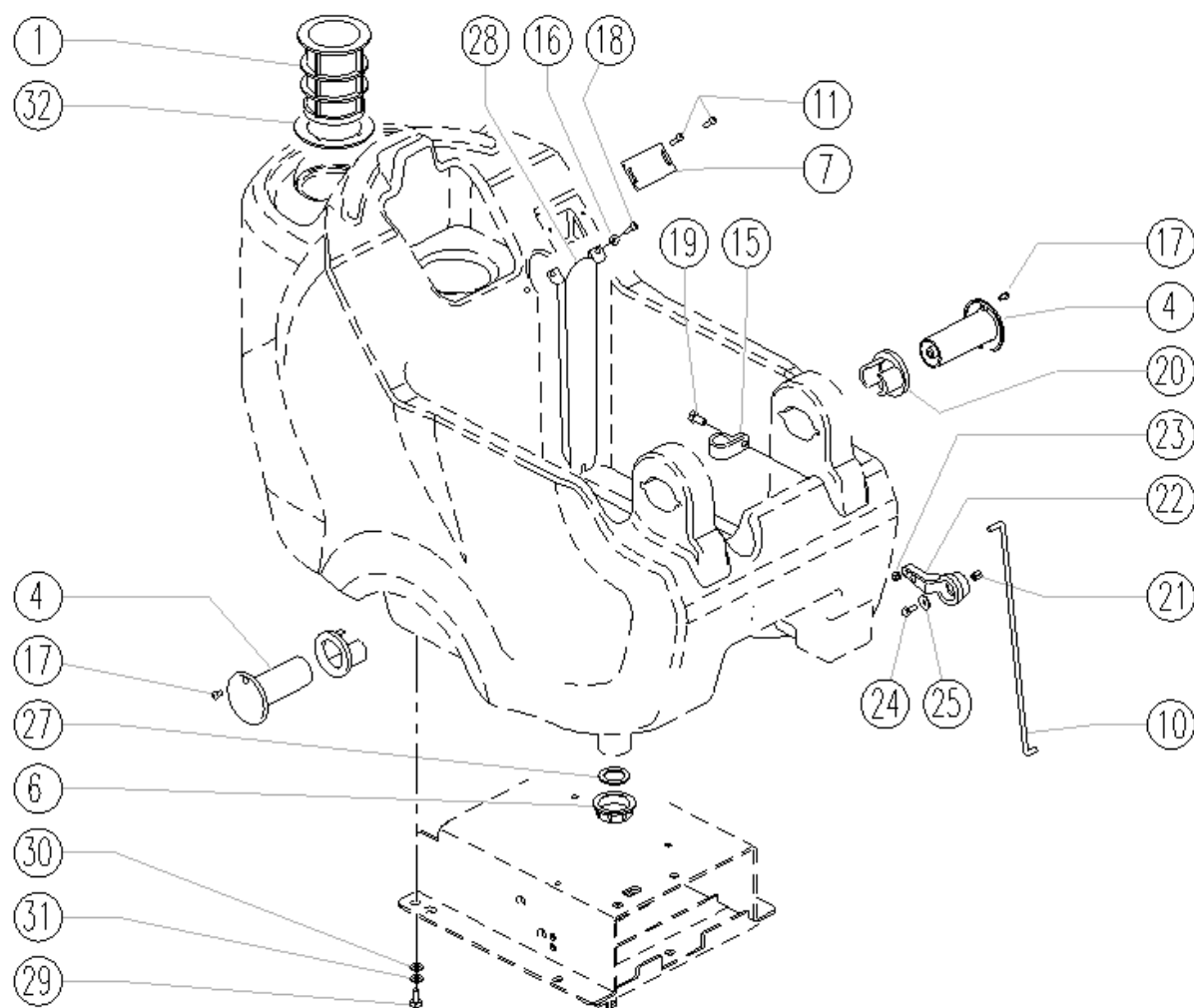
Ref. K	Part N.	Customer Part N.	Description	Qty	Validity:		Price
					From	To	
0001	MPVR01943		WASHER 35 FORI FIREFLEX	1,00	02/2004		--
0002	LAFN51067		FLANGE	1,00	02/2004		--
0003	TBFX00244		TUBE D 34 L200MM	1,00			--
0004	MOCC00253		MOTOR ASPIR.BIST.24V	1,00		11/2008	--
0004	MOCC00349		MOTOR ASPIR.BIST.24V	1,00	11/2008		--
0005	LAFN51086		CARRYNG BAG	3,00			--
0006	GUGO00272		GASKET	1,00	02/2004		--
0007	GUGO00231		PROTECTION RALLA L.330MM	1,00	04/2004		--
0008	MPVR31077		BUSHING L.450	1,00	02/2004		--
0009	FSVR00099		CLAMP FERMATUBO	1,00	02/2004		--
0010	VTDD01694		NUT M 6 INX	3,00	02/2004		--
0011	VTRS13945		WASHER D. 6X18 INX UNI 6593	3,00	04/2004		--
0012	LAFN51078		SPACER SH	3,00	05/2004		--
0013	VTVT00813		SCREW M 4X 8 TCB-TC UNI 8112	1,00			--
0014	TBFX00268		SUCTION HOSE D80 L=80MM	1,00			--
0015	FSVR00500		CLAMP 80-100 INOX	1,00	03/2004		--
0016	MPVR02632		RUBBER	3,00	04/2004		--
0017	GUGO00291		GASKET PARATIA MOTORE ASPIRAZ.	1,00			--



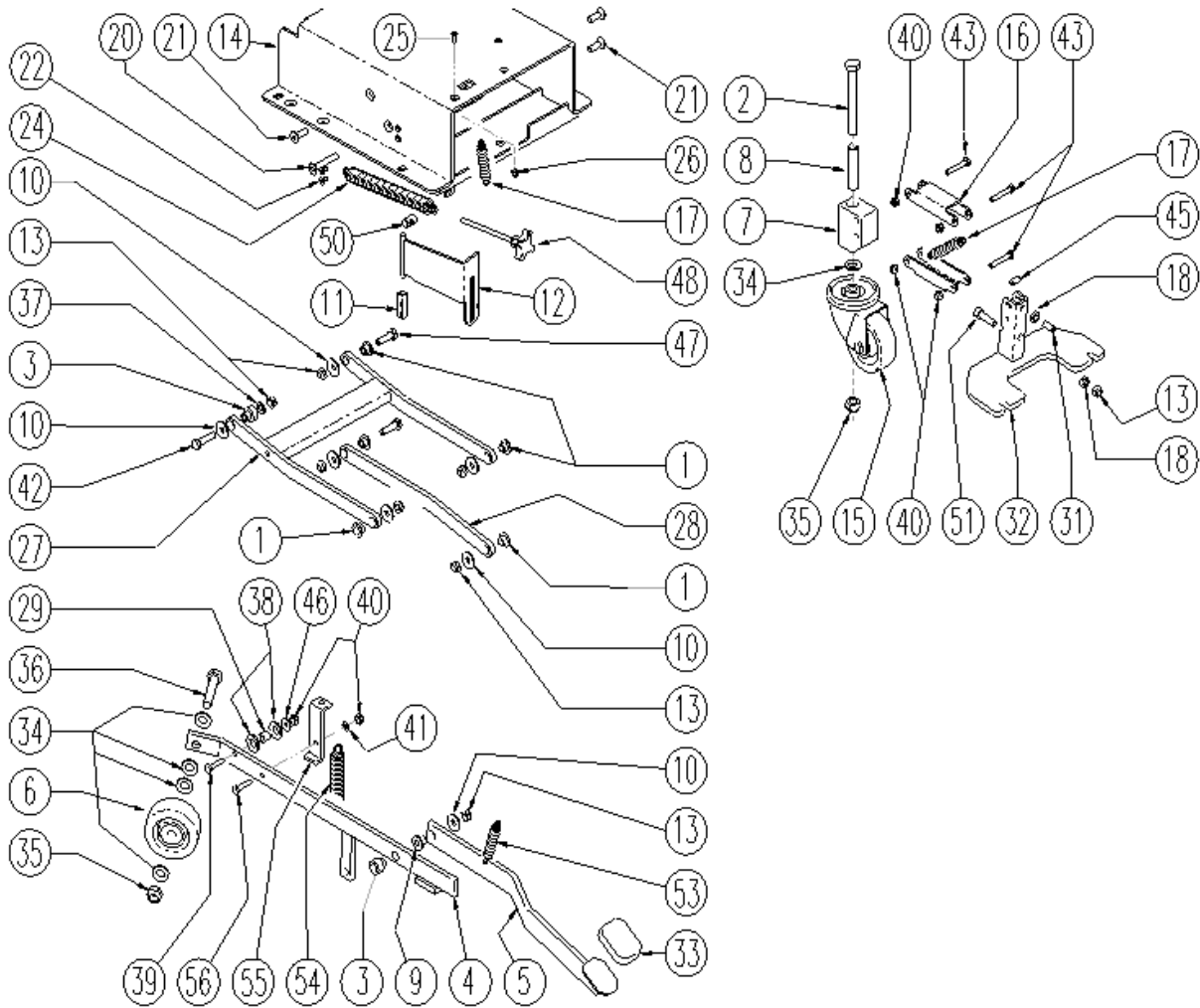
Ref.	K	Part N.	Customer Part N.	Description	Qty	Validity:		Price
						From	To	
0001		MPVR04051		TANK CAP	1,00	02/2004		--
0002		MPVR49942		LEVER SHK PP	1,00	02/2004		--
0004		TBFX00214		TUBE SCARICO	2,00	06/2004		--
0005		LAFN05865		PLATE COPRILEVA CONSENSO	1,00	02/2004		--
0006		LAFN05863		ROD RUBINETTO	1,00	02/2004		--
0007		MPVR46988		CLIP LAV. SHK	1,00	02/2004		--
0008		VTVT00651		SCREW TBEI M. 5x16 INOX	4,00	02/2004		--
0009		VTVT00640		SCREW TBEI M 6-12 INOX	2,00	02/2004		--
0010		VTVT01300		SCREW TE M5X12 INOX	4,00	06/2004		--
0011		GUGO00216		GASKET ACQUA SPORCA	1,00	05/2009		--
0011		GUGO00292		GASKET OR 6162	1,00		05/2009	--
0012		LAFN04040		BUSHING	3,00			--
0013		CMCV00312		CABLE SOLLEVAMENTO SQUEEGEE	1,00	02/2004		--
0014		LAFN05866		LEVER SGANCIO SERBATOI	1,00	02/2004		--
0015		MLML34726		SPRING TR E350 N	1,00			--
0016		VTRS00251		WASHER 4-16 INOX A2	1,00			--
0017		VTVT00800		SCREW TC 4X12 ZN	1,00	02/2004		--
0018		VTVT21096		SCREW TE M 4X 10 INX	2,00			--
0019		LAFN05870		BRACKET LEVA SOLLEVAM. SQUEEGEE	1,00	02/2004		--
0020		PMVR02012		GROUP TUBO TUBO INT. P197	1,00			--
0021		VTRS13947		WASHER D. 8 INX UNI 6592	2,00			--
0022		LAFN05861		LEVER CONSENSO SPAZZOLE	1,00	02/2004		--
0023		VTDD01694		NUT M 6 INX	2,00	02/2004		--
0024		LAFN05908		ROD COMANDO RUBINETTO	1,00	02/2004		--
0026		GUGO00263		GASKET CIRCOLARE TAPPO	1,00	02/2004		--
0027		FTDP00133		FILTER	1,00	03/2004		--
0028		MPVR04146		KNOB IN PVC MOD. 1001 FORO D.6	1,00	03/2004		--
0029		MPVR04716		RING NUT 1"1/2	1,00			--
0030		MPVR05064		CAP COMPLETO	1,00			--
0031		MPVR51086		TUBE INT.SERB.RECUP.	1,00			--
0032		VTVT00814		SCREW TE M.4-25	2,00			--
0033		VTRS00515		WASHER D. 4 INX	2,00	02/2004		--
0034		VTRS13750		WASHER D. 5X14 INX	7,00			--
0035		GUGO00417		GASKET SCATOLA ASPIRAZIONE	1,00			--
0036		FTDP00185		BOX ASPIRAZIONE	1,00		01/2009	--
0036		MPVR05482		BOX -	1,00	01/2009		--
0037		VTDD15925		NUT M 4 INX	2,00			--
0038		GUGO00418		GASKET CONDOTTO ASPIRAZIONE	1,00			--
0041		RCVR00504		CONNECTOR DRITTO FEMM.	1,00	04/2004		--



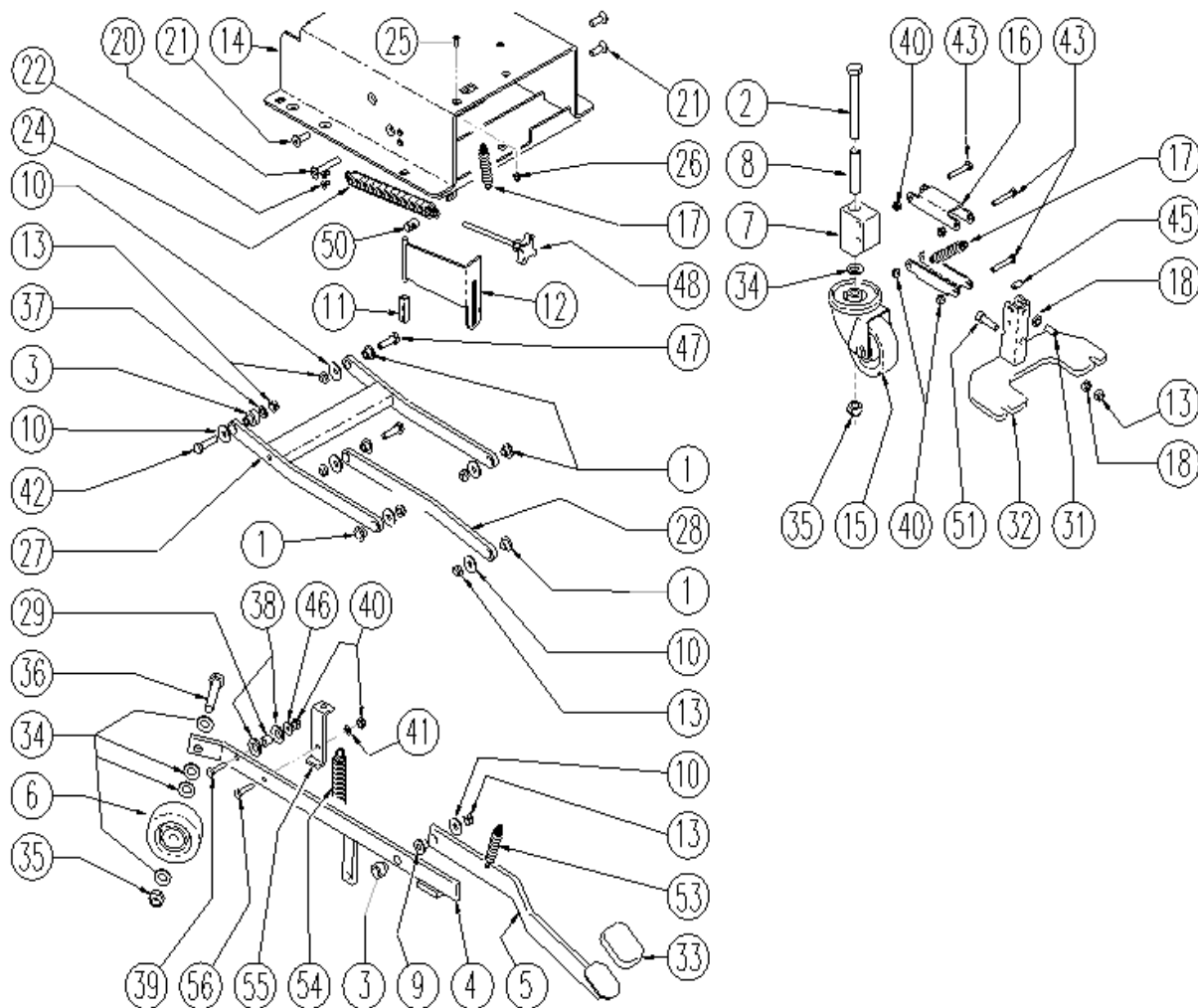
Ref.	K	Part N.	Customer Part N.	Description	Qty	Validity:		Price
						From	To	
0042		FSVR43136		CLAMP D. 35-40 DF.	1,00	06/2004		--
0043		MPVR02765		PROTECTION INNESTO FISSAGGIO	1,00	06/2004		--
0045		MPVR02730		PLATE SIFONE	1,00	06/2004		--



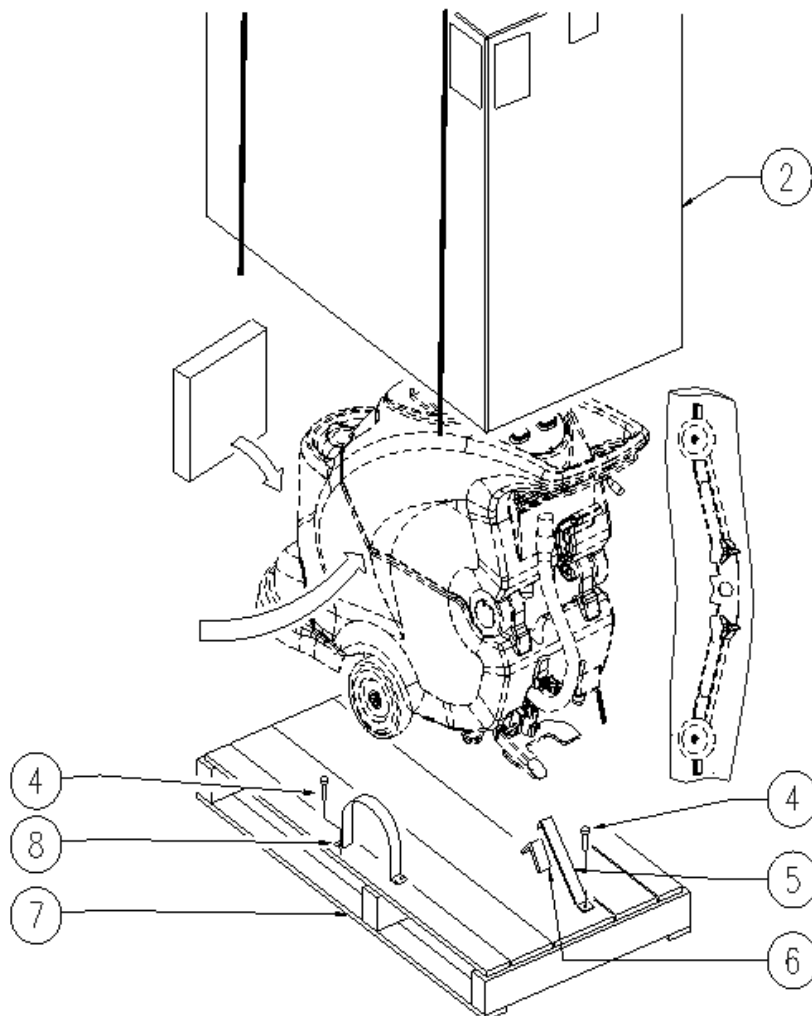
Ref.	K	Part N.	Customer Part N.	Description	Qty	Validity:		Price
						From	To	
0001		FTAC48857		FILTER ASP. ACQUA SERB. LAVAP.	1,00	02/2004		--
0003		STVV00562		TANK ALLUMINIO	1,00			--
0004		MPVR48695		PIN SHK.BK	2,00	02/2004		--
0006		MPVR04931		CAP SCARICO	1,00			--
0007		LAFN05867		PLATE REGOLAZIONE SBLOCCO	1,00	02/2004		--
0010		LAFN05862		ROD RUBINETTO	1,00	02/2004		--
0011		VTVT00651		SCREW TBEI M. 5x16 INOX	2,00			--
0015		FSVR00099		CLAMP FERMATUBO	2,00			--
0016		VTRS00515		WASHER D. 4 INX	2,00			--
0017		VTVT00754		SCREW TC+ M. 4-10	4,00			--
0018		VTVT37012		SCREW M 4X 10 TCB-TC INX	2,00			--
0019		VTVT15961		SCREW M 5X 16 TCB TC UNI 7687	1,00			--
0020		PMVR02028		RUBBER GRUPPO MONTAGGIO	2,00			--
0021		VTVR48693		INSERT M6 D.9	1,00	02/2004		--
0022		MPVR49471		LEVER SHK	1,00	02/2004		--
0024		VTVT15143		SCREW TE 6X16 UNI5739	1,00	02/2004		--
0025		VTRS13945		WASHER D. 6X18 INX UNI 6593	1,00	02/2004		--
0027		GUGO00416		GASKET TAPPO SCARICO SERB.	1,00			--
0028		MPVR51085		FLAP POSTER.TERGI 950 MAGG.	1,00			--
0029		VTVT15916		SCREW TE M 8X 16 UNI 5739 A2	4,00	03/2004		--
0030		VTRS13947		WASHER D. 8 INX UNI 6592	4,00	03/2004		--
0031		VTRS00269		WASHER D. 8 DIN 6798-A INX A2	4,00	03/2004		--
0032		GUGO00267		GASKET FILTRO	1,00	03/2004		--



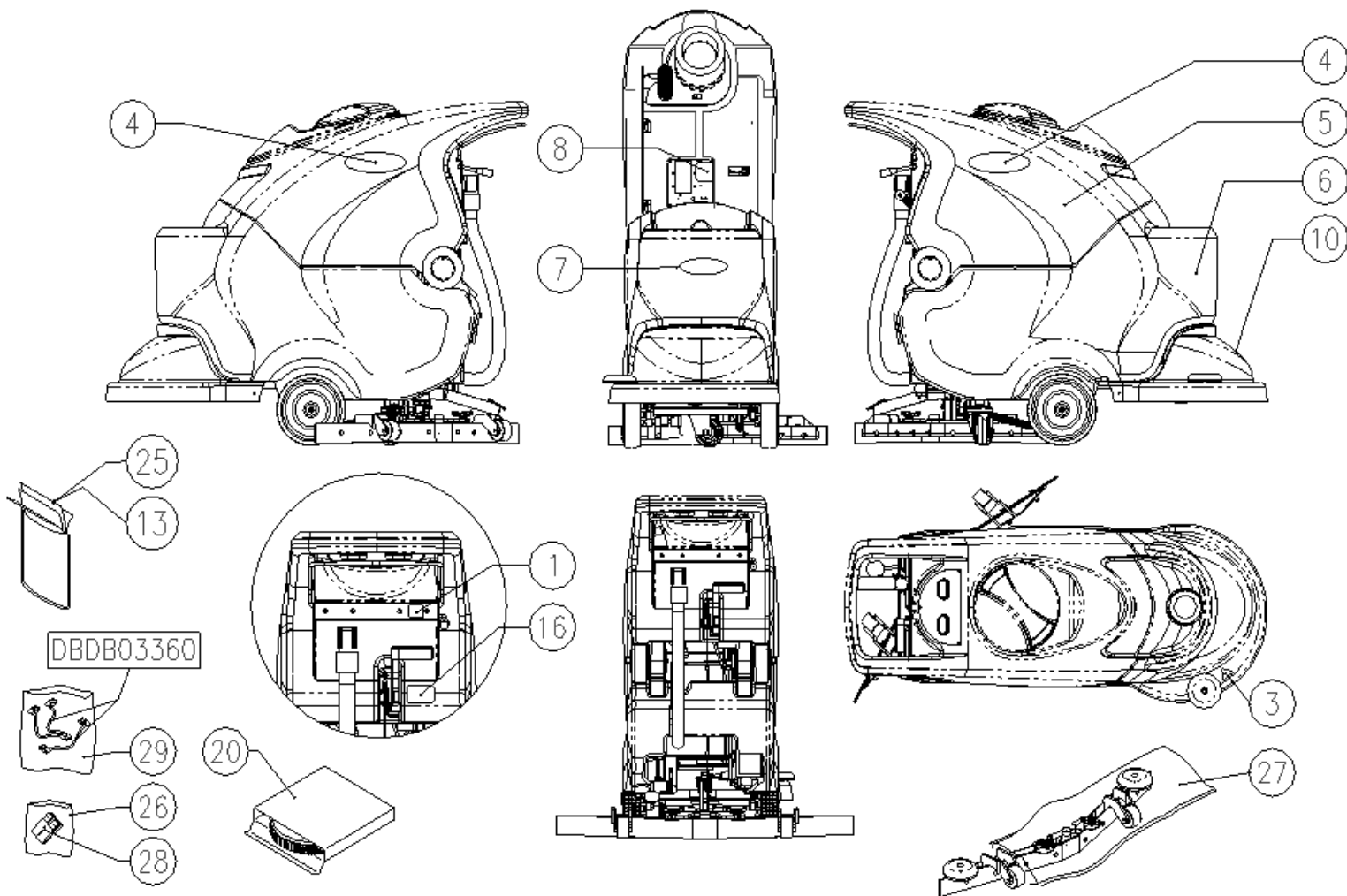
Ref.	K	Part N.	Customer Part N.	Description	Qty	Validity:		Price
						From	To	
0001		LAFN04170		BUSHING PARALLELOGR. TESTATA	5,00	01/2004	--	--
0002		VTVT24212		SCREW TE M 12X100 UNI 5737 INOX	1,00	02/2004	--	--
0003		LAFN04190		BUSHING PARALLELOGR.TEST.GR.	2,00	02/2004	--	--
0004		LAFN05864		LEVER SOLLEVAM.TESTATA ANTER.	1,00	02/2004	--	--
0005		LAFN05857		LEVER SOLLEVAMENTO TESTATA	1,00	02/2004	--	--
0006		RTRT49171		CASTER D. 80-12	1,00	02/2004	--	--
0007		LAFN51036		SUPPORT TERGI	1,00	02/2004	--	--
0008		LAFN04188		PIN ROTAZIONE SQUEEGEE	1,00	02/2004	--	--
0009		LAFN51068		BUSHING LEVA POSTER.	1,00	02/2004	--	--
0010		VTRS13946		WASHER D. 8 X24 INX UNI 6593	7,00	02/2004	--	--
0011		LAFN05939		BRACKET SUPPORTO SELETTORE P197	1,00	02/2004	--	--
0012		LAFN05928		SELECTOR	1,00	02/2004	--	--
0013		VTDD01695		NUT M 8 INX	8,00	02/2004	--	--
0014		LAFN06351		BASE SERBATOIO	1,00	02/2004	--	--
0015		RTRT00276		SMALL WHEEL GIREVOLE PER SPAZZANTE	1,00	02/2004	--	--
0016		LAFN05853		LEVER ARM SOLLEVAMENTO TERGI	2,00	02/2004	--	--
0017		MLML00209		SPRING RITORNO SQUEEGEE	1,00	02/2004	--	--
0018		VTDD15521		NUT M 8 INX A2 UNI 5588	2,00	02/2004	--	--
0020		VTVT24413		SCREW VITE TSPEI M.8-50 UNI5933	1,00	02/2004	--	--
0021		VTVT00781		SCREW TSPEI M.8-25	3,00	02/2004	--	--
0022		VTVT17721		SCREW M 5X10 TSPEI	2,00	02/2004	--	--
0024		MLML31130		SPRING D. 17.5 X110 N38	1,00	02/2004	--	--
0025		VTVT00817		SCREW TE M4x12 UNI 5739 INOX	1,00	05/2004	--	--
0026		VTDD15925		NUT M 4 INX	1,00	02/2004	--	--
0027		LAFN05858		ARM TESTATA SUPERIORE	1,00	02/2004	--	--
0028		LAFN05855		ARM PARALLELOGRAMMA SINGOLO	1,00	02/2004	--	--
0029		LAFN35621		SPACER LAV.	1,00	02/2004	--	--
0031		VTVT00908		GRUB SCREW M.8-25 PIANO	1,00	02/2004	--	--
0032		LAFN05859		PLATE SQUEEGEE	1,00	02/2004	--	--
0033		MPVR04139		RUBBER PEDALINO	1,00	02/2004	--	--
0034		VTRS00312		WASHER D.13 x24 INOX	5,00	02/2004	--	--
0035		VTDD00176		NUT M.12 INOX A2 BASSO AUTOB.	2,00	02/2004	--	--
0036		VTVT00836		SCREW TE M12-60 INOX	1,00	02/2004	--	--
0037		VTRS13947		WASHER D. 8 INX UNI 6592	1,00	02/2004	--	--
0038		VTRS43258		WASHER D.13X24 X2.5 NYL UNI6592	2,00	02/2004	--	--
0039		VTVT00701		SCREW TE M.6-30	1,00	02/2004	--	--
0040		VTDD01694		NUT M 6 INX	6,00	05/2004	--	--
0041		VTRS00245		WASHER D.6 UNI 6592 INOX	1,00	05/2004	--	--
0042		VTVT00410		SCREW TE M8x35 UNI5739 INOX	1,00	02/2004	--	--



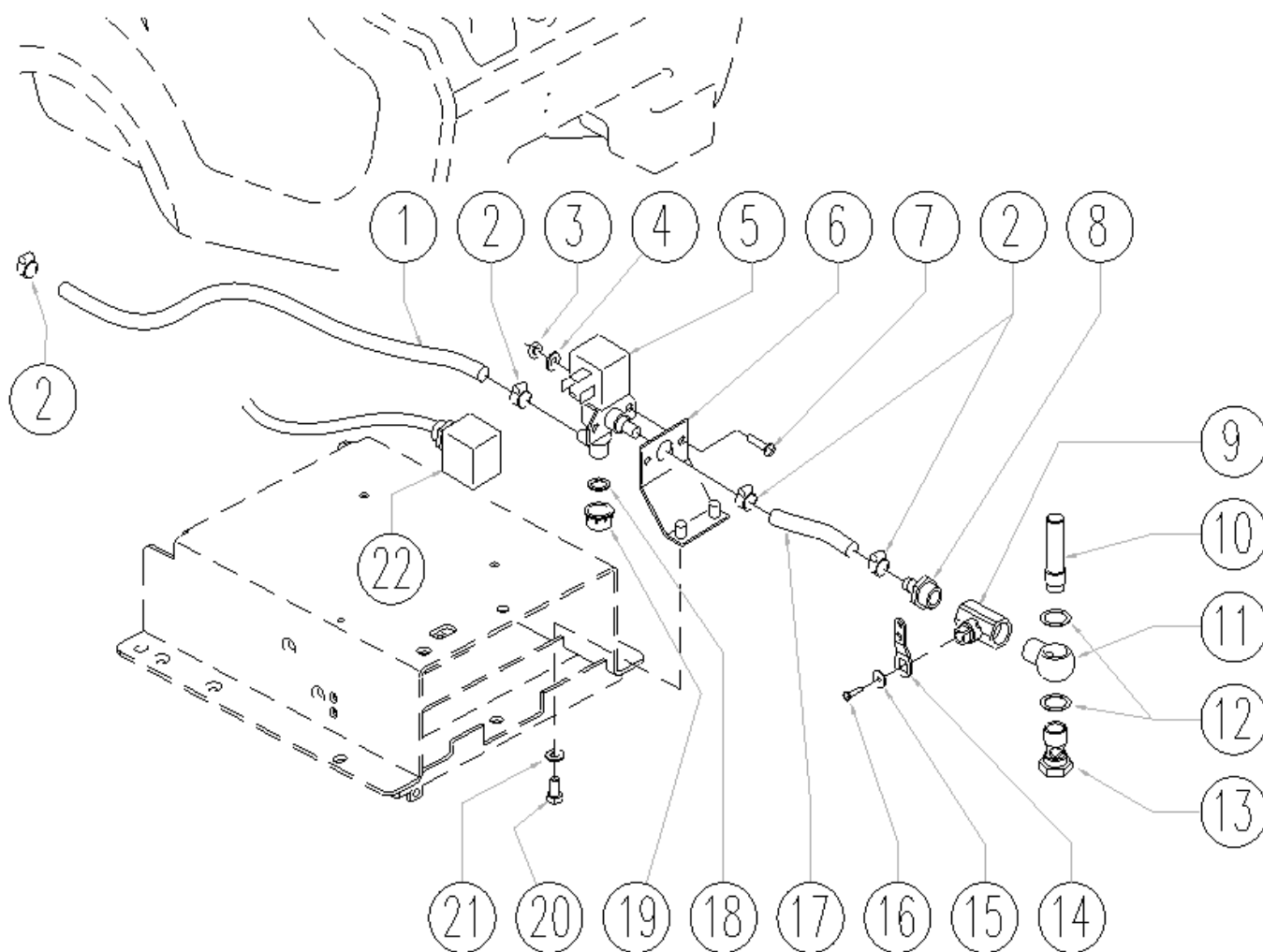
Ref.	K	Part N.	Customer Part N.	Description	Qty	Validity:		Price
						From	To	
0043		VTVT15145		SCREW TE 6X40 UNI5739 INX	4,00	02/2004		--
0045		LAFN03742		SPACER SILENZIATORE	1,00	05/2004	06/2008	--
0045		LAFN06898		SPACER 6-8 h15	1,00	06/2008		--
0046		VTRS13945		WASHER D. 6X18 INX UNI 6593	1,00	02/2004		--
0047		VTVT13937		SCREW TE M 8X 30 INX UNI 5739	2,00			--
0050		LAFN35747		SPRING SUPPORT LAV. E/B 450	1,00	02/2004		--
0051		VTVT00822		SCREW TCEI M 8-30	1,00	02/2004		--
0052		MLML34726		SPRING TR E350 N	1,00			--
0053		MLML00209		SPRING RITORNO SQUEEGEE	1,00	02/2004		--
0055		LAFN51075		BRACKET MOLLA	1,00	04/2004		--
0056		VTVT13939		SCREW TE 6X20 UNI5739 INX	1,00	04/2004		--



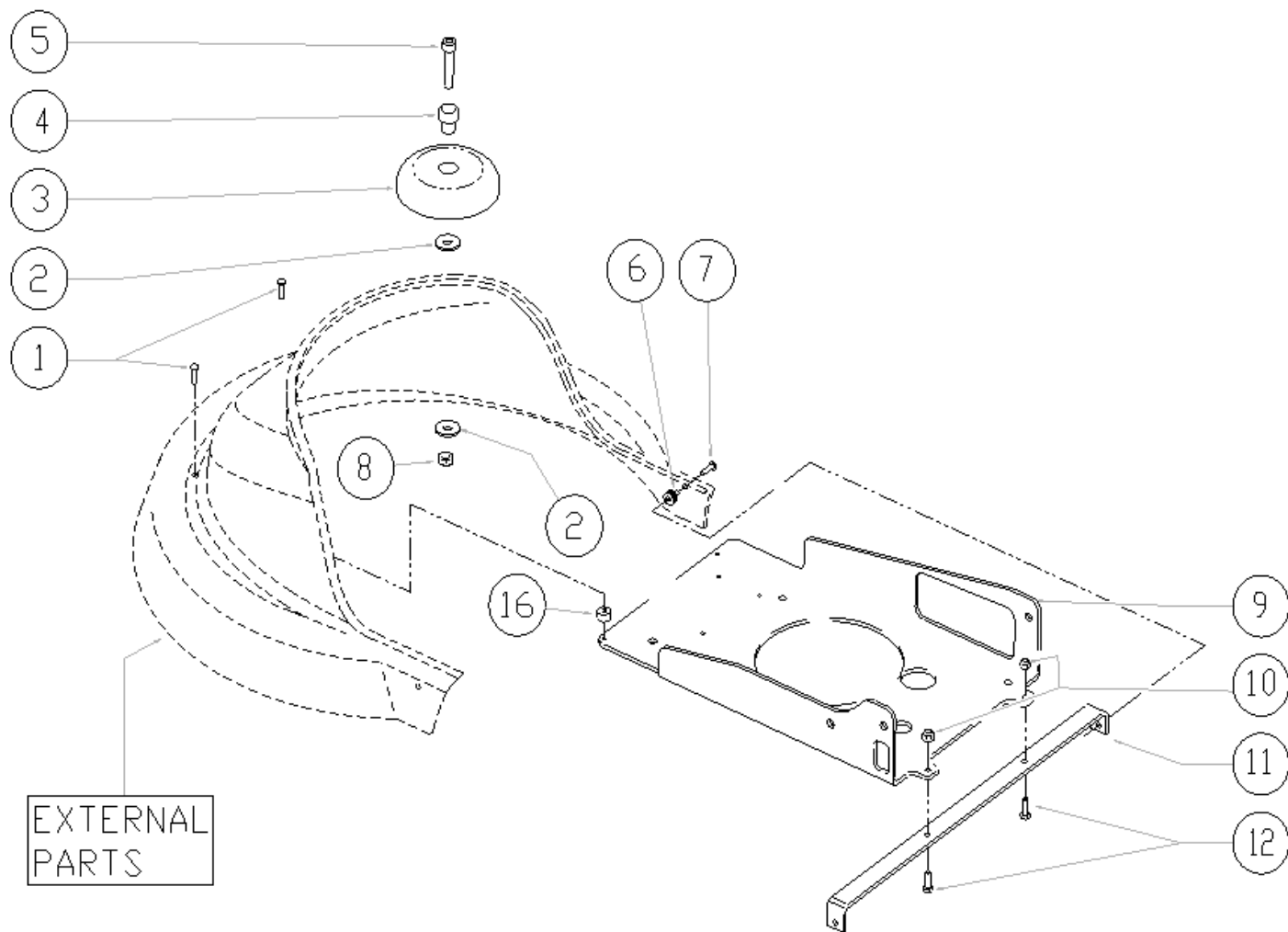
Ref.	K	Part N.	Customer Part N.	Description	Qty	Validity:		Price
						From	To	
0002		MICT00147		CARTON IMBALLO RULLI	1,00			--
0004		VTVT00043		SCREW AUTOF.LEGNO 4,5X25 TS BR	9,00			--
0005		MIVR00137		CLAMP RUOTA POSTERIORE X IMBAL.	1,00			--
0006		GUGO00009		MOUSSE	0,05			--
0007		MIBA00077		PALLET RULLI	1,00			--
0008		MIVR00135		CLAMP RUOTA POSTERIORE X IMBAL.	2,00			--



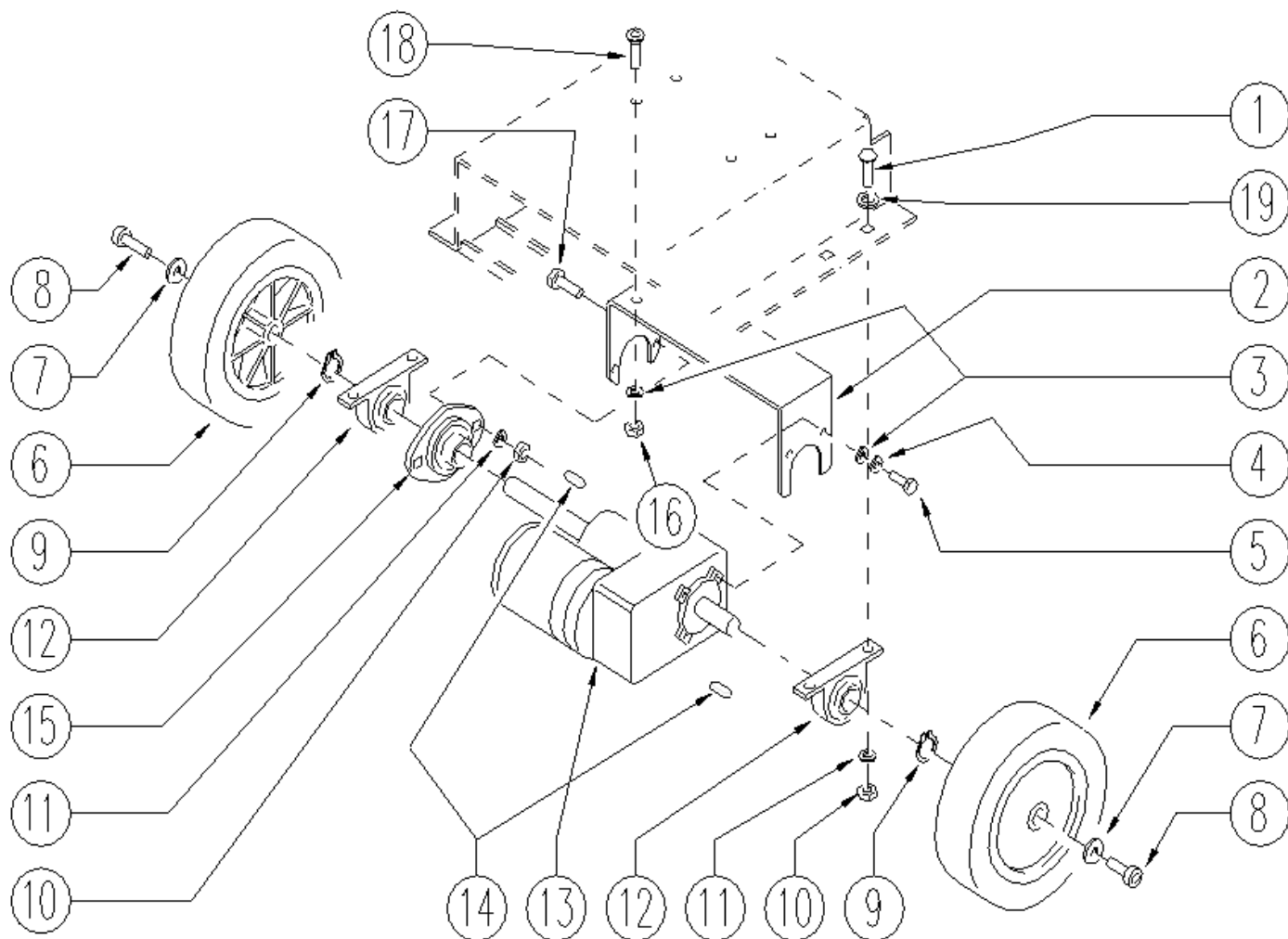
Ref.	K	Part N.	Customer Part N.	Description	Qty	Validity:		Price
						From	To	
0001		ETET01447		LABEL	1,00			--
0003		ETET01014		ADHESIVE ATTENZ.ABRAS.ARTI	1,00	03/2004		--
0004		ETET01364		LABEL LATERALE	2,00	03/2004		--
0005		MPVR04111		TANK RECUP.	1,00	02/2004		--
0006		MPVR04108		TANK SOLUZ.	1,00	02/2004		--
0007		ETET02000		LABEL LOGO IPC	1,00	03/2004		--
0008		ETET00763		LABEL SIMBOLO FUSIBILI	1,00	03/2004		--
0010		MPVR04120		BRUSH PROTECT.	1,00			--
0013		PLDC01423		MANUAL	1,00	03/2004		--
0016		ETET01407		PLATE APERTURA SERBATOIO	1,00			--
0020		SPPV43963		BRUSH NYL 0.8 500	1,00	03/2004		--
0025		PLDC01450		MANUAL RIC. CLT40	1,00	03/2004		--
0026		MIVR00072		ENVELOPE PLASTICA TRASP.	1,00	03/2004		--
0027		MIVR00048		TUBE UNIBOL	1,00	03/2004		--
0028		MEVR01079		PLUG M CB50 A 600V RD.	1,00	03/2004		--
0029		MIVR00064		ENVELOPE PORTA CABLAGGI	1,00			--



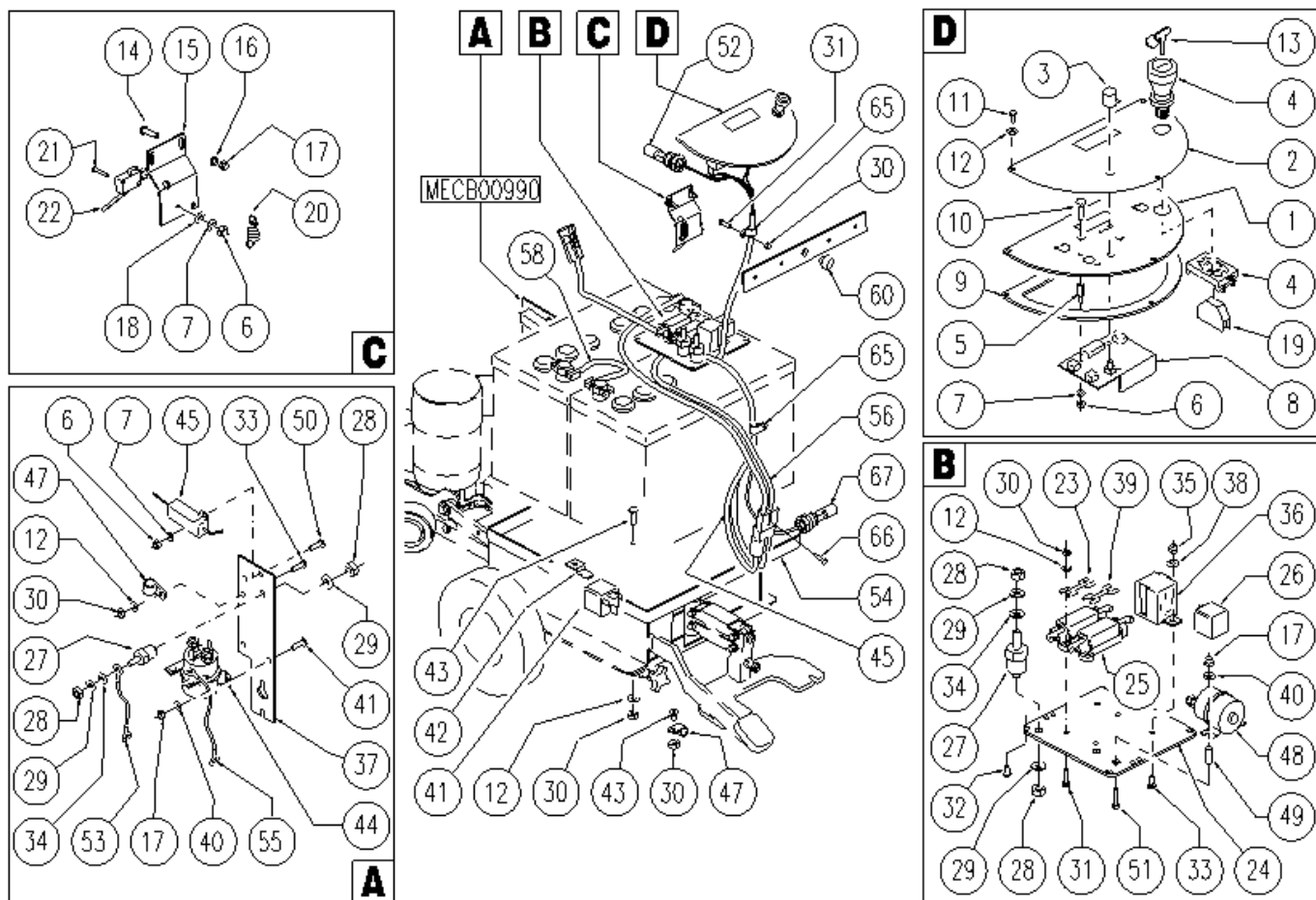
Ref. K	Part N.	Customer Part N.	Description	Qty	Validity:		Price
					From	To	
0001	TBBP00354		TUBE ARMORVIN	1,00			--
0002	FSVR00096		CLAMP 10-16 INOX	4,00			--
0003	VTDD15925		NUT M 4 INX	2,00			--
0004	VTRS00515		WASHER D. 4 INX	2,00			--
0005	MEEV00018		SOLENOID VALVE	1,00			--
0006	LAFN51088		PLATE ELETTRORVALVOLA	1,00			--
0007	VTVT00704		SCREW TE M 4X 16 UNI5739 INOX	2,00			--
0008	RCVR00536		CONNECTOR PORTAG.	1,00			--
0009	RCGR00065		TAP F/F 1/2"	1,00			--
0010	FTAC00036		FILTER IN RETE	1,00			--
0011	RCDS49622		CONNECTOR OCC 1/2 - 1/2M	1,00			--
0012	GUVR00213		WASHER GOMMA	2,00			--
0013	RCDS49623		SCREW G 1/2 L=41.5	1,00			--
0014	LAFN05902		LEVER RUBINETTO	1,00			--
0015	VTRS00251		WASHER 4-16 INOX A2	1,00			--
0016	VTVT00633		SCREW M 3X 20 TCB-TC BK.U.7687	1,00			--
0017	TBFX49101		TUBE FLEX D.34 CPL.SHK	1,00			--
0018	GUGO00268		GASKET D.21 SP.3 GOMMA	1,00			--
0019	RCVR00353		CAP 1/2"G X ELETTROV. ACL	1,00			--
0020	VTVT00817		SCREW TE M4x12 UNI 5739 INOX	2,00			--
0021	VTRS15913		WASHER D. 4 GROVER A2 UNI1751	2,00			--
0022	MECB00916		WIRING ELETTRORVALVOLA	1,00			--
0023	RCVR00543		CONNECTOR A GOMITO	1,00			--



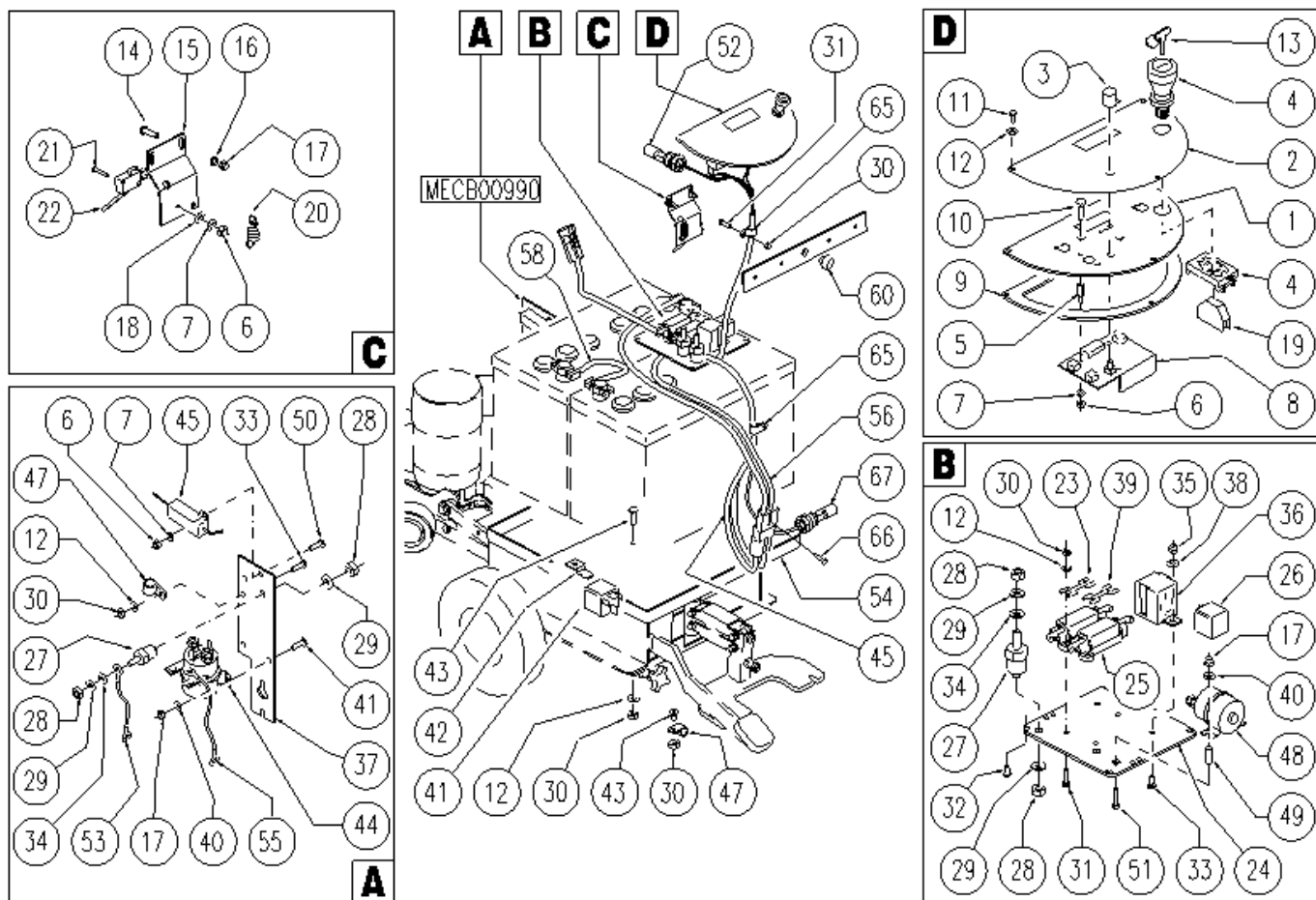
Ref.	K	Part N.	Customer Part N.	Description	Qty	Validity:		Price
						From	To	
0001		VTVT01365		SCREW M4X20	2,00			--
0002		VTRS13946		WASHER D. 8 X24 INX UNI 6593	2,00			--
0003		MPVR05290		ROLLER PARACOLPI	1,00	04/2008		--
0003		RTRT43370		CASTER D.100 2V.	1,00		04/2008	--
0004		LAFN03915		BUSHING NUOVO RUOTINO STRONG	1,00			--
0005		VTVT00822		SCREW TCEI M 8-30	1,00	06/2009		--
0005		VTVT17349		SCREW TCEI M 8X30	1,00		06/2009	--
0006		MEVR01281		SPACER	2,00			--
0007		VTVT01366		SCREW M4X16	2,00			--
0008		VTDD01695		NUT M 8 INX	1,00			--
0009		LAFN05854		PLATE SOSTEGNO RIDUTTORE	1,00			--
0010		VTDD15518		NUT M 6 INX	2,00			--
0011		LAFN05899		SUPPORT BRACKET CARTER 1 EXTREME	1,00			--
0012		VTVT15143		SCREW TE 6X16 UNI5739	2,00			--
0016		LAFN04039		THICKNESS	1,00			--



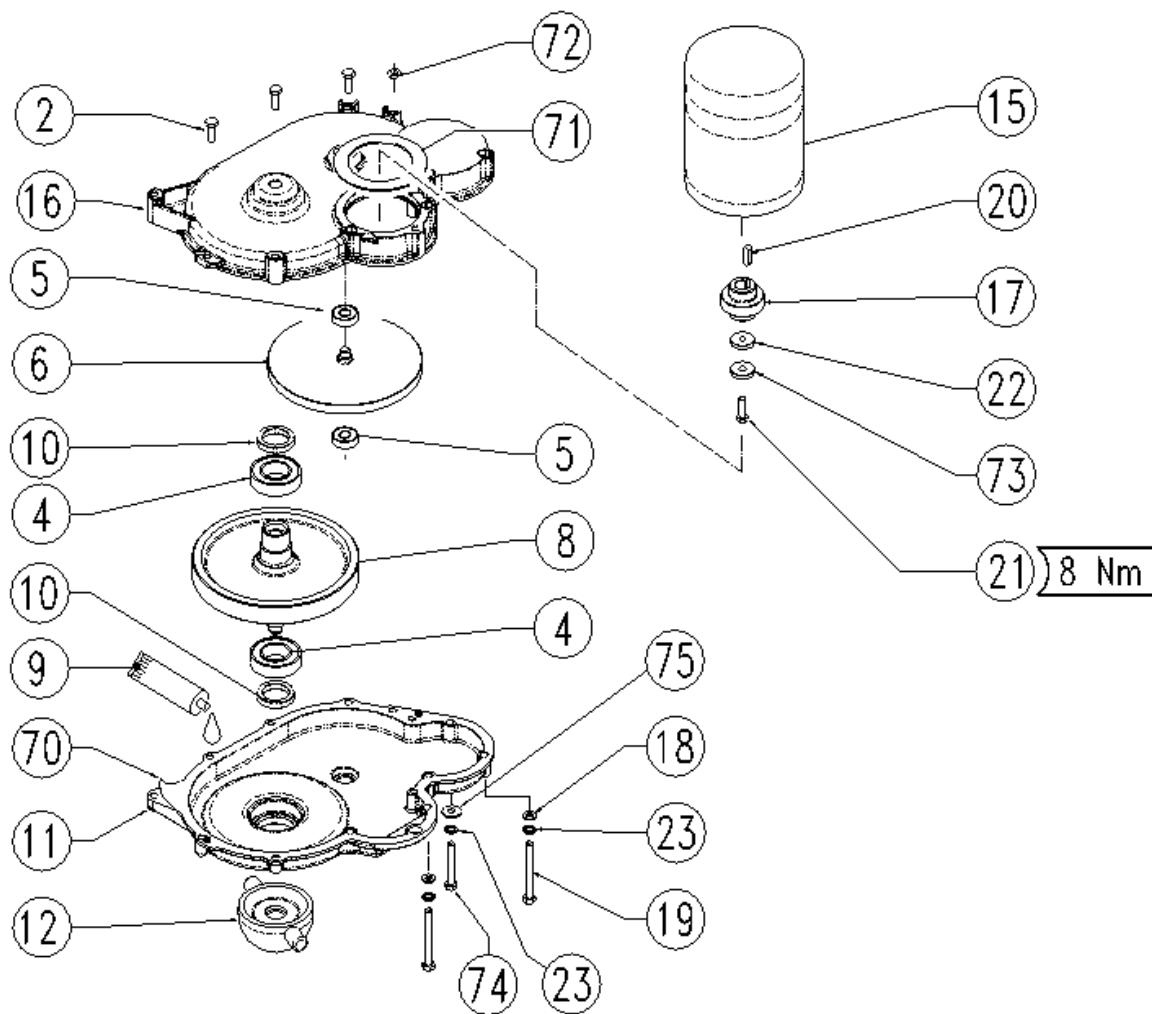
Ref. K	Part N.	Customer Part N.	Description	Qty	Validity:		Price
					From	To	
0001	VTVT00842		SCREW	4,00			--
0002	LAFN06291		SUPPORT MORIDUTTORE CT40	1,00			--
0003	VTRS00245		WASHER D.6 UNI 6592 INOX	6,00			--
0004	VTRS15144		WASHER D. 6 INX GRW UNI 1751	2,00			--
0005	VTVT13939		SCREW TE 6X20 UNI5739 INX	2,00			--
0006	RTRT00503		WHEEL CT40	2,00			--
0007	VTRS13946		WASHER D. 8 X24 INX UNI 6593	2,00			--
0008	VTVT01302		SCREW TE M8-12 INOX	2,00			--
0009	VTAE00050		RING D'ARRESTO ALBERO	2,00			--
0010	VTDD01695		NUT M 8 INX	6,00			--
0011	VTRS13947		WASHER D. 8 INX UNI 6592	6,00			--
0012	CUVR00169		BEARING FLANGIA P47	2,00			--
0013	MOCC00348		MOTOR AOMPDI 24V 145W	1,00			--
0014	VTVR33668		KEY 6x 6x40 UNI 6604A	2,00			--
0015	CUVR00105		SUPPORT	1,00			--
0016	VTDD01694		NUT M 6 INX	4,00			--
0017	VTVT15907		SCREW TE 8X25 UNI5739 INX	2,00			--
0018	VTVT13940		SCREW M 6X 20 TSPEI UNI 5933	4,00			--
0019	VTRS15978		WASHER D.12X24 UNI 6592 INX	4,00			--



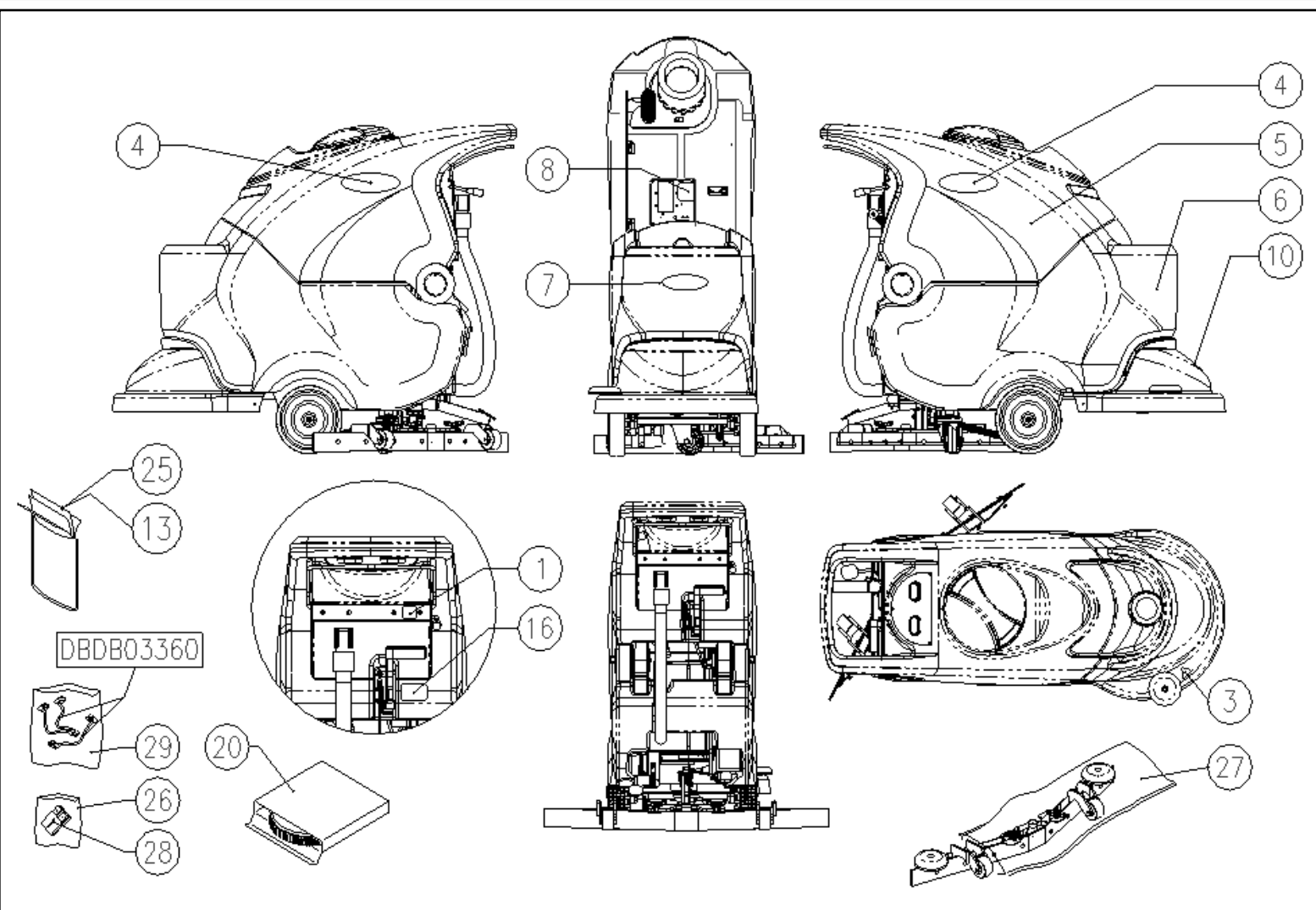
Ref.	K	Part N.	Customer Part N.	Description	Qty	Validity:		Price
						From	To	
0001		LAFN06288		SUPPORT PLANCIA COMANDI	1,00			--
0002		ETET01415		LABEL PLANCIA COMANDI	1,00			--
0003		MEVR01666		KNOB POTENTIOMETER	1,00			--
0004		MECI00323		BUTTON FUNGO	1,00			--
0005		VTVR00481		INSERT FILETTATO M6	3,00			--
0006		VTDD21115		NUT M 3 INOX	7,00			--
0007		VTRS00268		WASHER D.3	7,00			--
0008		MECE00435		BOARD CT40 TRAZIONATA	1,00		10/2008	--
0008		MECE00465		BOARD CT40-70-90	1,00	10/2008		--
0009		GUGO38417		GASKET PANN.COM.EXTREME	1,00			--
0010		VTVT00865		SCREW TSP-TC M 3X 6 UNI7688 INX	3,00			--
0011		VTVT37012		SCREW M 4X 10 TCB-TC INX	3,00			--
0012		VTRS00515		WASHER D. 4 INX	8,00			--
0013		CHVR00051		DIASS.SPANNERPULSANTE FUNGO	1,00			--
0014		VTVT07725		SCREW TE 5X16 UNI5739 INX	2,00			--
0015		LAFN05904		PLATE MICRO LEVA	1,00			--
0016		VTRS00516		WASHER D. 5 INX	2,00			--
0017		VTDD01693		NUT M 5 INX	6,00			--
0018		VTRS21116		WASHER D. 3 INX	2,00			--
0019		MECI00403		CONTACT -	1,00			--
0020		MLML34726		SPRING TR E350 N	1,00			--
0021		VTVT01316		SCREW TC+ M3-16	2,00			--
0022		MECI36393		MICROSWITCH TRZ. DRW	1,00			--
0023		MEVR02887		FUSE 40A NST.	1,00			--
0024		LAFN06822		PLATE ELETTRONICA	1,00			--
0025		MEVR01332		FUSE-HOLDER	2,00		07/2009	--
0025		MEVR31036		FUSE-HOLDER	2,00	07/2009		--
0026		MECE00139		RELAY POTENZA 24V	1,00			--
0027		MEVR01116		SUPPORT FUSIBILE 120 A	3,00			--
0028		VTDD15521		NUT M 8 INX A2 UNI 5588	6,00			--
0029		VTRS01080		WASHER D. 8 GRW	6,00			--
0030		VTDD15925		NUT M 4 INX	6,00			--
0031		VTVT00704		SCREW TE M 4X 16 UNI5739 INOX	6,00			--
0032		VTVT01580		SCREW TC M5X10 UNI7687 INOX	4,00		05/2009	--
0032		VTVT07521		SCREW TCB 5X10	4,00	05/2009		--
0033		VTVT21096		SCREW TE M 4X 10 INX	2,00			--
0034		VTRS13947		WASHER D. 8 INX UNI 6592	3,00			--
0035		VTDD00147		NUT M 4 INX U.5588	1,00			--
0036		METT00053		BLOCK PORTA RELE'	1,00			--



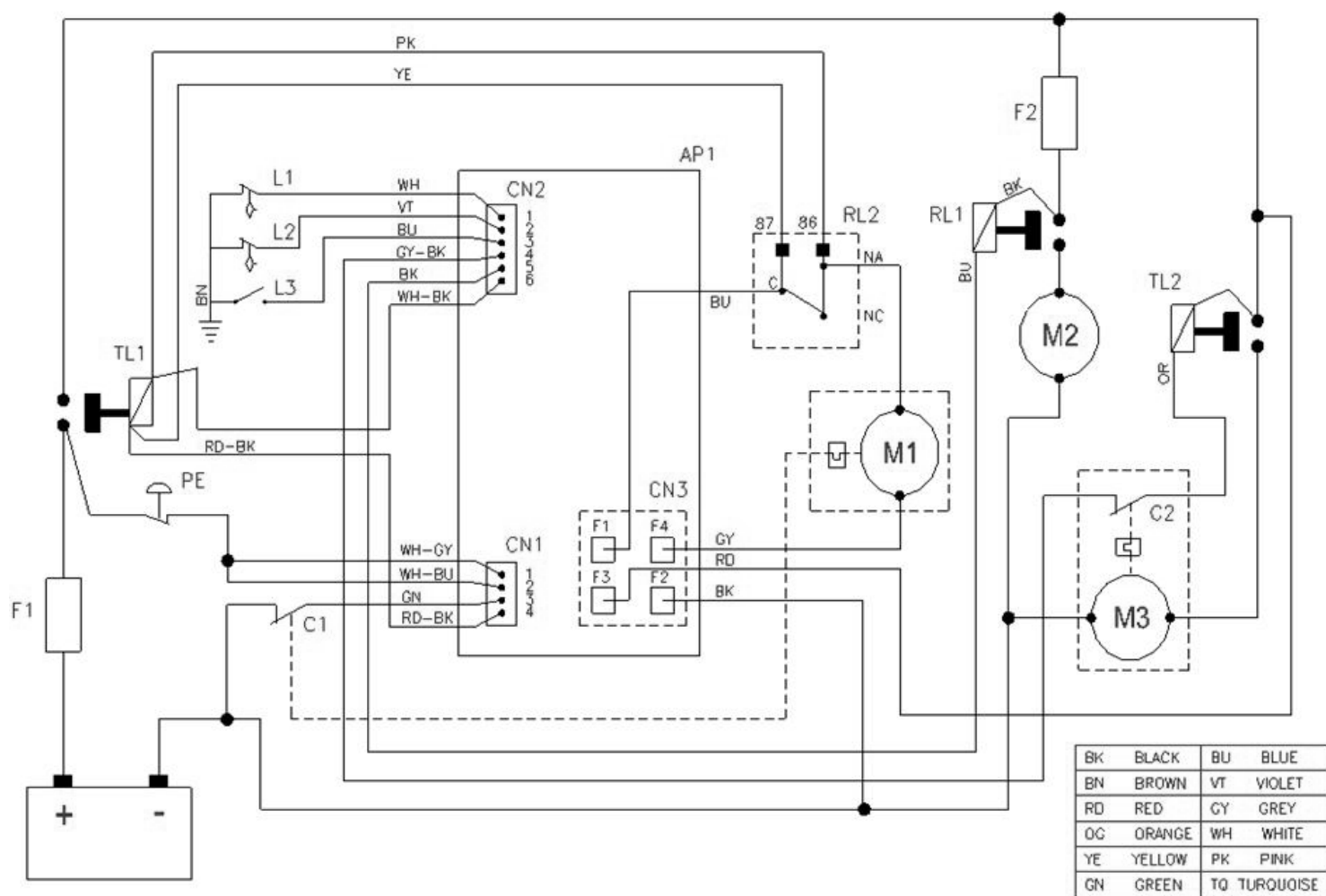
Ref.	K	Part N.	Customer Part N.	Description	Qty	Validity:		Price
						From	To	
0037		LAFN51089		PLATE ELETTRICA CLT40	1,00			--
0038		VTRS13750		WASHER D. 5X14 INX	1,00			--
0039		MEVR42990		FUSE 60A NST.	1,00			--
0040		VTRS15958		WASHER D. 5 X15 UNI 6593	4,00			--
0041		MECI00005		RELAY 24V 10/20A	1,00			--
0042		LAFN06822		PLATE ELETTRONICA	1,00			--
0043		VTVT16939		SCREW M 4X 16 TSPEI UNI 5933	2,00			--
0044		METT00056		CONTACTOR T-106	1,00			--
0045		MECB00930		WIRING RESISTENZA 50 W	1,00			--
0047		MPVR02933		DUCT LOCK D.9,5	3,00			--
0048		METT30650		CONTACTOR 24 V	1,00			--
0049		LAFN31098		SPACER S. BLOCK B 450	2,00			--
0050		VTVT00722		SCREW	2,00			--
0051		VTVT00399		SCREW TE M5x30 UNI 5739	2,00			--
0052		MECI00399		SENSOR DI LIVELLO ORIZZONTALE	1,00			--
0053		MECB00987		WIRING -	1,00			--
0054		LAFN35588		BATTERY SUPPORTLAV. BT	1,00			--
0055		MECB00988		WIRING -	1,00			--
0056		MECB00966		WIRING CT40 TRAZIONATA	1,00			--
0058		MEVR34820		WIRING B 450 BT	1,00			--
0060		MPVR00043		CAP CHIUS.FORO PORTAFUS.L 15	1,00			--
0065		FSVR00099		CLAMP FERMATUBO	2,00			--
0066		VTVT00633		SCREW M 3X 20 TCB-TC BK.U.7687	2,00			--
0067		MECI00400		SENSOR DI LIVELLO ORIZZONTALE	1,00			--
0067		VTVT00633		SCREW M 3X 20 TCB-TC BK.U.7687	2,00			--



Ref. K	Part N.	Customer Part N.	Description	Qty	Validity:		Price
					From	To	
	CNPR00373		GREASE TIPO MARSON	1,00			--
0002	VTVT01298		SCREW TCEI M6X20	4,00	03/2009		--
0002	VTVT01315		SCREW AUTOF.TCC M6-16 DIN 7516	4,00		03/2009	--
0004	CUVR74239		BEARING 6005 X TERSY 45 C	2,00			--
0005	CUVR00131		BEARING 9X24X7	2,00			--
0006	PMVR00871		GEAR 1 RIDUZ.(BATTERIA)	1,00			--
0008	PMVR00870		ASSEMBLED INGRANAGGIO 2 RIDUZIONE	1,00		11/2005	--
0008	PMVR01210		CARRYNG BAG	1,00	11/2005		--
0009	CNPR00387		LUBRICATING OILGRASSO GREASE SLL/00 SE	0,25			--
0010	GUGO00277		OIL SEAL 25X35X7	2,00			--
0011	MFVR00137		BOX INFERIORE	1,00			--
0012	MFVR00134		DRIVE DISK SPAZZOLE	1,00			--
0015	MOCC00281		TRACTION MOTOR DW225 600 W 24V	1,00			--
0016	MFVR00135		COVER SUPERIORE RIDUTTORE 450	1,00			--
0017	MTIG00096		PINION MOTORE Z 19	1,00			--
0018	VTRS00245		WASHER D.6 UNI 6592 INOX	3,00			--
0019	VTVT00841		SCREW TE M 6X65 UNI 5739 INX	3,00			--
0020	VTVR13165		KEY 5X5X20	1,00			--
0021	VTVT17720		SCREW TCEI M 5X16 INOX	1,00			--
0022	LAFN04102		WASHER DIST.PER RIDUTTORE	1,00			--
0023	VTRS00246		WASHER D. 6	4,00			--
0070	GUVR00214		GASKET P184 RIDUTTORE	1,00			--
0071	GUVR00215		GASKET P184 MOTORE	1,00			--
0072	VTDD01694		NUT M 6 INX	3,00			--
0073	VTRS13750		WASHER D. 5X14 INX	1,00			--
0074	VTVT15515		SCREW TE M 6X 50 INOX A2	4,00			--
0075	VTRS13945		WASHER D. 6X18 INX UNI 6593	1,00			--



Ref.	K	Part N.	Customer Part N.	Description	Qty	Validity:		Price
						From	To	
0001		ETET01447		LABEL	1,00			--
0003		ETET01014		ADHESIVE ATTENZ.ABRAS.ARTI	1,00			--
0004		ETET01364		LABEL LATERALE	2,00			--
0005		MPVR04111		TANK RECUP.	1,00			--
0006		MPVR04108		TANK SOLUZ.	1,00			--
0007		ETET02000		LABEL LOGO IPC	1,00			--
0008		ETET00763		LABEL SIMBOLO FUSIBILI	1,00			--
0010		MPVR04120		BRUSH PROTECT.	1,00			--
0013		PLDC01423		MANUAL	1,00			--
0016		ETET01407		PLATE APERTURA SERBATOIO	1,00			--
0020		SPPV43963		BRUSH NYL 0.8 500	1,00			--
0025		PLDC01676		MANUAL RIC. CLT40	1,00			--
0026		MIVR00072		ENVELOPE PLASTICA TRASP.	1,00			--
0027		MIVR00048		TUBE UNIBOL	1,00			--
0028		MEVR01079		PLUG M CB50 A 600V RD.	1,00			--
0029		MIVR00064		ENVELOPE PORTA CABLAGGI	1,00			--



Ref.	K	Part N.	Customer Part N.	Description	Qty	Validity:		Price
						From	To	
AP1		MECE00435		BOARD CT40 TRAZIONATA	1,00		10/2008	--
AP1		MECE00465		BOARD CT40-70-90	1,00	10/2008		--
F1		MEVR00604		FUSE	1,00			--
F2		MEVR02887		FUSE 40A NST.	1,00			--
L1		MECI00338		SENSOR DI LIVELLO ORIZZONTALE	1,00			--
L2		MECI00338		SENSOR DI LIVELLO ORIZZONTALE	1,00			--
L3		MECI36393		MICROSWITCH TRZ. DRW	1,00			--
M1		MOCC00284		MOTOR.GEARBOX "AMER" CT40	1,00			--
M2		MOCC00253		MOTOR ASPIR.BIST.24V	1,00		11/2008	--
M2		MOCC00349		MOTOR ASPIR.BIST.24V	1,00	11/2008		--
M3		MOCC36311		TRACTION MOTOR DW225 600 W 24V	1,00			--
PE		MECI38446		BUTTON D.22 NC	1,00			--
RL1		MECE00139		RELAY POTENZA 24V	1,00			--
RL2		MECI00005		RELAY 24V 10/20A	1,00			--
TL1		METT30650		CONTACTOR 24 V	1,00			--
TL2		METT00056		CONTACTOR T-106	1,00			--