

Clemas & Co Ltd

Industrial Cleaning Equipment
Sales - Hire - Service

CTS40 HAZARDOUS VACUUM CLEANER PARTS MANUAL



Clemas & Co. Unit 5 Ashchurch Business Centre, Alexandra Way, Tewkesbury,
Gloucestershire, GL20 8NB.

Tel: 01684 850777

Fax: 01684 850707

Email: info@clemas.co.uk

Web: www.clemas.co.uk

Table of Contents

CTS 40 L-M-H

Car	3
ABS Container	5
Filter group	7
Shaker Unit	9
L/M/H & ATEX label	11
Container unit	13
Suction unit	15
Electric board	17

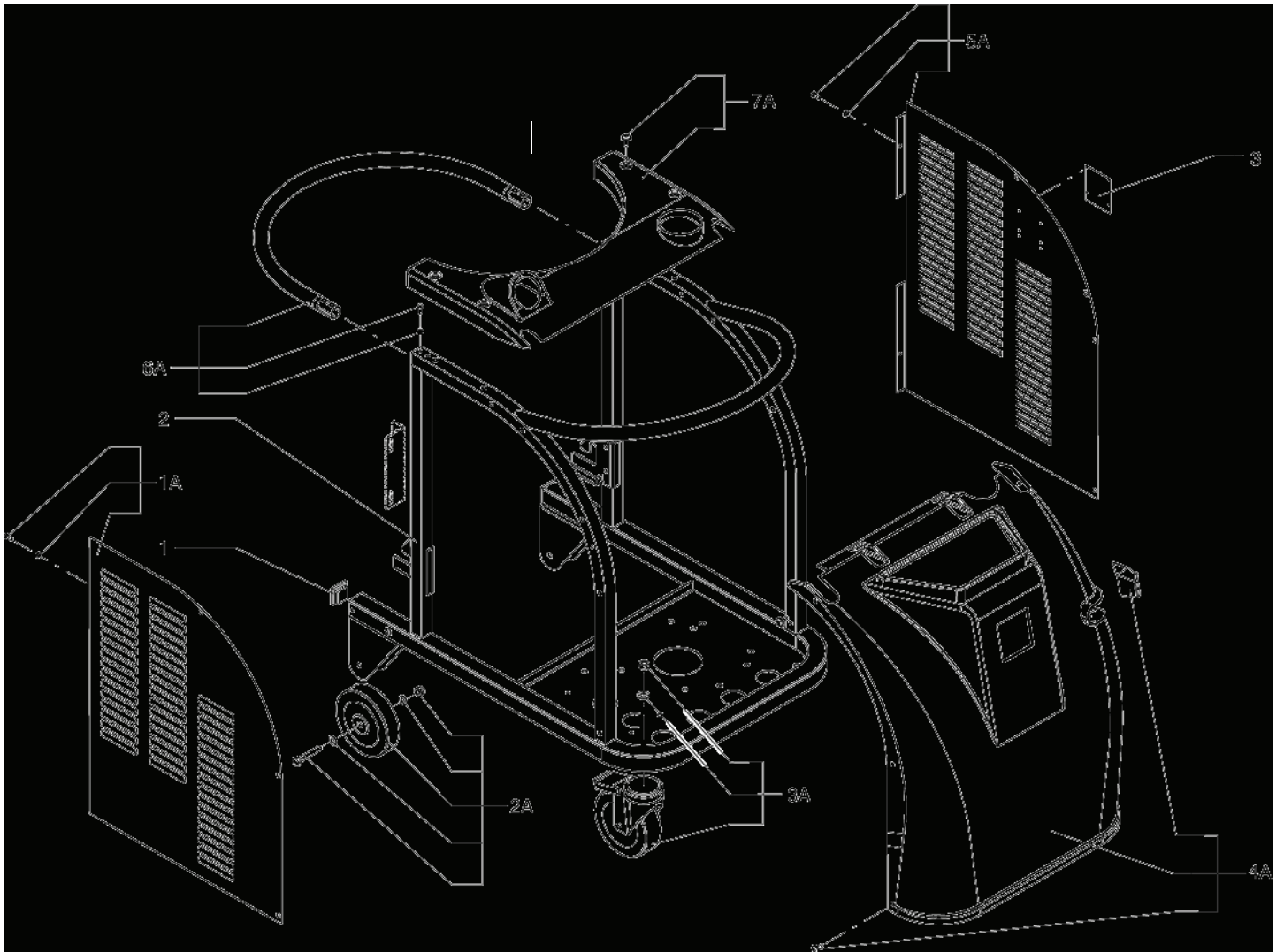
Car

CTS 40 L-M-H

27-09-2012

Part List ID
CTS22LMH01

3



Car

CTS 40 L-M-H

27-09-2012

Part List ID
C I SZZLMH01

4

Pos	Part no.	Qty	Description
1	Z8 40035	2	SQUARE PLUG 40 x 40 PVC
2	Z8 36520	1	TROLLEY M. CTS RAL 7016
3	Z8 17015	1	3-PHASE PLATE ALUMINIUM
1A	40000708	1	LEFT PANEL KIT
2A	40000486	1	KIT FIXED WHEEL D150
3A	40000541	1	KIT REVOLV. CASTOR D150
4A	40000709	1	COVER KIT
5A	40000710	1	RIGHT PANEL KIT
6A	40000711	1	HANDLE KIT
7A	40000712	1	UPPER COVER KIT

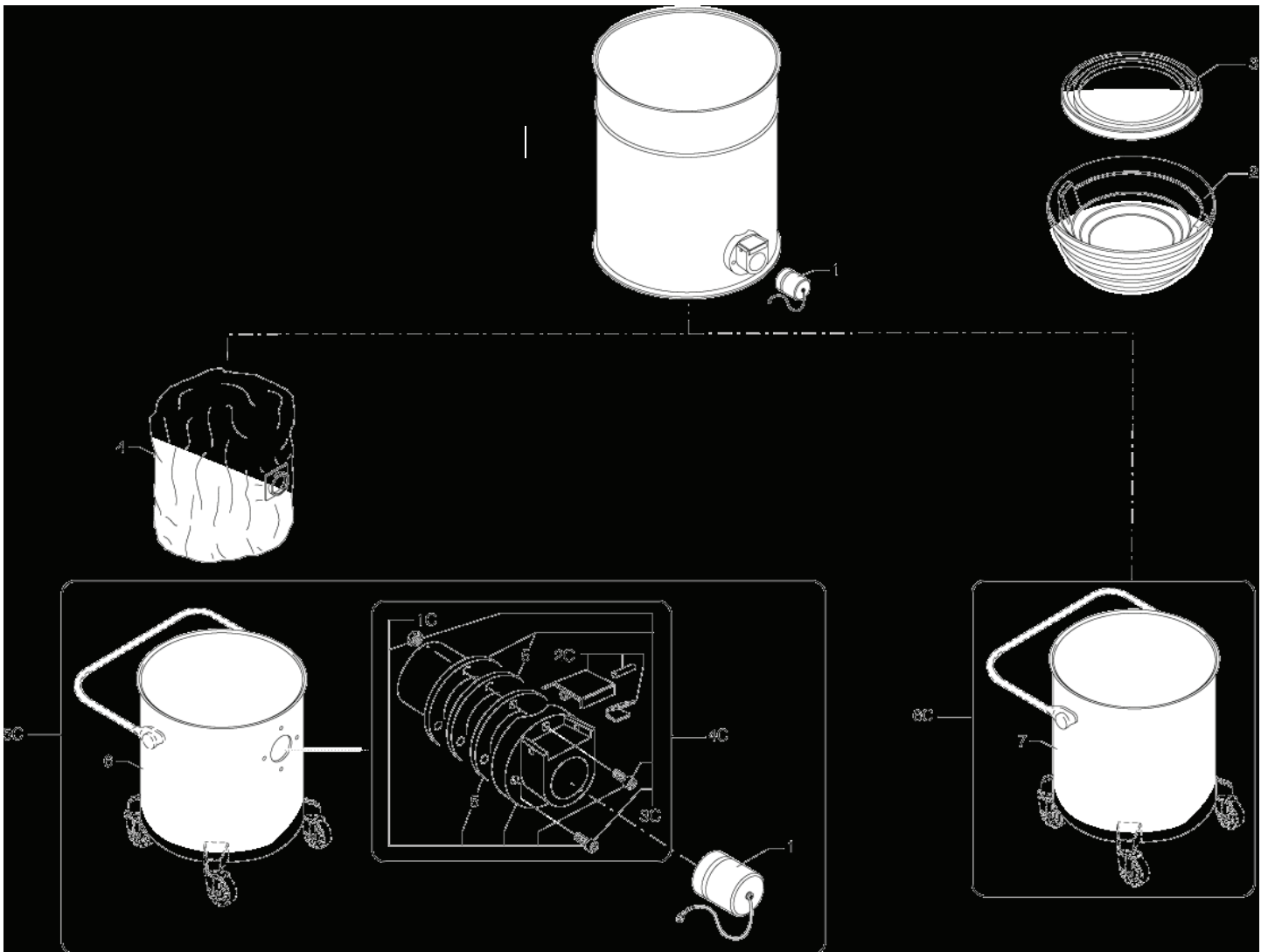
ABS Container

CTS 40 L-M-H

27-09-2012

Part List ID
CTS22LMH05

5



ABS Container

CTS 40 L-M-H

27-09-2012

Part List ID
C I SZZLMH05

6

Pos	Part no.	Qty	Description
1	Z7 21070	2	PLUG X INLET D70 FE COMPLETE
2	Z8 30202	1	CONTAINER D460x230 ABS
3	Z8 31365	1	CAP D460 CONTAINER ABS
4	81584000	1	5PCS PAPER BAGS GS82
4	Z8 40874	1	DUST SAFE BAG SYSTEM D.3-460 ANTISTATIC
5	Z8 17006	2	INLET SEAL D70
6	4083000385	1	BIN D460 L50 PAPER BAG INLET FROM
7	Z8 30369	1	BIN D460 L50 FOR DC65GAS
1C	40000343	1	KIT INLET FE D70
2C	40000345	1	KIT PUSHBUTTON FOR INLET D70
3C	40000852	1	DEFLECTOR FOR PAPER BAG KIT
4C	40000853	1	D70 INLET KIT FOR PAPER BAG
5C	4056000391	1	KIT SAFE BAG SYSTEM D460 L50 FOR
6C	4083000397	1	COMPLETE BIN D460 CTSCCT

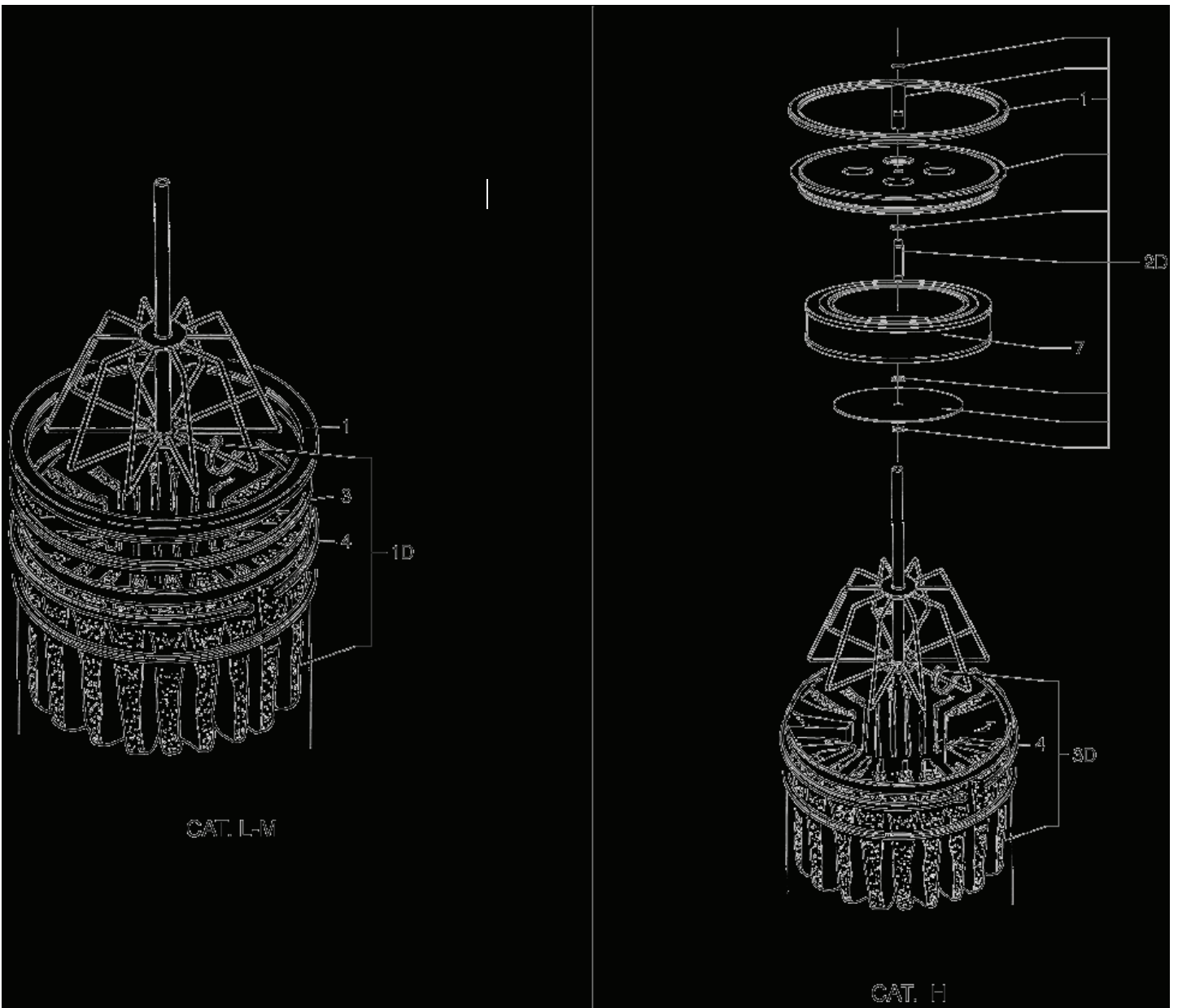
Filter group

CTS 40 L-M-H

27-09-2012

Part List ID
CTS22LMH07

7



Filter group

CTS 40 L-M-H

27-09-2012

Part List ID
C I S2ZLMH07

8

Pos	Part no.	Qty	Description
1	Z8 17026	1	FILTER SEAL D460 BLACK
3	Z8 15003	1	FILTER HOLDER RING D460 FE
4	Z8 18079	1	FILTER BLOCK TIE D460
7	Z8 17455	1	ABSOLUTE FILTER D410 x 80 H14 ROTATING
1D	40000338	1	KIT STAR FILTER D460 L CLASS
1D	40000492	1	STAR FILTER KIT D460 M CLASS
2D	40000658	1	ABSOLUTE FILTER SUPPORT KIT
3D	40000492	1	STAR FILTER KIT D460 M CLASS

Shaker Unit

CTS 40 L-M-H

27-09-2012

Part List ID
CTS22LMH09

9

Shaker Unit

CTS 40 L-M-H

27-09-2012

Part List ID
C I SZZLMH09

10

Pos	Part no.	Qty	Description
1	Z8 40027	1	KNOB D70 M12 NO HOLE
2	Z8 31643	1	COVER D460 M.SOL RAL7001
3	Z8 36191	1	BAND LOCK D.460
4	Z8 33324	1	STAR CAGE D460 FE x SOL
1E	40000313	1	KIT FILTER SHAKER FE

L/M/H & ATEX label

CTS 40 L-M-H

27-09-2012

Part List ID
CTS22LMH15

11



L/M/H & ATEX label

CTS 40 L-M-H

27-09-2012

Part List ID
C I S2ZLMH15

12

Pos	Part no.	Qty	Description
2	Z8 17551	1	LABEL CATEGORY M
3	Z8 17550	1	LABEL CATEGORY L
4	Z8 17552	1	LABEL CATEGORY H

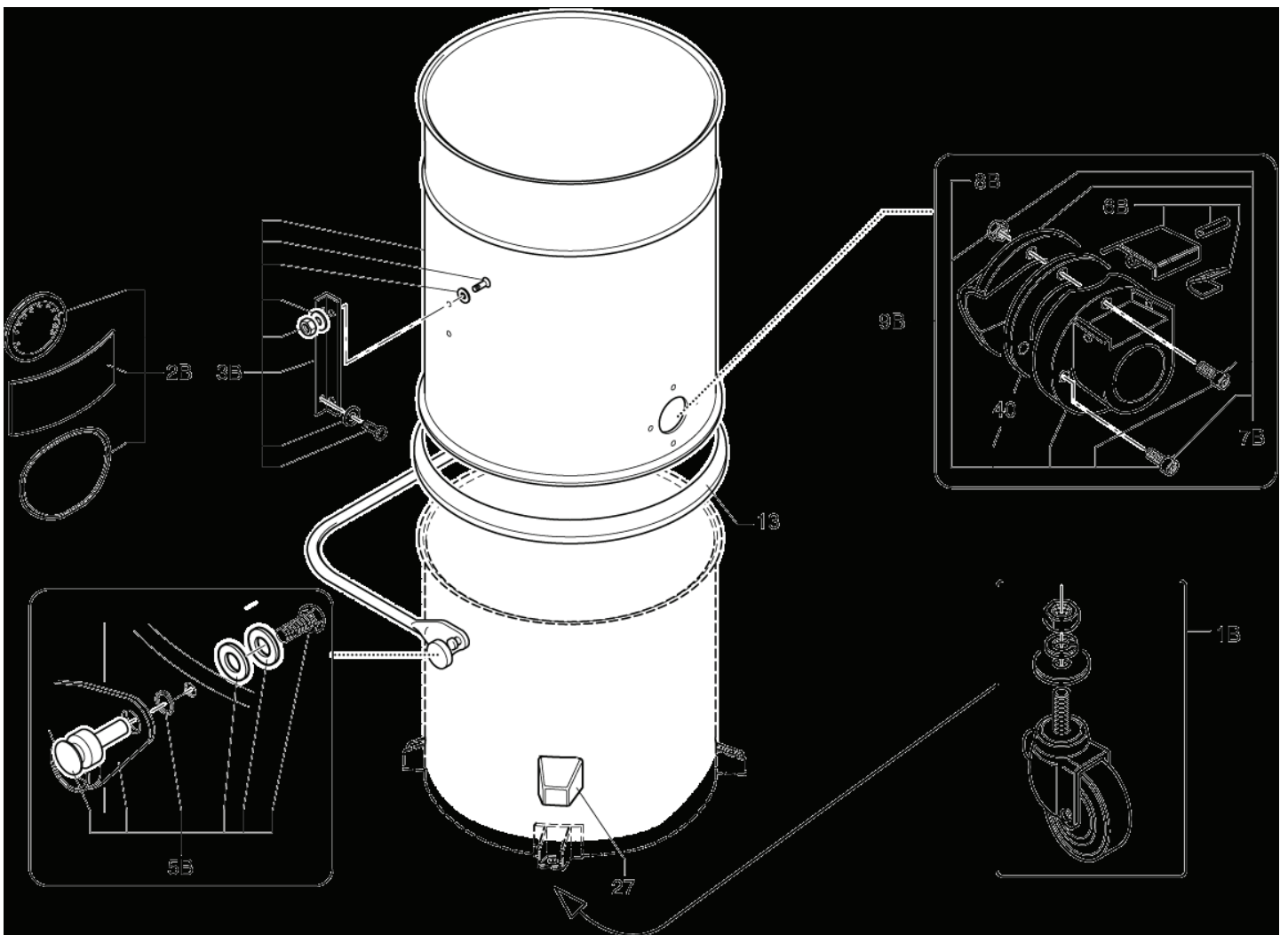
Container unit

CTS 40 L-M-H

27-09-2012

Part List ID
CTS40LMH03

13



Container unit

CTS 40 L-M-H

27-09-2012

Part List ID
C I S40LMH03

14

Pos	Part no.	Qty	Description
13	40000762	1	SEAL
1B	40000419	1	KIT CASTORS FOR CONTAINER
27	Z8 17021	4	BUMPER WHEEL HOLDER
2B	40000720	1	LABLE KIT
3B	40000714	1	LATERAL PROTECTION KIT
40	Z8 17006	1	INLET SEAL D70
5B	40000713	1	RELEASE LEVER KIT
6B	40000345	1	KIT PUSHBUTTON FOR INLET D70
7B	40000395	1	KIT DEFLECTOR D70
8B	40000343	1	KIT INLET FE D70
9B	40000397	1	KIT COMPLETE INLET FE D70

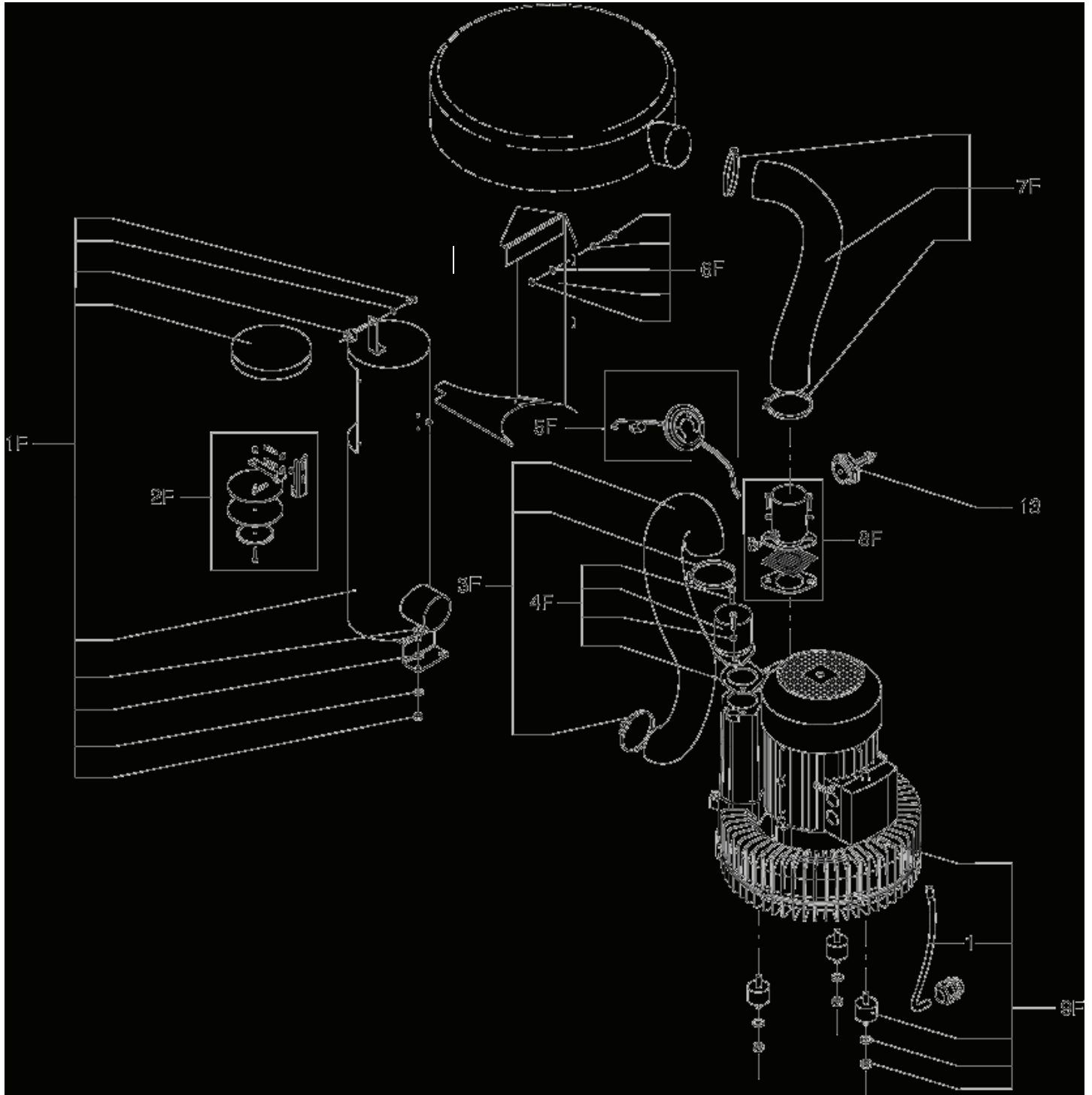
Suction unit

CTS 40 L-M-H

27-09-2012

Part List ID
CTS40LMH05

15



Suction unit

CTS 40 L-M-H

27-09-2012

Part List ID
C I S40LMH05

16

Pos	Part no.	Qty	Description
1	Z8 391079	1	CABLE CONN.MOT. 4G2.5 SIL. MOD.3508-T40
13	Z8 34024	1	RELIEF VALVE 1 1/2
1F	40000731	1	COMPLETE SILENCER KIT
2F	40000721	1	CLAPPET KIT FOR SILENCER
3F	40000571	1	KIT BLOWING TUBE
4F	40000556	1	KIT BLOWING CONNECTION D70
5F	40000309	1	KIT VACUUM GAUGE 3500
6F	40000718	1	CONVEYOR KIT FOR SILENCER
7F	40000716	1	SUCTION HOSE KIT
8F	40000724	1	D70 SUCTION CONNECTION KIT WITH RELIEF
9F	40000722	1	SUCTION UNIT KIT

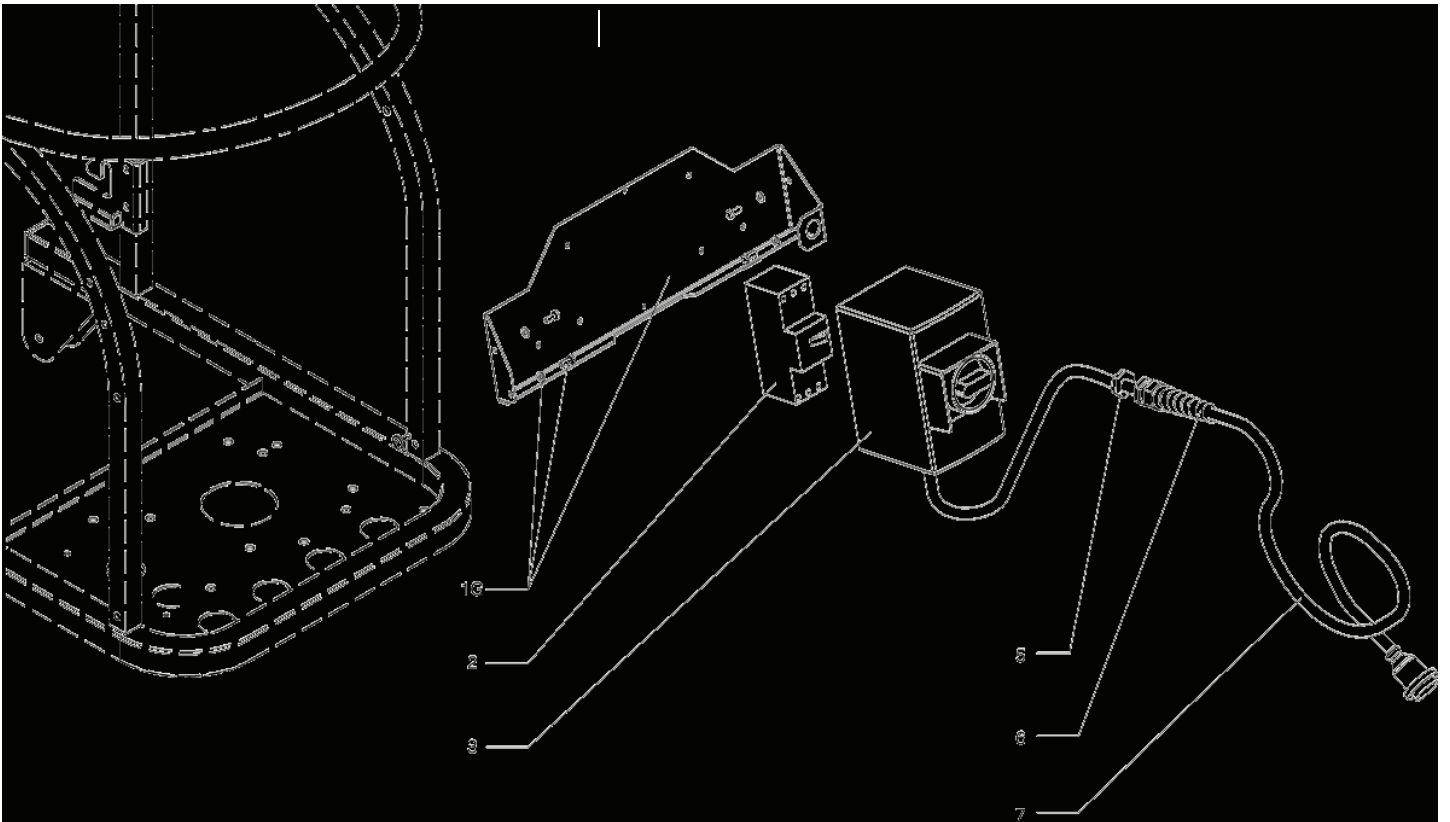
Electric board

CTS 40 L-M-H

27-09-2012

Part List ID
CTS40LMH07

17



Electric board

CTS 40 L-M-H

27-09-2012

Part List ID
C I S40LMH07

18

Pos	Part no.	Qty	Description
2	Z8 39916	1	CIRCUIT BREAKER 9-12.5 A SIRIUS S0
3	Z8 39969	1	BOX CIRCUIT BREAKER IP65 SIRIUS S0
5	Z8 39568	1	METAL RING NUT PG16
6	Z8 39060	1	CABLE GLAND PG16 PA SPRING
7	4083901287	1	CABLE SUP. 4G2.5 NE.SP16A 5PP 9M
7	Z8 39937	1	CABLE SUP. 4G2.5 NE. SP16 9M
1G	40000719	1	I.E. SUPPORT KIT