

Clemas & Co Ltd

Industrial Cleaning Equipment
Sales - Hire - Service

CTT40 HAZARDOUS VACUUM CLEANER PARTS MANUAL



Clemas & Co. Unit 5 Ashchurch Business Centre, Alexandra Way, Tewkesbury,
Gloucestershire, GL20 8NB.

Tel: 01684 850777

Fax: 01684 850707

Email: info@clemas.co.uk

Web: www.clemas.co.uk

Table of Contents

CTT 40 L-M-H

Car	3
Container unit	5
Container	7
Filter group	9
Shaker unit	11
Suction unit 01	13
Suction unit 02	15
Suction unit 03	17
Suction unit 04	19
Electric board	21
L/M/H & ATEX Label	23

Car

CTT 40 L-M-H

01-10-2012

Part List ID
C I 140LMH01

4

Pos	Part no.	Qty	Description
1	Z8 40035	2	SQUARE PLUG 40 x 40 PVC
2	Z8 36520	1	TROLLEY M. CTS RAL 7016
3	Z8 17015	1	3-PHASE PLATE ALUMINIUM
4	4081700841	1	ENGINE SOUNDPROOFING KIT CTT40
5	4081700843	1	DIFFUSER FILTER MOD.CTT40
6	4081600450	1	DIFFUSER FRAME R7001 CTT40 F.4081600449
1A	40000708	1	LEFT PANEL KIT
2A	40000486	1	KIT FIXED WHEEL D150
3A	40000541	1	KIT REVOLV. CASTOR D150
4A	40000709	1	COVER KIT
5A	40000710	1	RIGHT PANEL KIT
6A	40000711	1	HANDLE KIT
7A	40000712	1	UPPER COVER KIT

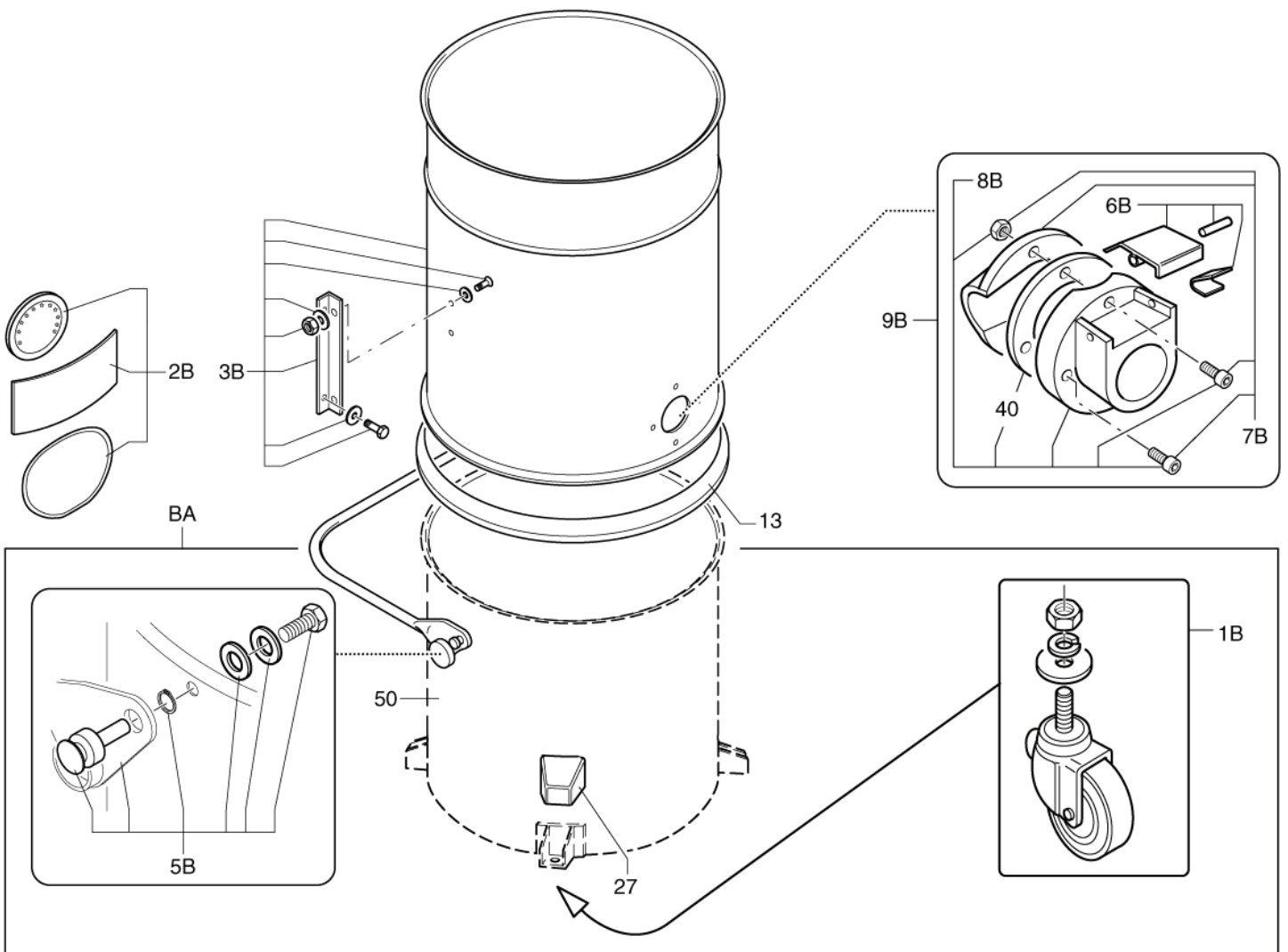
Container unit

CTT 40 L-M-H

01-10-2012

Part List ID
CTT40LMH03

5



Container unit

CTT 40 L-M-H

01-10-2012

Part List ID
C I 140LMH03

6

Pos	Part no.	Qty	Description
13	40000762	1	SEAL
1B	40000419	1	KIT CASTORS FOR CONTAINER
27	Z8 17021	4	BUMPER WHEEL HOLDER
2B	40000735	1	LABEL KIT
3B	40000714	1	LATERAL PROTECTION KIT
40	Z8 17006	1	INLET SEAL D70
50	Z8 30369	1	BIN D460 L50 FOR DC65GAS
5B	40000713	1	RELEASE LEVER KIT
6B	40000345	1	KIT PUSHBUTTON FOR INLET D70
7B	40000395	1	KIT DEFLECTOR D70
8B	40000343	1	KIT INLET FE D70
9B	40000397	1	KIT COMPLETE INLET FE D70

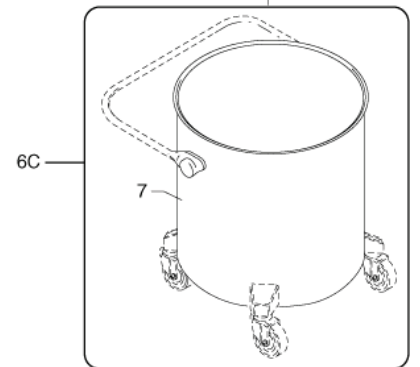
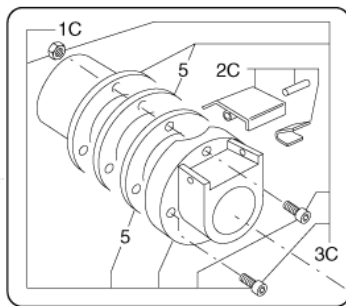
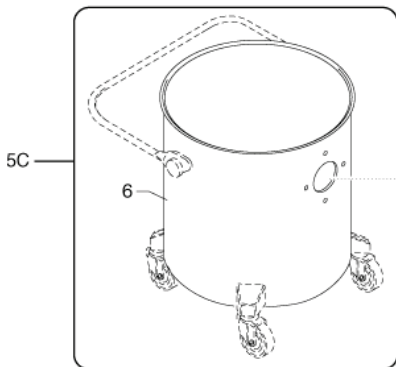
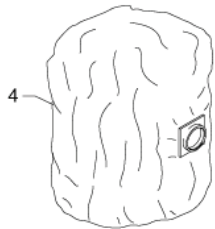
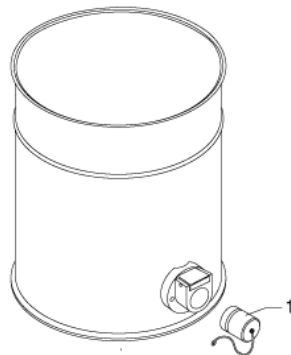
Container

CTT 40 L-M-H

01-10-2012

Part List ID
CTT40LMH05

7



Container

CTT 40 L-M-H

01-10-2012

Part List ID
C I 140LMH05

8

Pos	Part no.	Qty	Description
1	Z7 21070	2	PLUG X INLET D70 FE COMPLETE
4	4084001014	1	SAFE BAG D.460 STD
4	81584000	1	5PCS PAPER BAGS GS82
5	Z8 17006	2	INLET SEAL D70
6	4083000385	1	BIN D460 L50 PAPER BAG INLET FROM
7	Z8 30369	1	BIN D460 L50 FOR DC65GAS
1C	40000343	1	KIT INLET FE D70
2C	40000345	1	KIT PUSHBUTTON FOR INLET D70
3C	40000852	1	DEFLECTOR FOR PAPER BAG KIT
4C	40000853	1	D70 INLET KIT FOR PAPER BAG
5C	4056000391	1	KIT SAFE BAG SYSTEM D460 L50 FOR
6C	4083000397	1	COMPLETE BIN D460 CTSCCT

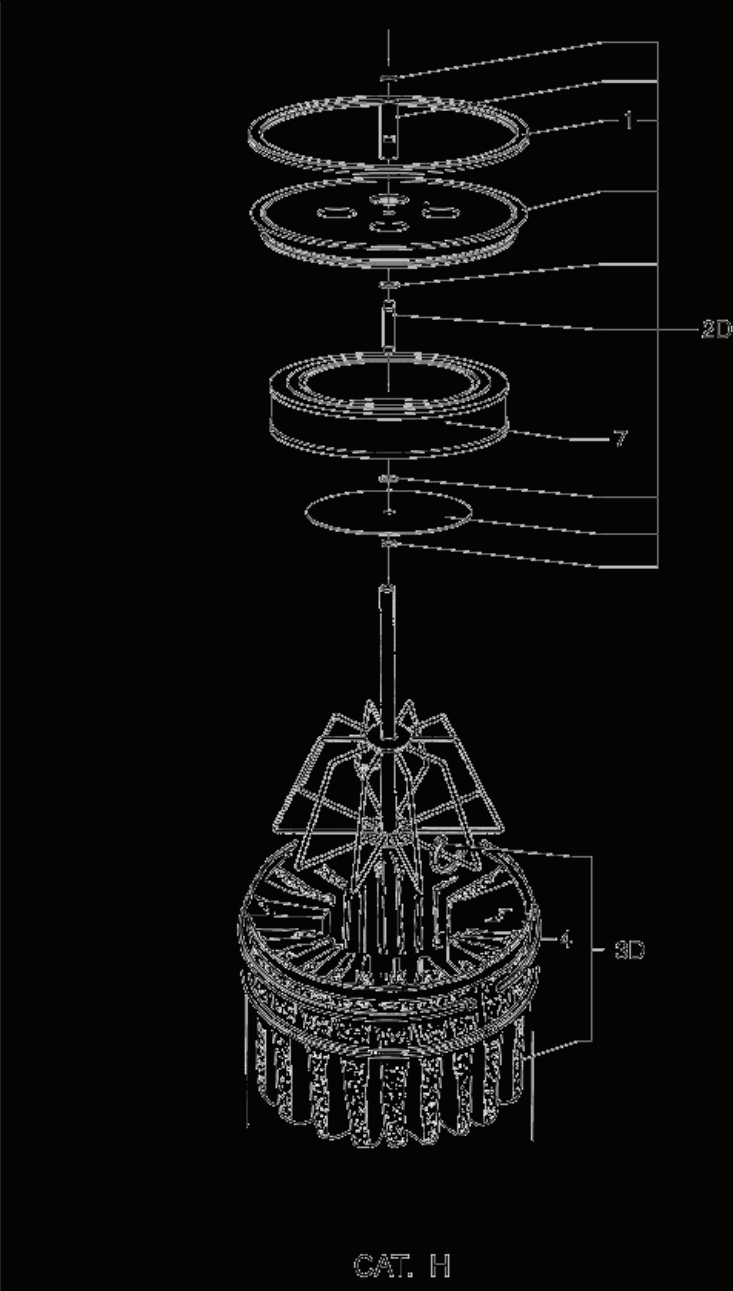
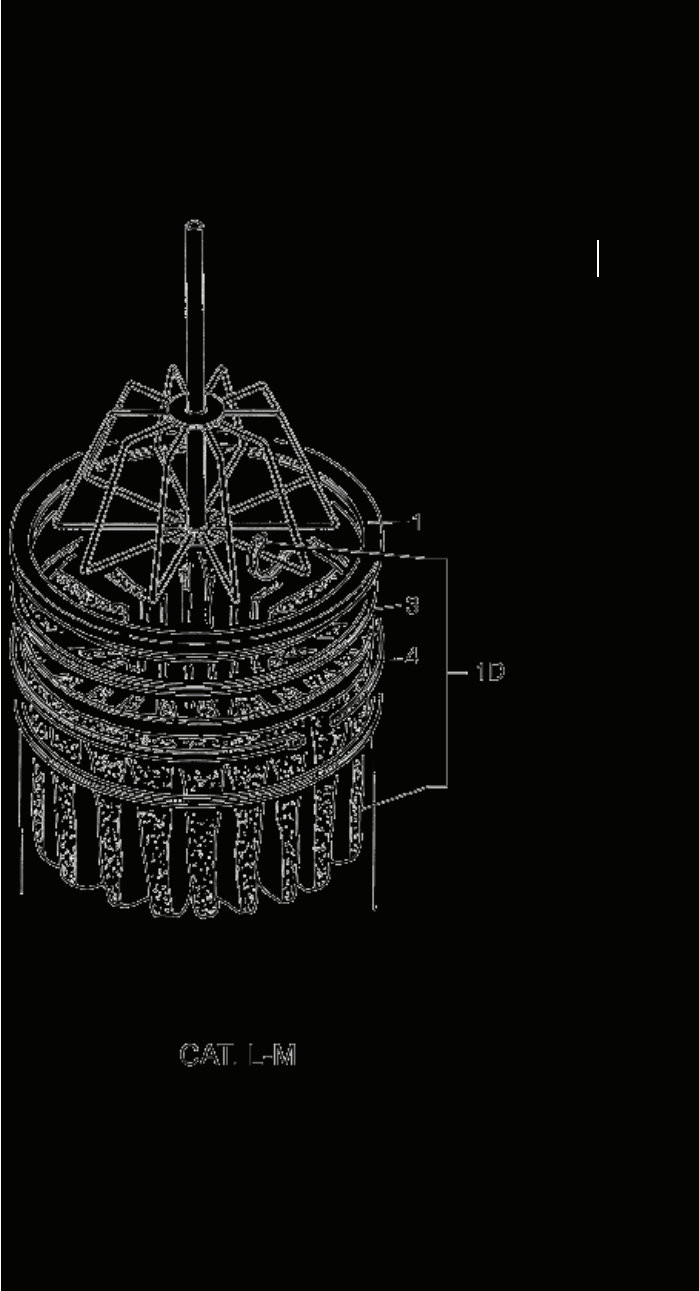
Filter group

CTT 40 L-M-H

01-10-2012

Part List ID
CTT40LMH07

9



Filter group

CTT 40 L-M-H

01-10-2012

Part List ID
C I 140LMH07

10

Pos	Part no.	Qty	Description
1	Z8 17026	1	FILTER SEAL D460 BLACK
3	Z8 15003	1	FILTER HOLDER RING D460 FE
4	Z8 18079	1	FILTER BLOCK TIE D460
7	Z8 17455	1	ABSOLUTE FILTER D410 x 80 H14 ROTATING
1D	40000338	1	KIT STAR FILTER D460 L CLASS
1D	40000492	1	STAR FILTER KIT D460 M CLASS
2D	40000658	1	ABSOLUTE FILTER SUPPORT KIT
3D	40000492	1	STAR FILTER KIT D460 M CLASS

Shaker unit

CTT 40 L-M-H

01-10-2012

Part List ID
CTT40LMH09

11

Shaker unit

CTT 40 L-M-H

01-10-2012

Part List ID
C I 140LMH09

12

Pos	Part no.	Qty	Description
1	Z8 40027	1	KNOB D70 M12 NO HOLE
2	Z8 31643	1	COVER D460 M.SOL RAL7001
3	Z8 36191	1	BAND LOCK D.460
4	Z8 33324	1	STAR CAGE D460 FE x SOL
1E	40000313	1	KIT FILTER SHAKER FE

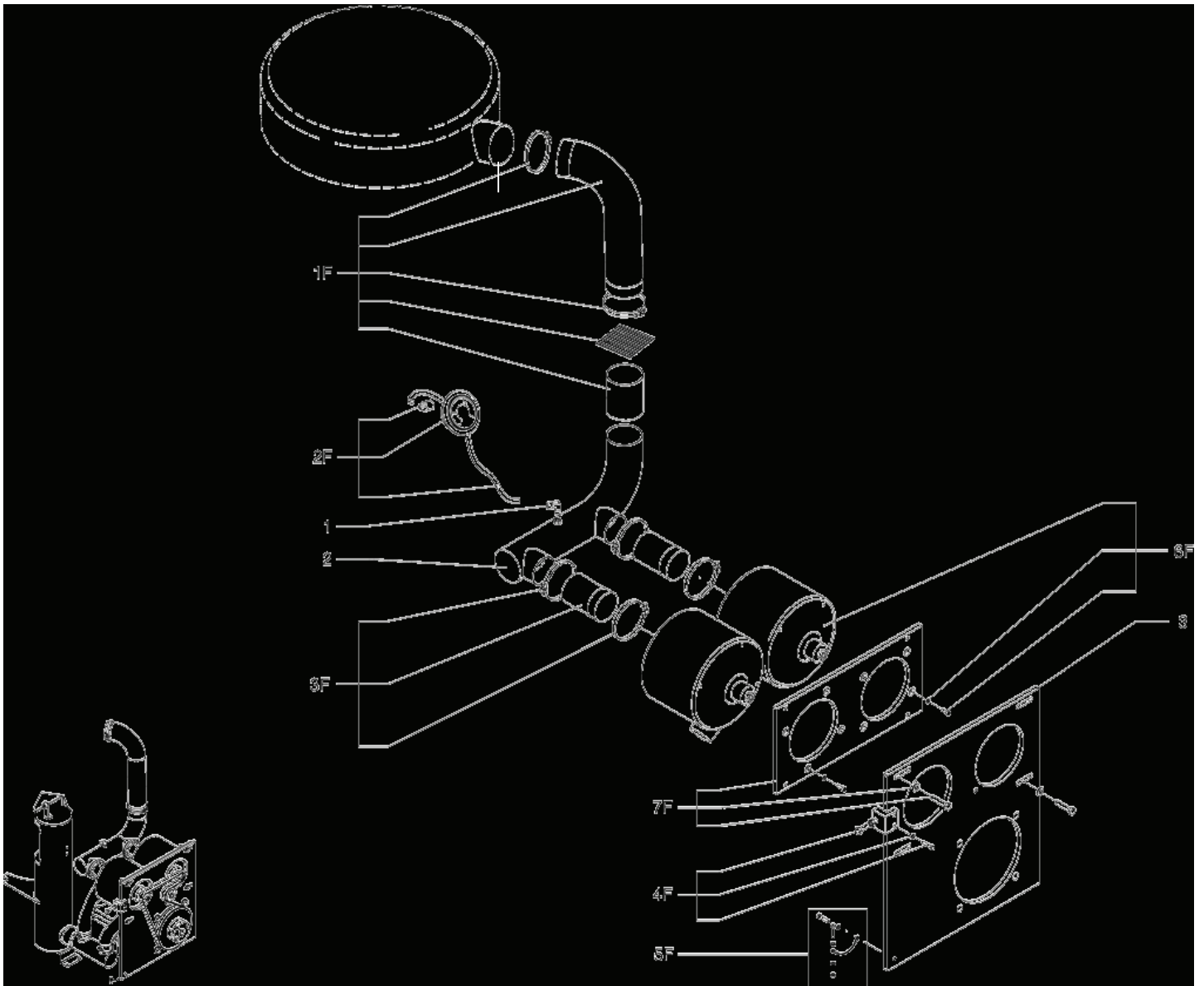
Suction unit 01

CTT 40 L-M-H

01-10-2012

Part List ID
CTT40LMH11

13



Suction unit 01

CTT 40 L-M-H

01-10-2012

Part List ID
C I 140LMH11

14

Pos	Part no.	Qty	Description
1	Z8 40179	1	CONNECTION BENT SWIVEL 1/8MD6
2	4083200590	1	COLLECTOR D.70/60/60 X MAG FE
3	4081800994	1	PLATE x 2 TURBINE MOD.CTT40
1F	40000736	1	SUCTION HOSE KIT
2F	40000309	1	KIT VACUUM GAUGE 3500
3F	40000737	2	TURBINE SUCTION HOSE KIT
4F	40000738	1	TURBINE STRETCHER KIT
5F	40000739	1	TURBINE EARTHING KIT
6F	40000659	2	MAGNETIC BLOWER KIT
7F	40000740	1	TURBINE PLATE KIT

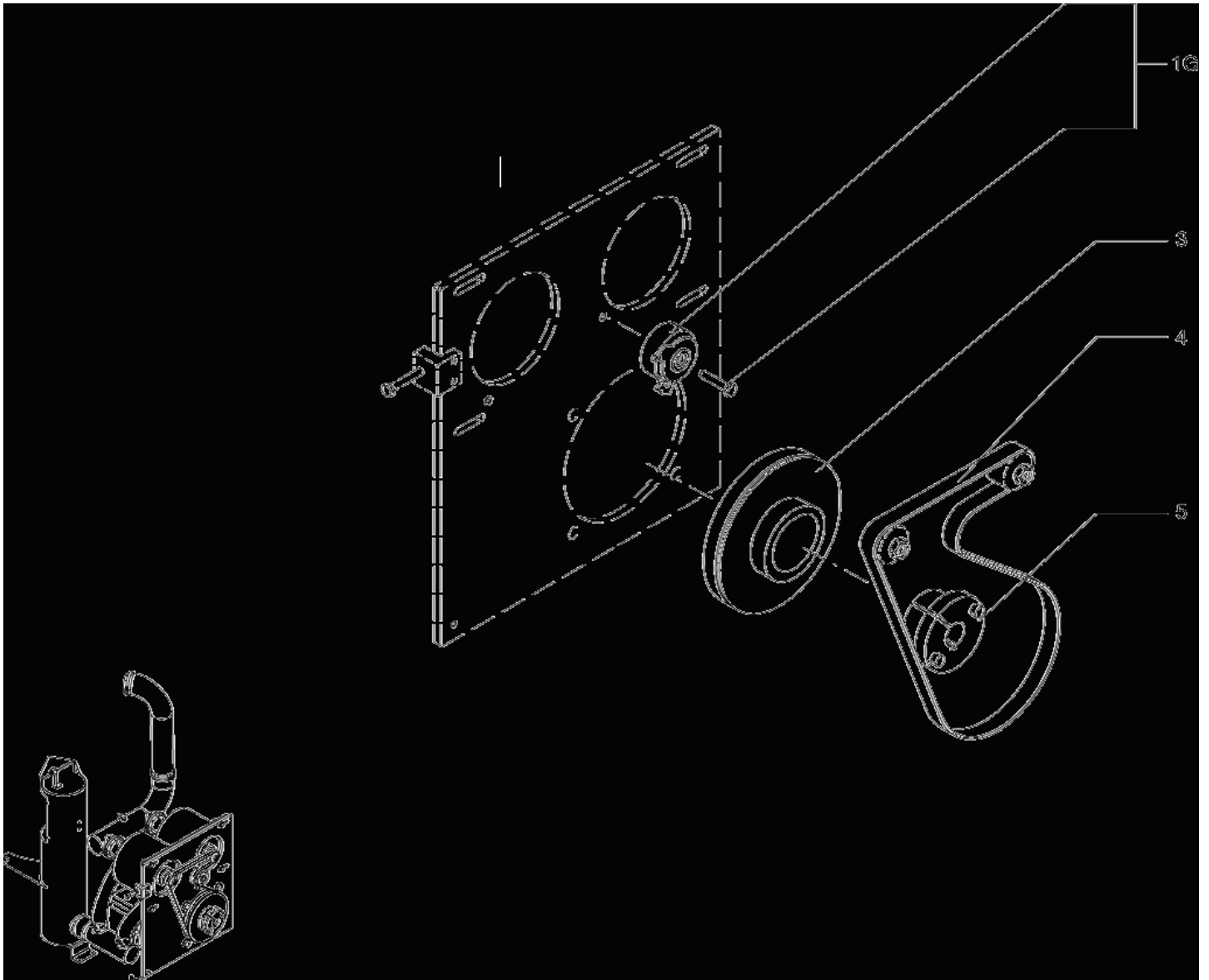
Suction unit 02

CTT 40 L-M-H

01-10-2012

Part List ID
CTT40LMH13

15



Suction unit 02

CTT 40 L-M-H

01-10-2012

Part List ID
C I 140LMH13

16

Pos	Part no.	Qty	Description
3	4081400657	1	PULLEY D180 POLY V J8 D180-4830-J8 CTT40
4	4084600035	1	POLY BELT V 1168 J8 ATEX
5	4084600036	1	CONIC BUSHING MOD. CTT40 4830
1G	40000741	1	BELT STRETCHER KIT

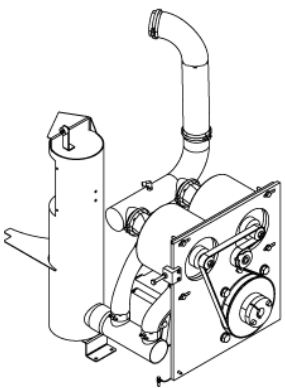
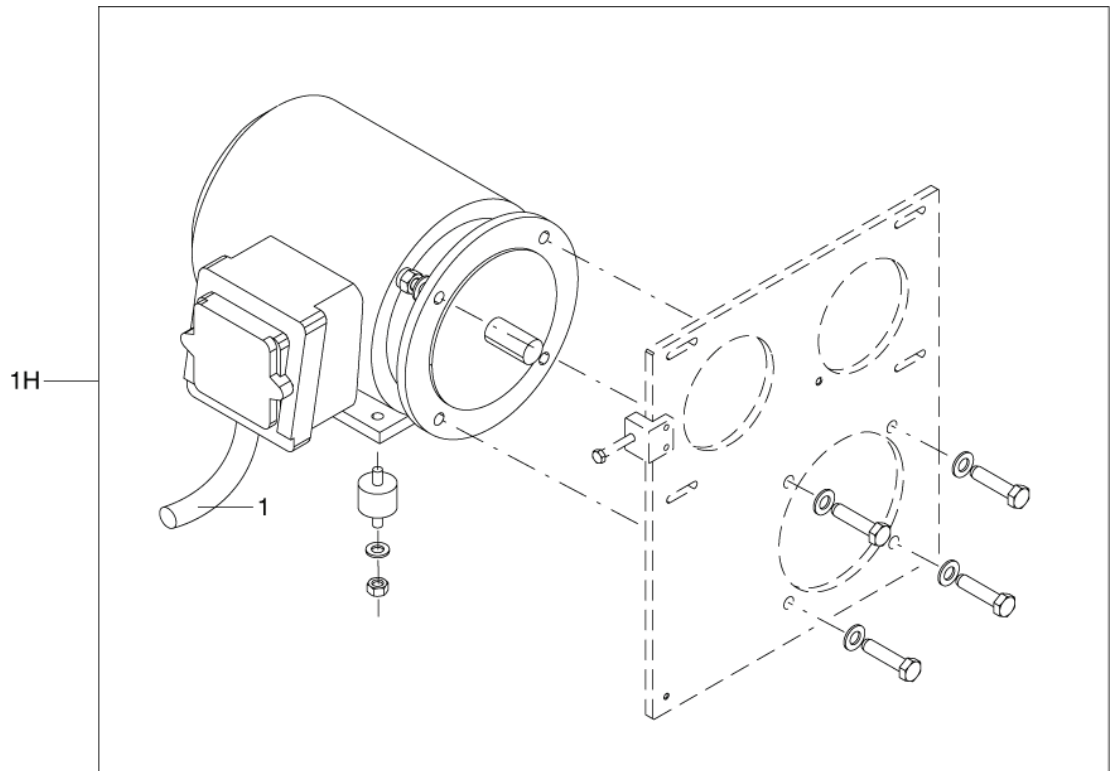
Suction unit 03

CTT 40 L-M-H

01-10-2012

Part List ID
CTT40LMH15

17



Suction unit 03

CTT 40 L-M-H

01-10-2012

Part List ID
C I 140LMH15

18

Pos	Part no.	Qty	Description
1	Z8 391079	1	CABLE CONN.MOT. 4G2.5 SIL. MOD.3508-T40
1H	40000742	1	ENGINE KIT

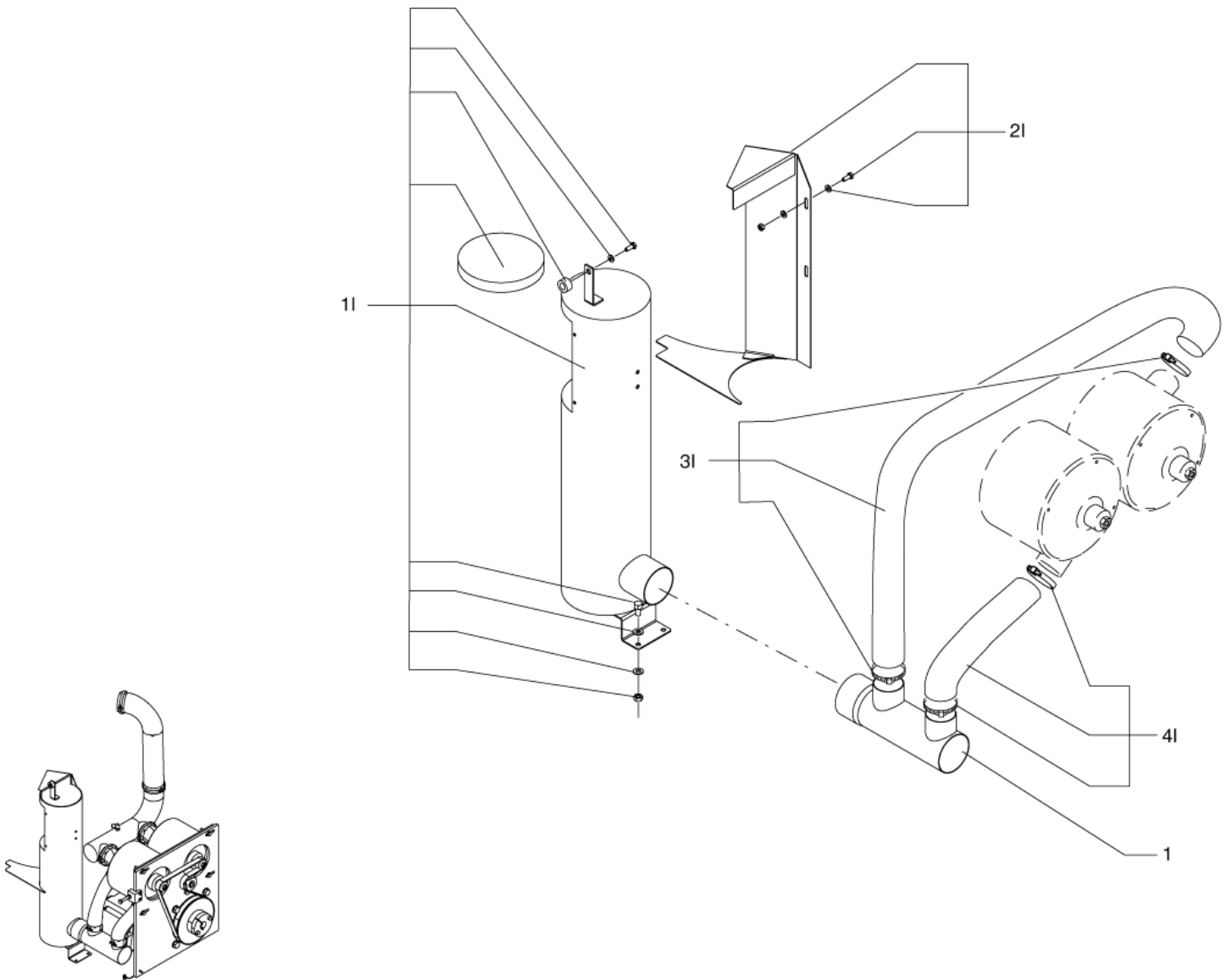
Suction unit 04

CTT 40 L-M-H

01-10-2012

Part List ID
CTT40LMH17

19



Suction unit 04

CTT 40 L-M-H

01-10-2012

Part List ID
C1140LMH17

20

Pos	Part no.	Qty	Description
1	4083200591	1	REDUCTION GEAR D.71 INT/50/50 FE MOD.CTT
1I	40000717	1	SILENCER KIT
2I	40000718	1	CONVEYOR KIT FOR SILENCER
3I	40000743	1	TURBINE HOSE KIT LONG SILENCER
4I	40000744	1	TURBINE HOSE KIT SHORT SILENCER

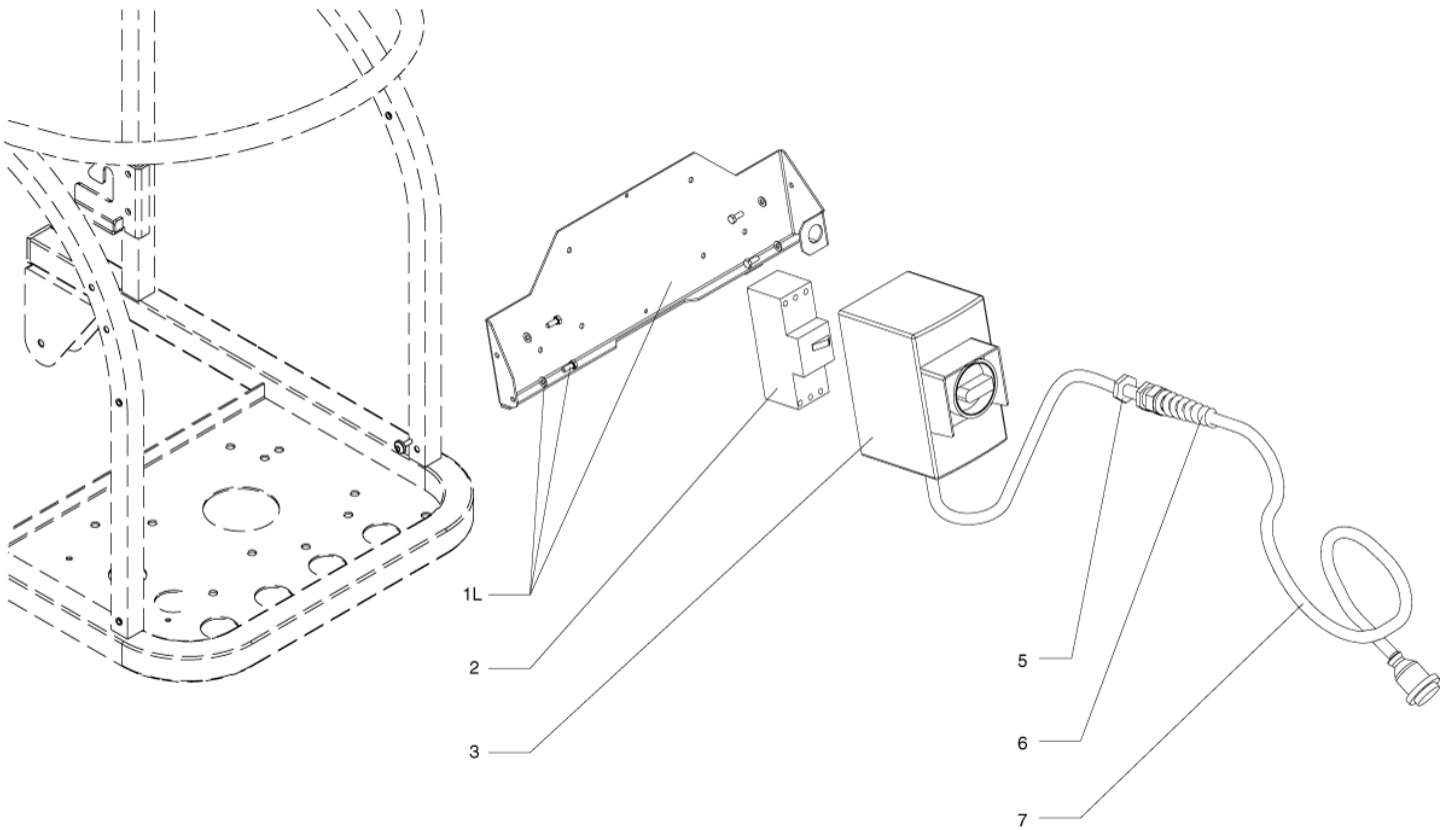
Electric board

CTT 40 L-M-H

01-10-2012

Part List ID
CTT40LMH19

21



Electric board

CTT 40 L-M-H

01-10-2012

Part List ID
C I 140LMH19

22

Pos	Part no.	Qty	Description
2	Z8 39318	1	CIRCUIT BREAKER 7-10 A SIRIUS S0
3	4083901284	1	BOX CIRCUIT BREAKER+SF IP65 SIRIUS S0
5	Z8 39568	1	METAL RING NUT PG16
6	Z8 39060	1	CABLE GLAND PG16 PA SPRING
7	4083901287	1	CABLE SUP. 4G2.5 NE.SP16A 5PP 9M
7	Z8 39937	1	CABLE SUP. 4G2.5 NE. SP16 9M
1L	40000719	1	I.E. SUPPORT KIT

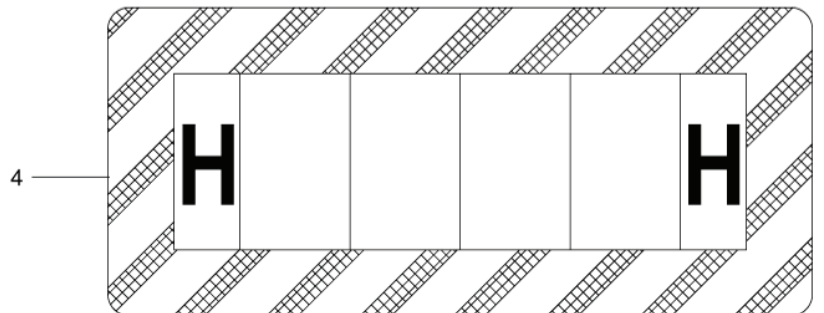
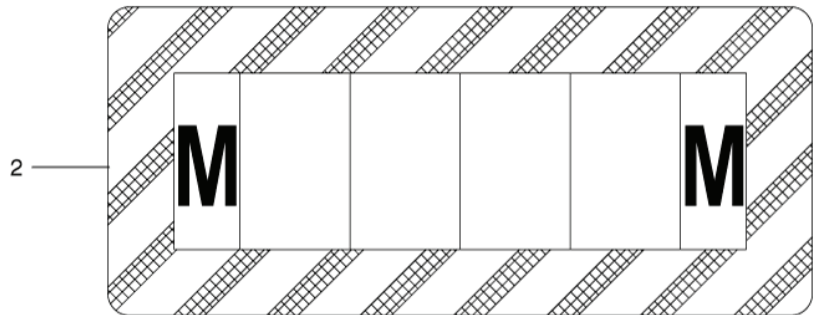
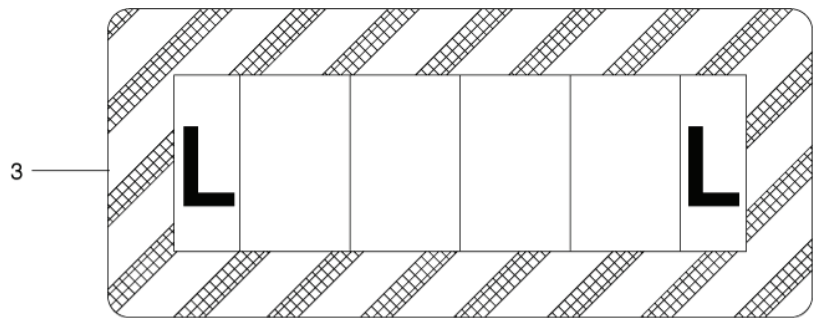
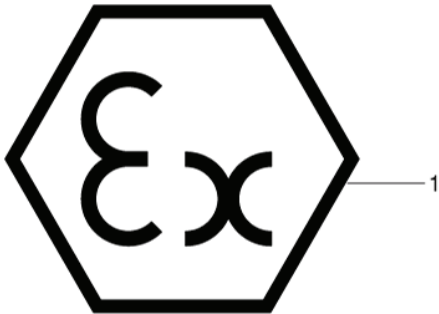
L/M/H & ATEX Label

CTT 40 L-M-H

01-10-2012

Part List ID
CTT40LMH21

23



L/M/H & ATEX Label

CTT 40 L-M-H

01-10-2012

Part List ID
C I 140LMH21

24

Pos	Part no.	Qty	Description
2	Z8 17551	1	LABEL CATEGORY M
3	Z8 17550	1	LABEL CATEGORY L
4	Z8 17552	1	LABEL CATEGORY H