

Clemas & Co Ltd

Industrial Cleaning Equipment
Sales - Hire - Service

CV30/1H HAZARDOUS VAC PARTS MANUAL

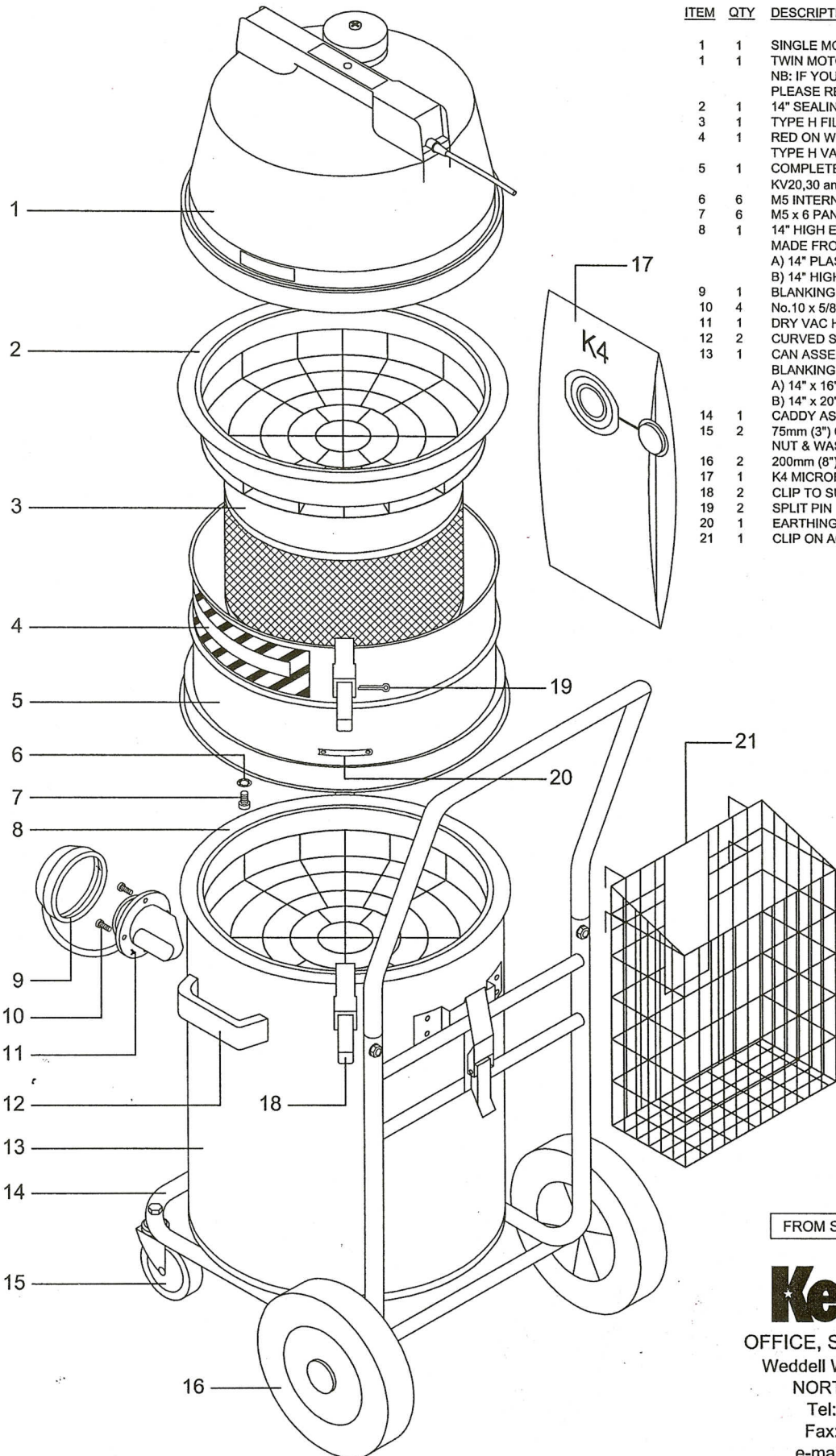


Clemas & Co. Unit 5 Ashchurch Business Centre, Alexandra Way, Tewkesbury,
Gloucestershire, GL20 8NB.

Tel: 01684 850777 **Fax:** 01684 850707

Email: info@clemas.co.uk **Web:** www.clemas.co.uk

KV30/1&2 and KV45/1&2 TYPE H



ITEM	QTY	DESCRIPTION
1	1	SINGLE MOTOR HEAD ASSEMBLY FOR KV20,30 and 45/1H
1	1	TWIN MOTOR HEAD ASSEMBLY FOR KV20,30 and 45/2H
NB: IF YOU REQUIRE FURTHER SPARES FOR ITEM No.1 PLEASE REFER TO APPROPRIATE DRAWINGS		
2	1	14" SEALING RING and FRAME
3	1	TYPE H FILTER CARTRIDGE FOR KV20-50H
4	1	RED ON WHITE STATUTORY WARNING LABEL FOR TYPE H VACUUM CLEANERS
5	1	COMPLETE TYPE H CARTRIDGE UNIT FOR KV20,30 and 45H (INCLUDING ITEM No. 2,3,4,5,6,7,19 & 20)
6	6	M5 INTERNAL SHAKEPROOF WASHER BZP
7	6	M5 x 6 PAN HEAD POZI SCREW BZP
8	1	14" HIGH EFFICIENCY FILTER ASSEMBLY MADE FROM 2 PARTS:- A) 14" PLASTIC FILTER FRAME B) 14" HIGH EFFICIENCY FILTER CLOTH
9	1	BLANKING CAP AND STRAP
10	4	No.10 x 5/8" PAN POZI PLASTITE SCREW
11	1	DRY VAC HOSE ENTRY SPIGOT
12	2	CURVED SURFACE HANDLE WITH BOLTS & WASHERS
13	1	CAN ASSEMBLY WITH FITTED CLIPS, HANDLES, SPIGOT, BLANKING CAP and CADDY BRACKET:- 2 SIZES A) 14" x 16" FOR KV30H B) 14" x 20" FOR KV45H
14	1	CADDY ASSEMBLY TO SUIT KV30 & 45
15	2	75mm (3") CADDY CASTOR WITH M10 x 50 BOLT, NUT & WASHER
16	2	200mm (8") WHEEL WITH WASHER & CAP
17	1	K4 MICROFIBRE BAG (PACKET OF 5)
18	2	CLIP TO SUIT TYPE H UNIT
19	2	SPLIT PIN
20	1	EARTHING STRIP (CURVED TYPE)
21	1	CLIP ON ACCESSORY / TOOL BASKET TO SUIT CADDY

FROM SERIAL No. 09C 21796

Kerstar (UK) Ltd
 OFFICE, SHOWROOMS & WORKS
 Weddell Way, Brackmills Ind. Estate
 NORTHAMPTON NN4 7HS
 Tel: +44 (0)1604 760455
 Fax: +44 (0)1604 701022
 e-mail: sales@kerstar.co.uk
 www.kerstar.co.uk