



Clemas & Co Ltd

Industrial Cleaning Equipment
Sales - Hire - Service

KERSTAR CV50 WET & DRY VACUUM CLEANER PARTS MANUAL



Clemas & Co. Unit 5 Ashchurch Business Centre, Alexandra Way, Tewkesbury,
Gloucestershire, GL20 8NB.

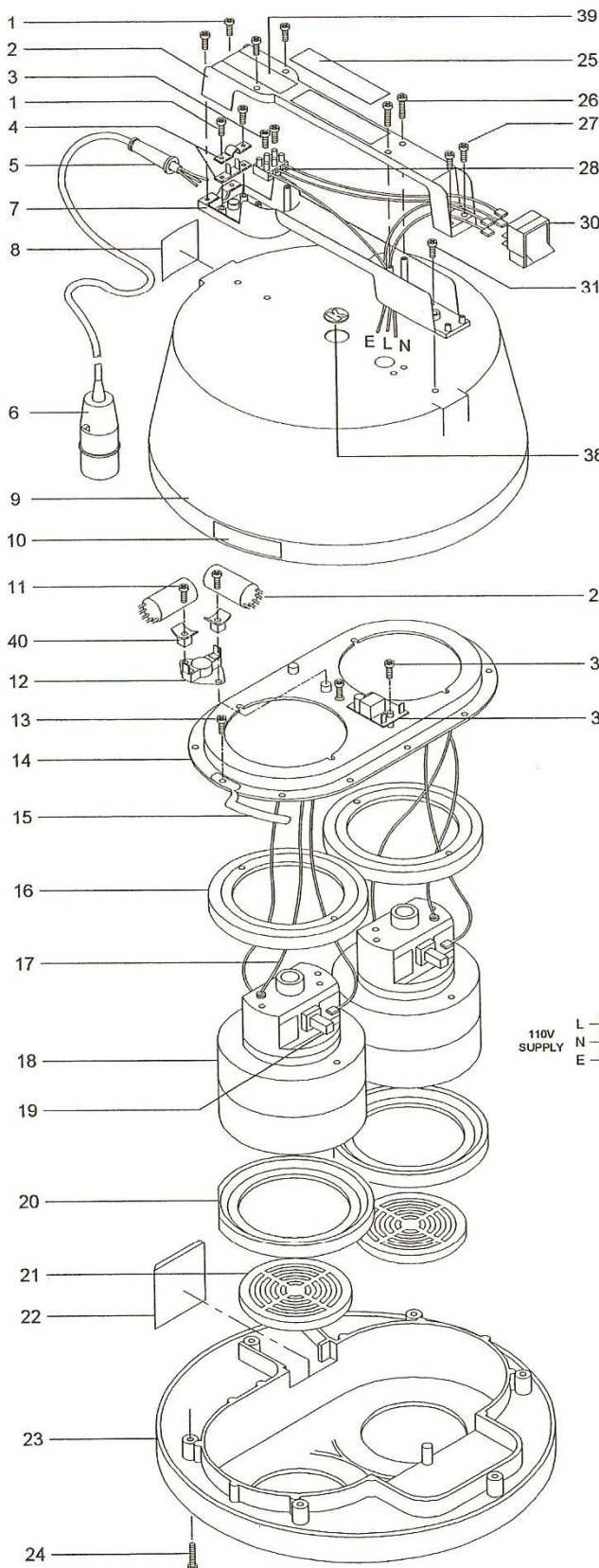
Tel: 01684 850777

Fax: 01684 850707

Email: info@clemas.co.uk

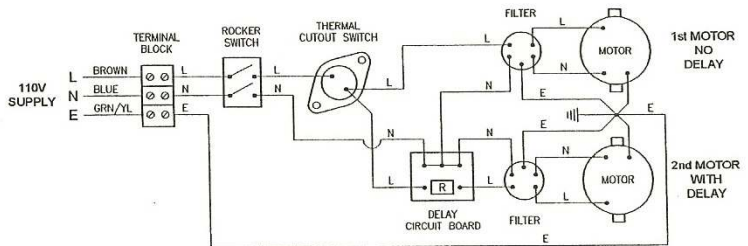
Web: www.clemas.co.uk

VACUUM HEAD FOR MODELS: KV20/2, KV25/2, KV30/2, KV45/2 & KV50/2 (110V ONLY)

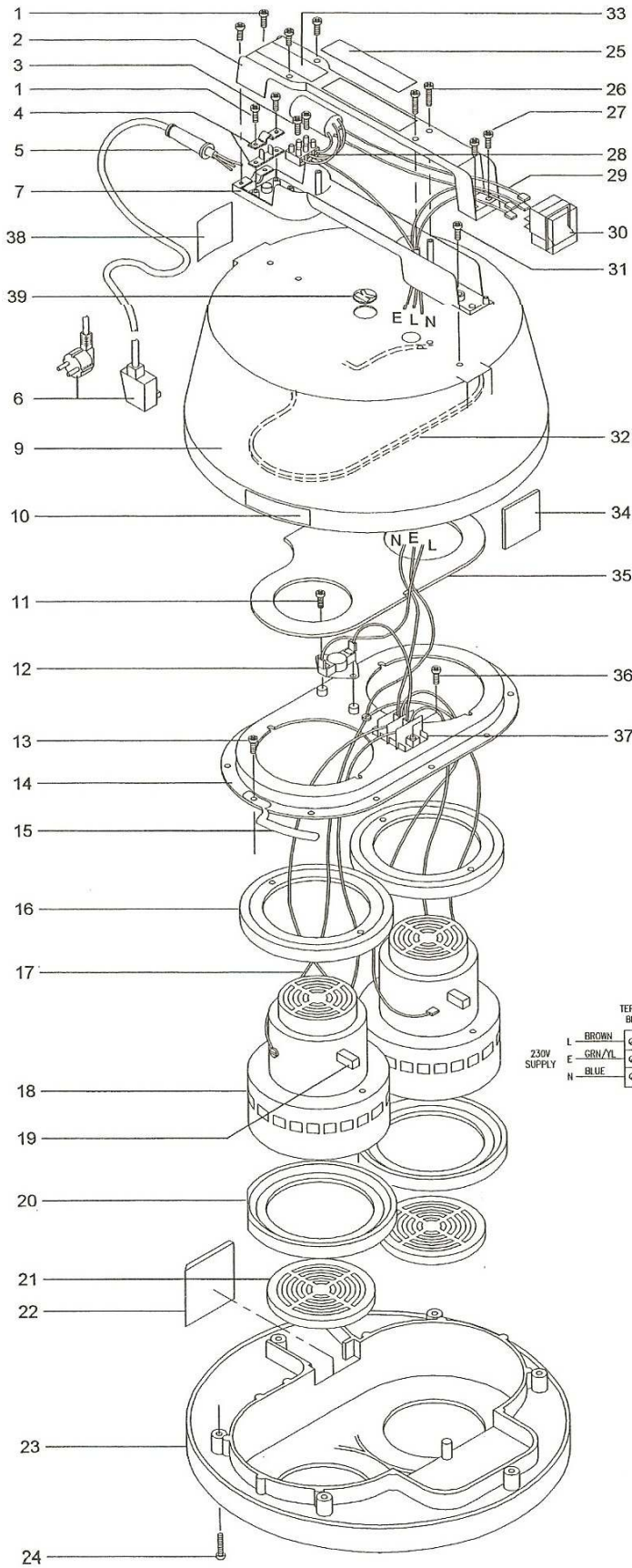


ITEM	QTY	DESCRIPTION
1	4	No.6 x 5/8" PLASTITE SCREW
2	1	HANDLE COVER
3	2	No.4 x 3/4" SELF TAP SCREW
4	1	CABLE CLAMP (2 PARTS)
5	1	RUBBER CABLE GROMMET
6	1	CABLE/16A YELLOW 110V PLUG PACK 1.50 3 CORE x 10M
7	1	HANDLE MouldING
8	1	"DRY VAC ONLY" LABEL
9	1	TOP COVER
10	1	"CLIP HERE TO EARTH BOND CAN" YELLOW LABEL
11	3	M4 x 12 PAN HEAD SCREW
12	1	THERMAL SWITCH
13	13	No.8 x 3/4" PLASTITE SCREW
14	1	TWIN MOTOR RETENTION PLATE
15	1	EARTHING STRIP FOR CAN (NOT FITTED TO KV25 & KV50)
16	2	MOTOR MOUNTING RING MK.IV
17	2	EARTH LEAD (270mm)
18	2	110V 1,000W DIRECT AIRFLOW MOTOR
19	1PR	CARBON BRUSHES FOR 110V 1,000W D.A.F OR B.P MOTOR
20	2	MOTOR MOUNTING RING MK.III
21	2	MOTOR GRILL
22	1	BLANKING PLATE LARGE
23	1	MOTOR PLATE FOR TWIN MOTOR HEAD
24	6	No.8 x 1" PLASTITE SCREW
25	1	ALUMINIUM RATING PLATE
26	4	No.6 x 1" PLASTITE SCREW
27	2	No.6 x 1/2" PLASTITE SCREW
28	1	TERMINAL BLOCK 3 WAY
29	2	FILTER TYPE 204
30	1	DRY VAC ROCKER SWITCH
31	5	No.8 x 3/4" PLASTITE SCREW
32		NOT APPLICABLE FOR THIS MODEL
33		NOT APPLICABLE FOR THIS MODEL
34		NOT APPLICABLE FOR THIS MODEL
35		NOT APPLICABLE FOR THIS MODEL
36	2	No.6 x 1" SELF TAP SCREW
37	1	110V DELAY START CIRCUIT BOARD
38	1	KERSTAR LOGO LABEL
39	1	"110V ONLY" RED ON WHITE LABEL
40	2	SADDLE FOR FILTER

WIRING DIAGRAM

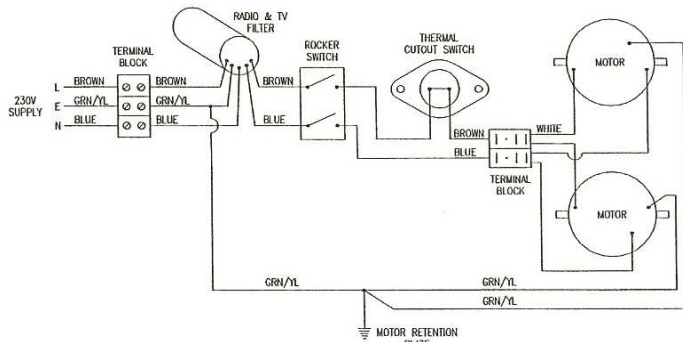


VACUUM HEAD FOR MODELS: KV20/2, KV25/2, KV30/2, KV45/2, KV50/2 & KV100/2 W&D (230V ONLY)

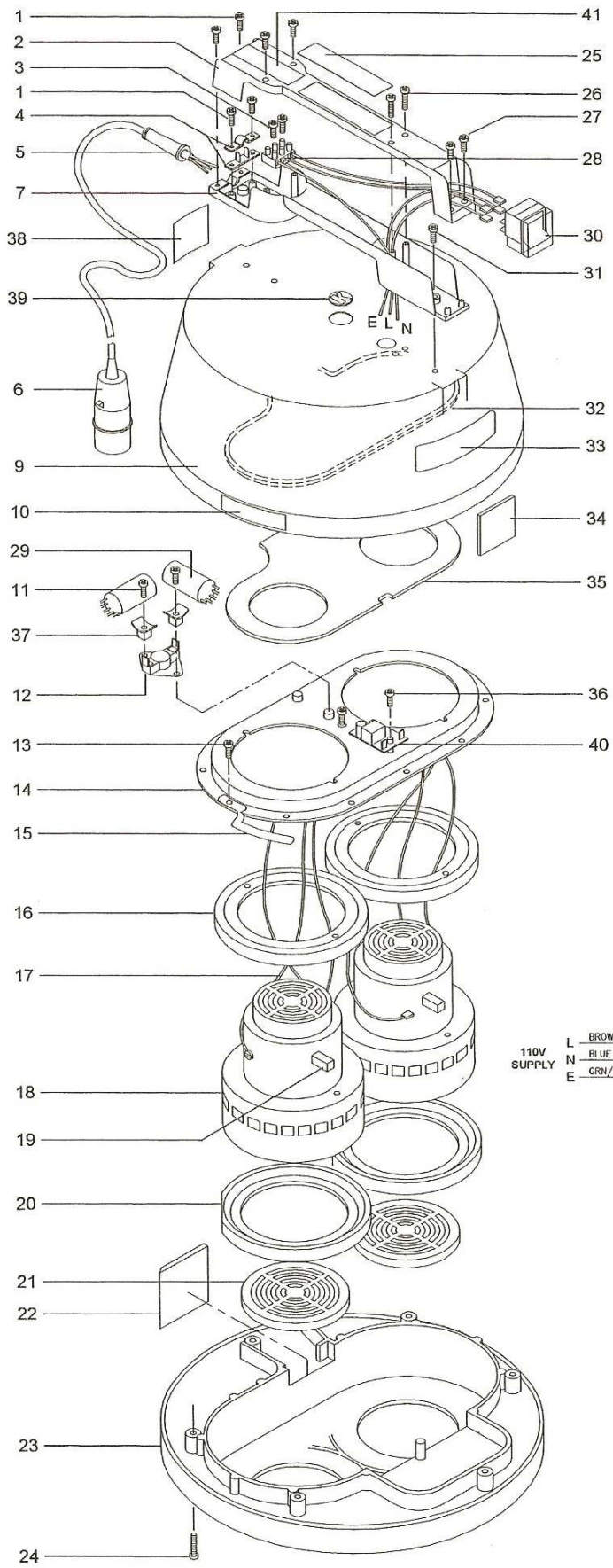


ITEM	QTY	DESCRIPTION
1	4	No.6 x 5/8" PLASTITE SCREW
2	1	HANDLE COVER
3	2	No.4 x 3/4" SELF TAP SCREW
4	1	CABLE CLAMP (2 PARTS)
5	1	RUBBER CABLE GROMMET
6	1	CABLE/UK PLUG PACK 1.50 3 CORE x 10M
6	1	CABLE/EURO PLUG PACK 1.50 3 CORE x 10M
7	1	HANDLE MOULDING
8	1	NOT APPLICABLE FOR THIS MODEL
9	1	TOP COVER
10	1	"CLIP HERE TO EARTH BOND CAN" YELLOW LABEL
11	3	M4 x 12 PAN HEAD SCREW
12	1	THERMAL SWITCH
13	13	No.6 x 3/4" PLASTITE SCREW
14	1	TWIN MOTOR RETENTION PLATE
15	1	EARTHING STRIP FOR CAN (NOT FITTED TO KV25, KV50 & KV100)
16	2	MOTOR MOUNTING RING MK.IV
17	2	EARTH LEAD (270mm)
18	2	230V 1,000W BYPASS COOLING MOTOR
19	1PR	CARBON BRUSHES FOR 230V 1,000W D.A.F OR B.P MOTOR
20	2	MOTOR MOUNTING RING MK.III
21	2	MOTOR GRILL
22	1	BLANKING PLATE LARGE
23	1	MOTOR PLATE FOR TWIN MOTOR HEAD
24	6	No.8 x 1" PLASTITE SCREW
25	1	ALUMINIUM RATING PLATE
26	4	No.6 x 1" PLASTITE SCREW
27	2	No.6 x 1/2" PLASTITE SCREW
28	1	TERMINAL BLOCK 3 WAY
29	1	FILTER TYPE 206
30	1	WET & DRY ROCKER SWITCH
31	5	No.8 x 3/4" PLASTITE SCREW
32	1	4mm x 6mm S/A FOAM RUBBER SEAL
33	1	"WET & DRY" GOLD ON BLACK LABEL
34	1	BLANKING PLATE SMALL
35	1	TWIN MOTOR DIVIDER PLATE
36	2	No.6 x 1" SELF TAP SCREW
37	1	2 WAY TERMINAL BLOCK
38	1	" IF FOAM/LIQUID - - - - " RED ON WHITE LABEL
38	1	" IF LIQUID IS - - - - " RED ON WHITE LABEL
38	1	4 LANGUAGE - ENGLISH, FRENCH, GERMAN & DUTCH
39	1	KERSTAR LOGO LABEL

WIRING DIAGRAM

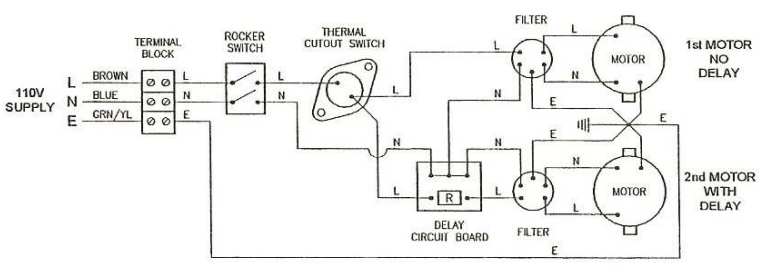


VACUUM HEAD FOR MODELS: KV20/2, KV25/2, KV30/2, KV45/2, KV50/2 & KV100/2 W&D (110V ONLY)

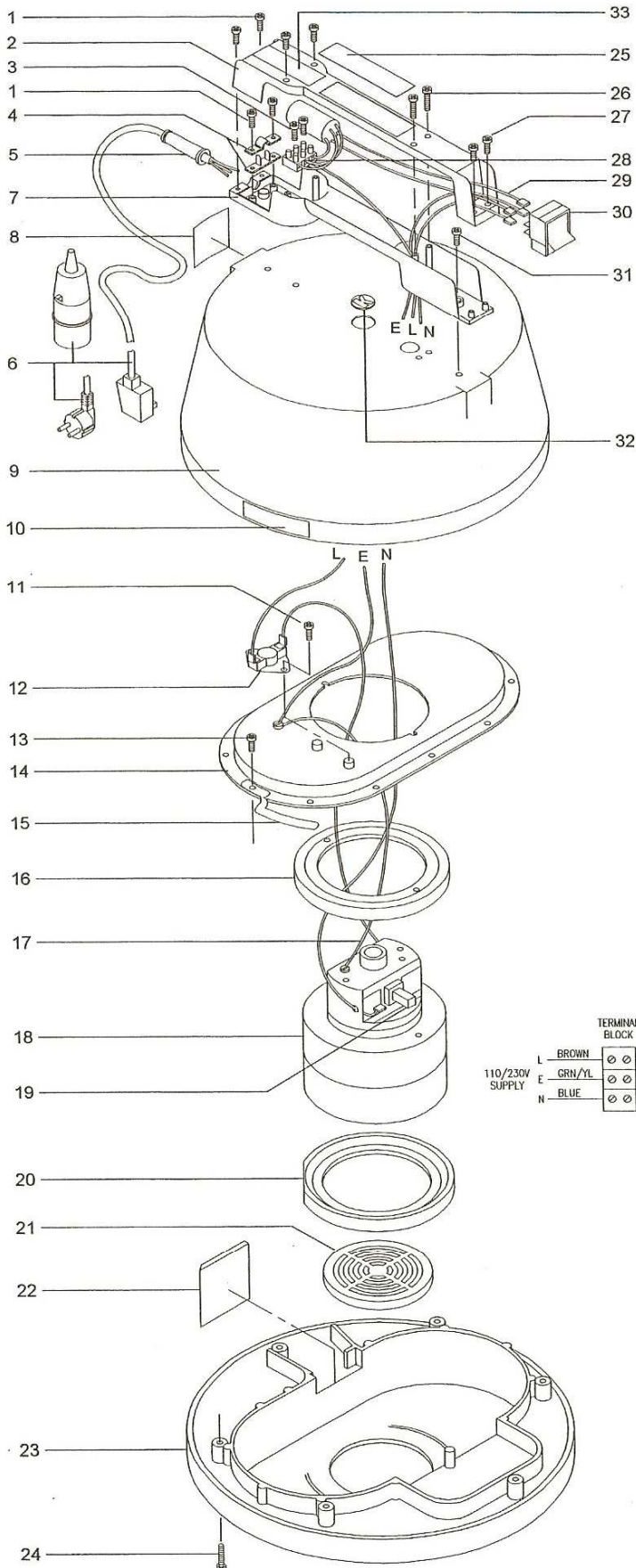


ITEM	QTY	DESCRIPTION
1	4	No.6 x 5/8" PLASTITE SCREW
2	1	HANDLE COVER
3	2	No.4 x 3/4" SELF TAP SCREW
4	1	CABLE CLAMP (2 PARTS)
5	1	RUBBER CABLE GROMMET
6	1	CABLE/16A YELLOW 110V PLUG PACK 1.50 3 CORE x 10M
7	1	HANDLE MouldING
8	1	NOT APPLICABLE FOR THIS MODEL
9	1	TOP COVER
10	1	"CLIP HERE TO EARTH BOND CAN" YELLOW LABEL
11	3	M4 x 12 PAN HEAD SCREW
12	1	THERMAL SWITCH
13	13	No.8 x 3/4" PLASTITE SCREW
14	1	TWIN MOTOR RETENTION PLATE
15	1	EARTHING STRIP FOR CAN (NOT FITTED TO KV25, KV50 & KV100)
16	2	MOTOR MOUNTING RING MK.IV
17	2	EARTH LEAD (270mm)
18	2	110V 1,000W BYPASS COOLING MOTOR
19	1PR	CARBON BRUSHES FOR 110V 1,000W D.A.F OR B.P MOTOR
20	2	MOTOR MOUNTING RING MK.III
21	2	MOTOR GRILL
22	1	BLANKING PLATE LARGE
23	1	MOTOR PLATE FOR TWIN MOTOR HEAD
24	6	No.8 x 1" PLASTITE SCREW
25	1	ALUMINIUM RATING PLATE
26	4	No.6 x 1" PLASTITE SCREW
27	2	No.6 x 1/2" PLASTITE SCREW
28	1	TERMINAL BLOCK 3 WAY
29	2	FILTER TYPE 204
30	1	WET & DRY VAC ROCKER SWITCH
31	5	No.8 x 3/4" PLASTITE SCREW
32	1	4mm x 6mm S/A FOAM RUBBER SEAL
33	1	"WET & DRY" GOLD ON BLACK LABEL
34	1	BLANKING PLATE SMALL
35	1	TWIN MOTOR DIVIDER PLATE
36	2	No.6 x 1" SELF TAP SCREW
37	2	SADDLE FOR FILTER
38	1	"IF FOAM/LIQUID - - - -" RED ON WHITE LABEL
39	1	KERSTAR LOGO LABEL
40	1	110V DELAY START CIRCUIT BOARD
41	1	"110V ONLY" RED ON WHITE LABEL

WIRING DIAGRAM

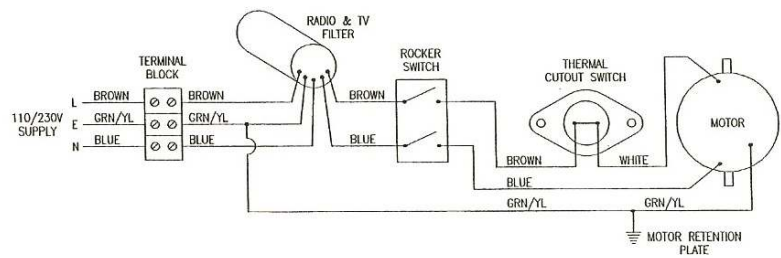


VACUUM HEAD FOR MODELS: KV20/1, KV25/1, KV30/1, KV45/1 & KV50/1

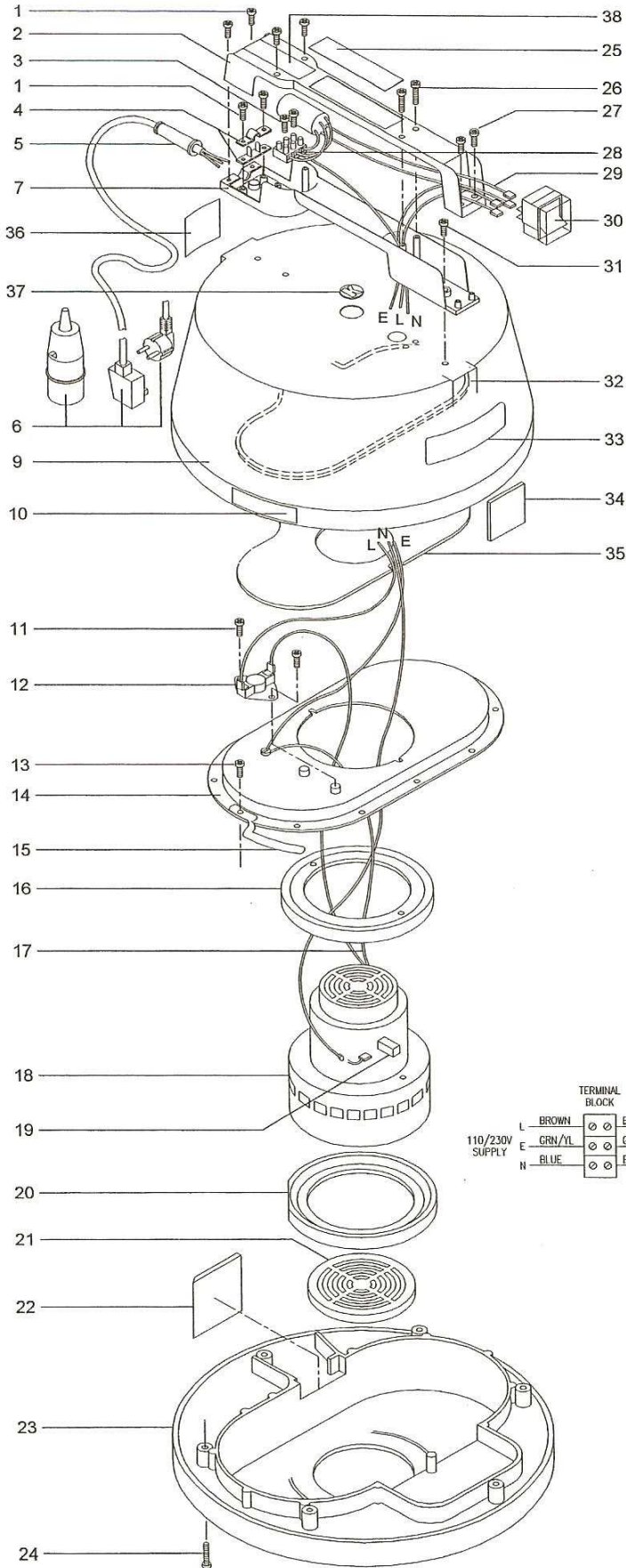


ITEM	QTY	DESCRIPTION
1	4	No.6 x 5/8" PLASTITE SCREW
2	1	HANDLE COVER
3	2	No.4 x 3/4" SELF TAP SCREW
4	1	CABLE CLAMP (2 PARTS)
5	1	RUBBER CABLE GROMMET
6	1	CABLE/UK PLUG PACK 0.75 3 CORE x 10M
6	1	CABLE/EURO PLUG PACK 0.75 3 CORE x 10M
6	1	CABLE/16A YELLOW 110V PLUG PACK 1.00 3 CORE x 10M
7	1	HANDLE MouldING
8	1	"DRY VAC ONLY" LABEL
8	1	"DRY VAC ONLY" LABEL, 4 LANGUAGE ENGLISH, FRENCH, GERMAN & DUTCH
9	1	TOP COVER
10	1	"CLIP HERE TO EARTH BOND CAN" YELLOW LABEL
11	3	M4 x 12 PAN HEAD SCREW
12	1	THERMAL CUTOFF SWITCH
13	13	No.8 x 3/4" PLASTITE SCREW
14	1	SINGLE MOTOR RETENTION PLATE
15	1	EARTHING STRIP FOR CAN (NOT FITTED TO KV25 AND KV50)
16	1	MOTOR MOUNTING RING MKIV
17	1	EARTH LEAD (270mm)
18	1	230V 1,000W DIRECT AIRFLOW MOTOR
18	1	110V 1,000W DIRECT AIRFLOW MOTOR
19	1PR	CARBON BRUSHES FOR 230V 1,000W D.A.F OR B.P MOTOR
19	1PR	CARBON BRUSHES FOR 110V 1,000W D.A.F OR B.P MOTOR
20	1	MOTOR MOUNTING RING MK.III
21	1	MOTOR GRILL
22	1	BLANKING PLATE LARGE
23	1	MOTOR PLATE FOR SINGLE MOTOR HEAD
24	6	No.8 x 1" PLASTITE SCREW
25	1	ALUMINIUM RATING PLATE
26	4	No.6 x 1" PLASTITE SCREW
27	2	No.6 x 1/2" PLASTITE SCREW
28	1	TERMINAL BLOCK 3 WAY
29	1	FILTER TYPE 206
30	1	DRY VAC ROCKER SWITCH
31	5	No.8 x 3/4" PLASTITE SCREW
32	1	KERSTAR LOGO LABEL
33	1	"110V ONLY" RED ON WHITE LABEL

WIRING DIAGRAM

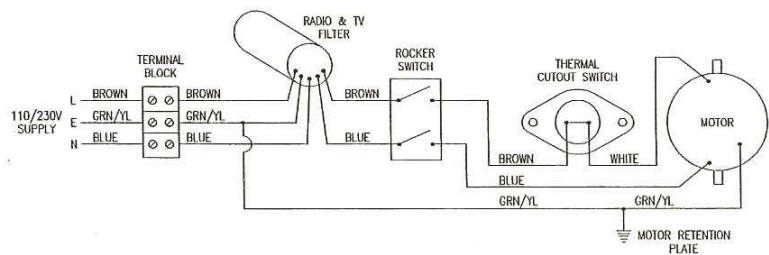


VACUUM HEAD FOR MODELS: KV20/1, KV25/1, KV30/1, KV45/1, KV50/1 & KV100/1 W&D

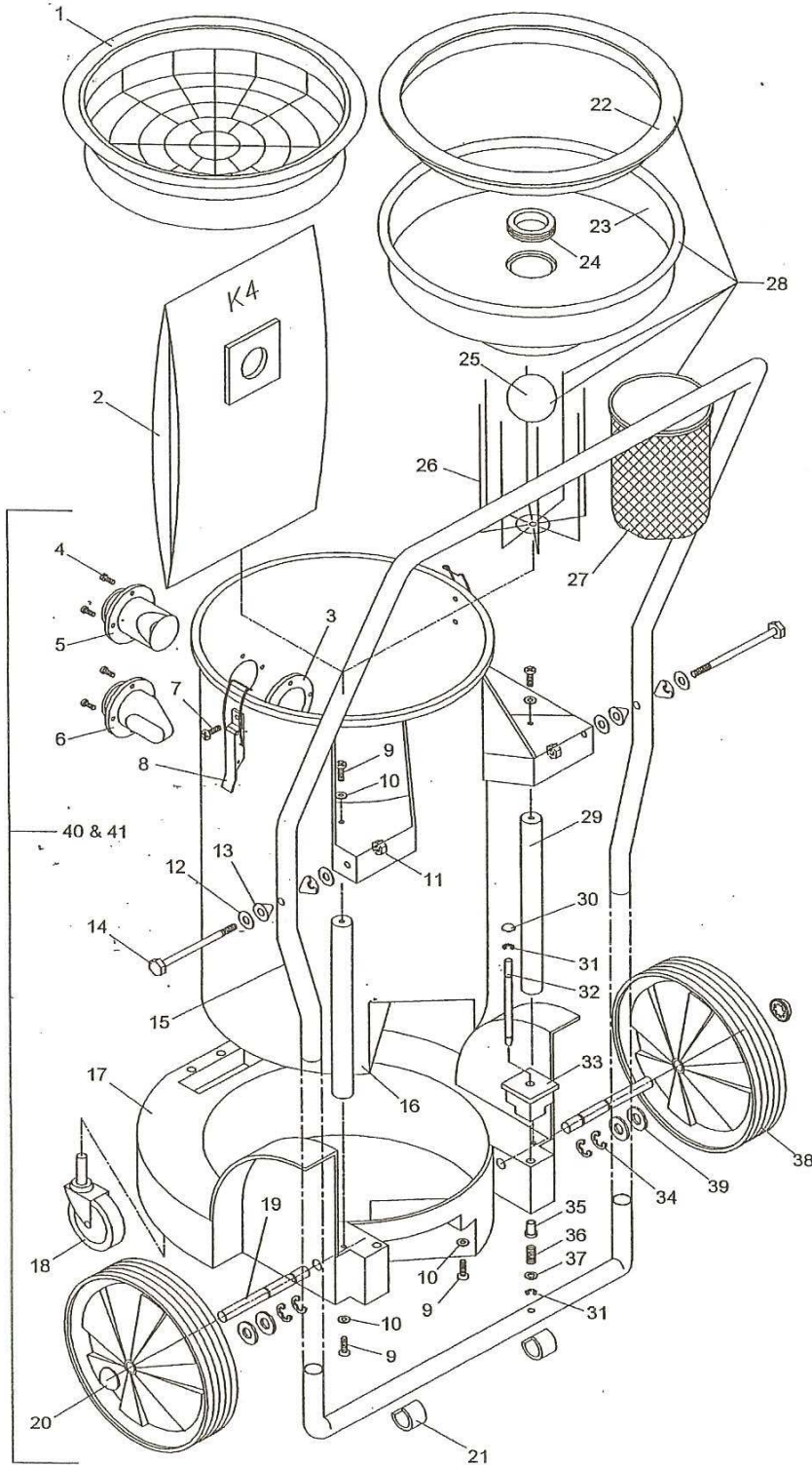


ITEM	QTY	DESCRIPTION
1	4	No.6 x 5/8" PLASTITE SCREW
2	1	HANDLE COVER
3	2	No.4 x 3/4" SELF TAP SCREW
4	1	CABLE CLAMP (2 PARTS)
5	1	RUBBER CABLE GROMMET
6	1	CABLE/UK PLUG PACK 0.75 3 CORE x 10M
6	1	CABLE/EURO PLUG PACK 0.75 3 CORE x 10M
6	1	CABLE/16A YELLOW 110V PLUG PACK 1.00 3 CORE x 10M
7	1	HANDLE MouldING
8	1	NOT APPLICABLE FOR THIS MODEL
9	1	TOP COVER
10	1	"CLIP HERE TO EARTH BOND CAN" YELLOW LABEL
11	3	M4 x 12 PAN HEAD SCREW
12	1	THERMAL CUTOUT SWITCH
13	13	No.8 x 3/4" PLASTITE SCREW
14	1	SINGLE MOTOR RETENTION PLATE
15	1	EARTHING STRIP FOR CAN (NOT FITTED TO KV25, KV50 AND KV100)
16	1	MOTOR MOUNTING RING MKIV
17	1	EARTH LEAD (270mm)
18	1	230V 1,000W BYPASS COOLING MOTOR
18	1	110V 1,000W BYPASS COOLING MOTOR
19	1PR	CARBON BRUSHES FOR 230V 1,000W D.A.F OR B.P MOTOR
19	1PR	CARBON BRUSHES FOR 110V 1,000W D.A.F OR B.P MOTOR
20	1	MOTOR MOUNTING RING MK.III
21	1	MOTOR GRILL
22	1	BLANKING PLATE LARGE
23	1	MOTOR PLATE FOR SINGLE MOTOR HEAD
24	6	No.8 x 1" PLASTITE SCREW
25	1	ALUMINIUM RATING PLATE
26	4	No.6 x 1" PLASTITE SCREW
27	2	No.6 x 1/2" PLASTITE SCREW
28	1	TERMINAL BLOCK 3 WAY
29	1	FILTER TYPE 206
30	1	WET & DRY ROCKER SWITCH
31	5	No.8 x 3/4" PLASTITE SCREW
32	1	4mm x 6mm S/A FOAM RUBBER SEAL
33	1	"WET & DRY" GOLD ON BLACK LABEL
34	1	BLANKING PLATE SMALL
35	1	SINGLE MOTOR DIVIDER PLATE
36	1	" IF LIQUID/FOAM ----- " RED ON WHITE LABEL
36	1	" IF LIQUID IS ----- " RED ON WHITE LABEL 4 LANGUAGE - ENGLISH, FRENCH, GERMAN & DUTCH
37	1	KERSTAR LOGO LABEL
38	1	"110V ONLY" RED ON WHITE LABEL

WIRING DIAGRAM

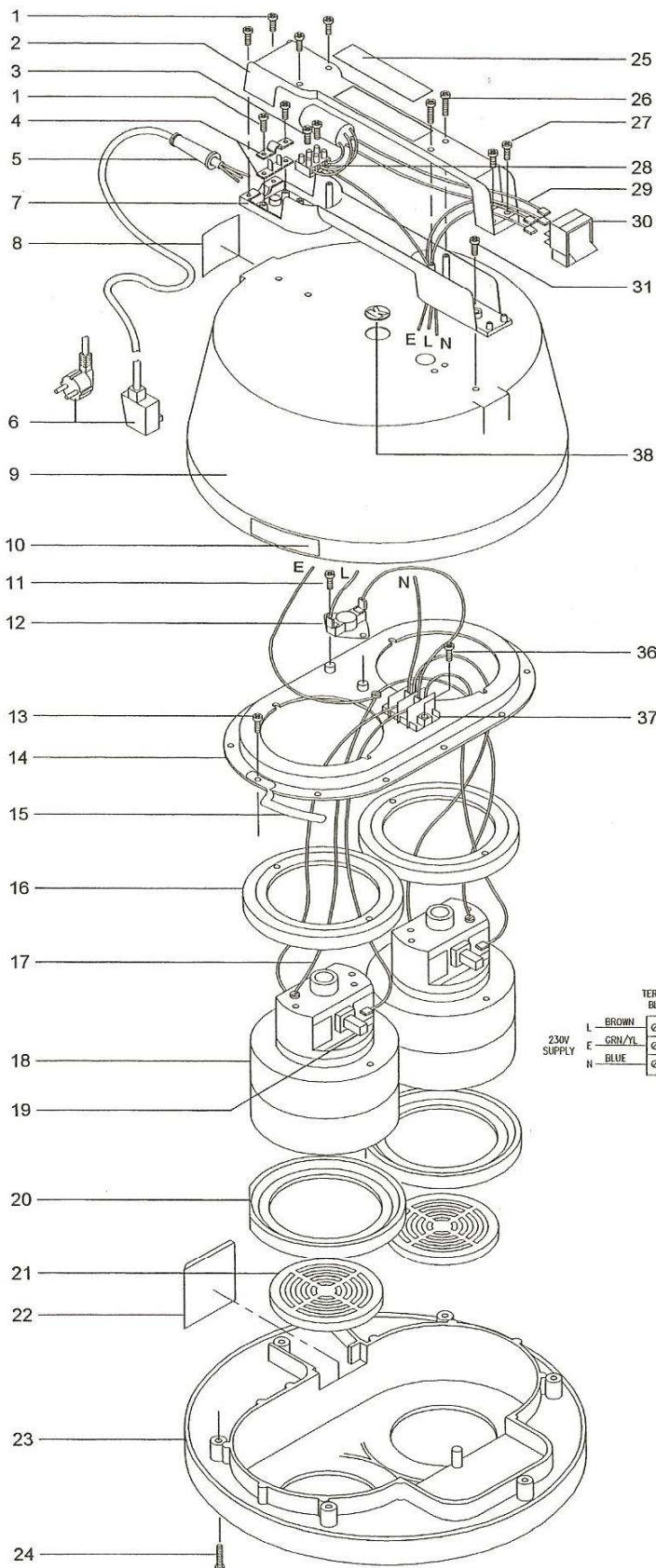


KV50 DRY and W/D CAN ASSEMBLY



ITEM	QTY	DESCRIPTION
1	1	14" STANDARD FILTER ASSEMBLY MADE FROM 2 PARTS:- A) 14" PLASTIC FILTER FRAME B) 14" STANDARD FILTER CLOTH
2	1	K4 PAPER BAG
3	1	HOSE ENTRY SPIGOT RETAINER
4	4	No.10 x 5/8" PAN POZI PLASTITE
5	1	WET/DRY VAC HOSE ENTRY SPIGOT
6	1	DRY VAC HOSE ENTRY SPIGOT
7	4	M5 x 12 PAN POZI BZP SCREW
8	2	CLIP IN BLACK
9	7	No.10 x 3/4" PAN POZI PLASTITE
10	7	5mm x 12.5mm WASHER BZP
11	2	M8 NYLOC NUT
12	4	8mm x 25mm WASHER
13	4	8mm x 25mm BLACK CURVED PLASTIC WASHER
14	2	M8 x 130 BOLT
15	1	KV50 ONE PART HANDLE
16	1	KV50 PLASTIC CAN ONLY (NO CLIP OR HOSE ENTRY)
17	1	KV50 CHASSIS MOULDING
18	2	75mm PUSH IN CASTOR
19	2	14mm REAR WHEEL AXLE
20	2	14mm CAPPED STARLOCK WASHER
21	2	SADDLE FOOT
22	1	14" EXTRUSION FOR FLOAT PLATE
23	1	14" FLOAT PLATE
24	1	RUBBER SEAL FOR 70mm BALL FLOAT
25	1	70mm BALL FLOAT
26	1	FLOAT CAGE
27	1	NET FILTER FOR FLOAT CAGE
28	1	14" FLOAT ASSEMBLY (INCLUDING NET FILTER)
29	2	300mm x 25mm SUPPORT ROD
30	1	8mm CAPPED STARLOCK WASHER
31	2	8mm E TYPE CIRCLIP
32	1	8mm HANDLE RELEASE PIN
33	1	HANDLE RELEASE KNOB
34	4	14mm E TYPE CIRCLIP
35	1	8mm NYLON BUSH
36	1	SPRING FOR HANDLE RELEASE PIN
37	1	8mm WASHER
38	2	REAR WHEEL 250mm
39	4	14mm WASHER
40	1	KV50 WD CAN ASSEMBLY
41	1	KV50 CAN ASSEMBLY

VACUUM HEAD FOR MODELS: KV20/2, KV25/2, KV30/2, KV45/2 & KV50/2 (230V ONLY)



ITEM	QTY	DESCRIPTION
1	4	No.6 x 5/8" PLASTITE SCREW
2	1	HANDLE COVER
3	2	No.4 x 3/4" SELF TAP SCREW
4	1	CABLE CLAMP (2 PARTS)
5	1	RUBBER CABLE GROMMET
6	1	CABLE/UK PLUG PACK 1.50 3 CORE x 10M
6	1	CABLE/EURO PLUG PACK 1.50 3 CORE x 10M
7	1	HANDLE MOULDING
8	1	"DRY VAC ONLY" LABEL
8	1	"DRY VAC ONLY" LABEL, 4 LANGUAGE ENGLISH, FRENCH, GERMAN & DUTCH
9	1	TOP COVER
10	1	"CLIP HERE TO EARTH BOND CAN" YELLOW LABEL
11	3	M4 x 12 PAN HEAD SCREW
12	1	THERMAL SWITCH
13	13	No.8 x 3/4" PLASTITE SCREW
14	1	TWIN MOTOR RETENTION PLATE
15	1	EARTHING STRIP FOR CAN (NOT FITTED TO KV25 & KV50)
16	2	MOTOR MOUNTING RING MK.IV
17	2	EARTH LEAD (270mm)
18	2	230V 1,000W DIRECT AIRFLOW MOTOR
19	1PR	CARBON BRUSHES FOR 230V 1,000W D.A.F OR B.P MOTOR
20	2	MOTOR MOUNTING RING MK.III
21	2	MOTOR GRILL
22	1	BLANKING PLATE LARGE
23	1	MOTOR PLATE FOR TWIN MOTOR HEAD
24	6	No.8 x 1" PLASTITE SCREW
25	1	ALUMINIUM RATING PLATE
26	4	No.6 x 1" PLASTITE SCREW
27	2	No.6 x 1/2" PLASTITE SCREW
28	1	TERMINAL BLOCK 3 WAY
29	1	FILTER TYPE 206
30	1	DRY VAC ROCKER SWITCH
31	5	No.8 x 3/4" PLASTITE SCREW
32		NOT APPLICABLE FOR THIS MODEL
33		NOT APPLICABLE FOR THIS MODEL
34		NOT APPLICABLE FOR THIS MODEL
35		NOT APPLICABLE FOR THIS MODEL
36	2	No.6 x 1" SELF TAP SCREW
37	1	2 WAY TERMINAL BLOCK
38	1	KERSTAR LOGO LABEL

WIRING DIAGRAM

