



Clemas & Co Ltd

Industrial Cleaning Equipment
Sales - Hire - Service

KERSTAR CV65 & CV110 DRY INDUSTRIAL VACUUM CLEANER PARTS MANUAL



Clemas & Co. Unit 5 Ashchurch Business Centre, Alexandra Way, Tewkesbury,
Gloucestershire, GL20 8NB.

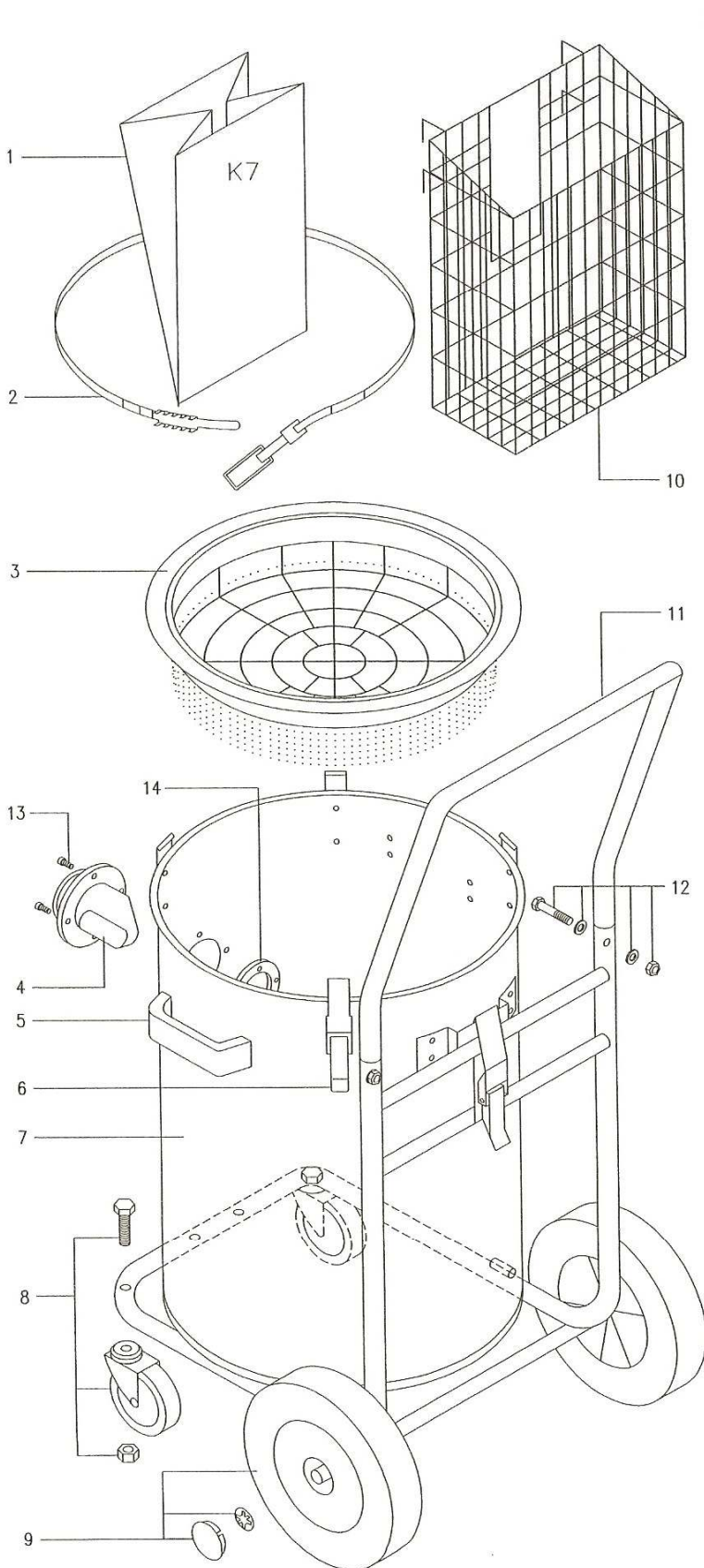
Tel: 01684 850777

Fax: 01684 850707

Email: info@clemas.co.uk

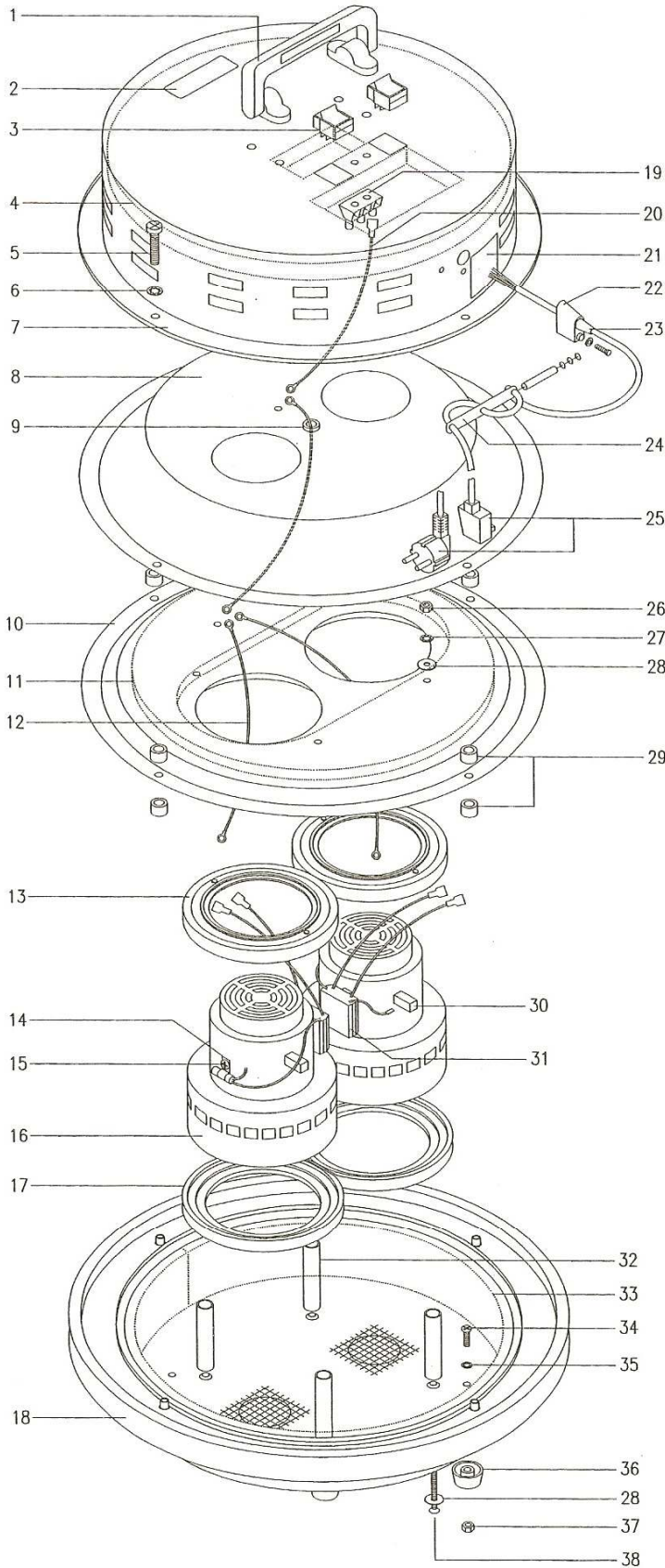
Web: www.clemas.co.uk

KV65/2&3 AND KV110/2&3 DRY VAC BOTTOM CAN ON CADDY



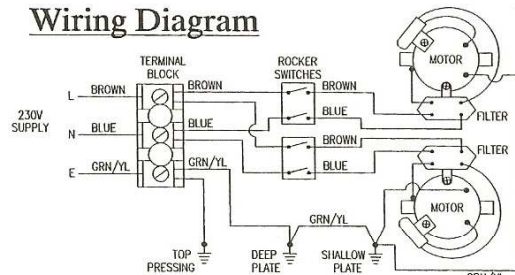
| ITEM No | QTY | DESCRIPTION |
|---------|-----|---|
| 1 | 1 | K7 PAPER FILTER |
| 2 | 1 | STRAP FOR 18" CAN – USED IN CONJUNCTION WITH K7 PAPER FILTER |
| 3 | 1 | 18" STANDARD FILTER ASSEMBLY MADE UP FROM 2 PARTS:- a. 18" METAL FILTER FRAME b. 18" STANDARD FILTER CLOTH |
| 4 | 1 | DRY VAC HOSE ENTRY SPIGOT |
| 5 | 2 | CURVED SURFACE HANDLE WITH BOLTS & WASHERS |
| 6 | 4 | CLIP |
| 7 | 1 | CAN ASSEMBLY WITH FITTED SPIGOT, CLIPS, HANDLES & CADDY BRACKET 2 SIZES:- 18" x 20" FOR KV65 18" x 27" FOR KV110 |
| 8 | 2 | 3" CADDY CASTOR WITH NUT & BOLT |
| 9 | 2 | 8" DIA. REAR WHEEL WITH STARLOCK WASHER & CAP |
| 10 | 1 | CLIP ON ACCESSORY/TOOL BASKET TO SUIT ALL CADDIES (EXCEPT TIP ACTION CADDY) |
| 11 | 1 | CADDY ASSEMBLY TO SUIT KV65 & KV110 |
| 12 | 2 | M6 x 35 BOLT, WASHERS & NUT FOR CADDY HANDLE |
| 13 | 4 | No.10 x 1/2 PAN POZI PLASTITE |
| 14 | 1 | HOSE ENTRY SPIGOT RETAINER |

KV65/2 & KV110/2 TWIN MOTOR VAC HEAD

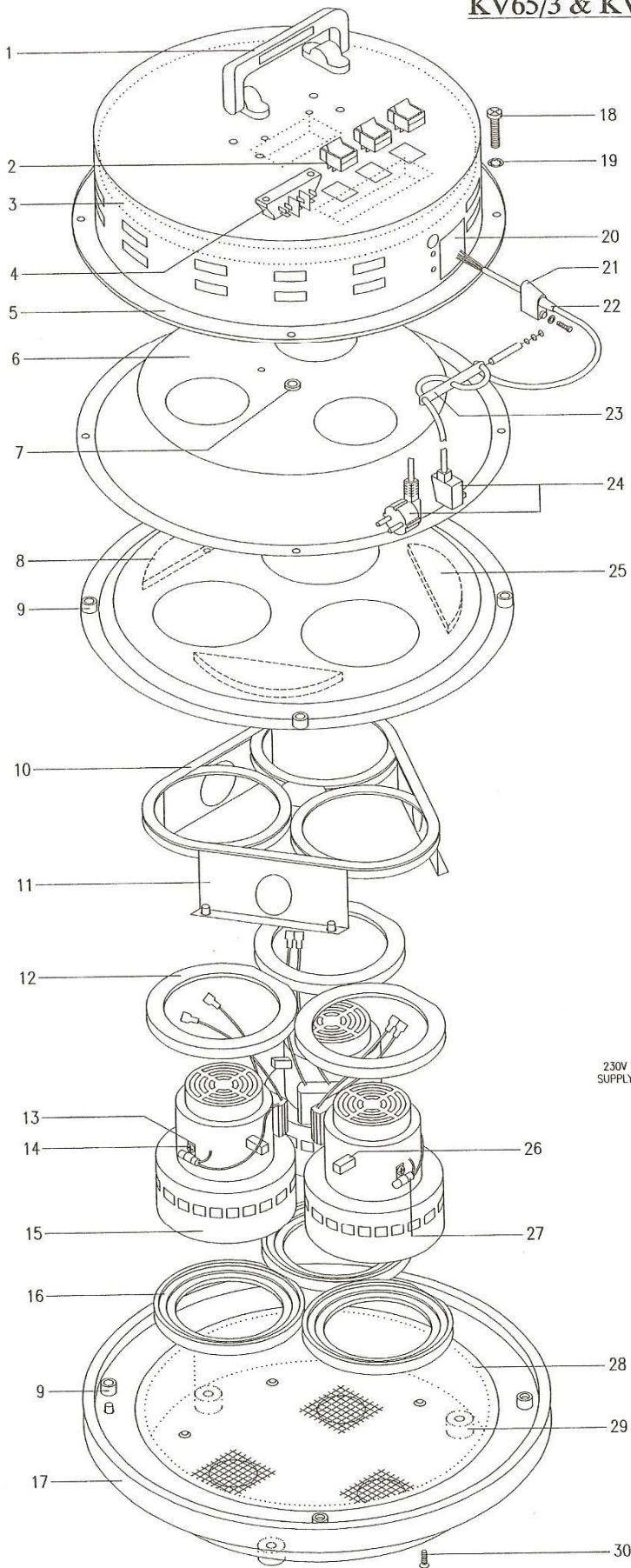


| ITEM No | QTY | DESCRIPTION |
|---------|-----|---|
| 1 | 1 | FLIP FLOP HANDLE ASSEMBLY |
| 2 | 1 | WET & DRY WARNING LABEL - FOR MODELS KV65/2 W&D AND KV110/2 W&D ONLY |
| 3 | 2 | DRY VAC ROCKER SWITCH - FOR DRY MODELS ONLY |
| 3 | 2 | WET & DRY ROCKER SWITCH WITH CLEAR PROTECTIVE COVER - FOR WET & DRY MODELS ONLY |
| 4 | 1 | FOAM SILENCING CIRCULAR FOR TOP COVER |
| 5 | 4 | M6 x 25 PAN HEAD SCREW BZP |
| 6 | 4 | M6 INTERNAL SHAKEPROOF WASHER BZP |
| 7 | 1 | TOP PRESSING (INC. HANDLE) 18" 2 MOTOR |
| 8 | 1 | DEEP PLATE 18" 2 MOTOR |
| 9 | 1 | RUBBER PANEL GROMMET FOR DEEP PLATE |
| 10 | 1 | SHALLOW PLATE 18" 2 MOTOR |
| 11 | 1 | FOAM SILENCING FOR SHALLOW PLATE |
| 12 | 3 | EARTH LEAD (270mm) |
| 13 | 2 | MOTOR MOUNTING RING MK.IV |
| 14 | 2 | RETAINING CLIP FOR THERMAL SWITCH |
| 15 | 2 | M4 x 6 PAN HEAD POZI SCREW AND M4 SHAKEPROOF WASHER |
| 16 | 2 | 230V 1,000W BYPASS COOLING MOTOR |
| 16 | 2 | 110V 1,000W BYPASS COOLING MOTOR |
| 17 | 2 | MOTOR MOUNTING RING MK.III |
| 18 | 1 | MOTOR MOUNTING PLATE 18" 2 MOTOR (INC. PLASTIC FEET) |
| 19 | 1 | TERMINAL BLOCK |
| 20 | 1 | EARTH LEAD (400mm) |
| 21 | 1 | "DRY VAC ONLY" LABEL FOR DRY VAC MODELS ONLY |
| 22 | 1 | CABLE CLAMP (INC.SCREW & CABLE GROMMET) |
| 23 | 1 | CABLE GROMMET |
| 24 | 1 | CABLE RESTRAINT |
| 25 | 1 | CABLE/UK PLUG PACK 1.5 3 CORE x 10M |
| 25 | 1 | CABLE/SCHUKO EUROPEAN PLUG PACK 1.5 3 CORE x 10M |
| 25 | 1 | CABLE 1.5 3 CORE x 10M NEOPRENE H07RNF (110V) |
| 26 | 4 | M6 NUT BZP |
| 27 | 4 | M6 INTERNAL SHAKEPROOF WASHER BZP |
| 28 | 8 | 1/4" ID x 3/4" OD WASHER BZP |
| 29 | 8 | SHORT BLACK PLASTIC SPACER |
| 30 | 1PR | CARBON BRUSHES FOR 230V 1,000W BYPASS COOLING MOTOR |
| 30 | 1PR | CARBON BRUSHES FOR 110V 1,000W BYPASS COOLING MOTOR |
| 31 | 2 | 230V FILTER/THERMAL SWITCH (M1/604 TYPE) |
| 31 | 2 | 110V FILTER/THERMAL SWITCH (M1/619 TYPE) |
| 32 | 4 | LONG BLACK PLASTIC SPACER |
| 33 | 1 | FOAM SILENCING FOR MOTOR PLATE |
| 34 | 4 | M5 x 16 PAN POZI SCREW BZP |
| 35 | 4 | M5 INTERNAL SHAKEPROOF WASHER BZP |
| 36 | 4 | BLACK PLASTIC FOOT |
| 37 | 4 | M5 NUT BZP |
| 38 | 4 | M6 x 100 PAN POZI SCREW BZP |

Wiring Diagram



KV65/3 & KV110/3 THREE MOTOR VAC HEAD



| ITEM No | QTY | DESCRIPTION |
|---------|-----|--|
| 1 | 1 | FLIP FLOP HANDLE ASSEMBLY |
| 2 | 3 | DRY VAC ROCKER SWITCH |
| 3 | 1 | FOAM SILENCING CIRCULAR FOR TOP COVER |
| 4 | 1 | TERMINAL BLOCK |
| 5 | 1 | TOP PRESSING (INC. HANDLE) 18" 3 MOTOR |
| 6 | 1 | DEEP PLATE 18" 3 MOTOR |
| 7 | 1 | RUBBER PANEL GROMMET FOR DEEP PLATE |
| 8 | 1 | SHALLOW PLATE 18" 3 MOTOR |
| 9 | 8 | SHORT BLACK PLASTIC SPACER |
| 10 | 1 | FOAM RUBBER SEAL - 1.75M x 12mm x 3mm |
| 11 | 1 | THREE MOTOR BRACKET |
| 12 | 3 | MOTOR MOUNTING RING MK.I |
| 13 | 3 | RETAINING CLIP FOR THERMAL SWITCH |
| 14 | 3 | M4 x 6 PAN HEAD POZI SCREW AND M4 SHAKEPROOF WASHER |
| 15 | 3 | 230V 1,000W BYPASS COOLING MOTOR |
| 15 | 3 | 110V 1,000W BYPASS COOLING MOTOR |
| 16 | 3 | MOTOR MOUNTING RING MK.III |
| 17 | 1 | MOTOR MOUNTING PLATE 18" 3 MOTOR (INC. PLASTIC FEET) |
| 18 | 4 | M6 x 25 PAN HEAD SCREW BZP |
| 19 | 4 | M6 INTERNAL SHAKEPROOF WASHER BZP |
| 20 | 1 | "DRY VAC ONLY" LABEL |
| 21 | 1 | CABLE CLAMP (INC.SCREW & RUBBER GROMMET) |
| 22 | 1 | RUBBER CABLE GROMMET |
| 23 | 1 | CABLE RESTRAINT |
| 24 | 1 | CABLE/UK PLUG PACK 1.5 3 CORE x 10M |
| 24 | 1 | CABLE/SCHUKO EUROPEAN PLUG PACK 1.5 3 CORE x 10M |
| 24 | 1 | CABLE ONLY 2.5 3 CORE x 10M NEOPRENE HO7RNF (110V) |
| 25 | 3 | FOAM SILENCING FOR SHALLOW PLATE |
| 26 | 1PR | CARBON BRUSHES FOR 230V 1,000W BYPASS COOLING MOTOR |
| 26 | 1PR | CARBON BRUSHES FOR 110V 1,000W BYPASS COOLING MOTOR |
| 27 | 3 | 230V FILTER/THERMAL SWITCH (M1/604 TYPE) |
| 27 | 3 | 110V FILTER/THERMAL SWITCH (M1/619 TYPE) |
| 28 | 1 | FOAM SILENCING FOR MOTOR PLATE |
| 29 | 3 | BLACK PLASTIC FOOT |
| 30 | 6 | M6 x 20 C/SUNK SCREW BZP |

Wiring Diagram

