

# Clemas & Co Ltd

Industrial Cleaning Equipment  
Sales - Hire - Service

## Fiorentini Baby Vacuum



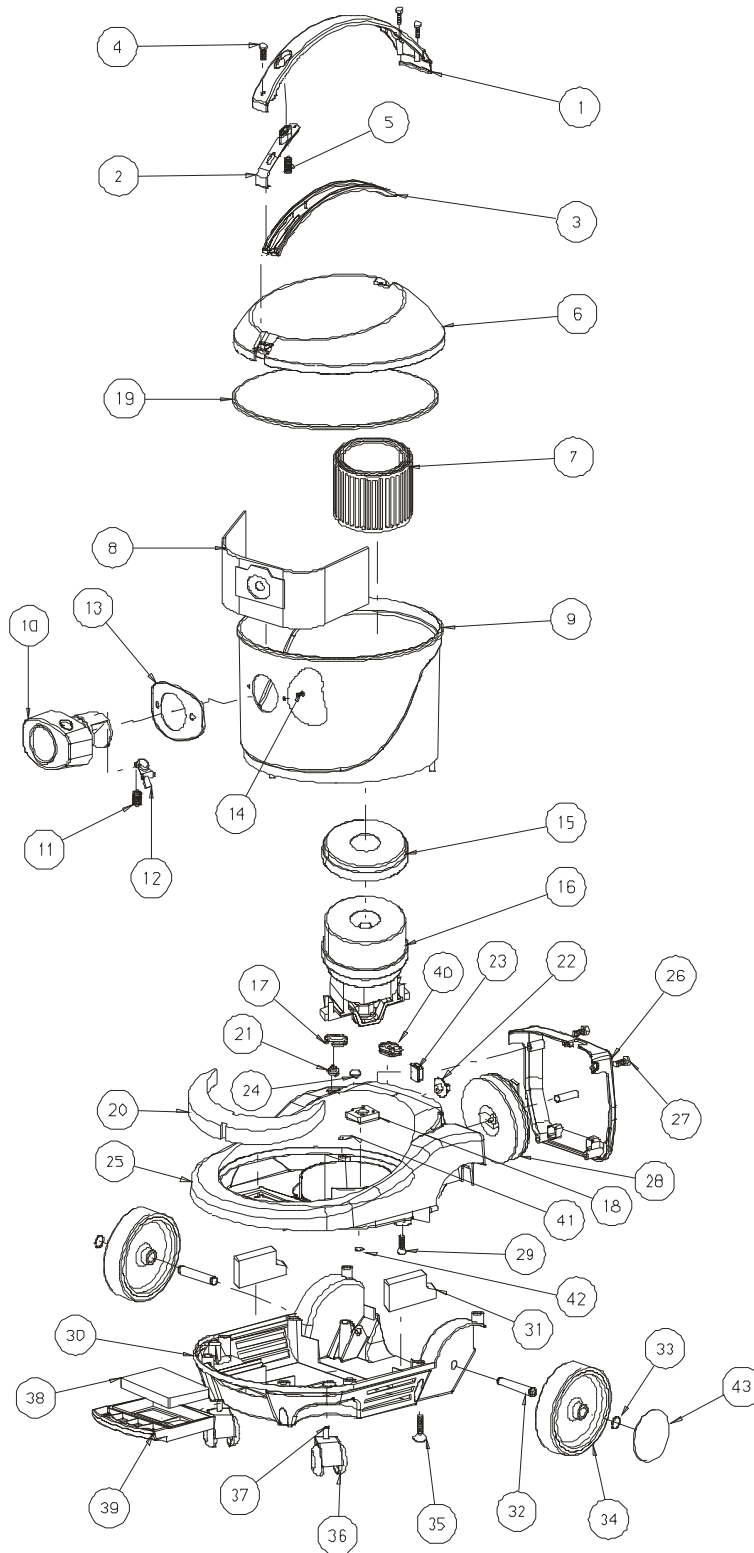
## PARTS MANUAL

Clemas & Co. Unit 5 Ashchurch Business Centre, Alexandra Way, Tewkesbury,  
Gloucestershire, GL20 8NB.

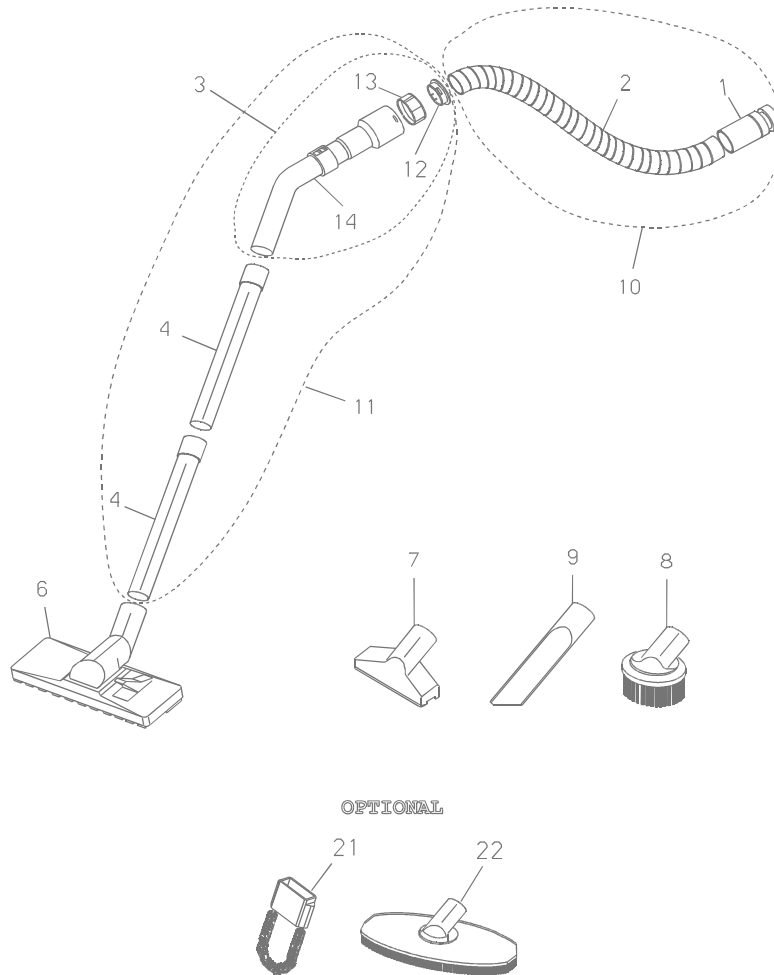
Tel: 01684 850777 Fax: 01684 850707

Email: [info@clemas.co.uk](mailto:info@clemas.co.uk) Web: [www.clemas.co.uk](http://www.clemas.co.uk)

PARTI DI RICAMBIO - SPARE PARTS - PIECES DETACHEES - ERSATZTEILE



N.Posit	Code	Qta	Descrizione	Description	Description	Bezeichnung
BABY.A.01	CZ010	1	IMPUGNATURA SUPERIORE	PLASTI HANDLE	POIGNEE	KUNSTSTOFFGRIFF
BABY.A.02	CC016	1	GANCIO IMPUGNATURA	GALVANIZED	CROCHET	VERZINKTER HAKEN
BABY.A.03	CZ009	1	IMPUGNATURA INFERIORE	PLASTI HANDLE	POIGNEE	KUNSTSTOFFGRIFF
BABY.A.04	VA251	3	VITE AUTOF.TC CROCE 3,9x13	SCREW	VIS	SCHRAUBE
BABY.A.05	ML136	1	MOLLA	SPRING	RESSORT	FEDER
BABY.A.06	CZ005	1	COPERCHIO CONTENITORE	COVER	COUVERCLE	DECKEL
BABY.A.07	FT053	1	FILTRO A CARTUCCIA	CARTRIDGE FILTER	FILTRE	EINSATZLFILTER
BABY.A.08	SF815	1	SACCO CARTA	PAPER FILTER BAG	SAC PAPIER	SACK PAPIER
BABY.A.09	CN114	1	FUSTO	ABS SHAFT	CUVE ABS	SCHAFT
BABY.A.10	BC007	1	BOCCHETTONE	UNION	GOULOTTE	STUTZEN
BABY.A.11	ML137	1	MOLLA	SPRING	RESSORT	FEDER
BABY.A.12	SE004	1	LEVETTA	LEVER	LEVIER	HEBEL
BABY.A.13	GO044	1	GUARNIZIONE BOCCHETTONE	UNION BASKET	GARNITURE	STUTZENDICHTUNG
BABY.A.14	VA225	2	VITE AUTOF.TC CROCE 4.8x16	SCREW	VIS	SCHRAUBE
BABY.A.15	GR157	1	GUARNIZIONE SUPERIORE MOTORE	MOTOR GASKET	GARNITURE	L-DICHTUNG
BABY.A.16	MO471	1	MOTORE ASPIRAZIONE 1200W	SUCTION MOTOR	MOTEUR ASPIRATION	ANSAUGMOTOR
BABY.A.17	TO007	1	TAPPO ACCENSIONE	STARTING CAP	BOUCHON-ALLUMAGE	ZUNDUNGSTOPSEL
BABY.A.18	GR163	1	GUARNIZIONE INFERIORE MOTORE	MOTOR GASKET	GARNITURE	L-DICHTUNG
BABY.A.19	GO045	1	PROFILO IN GOMMA	POLIESTIC MAT.	MAT POLIESTIC	POL.KUNSTSTOFF
BABY.A.20	FO042	1	MAT. POLIESTIC	POLIESTIC MAT.	MAT POLIESTIC	POL.KUNSTSTOFF
BABY.A.21	IN103	1	INTERRUTTORE	SWITCH	INTERRUPTEUR	SCHALTER
BABY.A.22	PY687	1	PRESSOSTATO	PRESSARE SWITCH	PRESSOSTAT	DRUCKWACHTER
BABY.A.23	TO001	1	TAPPO	PLUG	BOUCHON	STOPFEN
BABY.A.24	PY688	1	SEGNALATORE NEON ROSSO	RED NEON INDICATOR	INDICATEUR ROUGE	ROTNEONANZEIGER
BABY.A.25	DF011	1	COPERCHIO FERMA MOTORE	DISC	DISQUE	SCHEIBE
BABY.A.26	CZ018	1	COPERCHIO AVVOLGICAVO	COVER	COUVERCLE	DECKEL
BABY.A.27	VA229	4	VITE AUTOF.TC CROCE 4.8x38	SCREW	VIS	SCHRAUBE
BABY.A.28	PY641	1	AVVOLGICAVO	CABLE ROLL-UP	ENROULEUR CABLE	KABELWICKLER
BABY.A.29	VA225	4	VITE AUTOF.TC CROCE 4.8x16	SCREW	VIS	SCHRAUBE
BABY.A.30	CB010	1	BASE PORTANTE	BASE D.420	CALOTTE	KAPPE
BABY.A.31	FO043	2	MAT. POLIESTIC	POLIESTIC MAT.	MAT. POLIESTIC	POL. KUNSTSTOFF
BABY.A.32	AS021	2	ASSALE	AXLE	ESSIEU	ACHSE
BABY.A.33	SG005	4	ANELLO SEEGER PER EST.DIAM.12	SEEGER RING	SEEGER	SEEGERRING
BABY.A.34	RT141	2	RUOTA FISSA D.125	WHEEL	ROUE	RAD
BABY.A.35	VA225	10	VITE AUTOF.TC CROCE 4.8x16	SCREW	VIS	SCHRAUBE
BABY.A.36	RT165	2	RUOTA PIVOTTANTE	WHEEL	ROUE	RAD
BABY.A.37	BS006	2	BUSSOLA	ROTAT.WHEELS BUSH	DOUILLE	RAEDERBUCHSE
BABY.A.38	FO044	1	MAT. POLIESTIC	POLIESTIC MAT.	MAT. POLIESTIC	POL. KUNSTSTOFF
BABY.A.39	PI103	1	CASSETTO SUPPORTO FILTRO	FILTER SUPPORT SLIDE	TIROIR DE SUPPORT	FILTERTRAGERFACH
BABY.A.40	TO026	1	TAPPO x PULSANTE AVVOLGICAVO	CAP FOR ROLL-UP SWITCH	BOUCHON ENROULEUR	KABELWICKLERSTOPSEL
BABY.A.41	GO082	1	MAT. POLIESTIC	POLIESTIC MAT.	MAT. POLIESTIC	POL. KUNSTSTOFF
BABY.A.42	GO083	1	MAT. POLIESTIC	POLIESTIC MAT.	MAT. POLIESTIC	POL. KUNSTSTOFF
BABY.A.43	CF016	2	CUFFIA BLOCCA RUOTE	WHEEL LOCK. CASING	PROTECTEUR	RADAERSPERREKASTEN

**KIT ACCESSORI - KIT ACCESSORIES - KIT ACCESSOIRES - ZUBEHÖR KIT**


OPTIONAL

N.Posit	Code	Qta.	Descrizione	Description	Description	Bezeichnung
K43.01	EE802N	1	MANICOTTO GIREVOLE D.32	ROTATING SLEEVE	MANCHON	SCHLAUCH, SCHWARZ
K43.02	FF001N	1	TUBO FLESSIBILE D.32 DA 2.16 mt	FLEX. PIPE D.32	TUYAU FLEXIBLE	SCHLAUCH, SCHWARZ
K43.03	RR011	1	CURVA C/REGOL.ARIA CROMATA D.32	CURVE	COURBE	KRUEMMER
K43.04	HH001	2	TUBO RIGIDO CROMATO D.32 (1 pz.)	NOT FLEXIBLE PIPE	TUYAU	ROHR
K43.06	ZZ005	1	SPAZZOLA DOPPIO USO D.32 C/RUOTE	BRUSH	BROSSE	BUERSTE
K43.07	ZZ011N	1	SPAZZOLA DIVANI D.32	BRUSH	BROSSE	BUERSTE
K43.08	ZZ021N	1	PENNELLO D.32	BRUSH	BROSSE	PINSEL
K43.09	LL001N	1	LANCIA PIATTA D.32	FLAT LANCE	SUCEUR PLAT	FLACHLANZE
K43.10	KT032	1	ASS.TUBO FLEX. D.32 C/SOLO EE802	FLEX. PIPE ASSY	ASS. TUYAU FLEX	SCHLAUCHZUS
K43.11	KC012	1	ASS. DOPPIA CURVA D.32 CROMATA	DOUBLE BEND ASSY	ASS. DOUBLE COURBE	DOPPELBOGENZUSAMMENBAU
K43.12	PI083	1	FERMA GHIERA	PRESSARE STOP	FERME EMBOUT	SUPPORT GITTER
K43.13	GH033	1	GHIERA	PRESSARE	EMBOUT	GITTER
K43.14	PI094	1	IMPUGNATURA CORVETTA CROMATA	CURBE	CORBE	KRUEMMER
K43.21	ZZ031	1	SPAZZOLA CALORIFERI D.32	BRUSH	BROSSE	BUERSTE

K43.22	ZZ041	1	SPAZZOLA OVALE D.32	BRUSH	BROSSE	BUERSTE
K43.23	SF816	1	KI SACCO CARTA DA 10pz	KIT PAPER BAG 10pcs	KIT SAC PAPIER	PAPIERSACK
K43.24	SF815	1	SACCO CARTA	PAPER BAG	SAC PAPIER	PAPIERSACK



**ING. O. FIORENTINI S.P.A.**

**CARATTERISTICHE TECNICHE/TECNICAL CHARACTERISTIC/CARACTERISTIQUE  
TECHNIQUES/TECHNISCHE EIGENSCHAFTEN/ CARACTERISTICAS TECNICAS**

POTENZA / POWER / PUISSANCE / POTENCIA / LEISTUNG	1200 W
VOLTAGGIO/VOLTAGE/VOLTAGE/SPANNUNG/VOLTAJE	230 V
PORTATA D'ARIA / AIR FLOW / VOLUME ASPIRÉ / FLUJO DE AIRE / LUFTFÖRDERMENGE	48 l/s
DEPRESSIONE / DEPRESSION / DÉPRESSION / DEPRESION / UNTERDRUCK	250 mbar
CLASSE DI PROTEZIONE / PROTECTION CLASS / CLASSE D'ISOLATION / TIPO DE PROTECCION / SCHUTZKLASSE	II
PESO / WEIGHT / POIDS / PESO / BRUTTOGEWICHT	7 Kg
DIAMETRO ACCESSORI / DIAMETER OF ACCESSORIES / DIAMÉTRE DES ACCÉSSOIRES / DIAMETRO DE LOS ACCESORIOS / DURCHMESSER DER ZUBEHÖRTEILE	32 mm
LUNGHEZZA CAVO / LENGTH OF CORDS / LONGUER DE CABLE / LONGITUD DE LOS CABLES / KABELLÄNGE	7.25 mt
RUMOROSITA' / DECIBEL / NIVEAU SONORE / RUMOR / LÄRM d=1m h=1,60m	50 Db

***Ing. O. FIORENTINI s.p.a.***

**Sede e Stabilimenti:** 50030 PLANCALDOLI – V.Piancaldoli, 1896 (Firenze) - Tel.055/8173610 - Fax: 055/817144

50030 PIETRAMAILA - Via del Molino (Firenze) - Tel. 055/813447 – Fax: 055/813504

40024 CASTEL SAN PIETRO TERME - (Bo) - Via Ca' Bianca 231C – Tel. 051/941743 – Fax: 6942400

**Filiale:** 00155 ROMA - Via Carlo Carrà, 13 - Tel.06/22754040/60 - Fax: 06/22754065

**Filiale:** 20132 MILANO - Via Palmanova, 211/A - Tel.02/27207783 - 2564810 - Fax: 02/2592779

**E-mail:** [sales@ingfiorentini.it](mailto:sales@ingfiorentini.it) - [www.ingfiorentini.it](http://www.ingfiorentini.it)