



Clemas & Co Ltd

Industrial Cleaning Equipment

Sales - Hire - Service

KERSTAR CV90 & CV200 GOBBLEVACS VACUUM CLEANER PARTS MANUAL



Clemas & Co. Unit 5 Ashchurch Business Centre, Alexandra Way, Tewkesbury,
Gloucestershire, GL20 8NB.

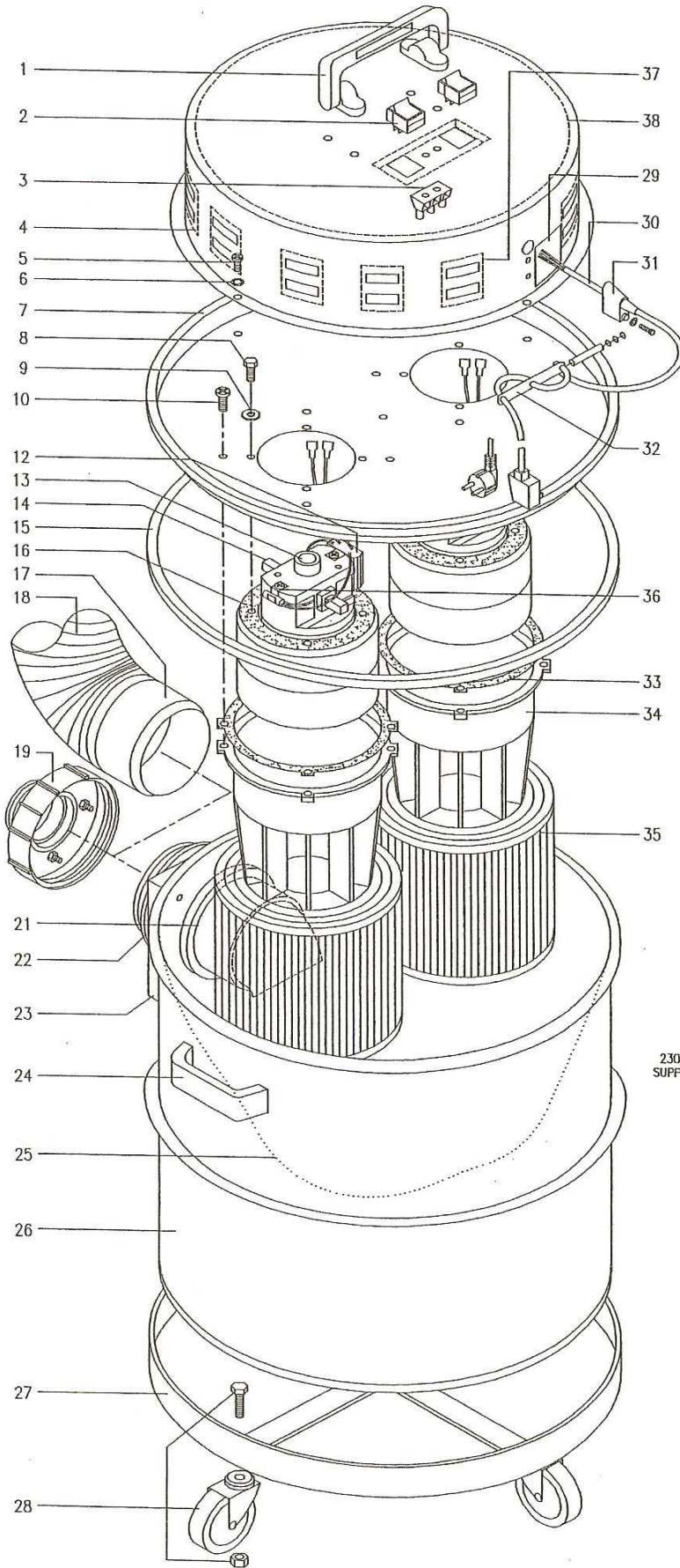
Tel: 01684 850777

Fax: 01684 850707

Email: info@clemas.co.uk

Web: www.clemas.co.uk

KV90/2 & KV200/2 GOBBLEVAC



ITEM No	QTY	DESCRIPTION
1	1	FLIP FLOP HANDLE ASSY
2	2	DRY VAC ROCKER SWITCH
3	1	TERMINAL BLOCK
4	1	TOP PRESSING (INC. HANDLE) FOR KV90/2 & KV200/2
5	4	M4 x 10 PAN HEAD SCREW BZP
6	4	M4 INTERNAL SHAKEPROOF WASHER BZP
7	1	18" MOTOR PLATE FOR KV90/2 (INC. RUBBER SEAL)
8	1	22 1/2" MOTOR PLATE FOR KV90/2 (INC. RUBBER SEAL)
9	8	M5 x 12 TAPTITE THREAD FORMING SCREW BZP
10	8	3/4" OD x 3/16" ID WASHER BZP
11	8	No. 10 x 3/4" PAN POZI PLASTITE BZP
12	1	NOT APPLICABLE TO THIS MODEL
13	2	230V FILTER/THERMAL SWITCH (M1/608 TYPE)
14	2	110V FILTER/THERMAL SWITCH (M1/619 TYPE)
15	2	230V 1,000W DIRECT AIRFLOW MOTOR
16	2	110V 1,000W DIRECT AIRFLOW MOTOR
17	1	CARBON BRUSHES FOR 230V 1,000W D.A.F. MOTOR
18	1	CARBON BRUSHES FOR 110V 1,000W D.A.F. MOTOR
19	1	FOAM RUBBER SEAL FOR MOTOR PLATE:- KV90/2 = 1.6MTR KV200/2 = 2MTR
20	2	MOTOR TO MOTOR PLATE GASKET
21	1	100mm MACHINE HOSE END
22	1	100mm SEE THRU" EXTRACTION HOSE-PER METRE
23	1	SCREW ON 100mm HOSE TO MKII SPIGOT CONVERTER
24	1	NOT APPLICABLE TO THIS MODEL
25	1	100mm INTERNAL BEND/DEFLECTOR
26	1	100mm HOSE INLET (EXCL. ITEM No.19)
27	1	CURVED ADAPTER PLATE FOR KV90/2 & KV200/2
28	2	CURVED SURFACE HANDLE WITH BOLTS & WASHERS
29	1	18" PERMAFLOW FILTER FOR KV90/2
30	1	22 1/2" PERMAFLOW FILTER FOR KV200/2
31	1	CAN ASSY FOR KV90/2 (INC. HOSE ENTRY, SCREW CAP & HANDLE)
32	1	CAN ASSY FOR KV200/2 (INC. HOSE ENTRY, SCREW CAP & HANDLE)
33	1	CHASSIS COMPLETE WITH 4 CASTORS FOR KV90/2
34	1	CHASSIS COMPLETE WITH 4 CASTORS FOR KV200/2&3
35	4	75mm (3") CASTOR WITH M10 x 30 BOLT & M10 NYLOC
36	1	"DRY VAC ONLY" LABEL
37	1	CABLE/UK 13A PLUG PACK 1.5 3 CORE x 10M
38	1	CABLE/SCHUKO EUROPEAN PLUG PACK 1.5 3 CORE x 10m
	1	CABLE CLAMP (INC. SCREW & RUBBER GROMMET)
	1	CABLE RESTRAINT
	2	"LOBSTER POT" FILTER CAGE TO MOTOR PLATE GASKET
	2	"LOBSTER POT" FILTER CAGE
	2	PUSH ON HIGH EFFICIENCY (0.5 MICRON) CARTRIDGE FILTER
	2	RETAINING CLIP FOR THERMAL SWITCH
	1	FOAM SILENCING RECTANGULAR
	1	FOAM SILENCING CIRCULAR

WIRING DIAGRAM

