

Clemas & Co Ltd

Industrial Cleaning Equipment
Sales - Hire - Service

HURRICANE PRESSURE WASHER OPERATOR MANUAL



Clemas & Co. Unit 5 Ashchurch Business Centre, Alexandra Way, Tewkesbury,
Gloucestershire, GL20 8NB.

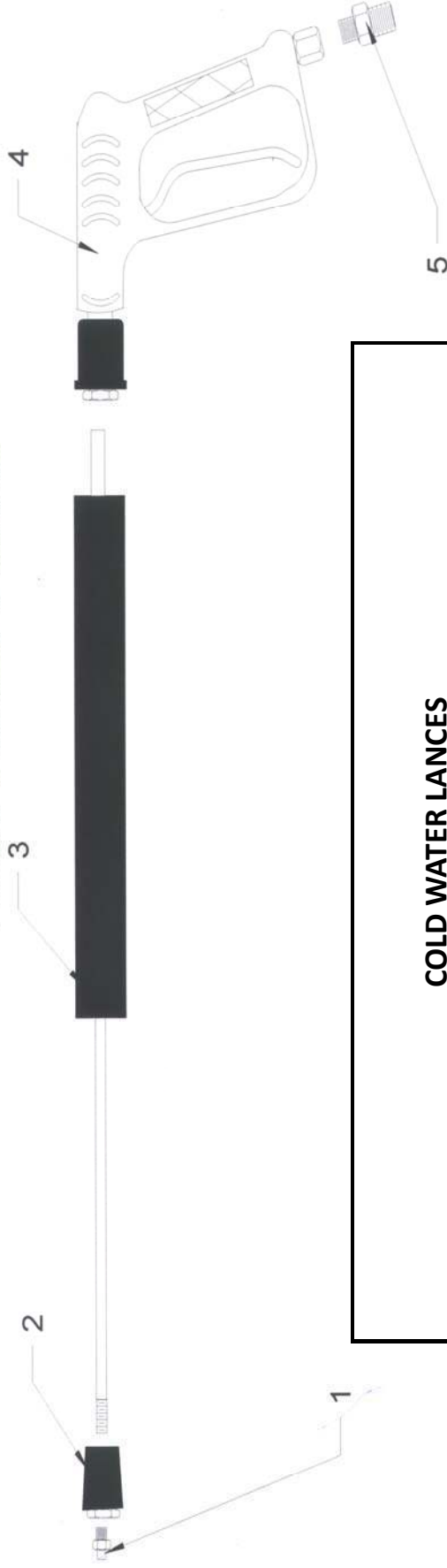
Tel: 01684 850777

Fax: 01684 850707

Email: info@clemas.co.uk

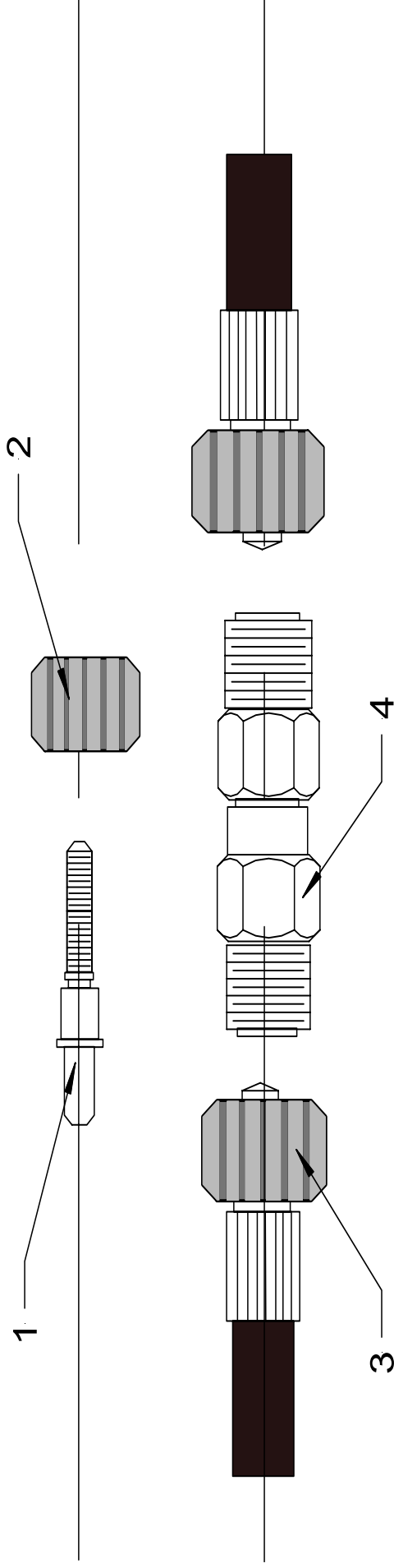
Web: www.clemas.co.uk

Cold Water Lance



| COLD WATER LANCES | | | | |
|-------------------|--------------|--------------------|-----|--|
| Pos | Part No | Description | Qty | |
| 1 | N26001/1504 | Nozzle P1 | 1 | |
| 1 | N26001/15045 | Nozzle P2 | 1 | |
| 1 | N26001/1505 | Nozzle P4 & D1ES | 1 | |
| 2 | MTM90040 | Adjustable Nozzle | 1 | |
| 3 | DEM10031B | QR Lance P2 | 1 | |
| 3 | DEM10031Y | QR Lance P1 | 1 | |
| 3 | DEM10031R | QR Lance P4 & D1ES | 1 | |
| 4 | DEM10030 | QR Trigger | 1 | |
| 5 | MTM70012 | MVG Coupling | 1 | |

High Pressure Hoses



| | | |
|---------------------------------|--------------------|-----------------------|
| 1. | Hose Insert | MV00490 (items 1 & 2) |
| 2. | Nut | |
| 3. | High Pressure Hose | HH00030MVG |
| 4. | Hose Joiner | MV00500 |
| Alternative Hose Lengths | | |
| | 15 Metre | HH00050MVG |
| | 30 Metre | HH00100MVG |

RSV

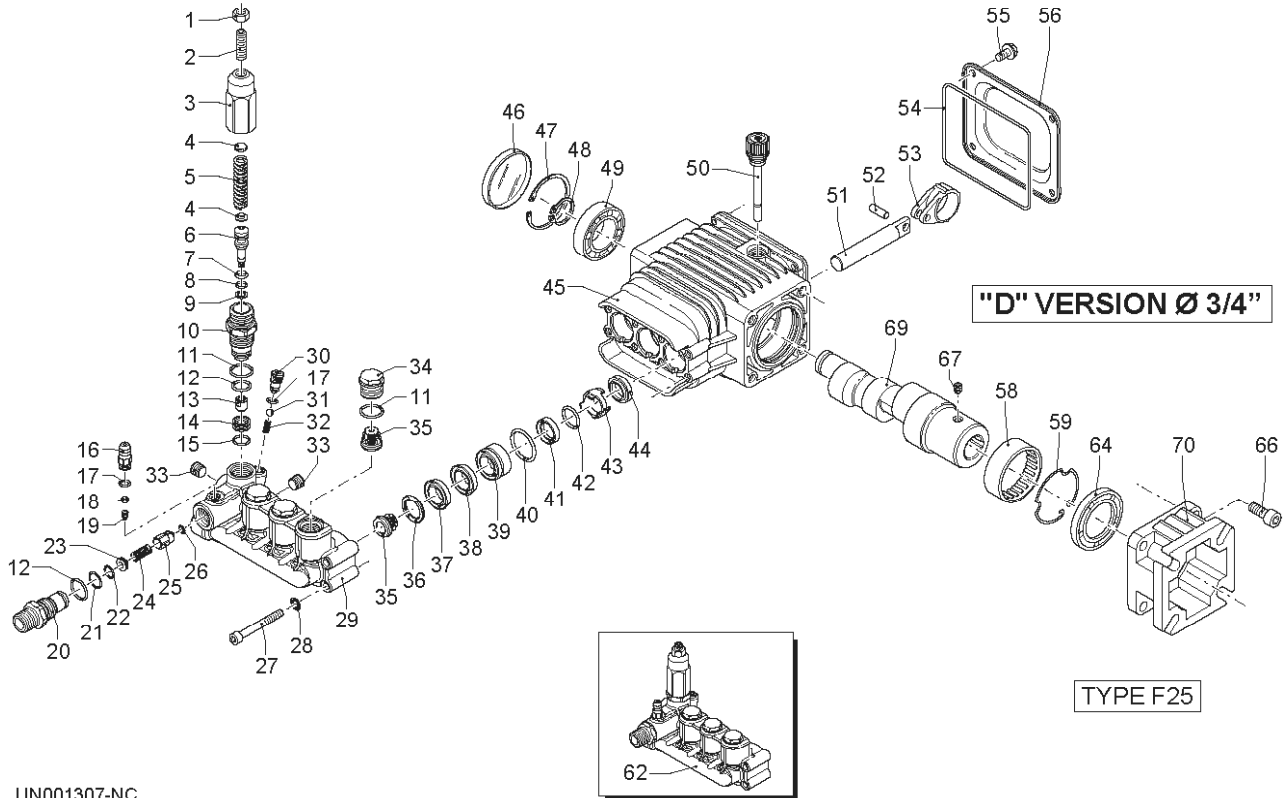
VERSION

D

3400

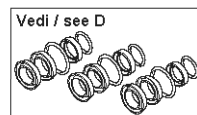
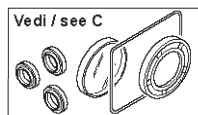
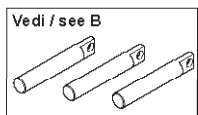
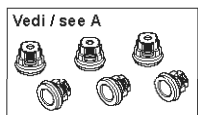
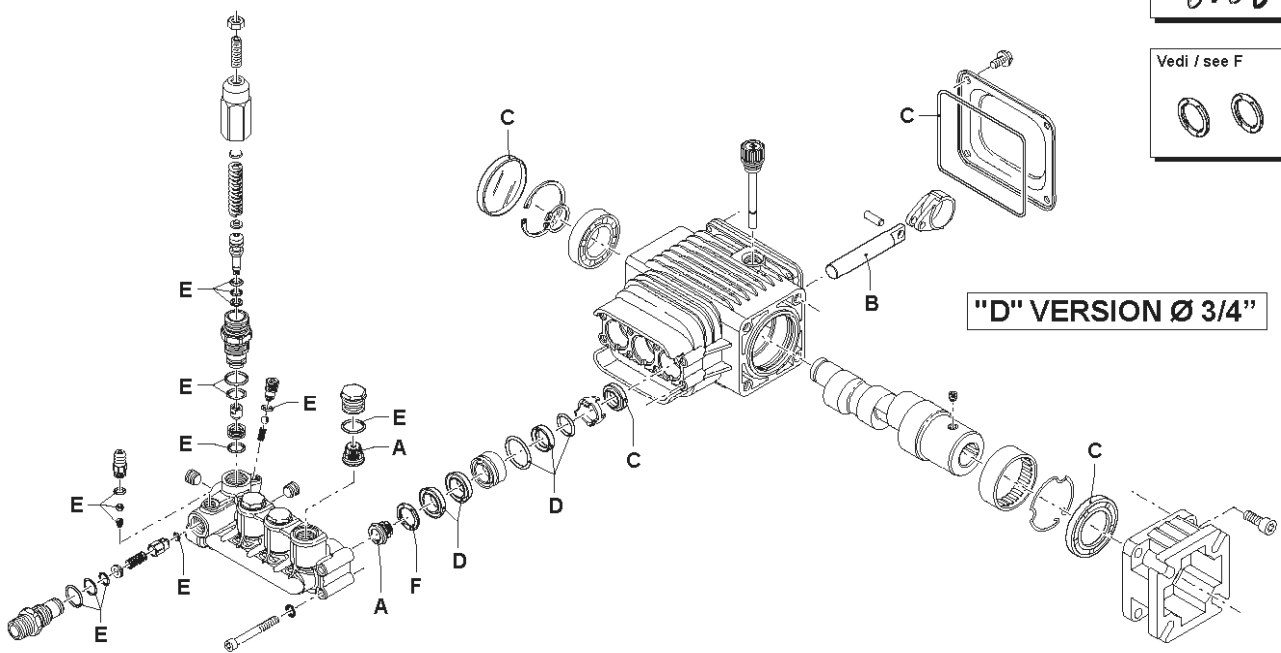
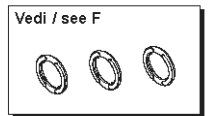
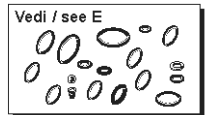
RPM

Ø 3/4"



UN001307-NC

KIT RICAMBI / PART KITS



TYPE F25

UN001308-NC

RSV

VERSION D

3400 RPM

Ø 3/4"



| Pos. | Cod. Part n° | Denominazione | Description | Q.tà Q.ty | Note Vedi / See | Pos. | Cod. Part n° | Denominazione | Description | Q.tà Q.ty | Note Vedi / See |
|------|-----------------|-----------------------|--------------------|--------------|--------------------|------|-----------------|----------------------|--------------------|--------------|--------------------|
| 1 | 1980300 | Dado M 6 | Nut | 1 | | 43 | 2760310 | Distanziale | Spacer | 3 | |
| 2 | 2760420 | Grano M 6X12 | Grub screw | 1 | | 44 | 1260460 | Anello tenuta | Seal | 3 | |
| 3 | 1980540 | Inserto manopola | Handle insert | 1 | | 45 | 2760010 | Corpo pompa | Pump body | 1 | |
| 4 | 1980220 | Piattello molla | Plate spring | 2 | | 46 | 1266740 | Cappello chiuso | Cap | 1 | |
| 5 | 2760410 | Molla | Spring | 1 | | 47 | 1260790 | Anello seeger Øi 52 | Circlip | 1 | |
| 6 | 2760400 | Pistone valvola | Valve piston | 1 | | 48 | 1780550 | Anello elastico | Snap ring | 1 | |
| 7 | 2260100 | OR Ø 6,02x2,62 | O-Ring | 1 | | 49 | 2760340 | Cuscinetto | Bearing | 1 | |
| 8 | 660190 | OR Ø 6,07x1,78 | O-Ring | 1 | | 50 | 880130 | Tappo olio | Oil cap | 1 | |
| 9 | 2760210 | Anello antiestrusione | Ring | 1 | | 51 | 2760040 | Pistone | Piston | 3 | |
| 10 | 2760050 | Guida pistone | Piston guide | 1 | | 52 | 1780050 | Spinotto | Piston pin | 3 | |
| 11 | 1200690 | OR Ø 15,6x1,78 | O-Ring | 4 | | 53 | 1780040 | Biella alluminio | Alluminium con rod | 3 | |
| 12 | 394280 | OR Ø 12,42x1,78 | O-Ring | 2 | | 54 | 2760280 | OR Ø 101,27x2,62 | O-Ring | 1 | |
| 13 | 2260070 | Otturatore by pass | By-pass jet | 1 | | 55 | 802190 | Vite TE M 6x12 | Screw | 4 | |
| 14 | 2760090 | Sede | Seat | 1 | | 56 | 2760110 | Coperchio posteriore | Rear cover | 1 | |
| 15 | 770140 | OR Ø 11,11x1,78 | O-Ring | 1 | | 58 | 2760350 | Cuscinetto | Bearing | 1 | |
| 16 | 1982520 | Portagomma | Hose tail | 1 | | 59 | 1321080 | Anello elastico | Snap ring | 1 | |
| 17 | 480480 | OR Ø 4,48x1,78 | O-Ring | 2 | | 62 | 2769200 | Prem. testa pompa | Pump head pre-ass. | 1 | |
| 18 | 1250280 | Sfera | Ball | 1 | | 64 | 480671 | Anello tenuta | Seal | 1 | |
| 19 | 1560520 | Molla | Spring | 1 | | 66 | 180030 | Vite TCEI M 8x20 | Screw | 4 | |
| 20 | 2760230 | Iniettore detergente | Detergent injector | 1 | | 67 | 820440 | Grano M 6 | Grub screw | 1 | |
| 21 | 2760270 | OR Ø 12x1 | O-Ring | 1 | | 69 | 1780590 | Albero ecc. cavo | Hollow shaft | 1 | ○ |
| 22 | 1470210 | OR Ø 9x1 | O-Ring | 1 | | 70 | 1780600 | Albero ecc. cavo | Hollow shaft | 1 | ● |
| 23 | 2760120 | Inserto iniettore | Injector insert | 1 | | | | | | | Type F 25 |
| 24 | 2760200 | Molla | Spring | 1 | | | | | | | |
| 25 | 2760130 | Otturatore | Jet | 1 | | | | | | | |
| 26 | 1460430 | OR Ø 4x2,5 | O-Ring | 1 | | | | | | | |
| 27 | 801080 | Vite TCEI M 6x50 | Screw | 8 | | | | | | | |
| 28 | 1381550 | Rondella | Washer | 8 | | | | | | | |
| 29 | 2760020 | Testa | Head | 1 | | | | | | | |
| 30 | 2760140 | Tappo ez-start | Ez-start plug | 1 | | | | | | | |
| 31 | 1982240 | Sfera | Ball | 1 | | | | | | | |
| 32 | 1981800 | Molla | Spring | 1 | | | | | | | |
| 33 | 2760260 | Tappo 1/4" G conico | Plug | 2 | | | | | | | |
| 34 | 2760180 | Tappo valvola | Plug | 3 | | | | | | | |
| 35 | 2769050 | Valvola completa | Complete valve | 6 | | | | | | | |
| 36 | 2760220 | Anello appoggio | Support ring | 3 | | | | | | | |
| 37 | 1342761 | Guarnizione | Gasket | 3 | | | | | | | |
| 38 | 1981580 | Anello antiestrusione | Ring | 1 | | | | | | | |
| 39 | 1981570 | Guida pistone | Piston guide | 3 | | | | | | | |
| 40 | 770260 | OR Ø 23,52x1,78 | O-Ring | 3 | | | | | | | |
| 41 | 1260440 | Guarnizione | Gasket | 3 | | | | | | | |
| 42 | 640070 | OR Ø 13,95x2,62 | O-Ring | 3 | | | | | | | |

KIT RICAMBI PART KITS

LEGENDA :

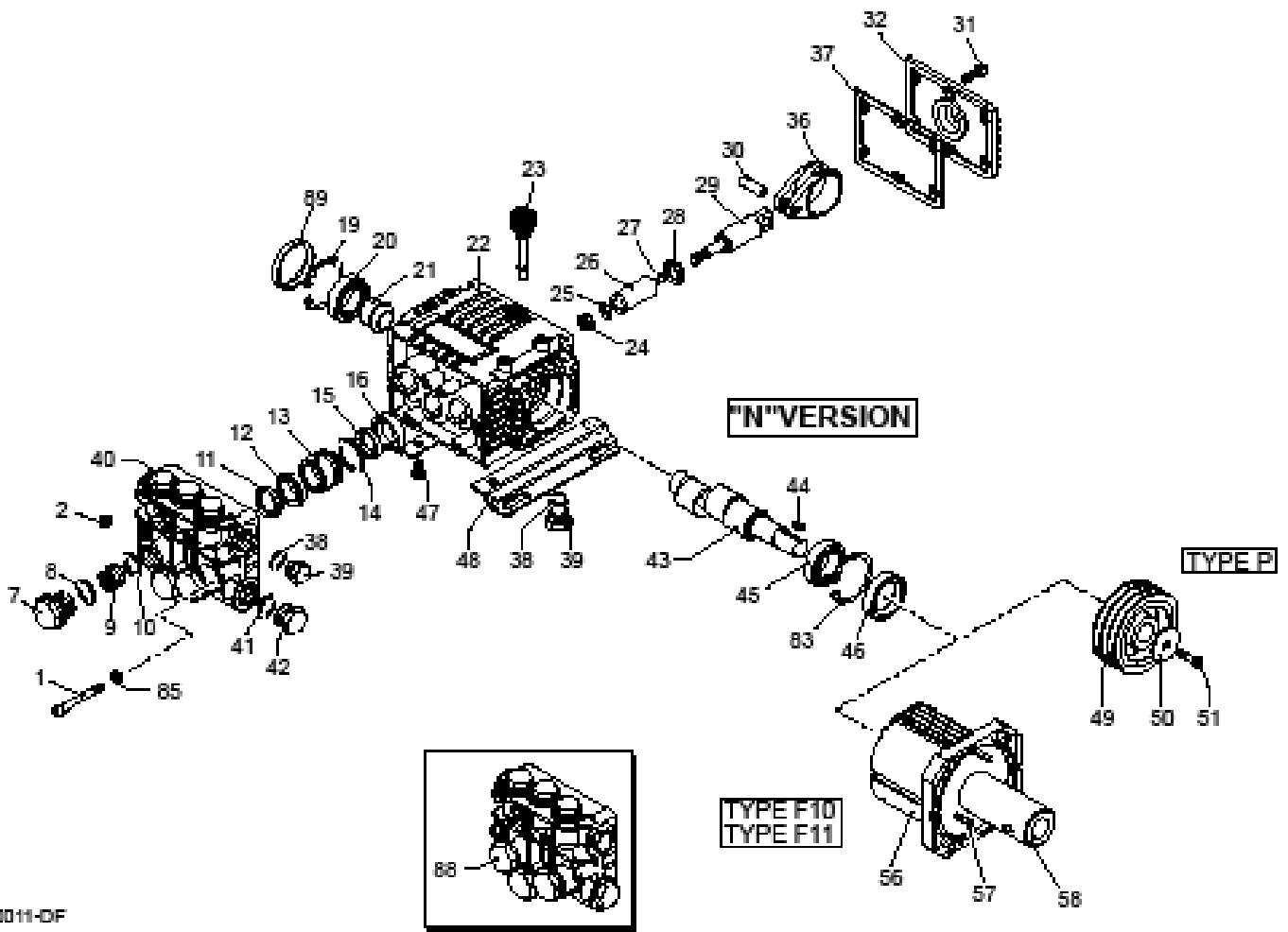
| A=KIT 2186 valvole valves | | B=KIT 2187 ø 15 pistoni pistons | | C=KIT 2188 tenute olio oil seals | | D=KIT 2189 ø 15 tenute acqua water seals | |
|---------------------------------|------|---------------------------------------|------|--|------|--|------|
| pos. | Q.ty | pos. | Q.ty | pos. | Q.ty | pos. | Q.ty |
| 35 | 6 | 51 | 3 | 44 | 3 | 37 | 3 |
| | | | | 46 | 1 | 38 | 3 |
| | | | | 54 | 1 | 40 | 3 |
| | | | | 64 | 1 | 41 | 3 |
| | | | | | | 42 | 3 |

Ø 15
 ○ Per / For RSV 2.5 G25
 ● Per / For RSV 3 G25

| E=KIT 2190 OR O-Rings | | | | F=KIT 2191 ø 15 anelli appoggio support rings | | | |
|-----------------------------|------|------|------|---|------|------|------|
| pos. | Q.ty | pos. | Q.ty | pos. | Q.ty | pos. | Q.ty |
| 7 | 1 | 17 | 2 | 36 | 3 | | |
| 8 | 1 | 18 | 1 | | | | |
| 9 | 1 | 19 | 1 | | | | |
| 11 | 4 | 21 | 1 | | | | |
| 12 | 2 | 22 | 1 | | | | |
| 15 | 1 | 26 | 1 | | | | |

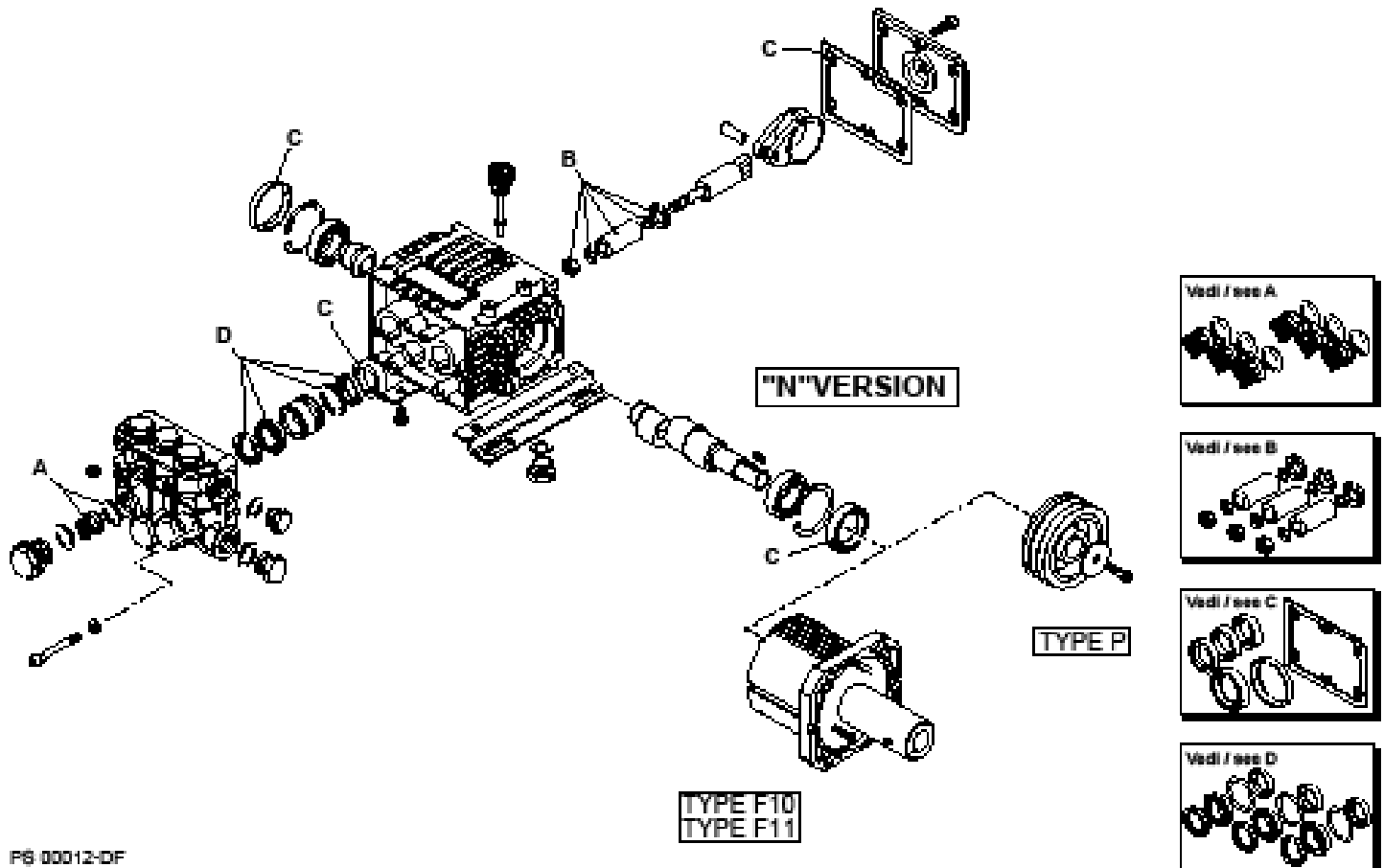
XT

IN 1450_{RPM}



PS 00011-DF

KIT RICAMBI / PART KITS



PS 00012-DF

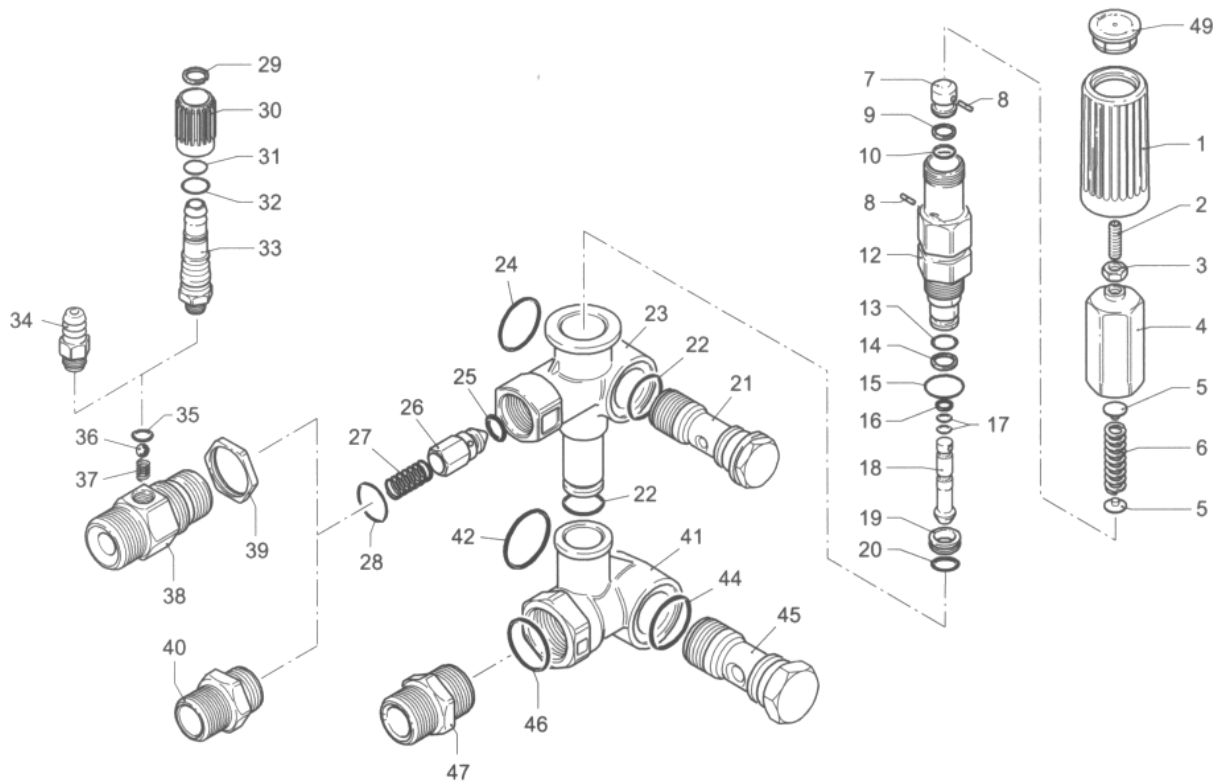
Hurricane Petrol XT 11.14 Pump / XT 13.12 Pump / XT 13.15 Pump

| XT 1450 | | | | | | | |
|----------------|-----------|----------------|-----|-----|-----------|-------------------|-----|
| Pos | Code No | Description | Qty | Pos | Code No | Description | Qty |
| 1 | AR1322730 | Screw | 6 | 40 | AR1320020 | Pump Head | 1 |
| 2 | AR620301 | Plug | 1 | 41 | AR180101 | O Ring | 1 |
| 7 | AR1260162 | Plug | 6 | 42 | AR820361 | Plug | 1 |
| 8 | AR960160 | O Ring | 6 | 43 | AR1260200 | Crankshaft | 1 |
| 9 | AR1269050 | Complete Valve | 6 | 43 | AR1320260 | Crankshaft | 1 |
| 10 | AR880830 | O Ring | 6 | 44 | AR1380520 | Key | 1 |
| 11 | AR1320340 | Support Ring | 3 | 45 | AR1320370 | Bearing | 1 |
| 12 | AR1260220 | Gasket | 3 | 46 | AR1260750 | Seal | 1 |
| 13 | AR1320351 | Piston Guide | 3 | 47 | AR1260470 | Screw | 4 |
| 14 | AR1260420 | O Ring | 3 | 48 | AR1263890 | Base | 2 |
| 15 | AR1260450 | Gasket | 3 | 83 | AR1260790 | Circlip | 1 |
| 16 | AR1260460 | Seal | 3 | 85 | AR1381550 | Washer | 6 |
| 19 | AR1260790 | Circlip | 1 | 88 | AR1269222 | Pump Head pre-ass | 1 |
| 20 | AR1320370 | Bearing | 1 | 89 | AR1266740 | Cap | 1 |
| 21 | AR1320330 | Bushing | 1 | | | | |
| 22 | AR1320010 | Pump Housing | 1 | | | | |
| 23 | AR880130 | Oil Plug | 1 | | | | |
| 24 | AR1260110 | Nut | 3 | | | | |
| 25 | AR1260100 | Washer | 3 | | | | |
| 26 | AR1260210 | Piston | 3 | | | | |
| 27 | AR480480 | O Ring | 3 | | | | |
| 28 | AR1260091 | Spacer | 3 | | | | |
| 29 | AR1260070 | Guiding Piston | 3 | | | | |
| 30 | AR1260080 | Piston Pin | 3 | | | | |
| 31 | AR1260760 | Screw | 6 | | | | |
| 32 | AR1269101 | Complete Cover | 1 | | | | |
| 32 | AR1320910 | Complete Cover | 1 | | | | |
| 36 | AR1260060 | Con Road | 3 | | | | |
| 36 | AR1320140 | Con Road | 3 | | | | |
| 37 | AR1260040 | Gasket | 1 | | | | |
| 38 | AR740290 | O Ring | 2 | | | | |
| 39 | AR1980740 | Plug | 2 | | | | |

| ARKIT1864 | | ARKIT2629 | | ARKIT1872 | |
|------------------|-----|------------------|-----|------------------|-----|
| Valve Kit | | Piston Kit | | Oil Seal Kit | |
| Pos | Qty | Pos | Qty | Pos | Qty |
| 9 | 6 | 24 | 3 | 16 | 3 |
| 10 | 6 | 25 | 3 | 37 | 1 |
| | | 26 | 3 | 46 | 1 |
| | | 27 | 3 | 89 | 1 |
| | | 28 | 3 | | |
| | | | | | |

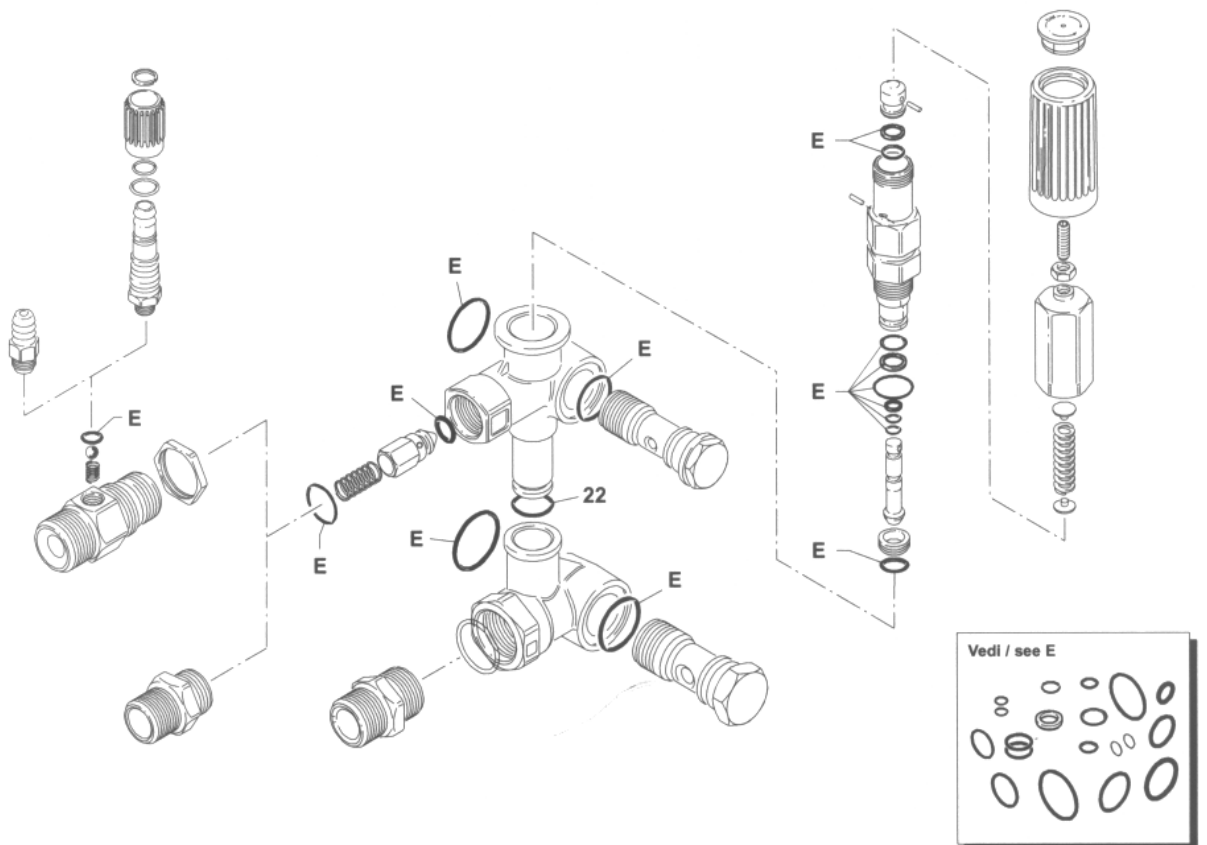
| ARKIT1874 | |
|------------------|---|
| Water Seals | |
| 11 | 3 |
| 12 | 3 |
| 14 | 3 |
| 15 | 3 |
| | |
| | |

MINIMATIC 4/B



UN000186-HF

KIT RICAMBI / PART KITS



UN000187-HF

MINIMATIC 4/B



| Pos. | Cod. Part n° | Denominazione | Description | Q.tà Q.ty | Note Vedi / See | Pos. | Cod. Part n° | Denominazione | Description | Q.tà Q.ty | Note Vedi / See |
|------|-----------------|-------------------|---------------------|--------------|--------------------|------|-----------------|-----------------|------------------|--------------|--------------------|
| 1 | 1981780 | Manopola | Handle | 1 | | 40 | 1540180 | Niples 3/8" G | Adaptor 3/8" G | 1 | ● |
| 2 | 1540560 | Grano M6x20 | Grub | 1 | | | 1540500 | Niples 3/8" NPT | Adaptor 3/8" NPT | 1 | ● |
| 3 | 1980300 | Dado M6 | Nut | 1 | | 41 | 1540280 | Corpo by-pass | By-pass housing | 1 | 3/8" G |
| 4 | 1980390 | Inserto manopola | Knob insert | 1 | | | 1540480 | Corpo by-pass | By-pass housing | 1 | 3/8" NPT |
| 5 | 1980220 | Piattello molla | Spring plate | 2 | | 42 | 1540630 | OR Ø 23,47x2,62 | O-Ring | 1 | |
| 6 | 1271070 | Molla | Spring | 1 | | 44 | 880270 | OR Ø 17,17x1,78 | O-Ring | 1 | |
| 7 | 1080041 | Pistone superiore | Upper piston | 1 | | 45 | 1540260 | Vite 1/2" G | Thread screw | 1 | |
| 8 | 1080070 | Spina | Pin | 2 | | 46 | 480440 | OR Ø 17,13x2,62 | O-Ring | 1 | Optional |
| 9 | 1080401 | Anello antiest. | Back-up ring | 1 | | 47 | 1540050 | Raccordo | Fitting | 1 | Optional |
| 10 | 1080250 | OR Ø 7,66x1,78 | O-Ring | 1 | | 49 | 1981770 | Tappo manopola | Knob plug | 1 | |
| 12 | 1980210 | Guida pistone | Piston Guide | 1 | | | | | | | |
| 13 | 740290 | OR Ø 14x1,78 | O-Ring | 1 | | | | | | | |
| 14 | 800560 | OR Ø 8,73x1,78 | O-Ring | 1 | | | | | | | |
| 15 | 880830 | OR Ø 15,54x2,62 | O-Ring | 1 | | | | | | | |
| 16 | 1271170 | Anello antiest. | Back-up ring | 1 | | | | | | | |
| 17 | 1080190 | OR Ø 2,90x1,78 | O-Ring | 2 | | | | | | | |
| 18 | 1271160 | Pistone inferiore | Lower piston | 1 | | | | | | | |
| 19 | 1980200 | Sede valvola | Valve seat | 1 | | | | | | | |
| 20 | 1470210 | OR Ø 9x1 | O-Ring | 1 | | | | | | | |
| 21 | 1540270 | Vite 3/8" G | Thread screw | 1 | Ottone/Brass | | | | | | |
| | 1540430 | Vite 3/8" G Inox | Thread screw | 1 | Inox/Steel | | | | | | |
| 22 | 390080 | OR Ø 11,91x2,62 | O-Ring | 2 | | | | | | | |
| 23 | 1540510 | Corpo valvola | Valve housing | 1 | | | | | | | |
| 24 | 1140450 | OR Ø 20,24x2,62 | O-Ring | 1 | | | | | | | |
| 25 | 1460430 | OR Ø 4x2,5 | O-Ring | 1 | | | | | | | |
| 26 | 1540170 | Otturatore | Jet | 1 | | | | | | | |
| 27 | 1080091 | Molla | Spring | 1 | | | | | | | |
| 28 | 394280 | OR Ø 12,42x1,78 | O-Ring | 1 | | | | | | | |
| 29 | 1560660 | Anello | Ring | 1 | ▲ | | | | | | |
| 30 | 1560680 | Manopola reg.det. | Detergent reg. knob | 1 | ▲ | | | | | | |
| 31 | 480560 | OR Ø 6,75x1,78 | O-Ring | 1 | ▲ | | | | | | |
| 32 | 800560 | OR Ø 8,73x1,78 | O-Ring | 1 | ▲ | | | | | | |
| 33 | 1560650 | Portagomma | Hose tail | 1 | ▲ | | | | | | |
| 34 | 1560490 | Portagomma | Hose tail | 1 | ■ | | | | | | |
| 35 | 480480 | OR Ø 4,48x1,78 | O-Ring | 1 | ■▲ | | | | | | |
| 36 | 1250280 | Sfera | Ball | 1 | ■▲ | | | | | | |
| 37 | 1560520 | Molla | Spring | 1 | ■▲ | | | | | | |
| 38 | 1540570 | Raccordo 3/8" G | Fitting 3/8" G | 1 | Ø 2 ■▲ | | | | | | |
| | 1540580 | Raccordo 3/8" G | Fitting 3/8" G | 1 | Ø 2,3 ■▲ | | | | | | |
| | 1540610 | Raccordo 3/8" NPT | Fitting 3/8" NPT | 1 | Ø 2 ■▲ | | | | | | |
| | 1540620 | Raccordo 3/8" NPT | Fitting 3/8" NPT | 1 | Ø 2,3 ■▲ | | | | | | |
| 39 | 1540300 | Controdado | Nut | 1 | ■▲ | | | | | | |

KIT RICAMBI PART KITS

LEGENDA :

E=KIT 2812
OR
O-Rings

| pos. | Q.ty | pos. | Q.ty | pos. | Q.ty | pos. | Q.ty |
|------|------|------|------|------|------|------|------|
| 9 | 1 | 17 | 2 | 35 | 1 | | |
| 10 | 1 | 20 | 1 | 42 | 1 | | |
| 13 | 1 | 22 | 2 | 44 | 1 | | |
| 14 | 1 | 24 | 1 | | | | |
| 15 | 1 | 25 | 1 | | | | |
| 16 | 1 | 28 | 1 | | | | |

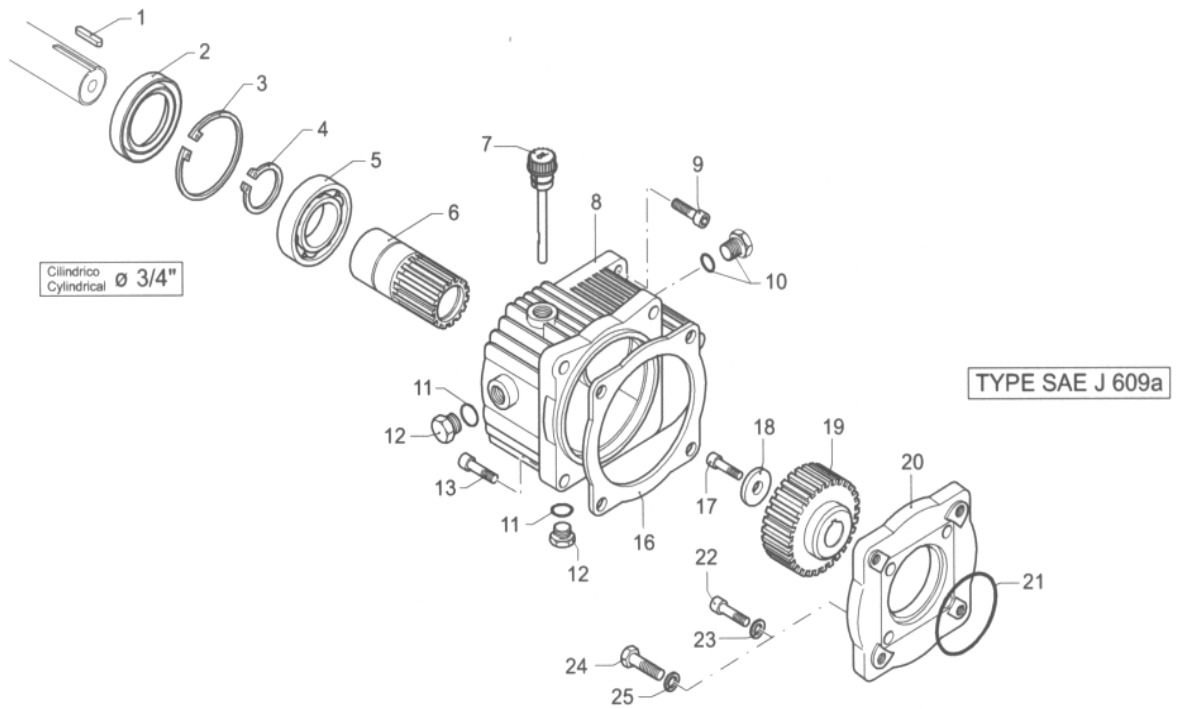
● Per / For
MINIMATIC 4/B

■ Per / For
MINIMATIC 4/B+ID

▲ Per / For
MINIMATIC 4/B+HDR

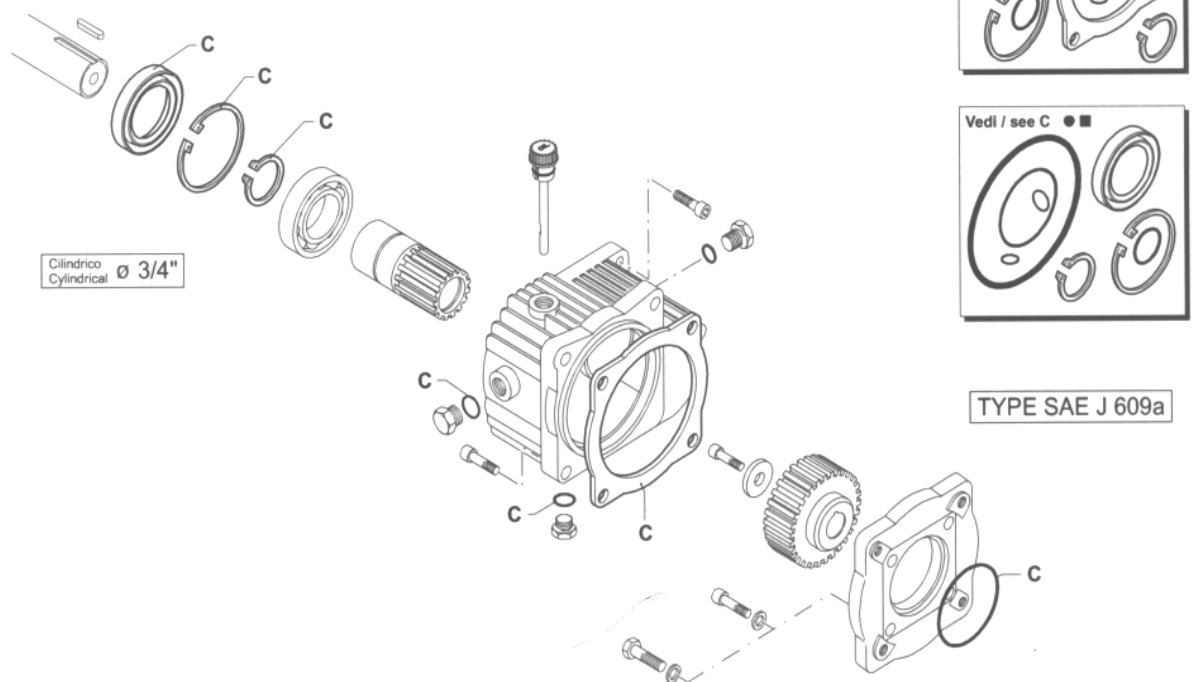
| pos. | Q.ty | pos. | Q.ty | pos. | Q.ty | pos. | Q.ty |
|------|------|------|------|------|------|------|------|
| | | | | | | | |
| | | | | | | | |
| | | | | | | | |
| | | | | | | | |

CR RIDUTTORE - GEAR BOX



UN000228-HF

KIT RICAMBI / PART KITS



UN000229-HF

Gearbox for Hurricane P2 ARCRXT

CR RIDUTTORE - GEAR BOX



| Pos. | Cod. Part n° | Denominazione | Description | Q.tà Q.ty | Note Vedi / See | Pos. | Cod. Part n° | Denominazione | Description | Q.tà Q.ty | Note Vedi / See |
|------|-----------------|---------------------|-------------------|--------------|--------------------|------|-----------------|---------------|-------------|--------------|--------------------|
| 1 | 881090 | Linguetta | Key | 1 | | | | | | | |
| 2 | 961800 | Anello tenuta | Seal | 1 | | | | | | | |
| 3 | 961790 | Seeger Øi 68 | Circlip | 1 | | | | | | | |
| 4 | 320240 | Seeger Øe 40 | Circlip | 1 | | | | | | | |
| 5 | 961781 | Cuscinetto | Bearing | 1 | | | | | | | |
| 6 | 1322920 | Pignone Ø 3/4" | Pinion | 1 | Z=23 ● ○ | | | | | | |
| | 1322930 | Pignone Ø 3/4" | Pinion | 1 | Z=21 ■ | | | | | | |
| 7 | 1140370 | Tappo olio + OR | Oil plug + O-ring | 1 | | | | | | | |
| 8 | 1320910 | Scatola riduttore | Gear box | 1 | | | | | | | |
| 9 | 651000 | Vite TCEI 5/16" | Screw | 4 | | | | | | | |
| 10 | 1980290 | Tappo 3/8" | Plug | 1 | | | | | | | |
| 11 | 740290 | OR Ø 14x1,78 | O-Ring | 2 | | | | | | | |
| 12 | 1980740 | Tappo 3/8"G | Plug | 2 | Ottone/Brass | | | | | | |
| 13 | 160671 | Vite TCEI M 10x25 | Screw | 4 | | | | | | | |
| 16 | 1320990 | Guarnizione scatola | Gasket | 1 | ○ | | | | | | |
| | 1520590 | OR Ø 107,67x1,78 | O-Ring | 1 | ● ■ | | | | | | |
| 17 | 880280 | Vite TCEI M 6x18 | Screw | 1 | | | | | | | |
| 18 | 780230 | Rondella Tenuta | Washer | 1 | | | | | | | |
| 19 | 1322940 | Ruota dentata | Gear | 1 | Z=45 ○ | | | | | | |
| | 1321230 | Ruota dentata | Gear | 1 | Z=45 ● | | | | | | |
| | 1320960 | Ruota dentata | Gear | 1 | Z=47 ■ | | | | | | |
| 20 | 1320920 | Flangia riduttore | Flange | 1 | ○ | | | | | | |
| | 1320930 | Flangia riduttore | Flange | 1 | ● ■ | | | | | | |
| 21 | 650920 | OR Ø 53,65x2,62 | O-Ring | 1 | ○ | | | | | | |
| | 640030 | OR Ø 60x2,62 | O-Ring | 1 | ● ■ | | | | | | |
| 22 | 780330 | Vite TCEI M 6x20 | Screw | 4 | ○ | | | | | | |
| | 1341020 | Rondella 6x10x1 | Washer | 4 | ○ | | | | | | |
| 24 | 180430 | Vite TE M 8x20 | Screw | 4 | ● ■ XM-XMA | | | | | | |
| | 390450 | Vite TE M 8x30 | Screw | 4 | ● ■ XRC-XRCA | | | | | | |
| 25 | 1260100 | Rondella 8x13x0,50 | Washer | 4 | ● ■ | | | | | | |

KIT RICAMBI PART KITS

| C=KIT 2793 ○ tenute olio oil seals | | C=KIT 2525 ● ■ tenute olio oil seals | | | | | |
|--|------|--|------|------|------|------|------|
| pos. | Q.ty | pos. | Q.ty | pos. | Q.ty | pos. | Q.ty |
| 2 | 1 | 2 | 1 | | | | |
| 3 | 1 | 3 | 1 | | | | |
| 4 | 1 | 4 | 1 | | | | |
| 11 | 2 | 11 | 2 | | | | |
| 16 | 1 | 16 | 1 | | | | |
| 21 | 1 | 21 | 1 | | | | |

| pos. | Q.ty | pos. | Q.ty | pos. | Q.ty | pos. | Q.ty |
|------|------|------|------|------|------|------|------|
| | | | | | | | |
| | | | | | | | |

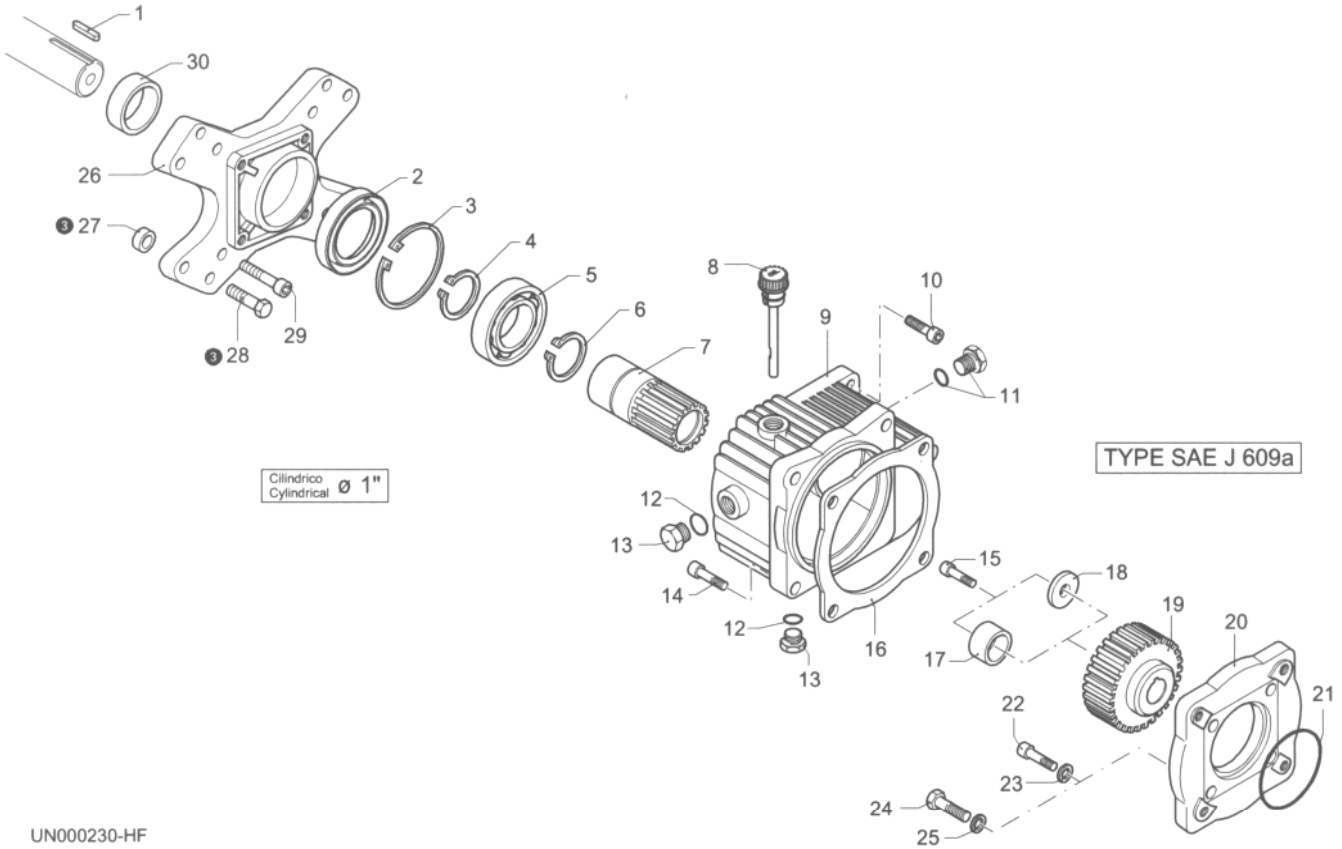
LEGENDA :

○ Per / For
COD. 1694
1:2
XT/XTA series

● Per / For
COD. 1692
1:2
XM/XMA series
XRC/XRCAseries

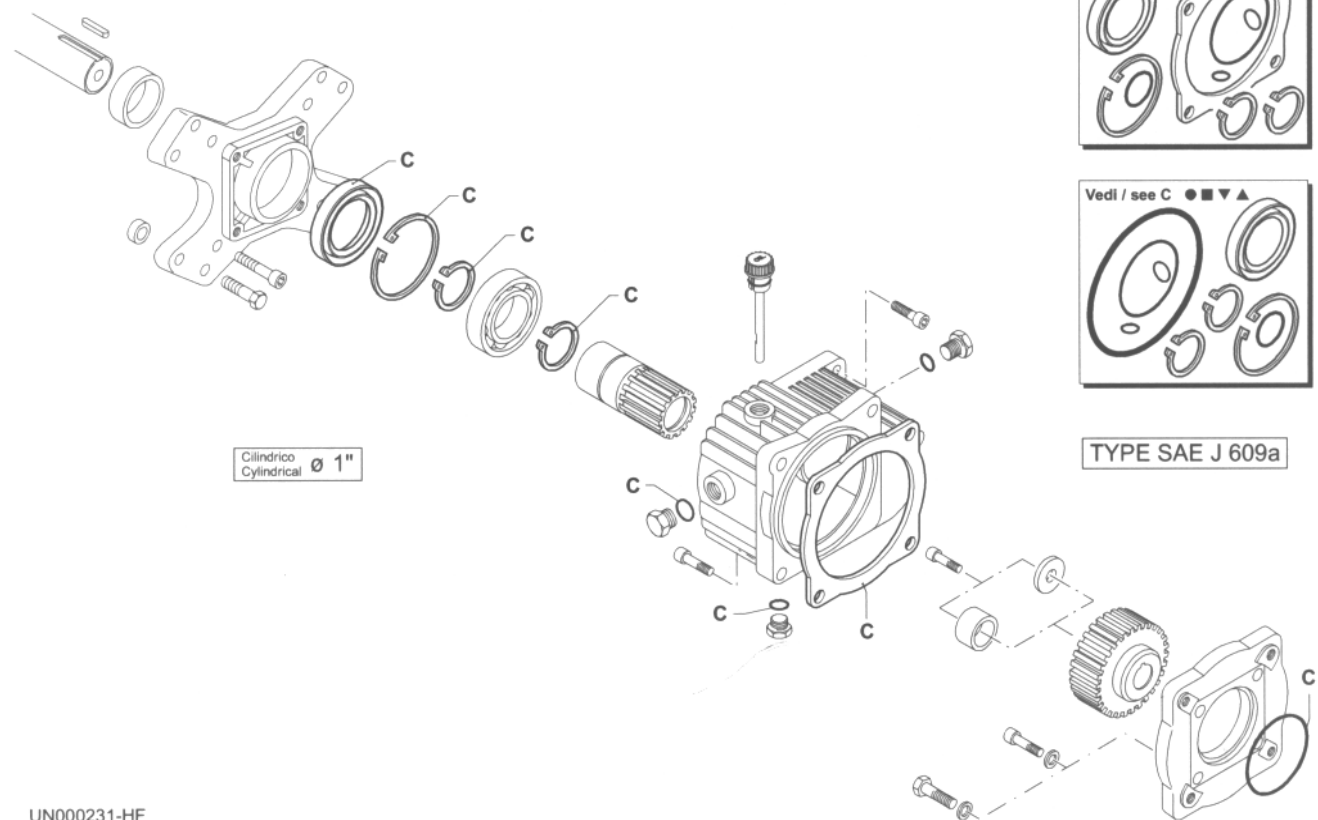
■ Per / For
COD. 1691
1:2
XM series
XRC series

CR RIDUTTORE - GEAR BOX



UN000230-HF

KIT RICAMBI / PART KITS



UN000231-HF

CR RIDUTTORE - GEAR BOX



| Pos. | Cod. Part n° | Denominazione | Description | Q.tà Q.ty | Note Vedi / See | Pos. | Cod. Part n° | Denominazione | Description | Q.tà Q.ty | Note Vedi / See |
|------|--------------|---------------------|-------------------|-----------|-----------------|------|--------------|---------------|-------------|-----------|-----------------|
| 1 | 1382510 | Chiavetta (8 HP) | Key | 1 | ○ ● ■ ▼ ▲ | | | | | | |
| | 881090 | Linguetta (9-18 HP) | Key | 1 | ● ■ ▼ ▲ | | | | | | |
| 2 | 961800 | Anello tenuta | Seal | 1 | | | | | | | |
| 3 | 961790 | Seeger Ø1 68 | Circlip | 1 | | | | | | | |
| 4 | 320240 | Seeger Øe 40 | Circlip | 1 | | | | | | | |
| 5 | 961781 | Cuscinetto | Bearing | 1 | | | | | | | |
| 6 | 320240 | Seeger Øe 40 | Circlip | 1 | ■ ▲ | | | | | | |
| 7 | 1382420 | Pignone Ø 1" Z=23 | Pinion | 1 | ○ ● ▼ | | | | | | |
| | 1382430 | Pignone Ø 1" Z=21 | Pinion | 1 | ■ ▲ | | | | | | |
| 8 | 1140370 | Tappo olio + OR | Oil plug + O-ring | 1 | | | | | | | |
| 9 | 1320910 | Scatola riduttore | Gear box | 1 | | | | | | | |
| 10 | 881940 | Vite TCEI M 8x25 | Screw | 4 | | | | | | | |
| 11 | 1980290 | Tappo 3/8" | Plug | 1 | | | | | | | |
| 12 | 740290 | OR Ø 14x1,78 | O-Ring | 2 | | | | | | | |
| 13 | 1980740 | Tappo 3/8"G | Plug | 2 | Ottone/Brass | | | | | | |
| 14 | 160671 | Vite TCEI M 10x25 | Screw | 4 | | | | | | | |
| 15 | 880280 | Vite TCEI M 6x18 | Screw | 1 | | | | | | | |
| 16 | 1320990 | Guarnizione scatola | Gasket | 1 | ○ | | | | | | |
| | 1520590 | OR Ø 107,67x1,78 | O-Ring | 1 | ● ■ ▼ ▲ | | | | | | |
| 17 | 1940500 | Distanziale | Spacer | 1 | ▼ ▲ | | | | | | |
| 18 | 780230 | Rondella Tenuta | Washer | 1 | ○ ● ■ | | | | | | |
| 19 | 1322940 | Ruota dentata Z=45 | Gear | 1 | ○ | | | | | | |
| | 1321230 | Ruota dentata Z=45 | Gear | 1 | ● ▼ | | | | | | |
| | 1320960 | Ruota dentata Z=47 | Gear | 1 | ■ ▲ | | | | | | |
| 20 | 1320920 | Flangia riduttore | Flange | 1 | ○ | | | | | | |
| | 1320930 | Flangia riduttore | Flange | 1 | ● ■ ▼ ▲ | | | | | | |
| 21 | 650920 | OR Ø 53,65x2,62 | O-Ring | 1 | ○ | | | | | | |
| | 640030 | OR Ø 60x2,62 | O-Ring | 1 | ● ■ ▼ ▲ | | | | | | |
| 22 | 780330 | Vite TCEI M 6x20 | Screw | 4 | ○ | | | | | | |
| 23 | 1341020 | Rondella 6x10x1 | Washer | 4 | ○ | | | | | | |
| 24 | 180430 | Vite TE M 8x20 | Screw | 4 | ● ■ (XM) | | | | | | |
| | 390450 | Vite TE M 8x30 | Screw | 4 | ● ■ ▼ ▲ | | | | | | |
| 25 | 1260100 | Rondella 8x13x0,50 | Washer | 4 | ● ■ ▼ ▲ | | | | | | |
| 26 | 1320940 | Flangia motore | Motor flange | 1 | | | | | | | |
| 27 | 961770 | Distanziale | Spacer | 4 | ③ | | | | | | |
| 28 | 961900 | Vite TE 3/8" | Screw | 4 | ③ | | | | | | |
| 29 | 651000 | Vite TCEI 5/16" | Screw | 4 | | | | | | | |
| 30 | 1382540 | Distanziale | Spacer | 1 | ● ■ ▼ ▲ | | | | | | |

③ Per motori italiani / Italian engines only

KIT RICAMBI PART KITS

| C=KIT 2793 ○ tenute olio oil seals | | | | C=KIT 2525 ● ■ ▼ ▲ tenute olio oil seals | | | |
|--|------|------|------|--|------|------|------|
| pos. | Q.ty | pos. | Q.ty | pos. | Q.ty | pos. | Q.ty |
| | | 21 | 1 | 2 | 1 | 21 | 1 |
| 2 | 1 | | | 3 | 1 | | |
| 3 | 1 | | | 4 | 1 | | |
| 4 | 1 | | | 6 | 1 | | |
| 6 | 1 | | | 12 | 2 | | |
| 12 | 2 | | | 16 | 1 | | |
| 16 | 1 | | | | | | |

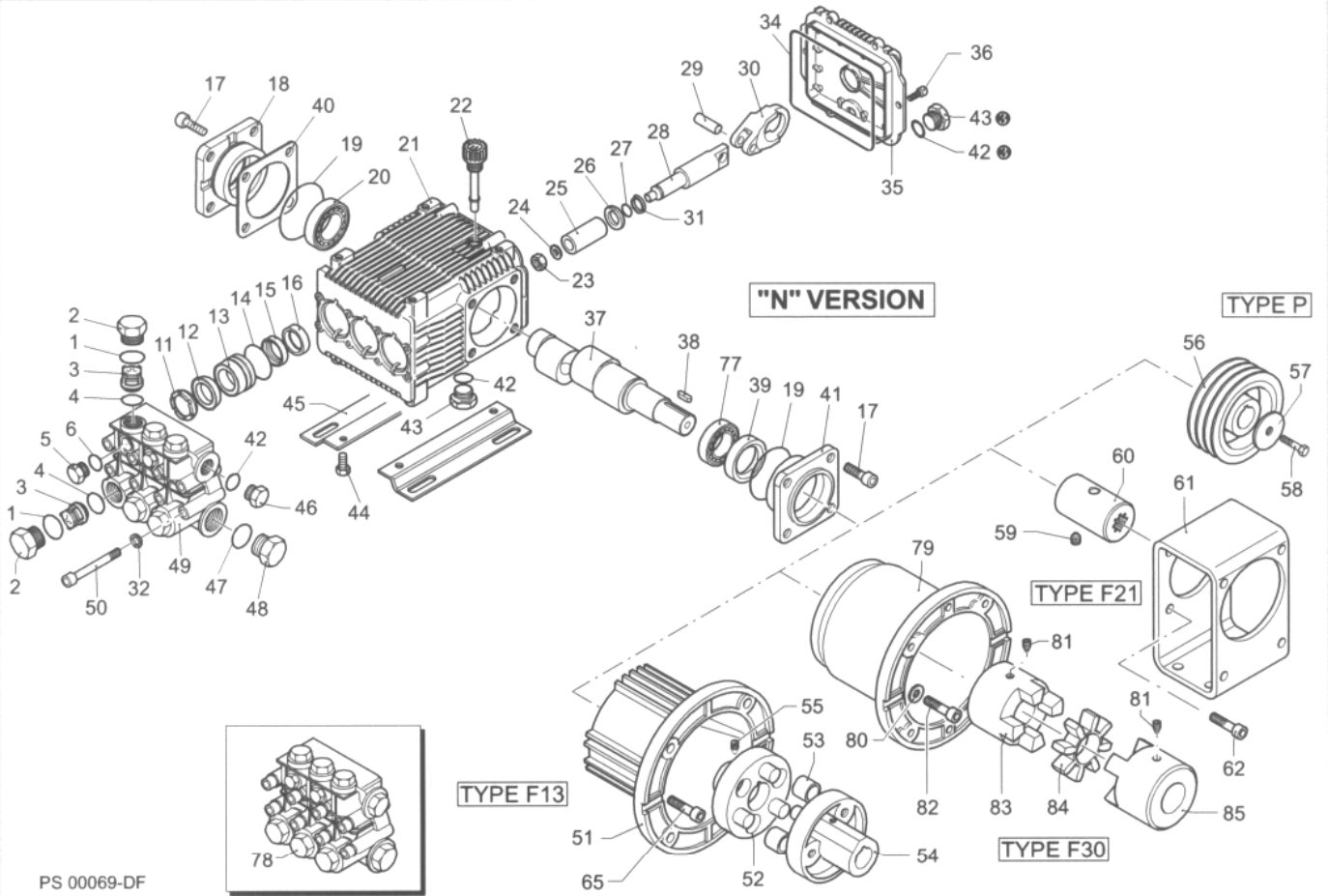
| pos. | Q.ty | pos. | Q.ty | pos. | Q.ty | pos. | Q.ty |
|------|------|------|------|------|------|------|------|
| | | | | | | | |

LEGENDA :

- Per / For cod. 1690
1:2
XM/XMA series
XRC/XRCAseries
- Per / For cod. 1689
1:2,24
XM series
XRC series
- ▼ Per / For cod. 1697
1:2
XW/XWA series
- ▲ Per / For cod. 1698
1:2,24
XW series
- Per / For cod. 1693
1:2,24
XT/XTA series

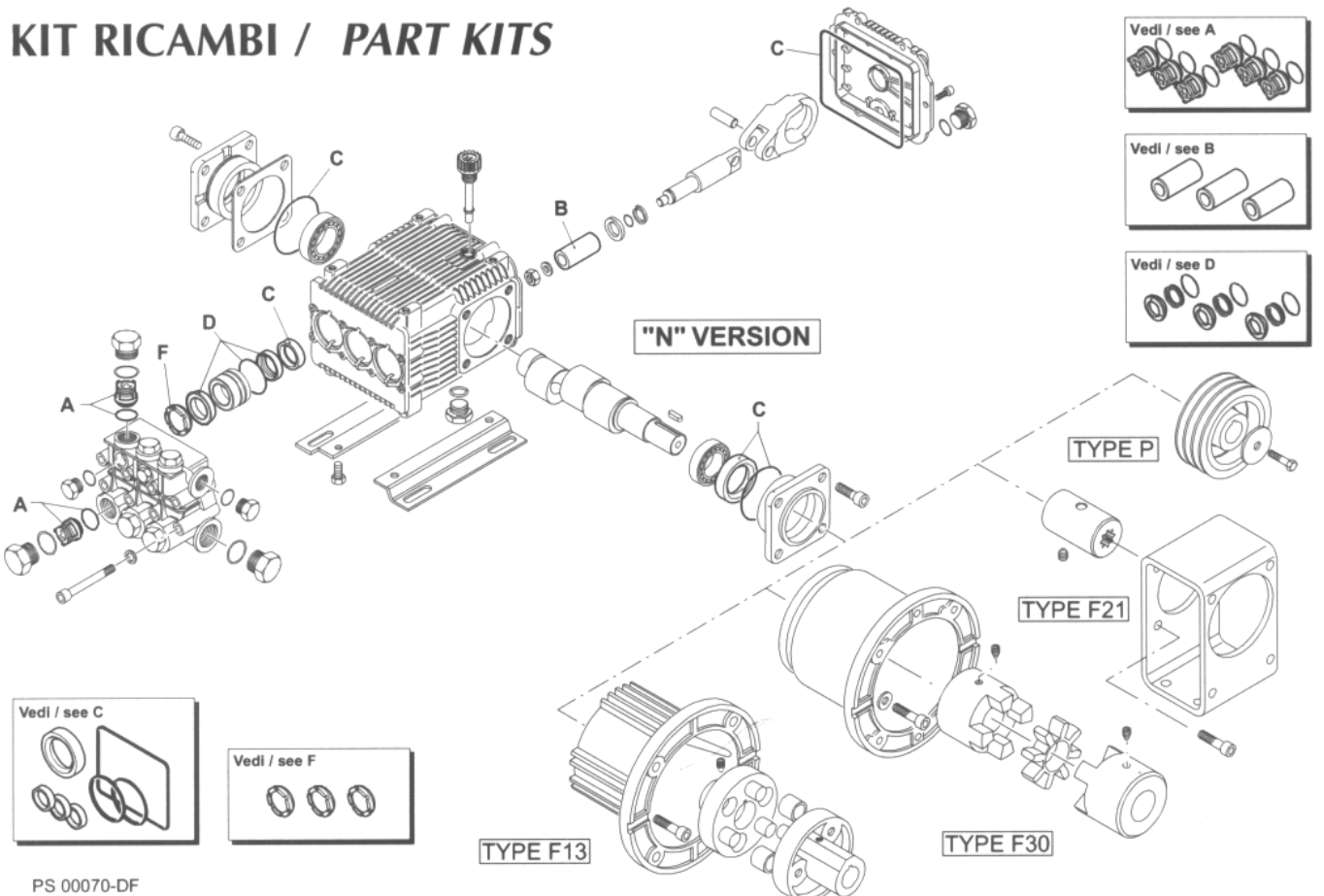
RK

VERSION **N** 1450 RPM



PS 00069-DF

KIT RICAMBI / PART KITS



PS 00070-DF

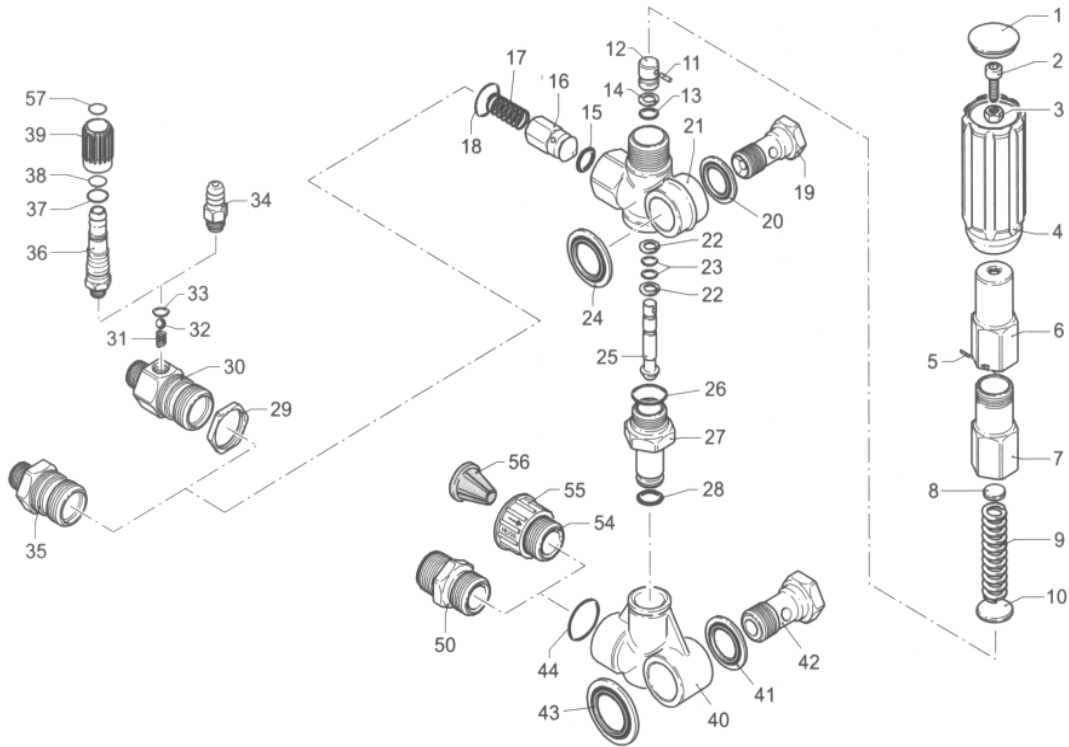
RK MODEL: 15.20H

| Pos | Part No | Description | Qty | Pos | Part No | Description | Qty |
|-----|-----------|--------------------|-----|-----|-----------|------------------------------------|-----|
| 1 | AR960160 | O Ring | 6 | 36 | AR1343510 | Screw | 6 |
| 2 | AR960090 | Plug | 6 | 40 | AR1380120 | 0.10mm shim | 1÷3 |
| 2 | AR1380740 | Plug | 6 | 40 | AR1380130 | 0.20mm shim | 1÷3 |
| 3 | AR1389051 | Complete Valve | 6 | 40 | AR1380530 | 0.25mm shim | 1÷3 |
| 4 | AR880830 | O Ring | 6 | 40 | AR1382810 | 0.05mm shim | 1÷3 |
| 5 | AR880581 | Plug | 2 | 42 | AR740290 | O ring | 3 |
| 6 | AR820510 | O Ring | 2 | 43 | AR1980740 | ³ / ₈ G plug | 2 |
| 11 | AR960110 | Support Ring | 3 | 44 | AR1260470 | Screw | 4 |
| 12 | AR880320 | Gasket | 3 | 45 | AR1380141 | Base | 2 |
| 13 | AR1380090 | Piston Guide | 3 | 46 | AR1980740 | ³ / ₈ G Plug | 1 |
| 14 | AR961240 | O Ring | 3 | 46 | AR1981180 | ³ / ₈ G Plug | 1 |
| 15 | AR880330 | Gasket | 3 | 47 | AR180101 | O Ring | 1 |
| 16 | AR138130 | Seal | 3 | 48 | AR820361 | Plug | 1 |
| 17 | AR850370 | Screw | 8 | 48 | AR960870 | Plug | 1 |
| 18 | AR1380050 | Closed Bearing sup | 1 | 49 | AR1381071 | Pump head | 1 |
| 19 | AR640030 | O Ring | 1 | 50 | AR820150 | Screw | 8 |
| 20 | AR2280240 | Bearing | 1 | 60 | AR1380320 | Bearing | 1 |
| 21 | AR1382770 | Pump Housing | 1 | 61 | AR621170 | Seal | 1 |
| 22 | AR880130 | Oil Cap | 1 | 62 | AR1380220 | O Ring | 1 |
| 23 | AR962010 | Nut | 3 | 63 | AR1380210 | Shaft cover | 1 |
| 24 | AR962000 | Washer | 3 | 66 | AR2280180 | Hollow Shaft 28mm | 1 |
| 24 | AR1380940 | Ceramic Piston | 3 | 66 | AR2280170 | Hollow Shaft 028mm | 1 |
| 26 | AR1380950 | Spacer | 3 | 66 | AR2280160 | Hollow Shaft 028mm | 1 |
| 27 | AR600180 | O ring | 3 | 66 | AR2280150 | Hollow Shaft 028mm | 1 |
| 28 | AR1380920 | Guiding Piston | 3 | 67 | AR1380370 | El Motor flange | 1 |
| 29 | AR1380060 | Piston Pin | 3 | 76 | AR620610 | Screw | 4 |
| 30 | AR1383050 | Aluminium con-rod | 3 | 86 | AR1260250 | Oil Indicator | 1 |
| 31 | AR1080401 | Ring | 3 | 87 | AR1260430 | Snap Ring | 1 |
| 32 | AR1381850 | Washer | 8 | 88 | AR1780690 | Disc | 1 |
| 34 | AR1780510 | O Ring | 1 | 89 | AR1140450 | O Ring | 1 |
| 35 | AR1789010 | Complete cover | 1 | | | | |

| Valve Kit | | Piston Kit | | Oil Seal Kit | |
|-----------|-----|------------|-----|--------------|-----|
| ARKIT1828 | | ARKIT2757 | | ARKIT1856 | |
| Pos | Qty | Pos | Qty | Pos | Qty |
| 3 | 6 | 25 | 3 | 16 | 3 |
| 4 | 6 | | | 19 | 1 |
| | | | | 34 | 1 |
| | | | | 61 | 1 |
| | | | | 62 | 1 |

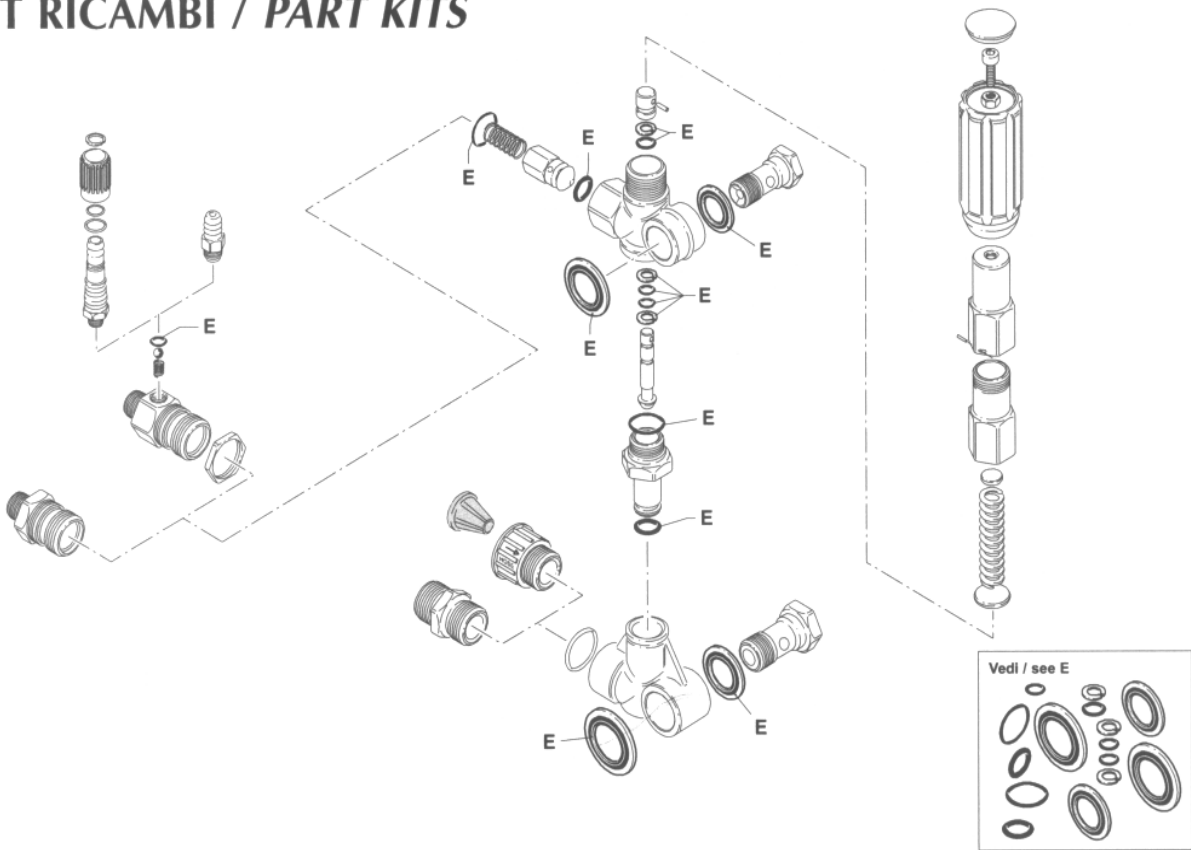
| Water Seal | | Support Ring | |
|------------|-----|--------------|-----|
| ARKIT1857 | | ARKIT1829 | |
| Pos | Qty | Pos | Qty |
| 12 | 3 | 11 | 3 |
| 14 | 3 | | |
| 15 | 3 | | |

GYMATIC 3/B



UN000190-HF

KIT RICAMBI / PART KITS

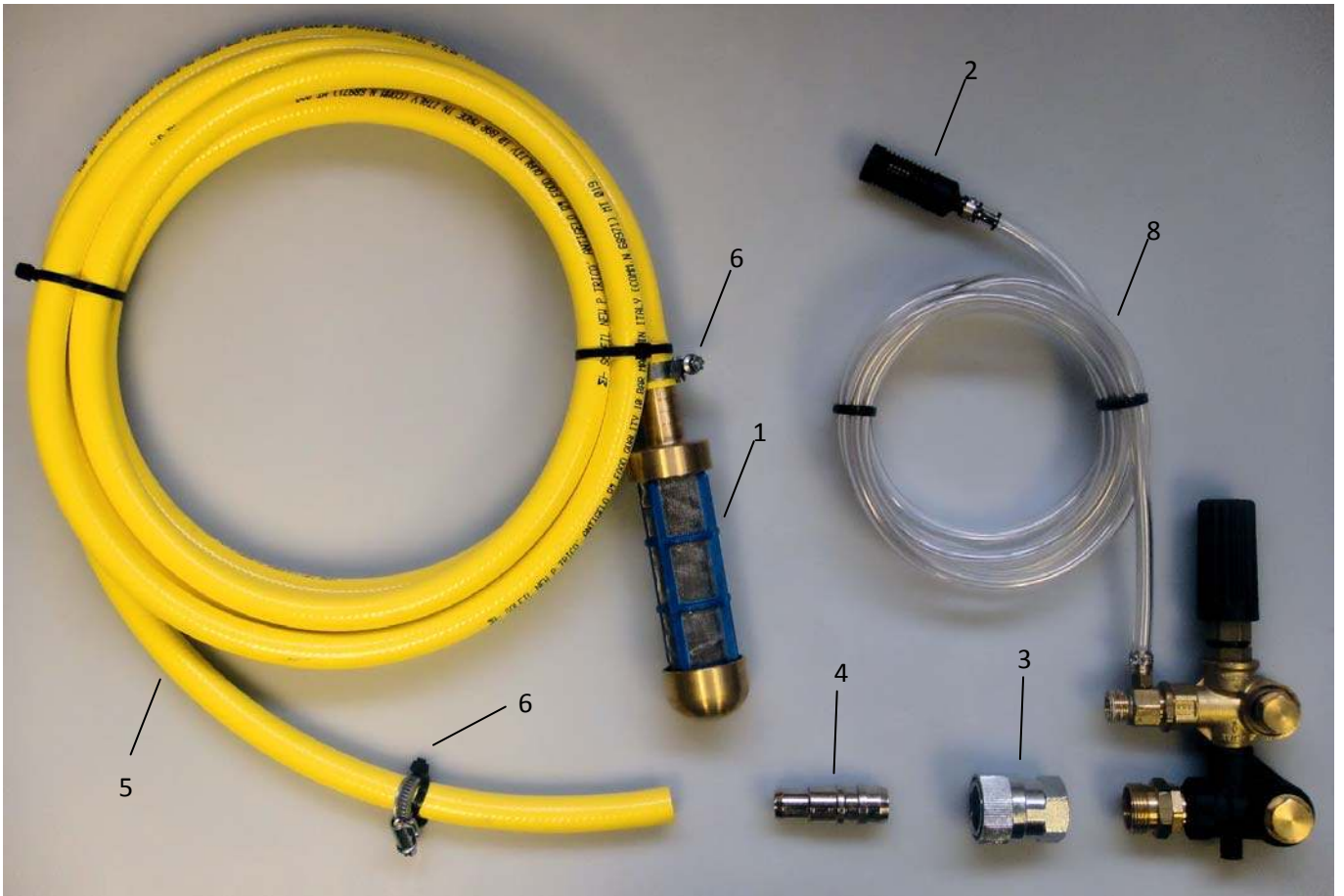


UN000191-HF

| GYMATIC 3/B | | | | | | | |
|-------------|-----------|------------------|-----|-----|-----------|--------------------|------|
| Pos | Part No | Description | Qty | Pos | Part No | Description | Qty1 |
| 1 | AR1560580 | Knob Plug | 1 | 39 | AR1560670 | Detergent Reg Knob | 1 |
| 2 | AR180030 | Screw | 1 | 40 | AR1540020 | By-pass housing | 1 |
| 3 | AR1660210 | Nut | 1 | 41 | AR154120 | Washer | 1 |
| 4 | AR1560400 | Handle | 1 | 42 | AR1540090 | Fitting 1/2" G | 1 |
| 5 | AR1080070 | Pin | 1 | 42 | AR1540200 | Fitting 1/2" NPT | 1 |
| 6 | AR1560420 | Adjusting Screw | 1 | 43 | AR1560290 | Washer | 1 |
| 7 | AR1560410 | Spring Guide | 1 | 44 | AR480440 | O Ring | 1 |
| 8 | AR1560440 | Plate | 1 | 50 | AR1540050 | Fitting 1/2" G | 1 |
| 9 | AR1560350 | Spring | 1 | 54 | AR1560310 | Fitting | 1 |
| 10 | AR108610 | Spring Plate | 1 | 55 | AR1560300 | Ring Nut | 1 |
| 11 | AR1080660 | Pin | 1 | 56 | AR1266330 | Filter | 1 |
| 12 | AR1080540 | Upper Piston | 1 | 57 | AR1560660 | Ring | 1 |
| 13 | AR391000 | O Ring | 1 | | | | |
| 14 | AR108640 | Back up Ring | 1 | | | | |
| 15 | AR1560150 | O Ring | 1 | | | | |
| 16 | AR1560100 | Jet | 1 | | | | |
| 17 | AR1560140 | Spring | 1 | | | | |
| 18 | AR180101 | O Ring | 1 | | | | |
| 19 | AR1540080 | Fitting 3/8" G | 1 | | | | |
| 19 | AR1540190 | Fitting 3/8" NPT | 1 | | | | |
| 20 | AR1540110 | Washer | 1 | | | | |
| 21 | AR1560010 | Valve Housing | 1 | | | | |
| 22 | AR1080550 | Back Up ring | 2 | | | | |
| 23 | AR480480 | O Ring | 2 | | | | |
| 24 | AR1560280 | Washer | 1 | | | | |
| 25 | AR1560320 | Lower piston | 1 | | | | |
| 26 | AR880270 | O Ring | 1 | | | | |
| 27 | AR1560051 | By pass adaptor | 1 | | | | |
| 28 | AR390080 | O Ring | 1 | | | | |
| 29 | AR1560510 | Nut | 1 | | | | |
| 30 | AR1560500 | Fitting 3/8" G | 1 | | | | |
| 30 | AR1560530 | Fitting 3/8" G | 1 | | | | |
| 30 | AR1560540 | Fitting 3/8" G | 1 | | | | |
| 31 | AR1560520 | Spring | 1 | | | | |
| 32 | AR1250280 | Ball | 1 | | | | |
| 33 | AR480480 | O Ring | 1 | | | | |
| 34 | AR1560490 | Hose Tail | 1 | | | | |
| 35 | AR1560110 | Adaptor 3/8" G | 1 | | | | |
| 35 | AR1560111 | Adaptor 3/8" G | 1 | | | | |
| 36 | AR1560650 | Hose Tail | 1 | | | | |
| 37 | AR800560 | O Ring | 1 | | | | |
| 38 | AR480560 | O Ring | 1 | | | | |

| ARKIT2611 | | | | | |
|-----------|-----|-----|-----|-----|-----|
| Pos | Qty | Pos | Qty | Pos | Qty |
| 13 | 1 | 23 | 2 | 43 | 1 |
| 14 | 1 | 24 | 1 | | |
| 15 | 1 | 26 | 1 | | |
| 18 | 1 | 28 | 1 | | |
| 20 | 1 | 33 | 1 | | |
| 22 | 2 | 41 | 1 | | |
| | | | | | |

Hurricane Range Inlet Fittings



| Position | Part No | Description | Qty |
|----------|---------------------------|--|-----|
| 1 | DEM10041 | 100 Mesh Suction Filter | |
| 2 | MTM86010 | Chemical Filter | |
| 3 | MTM73001 | QR Nipple Female | |
| 4 | MTM73020 | QR Nipple Male | |
| 5 | HH0053 | Yellow Hose | |
| 6 | DEM20500 | Jubilee Clip | |
| 7 | DEM10042 INC (1-4-5-6) | Suction filter with Hose and fittings | |
| 8 | DEM10115 | Detergent Pipe (Chemical Pipe) | |

