



# Clemas & Co Ltd

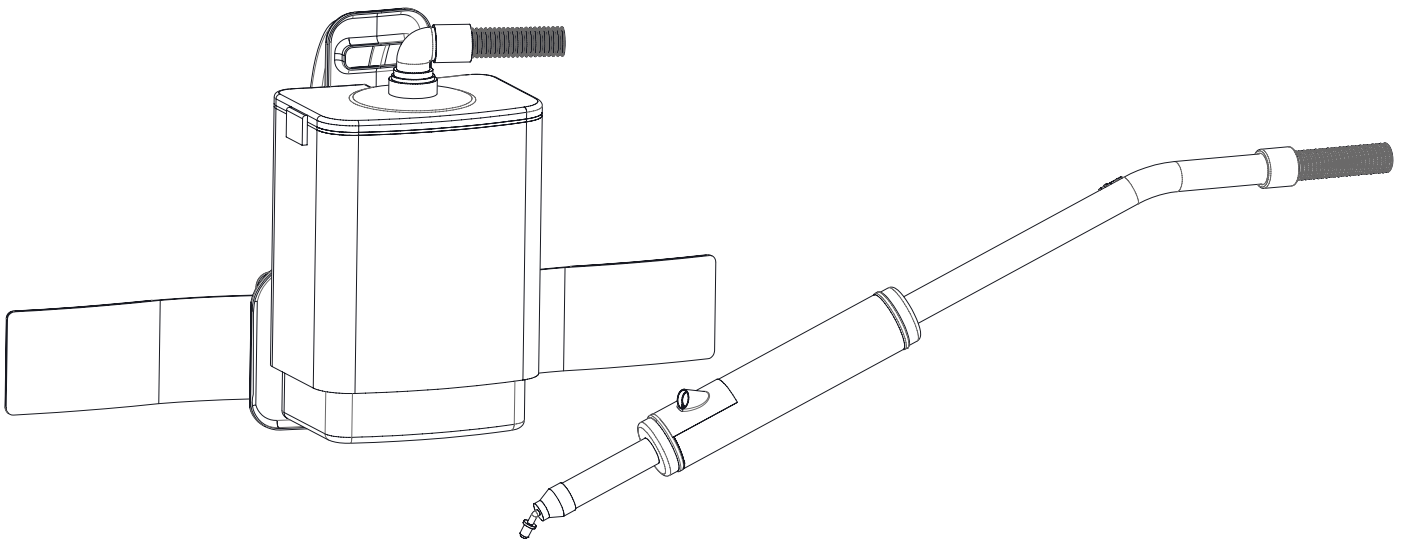
Industrial Cleaning Equipment  
Sales - Hire - Service

## I GUM PARTS MANUAL



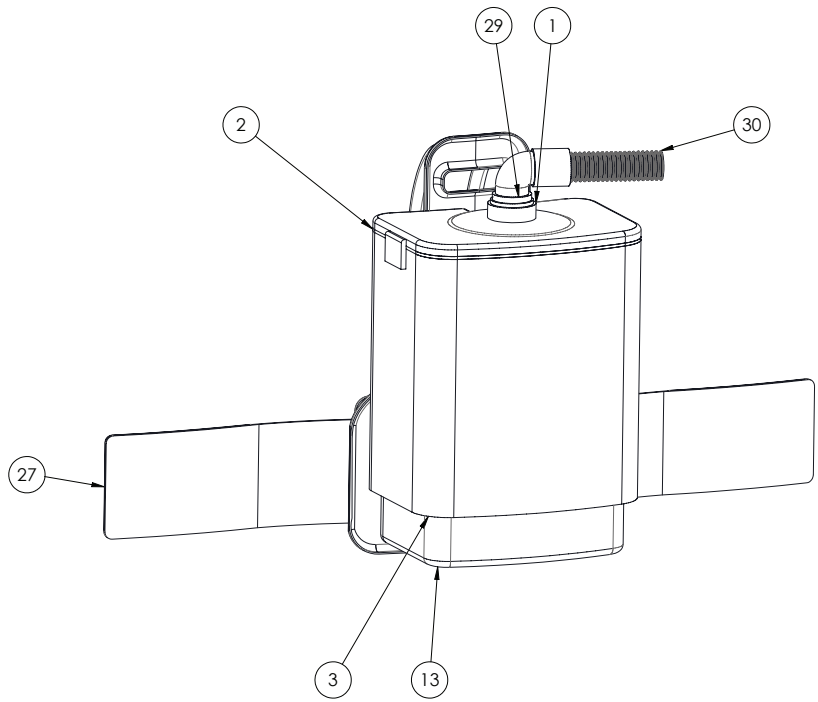
**Clemas & Co.** Unit 5 Ashchurch Business Centre, Alexandra Way, Tewkesbury,  
Gloucestershire, GL20 8NB.  
**Tel:** 01684 850777 **Fax:** 01684 850707  
**Email:** [info@clemas.co.uk](mailto:info@clemas.co.uk) **Web:** [www.clemas.co.uk](http://www.clemas.co.uk)

# Main Assembly



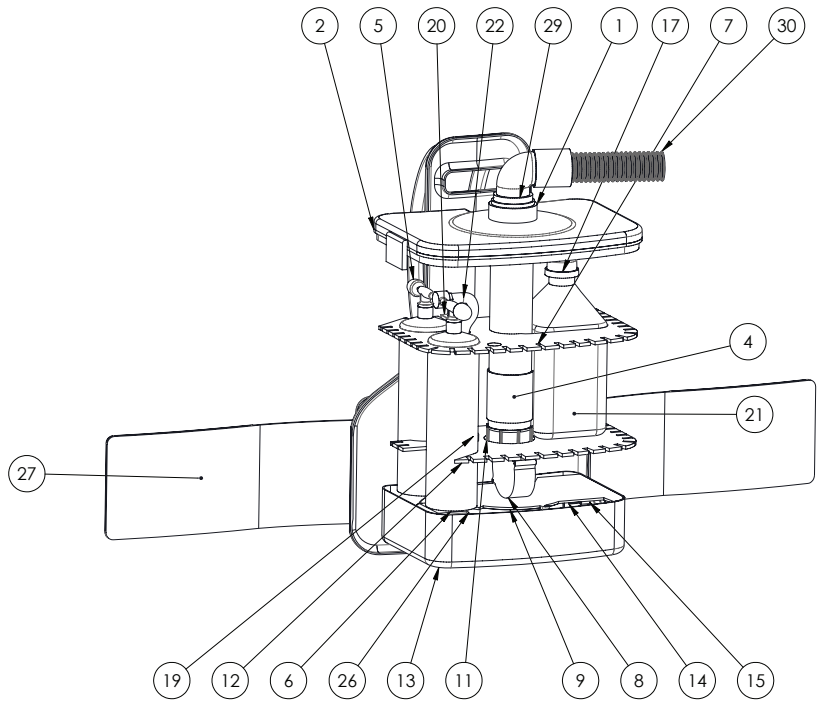
UNLESS OTHERWISE SPECIFIED: DIMENSIONS ARE IN MILLIMETERS		FINISH:		DEBUR AND BREAK SHARP EDGES		DO NOT SCALE DRAWING	REVISION
SURFACE FINISH:							
TOLERANCES:							
LINEAR:							
ANGULAR:							
DRAWN	NAME	SIGNATURE	DATE			TITLE:	
CHK'D							
APP'VD							
MFG							
Q.A					MATERIAL:	DWG NO.	
						A3	
					WEIGHT:	SCALE:1:5	SHEET 1 OF 53

ITEM NO.	PART NUMBER	QTY.
1	Top Lid	1
2	Top Rubber Seal	1
3	Main Body	1
4	Air Blower Tube	1
5	Gas Bottle Taps	1
6	Gas Cylinder	2
7	Upper Divider Plate	1
8	Blower Fan	1
9	Lower Inner housing	1
10	Fluid Pump	1
11	Air Blower Socket Upper	1
12	Lower Divider Plate	1
13	Lower Case	1
14	Fluid Controller	1
15	Main Switch	1
16	Ign Button	1
17	Fluid Bottle Cap	1
18	Fluid Push Fit Connector	1
19	Gas Regulator	1
20	Solenoid Assy	1
21	Fluid Bottle	1
22	Gas Pipe 1	1
23	Gas Pipe 2	1
24	Fluid Pipe Bottle to Pump	1
25	Fluid Pipe Pump to Lance	1
26	Ignition Control (waterproof)	1
27	Back Pack	1
28	Safety Switch	1
29	Hose Connector Angled	1
30	Hose	1



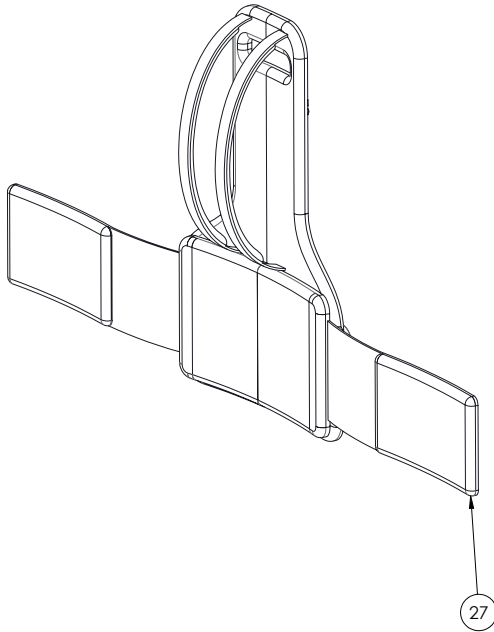
UNLESS OTHERWISE SPECIFIED: DIMENSIONS ARE IN MILLIMETERS				FINISH:		DEBUR AND BREAK SHARP EDGES		DO NOT SCALE DRAWING		REVISION	
SURFACE FINISH:				TOLERANCES:		LINEAR:		ANGULAR:		TITLE:	
DRAWN				NAME		SIGNATURE		DATE		MATERIAL:	
CHK'D										DWG NO.	
APP'VD										SCALE:1:5	
MFG										SHEET 2 OF 53	
Q.A										A3	
										WEIGHT:	

ITEM NO.	PART NUMBER	QTY.
1	Top Lid	1
2	Top Rubber Seal	1
3	Main Body	1
4	Air Blower Tube	1
5	Gas Bottle Taps	1
6	Gas Cylinder	2
7	Upper Divider Plate	1
8	Blower Fan	1
9	Lower Inner housing	1
10	Fluid Pump	1
11	Air Blower Socket Upper	1
12	Lower Divider Plate	1
13	Lower Case	1
14	Main Switch	1
15	Fluid Controller	1
16	Ign Button	1
17	Fluid Bottle Cap	1
18	Fluid Push Fit Connector	1
19	Gas Regulator	1
20	Solenoid Assy	1
21	Fluid Bottle	1
22	Gas Pipe 1	1
23	Gas Pipe 2	1
24	Fluid Pipe Bottle to Pump	1
25	Fluid Pipe Pump to Lance	1
26	Ignition Control (waterproof)	1
27	Back Pack	1
28	Safety Switch	1
29	Hose Connector Angled	1
30	Hose	1



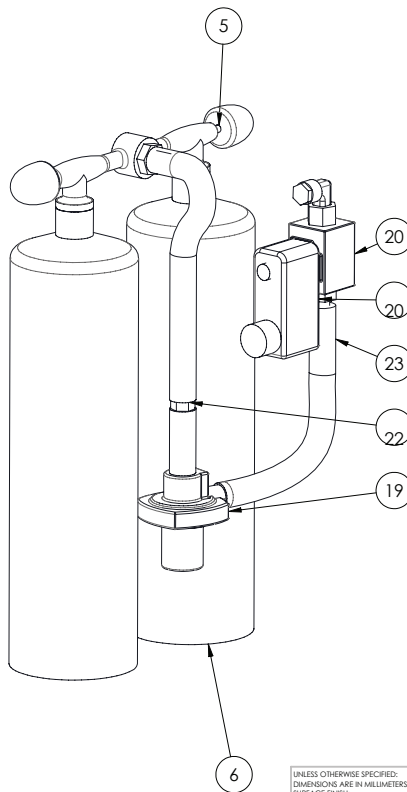
UNLESS OTHERWISE SPECIFIED: DIMENSIONS ARE IN MILLIMETERS		FINISH:		DEBUR AND BREAK SHARP EDGES		DO NOT SCALE DRAWING		REVISION	
SURFACE FINISH:									
TOLERANCES:									
LINEAR:									
ANGULAR:									
DRAWN		NAME	SIGNATURE	DATE		TITLE:			
CHK'D									
APP'VD									
MFG									
Q.A						MATERIAL:		DWG NO.	
								A3	
						WEIGHT:		SCALE:1:5	
								SHEET 3 OF 53	

ITEM NO.	PART NUMBER	DESCRIPTION	QTY.
29	Hose Connector Angled		1



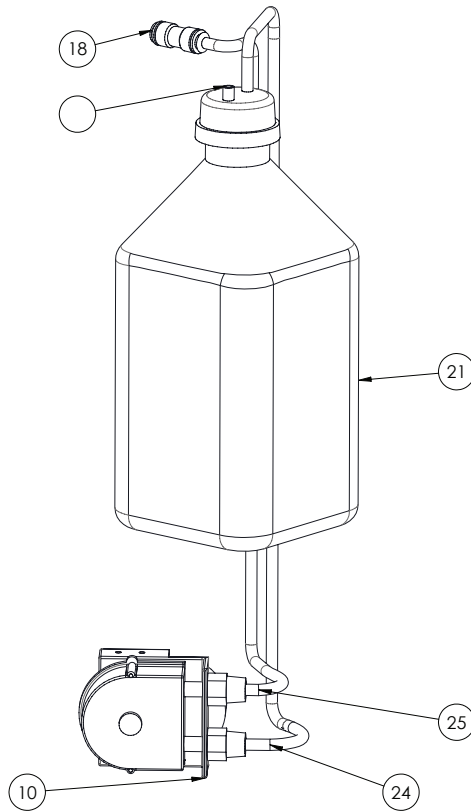
UNLESS OTHERWISE SPECIFIED: DIMENSIONS ARE IN MILLIMETERS		FINISH:		DEBUR AND BREAK SHARP EDGES		DO NOT SCALE DRAWING		REVISION	
SURFACE FINISH:									
TOLERANCES:									
LINEAR:									
ANGULAR:									
DRAWN		NAME	SIGNATURE	DATE		TITLE:			
CHK'D									
APP'VD									
MFG									
Q.A						MATERIAL:		DWG NO.	
								A3	
						WEIGHT:		SCALE:1:5	
								SHEET 4 OF 53	

ITEM NO.	PART NUMBER	QTY.
5	Gas Bottle Taps	1
6	Gas Cylinder	2
19	Gas Regulator	1
20	Solenoid Assy	1
	Solenoid Acutator	1
	Gas Solenoid	1
22	Gas Pipe 1	1
23	Gas Pipe 2	1



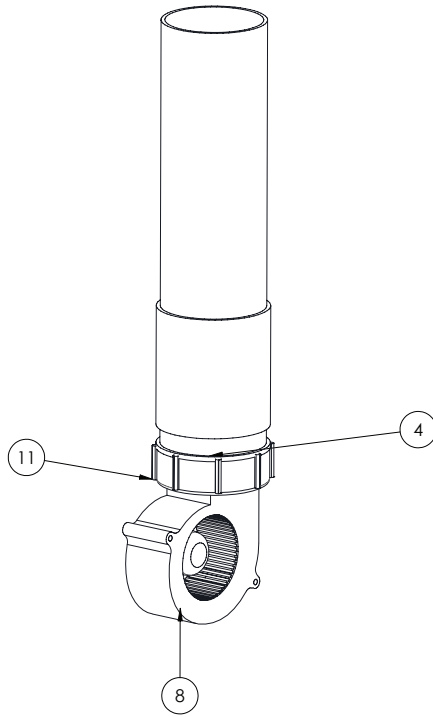
UNLESS OTHERWISE SPECIFIED: DIMENSIONS ARE IN MILLIMETERS		FINISH:		DEBUR AND BREAK SHARP EDGES		DO NOT SCALE DRAWING		REVISION	
SURFACE FINISH:		TOLERANCES:		LINEAR:		ANGULAR:		TITLE:	
DRAWN	NAME	SIGNATURE	DATE						
CHK'D									
APP'VD									
MFG									
Q.A						MATERIAL:		DWG NO.	A3
						WEIGHT:		SCALE:1:2	SHEET 5 OF 53

ITEM NO.	PART NUMBER	QTY.
10	Fluid Pump	1
17	Fluid Bottle Cap	1
18	Fluid Push Fit Connector	1
21	Fluid Bottle	1
24	Fluid Pipe Bottle to Pump	1
25	Fluid Pipe Pump to Lance	1



UNLESS OTHERWISE SPECIFIED: DIMENSIONS ARE IN MILLIMETERS		FINISH:		DEBUR AND BREAK SHARP EDGES		DO NOT SCALE DRAWING		REVISION	
SURFACE FINISH:									
TOLERANCES:									
LINEAR:									
ANGULAR:									
NAME		SIGNATURE		DATE		TITLE			
DRAWN									
CHK'D									
APP'VD									
MFG									
Q.A						MATERIAL:		DWG NO.	
								A3	
						WEIGHT:		SCALE:1:2	
								SHEET 6 OF 53	

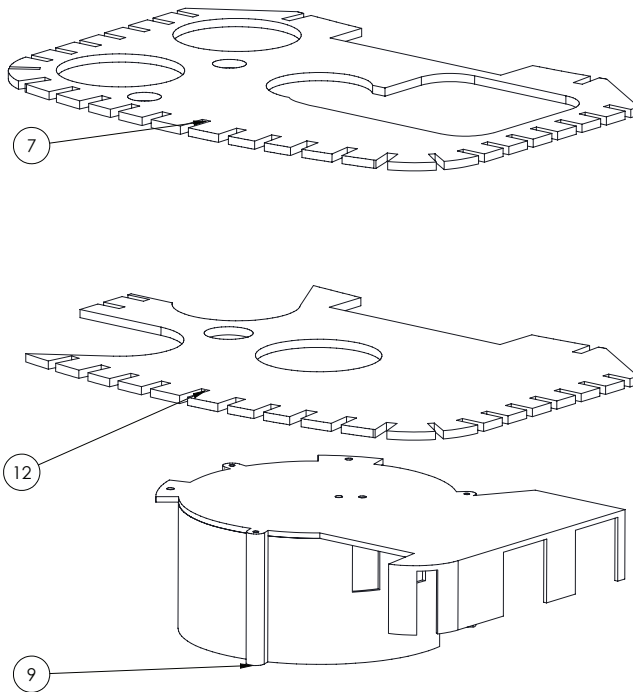
ITEM NO.	PART NUMBER	QTY.
4	Air Blower Tube	1
8	Blower Fan	1
11	Air Blower Socket Upper	1



UNLESS OTHERWISE SPECIFIED: DIMENSIONS ARE IN MILLIMETERS		FINISH:		DEBUR AND BREAK SHARP EDGES		DO NOT SCALE DRAWING		REVISION	
SURFACE FINISH:									
TOLERANCES:									
LINEAR:									
ANGULAR:									
DRAWN	NAME	SIGNATURE	DATE			TITLE:			
CHK'D									
APP'VD									
MFG									
Q.A						MATERIAL:		DWG NO.	
								A3	
						WEIGHT:		SCALE:1:2	
								SHEET 7 OF 53	

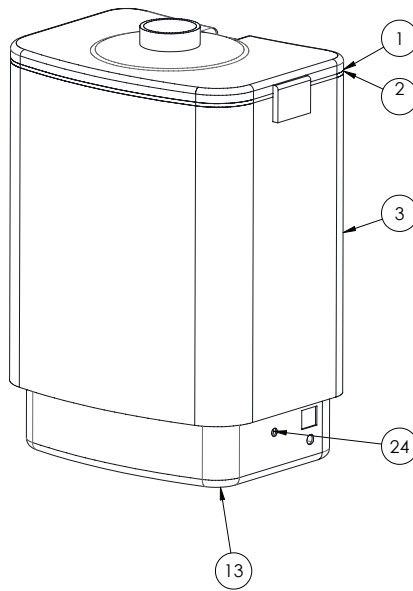


ITEM NO.	PART NUMBER	QTY.
7	Upper Divider Plate	1
9	Lower Inner housing	1
12	Lower Divider Plate	1



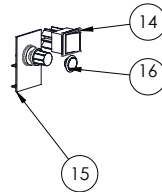
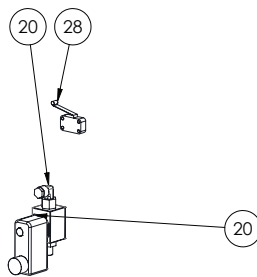
UNLESS OTHERWISE SPECIFIED: DIMENSIONS ARE IN MILLIMETERS				FINISH:		DEBUR AND BREAK SHARP EDGES		DO NOT SCALE DRAWING		REVISION	
SURFACE FINISH:				TOLERANCES:		LINEAR:		ANGULAR:		TITLE:	
DRAWN	NAME	SIGNATURE	DATE								
CHK'D											
APP'VD											
MFG											
Q.A											
						MATERIAL:				DWG NO.	A3
						WEIGHT:				SCALE:1:2	SHEET 6 OF 53

ITEM NO.	PART NUMBER	QTY.
1	Top Lid	1
2	Top Rubber Seal	1
3	Main Body	1
13	Lower Case	1



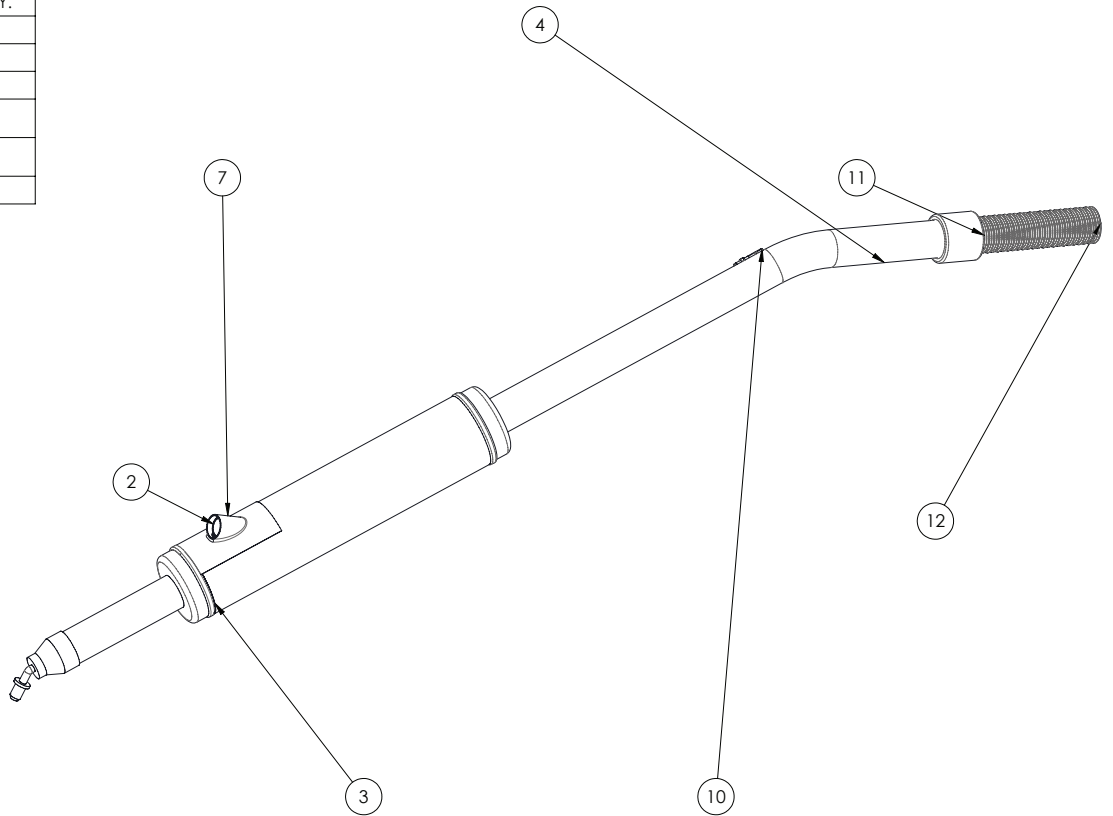
UNLESS OTHERWISE SPECIFIED: DIMENSIONS ARE IN MILLIMETERS				FINISH:		DEBUR AND BREAK SHARP EDGES		DO NOT SCALE DRAWING		REVISION	
SURFACE FINISH:											
TOLERANCES:											
LINEAR:											
ANGULAR:											
DRAWN		NAME	SIGNATURE	DATE				TITLE:			
CHK'D											
APP'VD											
MFG											
Q.A								MATERIAL:		DWG NO.	
										A3	
								WEIGHT:		SCALE:1:4	
										SHEET 9 OF 53	

ITEM NO.	PART NUMBER	QTY.
14	Main Switch	1
15	Fluid Controller	1
16	Ign Button	1
20	Solenoid Assy	1
26	Ignition Control (waterproof)	1
28	Safety Switch	1



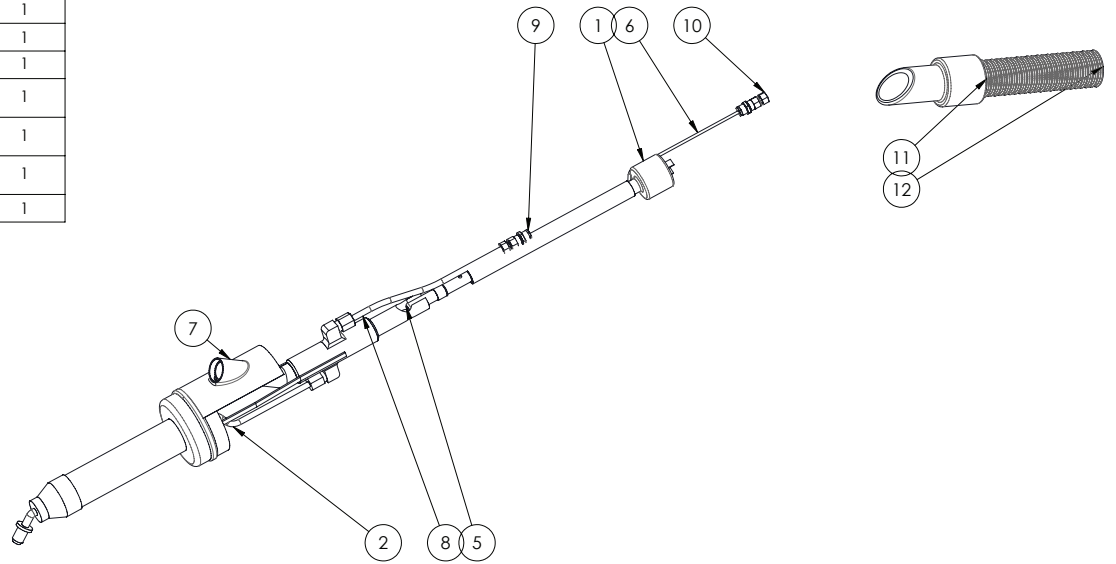
UNLESS OTHERWISE SPECIFIED: DIMENSIONS ARE IN MILLIMETERS				FINISH:		DEBUR AND BREAK SHARP EDGES		DO NOT SCALE DRAWING		REVISION	
SURFACE FINISH:				TOLERANCES:		LINEAR:		ANGULAR:		TITLE:	
DRAWN	NAME	SIGNATURE	DATE								
CHK'D											
APP'VD											
MFG											
Q.A											
							MATERIAL:			DWG NO.	A3
							WEIGHT:			SCALE:1:4	SHEET 10 OF 53

ITEM NO.	PART NUMBER	QTY.
2	Heat Exchanger	1
3	Lance Carbon Fiber	1
4	Lance Steel Upper	1
10	Gas pipe Coupler Lance	1
11	Hose Connector Straight	1
12	Hose	1



UNLESS OTHERWISE SPECIFIED: DIMENSIONS ARE IN MILLIMETERS		FINISH:		DEBUR AND BREAK SHARP EDGES		DO NOT SCALE DRAWING	REVISION
SURFACE FINISH:							
TOLERANCES:							
LINEAR:							
ANGULAR:							
DRAWN	NAME	SIGNATURE	DATE			TITLE:	
CHK'D							
APP'VD							
MFG							
Q.A							
				MATERIAL:		DWG NO.	A3
				WEIGHT:		SCALE:1:4	SHEET 11 OF 53

ITEM NO.	PART NUMBER	QTY.
1	Burner Ignition Coil	1
2	Heat Exchanger	1
3	Lance Carbon Fiber	1
4	Lance Steel Upper	1
5	Gas Burner	1
6	Heat Shield for Burner	1
7	Burner Exhaust	1
8	Steel Fluid Pipe	1
9	Fluid pipe Coupler Lance	1
10	Gas pipe Coupler Lance	1
11	Hose Connector Straight	1
12	Hose	1



UNLESS OTHERWISE SPECIFIED: DIMENSIONS ARE IN MILLIMETERS				FINISH:		DEBUR AND BREAK SHARP EDGES		DO NOT SCALE DRAWING		REVISION	
SURFACE FINISH:				TOLERANCES:		LINEAR:		ANGULAR:		TITLE:	
DRAWN	NAME	SIGNATURE	DATE								
CHK'D											
APP'VD											
MFG											
Q.A											
							MATERIAL:			DWG NO.	A3
							WEIGHT:			SCALE:1:4	SHEET 12 OF 53