

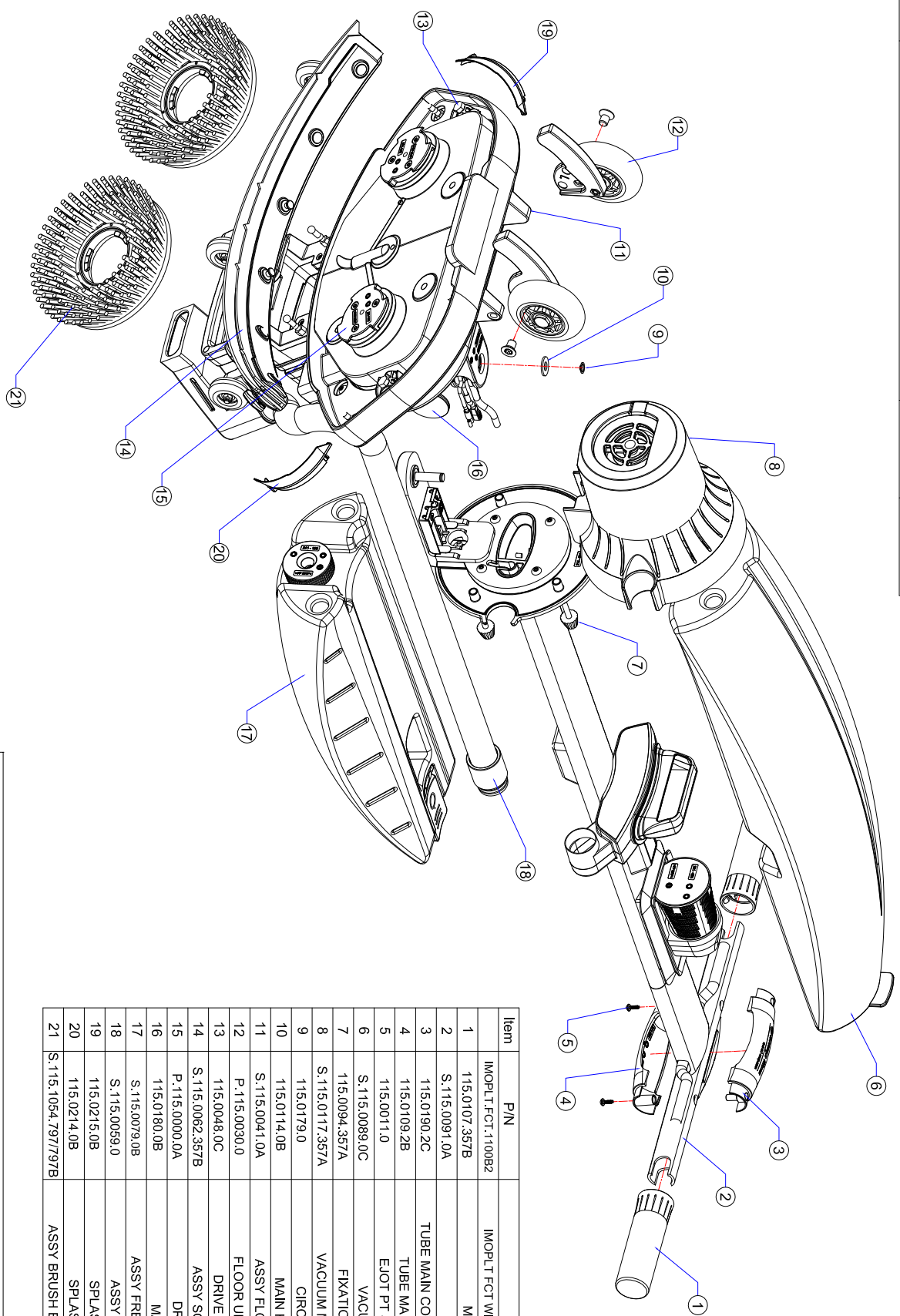
Clemas  
CLEANING MACHINES

# i-mop Lite Parts Manual



Unit 16 Alexandra Way, Ashchurch Business Centre,  
Tewkesbury, GL20 8NB  
Phone No. 01684 850 777 Email. [info@clemas.co.uk](mailto:info@clemas.co.uk)  
Website. [www.clemas.co.uk](http://www.clemas.co.uk)

REVISION	DESCRIPTION	REVISED BY	DATE
A	FIRST RELEASE	CONNIE	11/Jan/2022



Item	P/N	Description	Qty.
1	IMOPLT.FCT.1100B2	IMOPLT FCT WITH MOTOR & CHARGER & BATTERY	
1	115.0107.357B	MAIN GRIP GREY	1
2	S.115.0091.0A	ASSY TUBE	1
3	115.0190.2C	TUBE MAIN COVER FRONT IMOP LITE	1
4	115.0109.2B	TUBE MAIN COVER REAR WHITE	1
5	115.0011.0	EJOT PT SCREW WN 545T 30X10	2
6	S.115.0089.0C	VACUUM TANK + PRINT	1
7	115.0094.357A	FIXATION FEET GREY P431C	4
8	S.115.0117.357A	VACUUM MOTOR HOISING BOTTOM	1
9	115.0179.0	CIRCLIP EXTERNAL 8.0	1
10	115.0114.0B	MAIN HINGE FIXATION DIS	1
11	S.115.0041.0A	ASSY FLOOR UNIT COMPLETE	1
12	P.115.0030.0	FLOOR UNIT TRANSPORT CASTOR XL	1
13	115.0048.0C	DRIVE MODULE FIXATION PIN	2
14	S.115.0062.357B	ASSY SQUEEGEE MAIN HOUSING	1
15	P.115.0000.0A	DRIVE MODULE MOTOR	1
16	115.0180.0B	MAIN HINGE COVER	2
17	S.115.0079.0B	ASSY FRESH WATER TANK + PRINT	1
18	S.115.0059.0	ASSY MAIN SUCTION HOSE	1
19	115.0215.0B	SPLASH PROTECTION RIGHT	1
20	115.0214.0B	SPLASH PROTECTION LEFT	1
21	S.115.1054.797/797B	ASSY BRUSH BLUE BRISTLE   BLUE LOCKER	2

TOLERANCE UNSPECIFIED

LINE	ANGLE	REMARK:
XXX	±2°	
XX	±1.5°	
X	±1°	
.	±0.5°	
XX	±0.5°	
XX	±1	

SHEET 1 OF 1 DATE

REMARK:

MATERIAL:

APPROVED CHECKED DISIGNED

CONNIE

SCALE 1:1 DRAWING NO

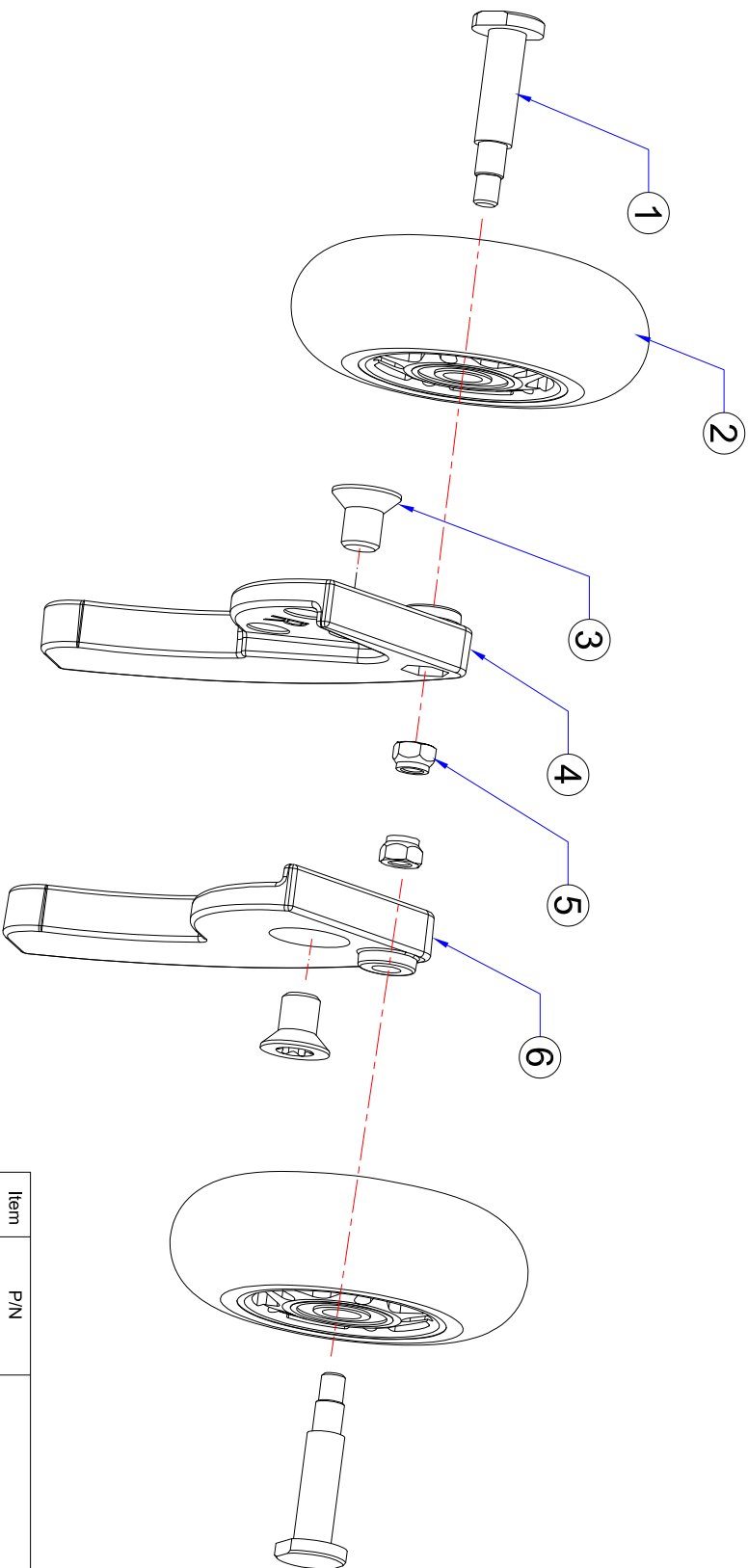
ASSEMBLY AND MOULDING OF CLEANING

**SMT-FOT DONG GUAN**  
**THE FRIENDLY FAMILY**

东莞硕能塑胶模具有限公司

REV A PART NAME IMOPLT FCT WITH MOTOR  
 UNIT MM IWO CHARGER & BAT BIG  
 SCALE 1:1 DRAWING NO IMOPLT.FCT.1100B2/1  
 SIZE A4

REVISION	DESCRIPTION	REVISED BY	DATE
A	FIRST RELEASE	CONNIE	11/Jan/2022



Item	P/N	Description	Qty.
1	P.115.0030.0	FLOOR UNIT TRANSPORT CASTOR XL	
1	115.0199.0C	TRANSPORT CASTOR AXIS IMOPUTE	2
2	72.0029.2797	WHITE CASTOR + BLUE BRACKET	2
3	115.0177.0	COUNTER SUNK BOLT M8 x 12	2
4	115.0030.0F	TRANSPORT WHEEL PILLAR RIGHT	1
5	04.0048.0	NUT M5 NYLON STAINLESS	2
6	115.0031.0F	TRANSPORT WHEEL PILLAR LEFT	1

TOLERANCE UNSPECIFIED

LINE	ANGLE	REMARK:
XXX	±0.005	X ±2°
XX	±0.05	X ±1.5°
X	±0.1	X ±1°
.	±0.2	XX ±1°
XX	±0.5	XXX ±0.5°
	±1	

REMARK:  
 MATERIAL:  
 APPROVED CHECKED  
 DISIGNED  
 CONNIE

LINE	ANGLE	REV	UNIT	PART NAME	IMOPUTE FCT WITH MOTOR W/O CHARGER & BAT BIG	SIZE
XXX	±0.005	X	A			⊕
XX	±0.05	X	MM			□
X	±0.1	XX				
.	±0.2	XX				
XX	±0.5	XXX				
	±1					

SHEET 1 OF 1

DATE

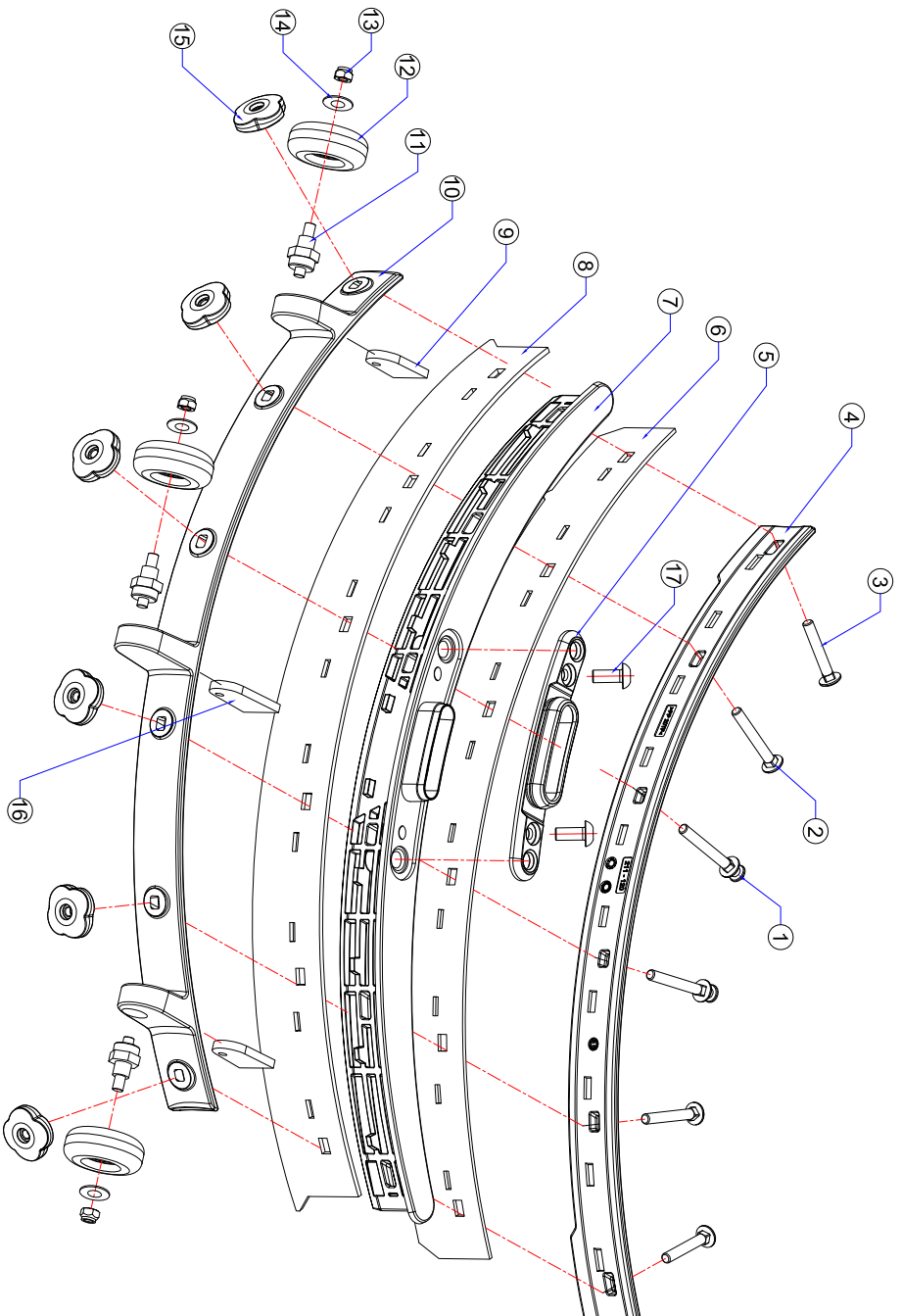
SCALE 1:1

DRAWING NO

**SMT-FCT DONG GUAN**  
**THE FRIENDLY FAMILY**

东莞硕能塑胶模具有限公司  
 ASSEMBLY AND MOULDING OF CLEANING

REVISION	DESCRIPTION	REVISED BY	DATE
A	FIRST RELEASE	CONNIE	11/Jan/2022



Item	P/N	Description	Qty.
1	S.115.0062.357B 115.0069.0A	ASSY SQUEEGEE MAIN HOUSING SQUEEGEE BOLT LARGE	2
2	115.0068.0A	SQUEEGEE BOLT MEDIUM	2
3	115.0067.0A	SQUEEGEE BOLT SMALL	2
4	115.0063.357C	SQUEEGEE FRONT HOUSING GREY P431C	1
5	115.0070.357C	SQUEEGEE BRACKET GREY P431C	1
6	115.0065.0C	SQUEEGEE FRONT AROFLEX T=2MM PU BLUE	1
7	115.0062.357C	SQUEEGEE MAIN HOUSING GREY P431C	1
8	115.0066.0C	SQUEEGEE REAR T=2.5MM PU BLUE	1
9	115.0071.0A	SQUEEGEE REAR BRACKET SHORT	2
10	115.0064.357D	SQUEEGEE CASTOR BRACKET	1
11	115.0076.0D	SQUEEGEE CASTOR AXIS	3
12	115.0075.357A	QUEEGEE CASTOR GREY P431C	3
13	04.0048.0	NUT M6 NYLON STAINLESS	3
14	00.0091.0	WASHER STAINLESS M6 5.1x12x1	3
15	115.0073.357A	SQUEEGEE FIXATION NUT GREY P431C	6
16	115.0072.0A	SQUEEGEE CASTOR BRACKET LONG	1
17	115.0095.0	CYLINDER RROUND HEAD CAP SCREW M5X12	2

TOLERANCE UNSPECIFIED

LINE	ANGLE
XXX ±0.005	X ±2°
XX ±0.05	X ±1.5°
X ±0.1	XX ±1°
. ±0.2	XXX ±0.5°
XX ±0.5	±1

REMARK:

MATERIAL:  
APPROVED CHECKED DISIGNED  
CONNIE

REV A  
UNIT MM  
SCALE 1:1  
DRAWING NO

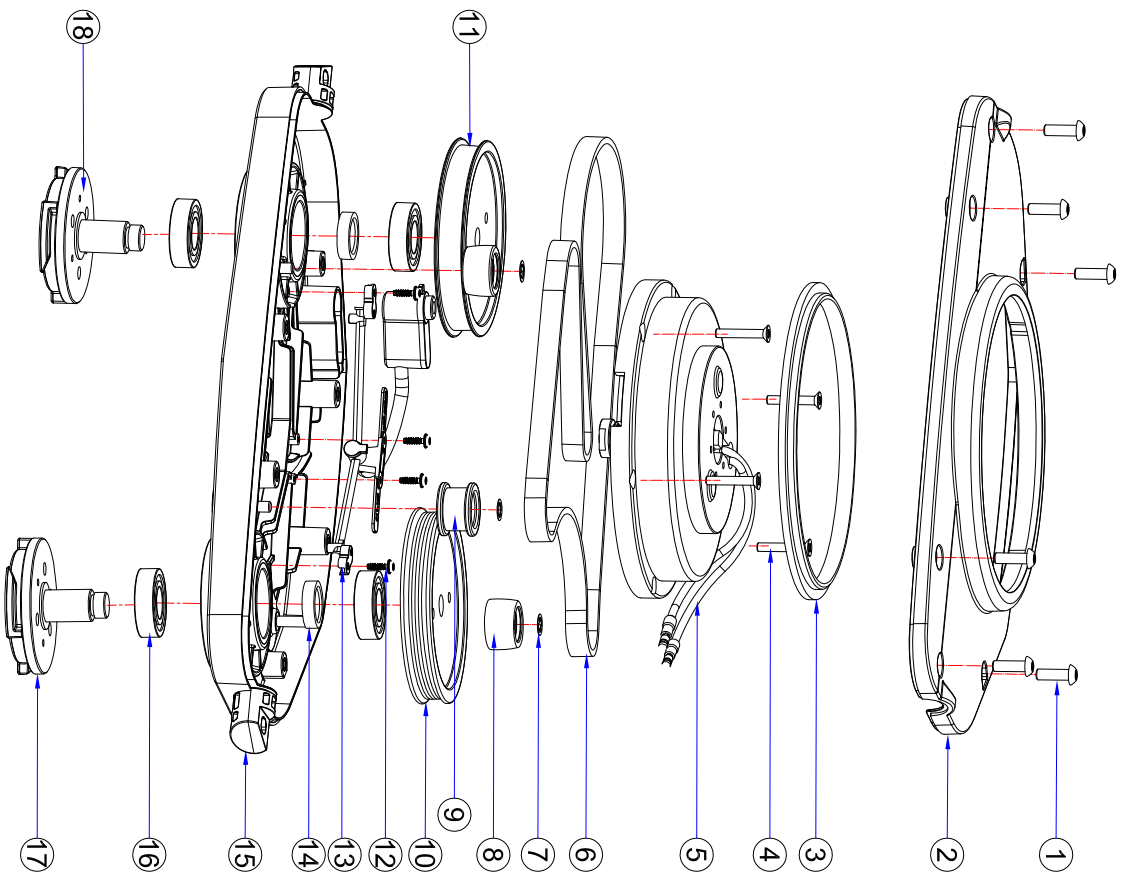
**SMT-FCT DONG GUAN**  
**THE FRIENDLY FAMILY**

东莞硕能塑胶模具有限公司

ASSEMBLY AND MOULDING OF CLEANING

IMOP.LTE FCT WITH MOTOR W/O CHARGGRER & BAT BIG	IMOP.LT.FCT.1100B2/1	SIZE
SHEET 1 OF 1	DATE	A4

REVISION	DESCRIPTION	REVISED BY	DATE
A	FIRST RELEASE	CONNIE	11/Jan/2022



Item	P/N	Description	Qty.
1	P.115.0000.0A	DRIVE MODULE MOTOR	6
2	115.0012.0	CYLINDER ROUND HEAD CAP SCREW M5X16	1
3	115.0005.357C	DRIVE MODULE COVER GREY P431C	1
4	115.0003.0B	DRIVE MOTOR RUBBER	1
5	115.0002.0	COUNTER SUNK BOLT M4X25	4
6	S.115.0000.0A	ASSY DRIVE MODULE MOTOR	1
7	115.0004.0	PULLEY 864	1
8	115.0023.0	SELF LOCKING RING ZA 5	3
9	S.115.0009.0C	IDLER COMPLETE TYP C	2
10	S.115.0008.0C	ASSY IDLER TYP B	1
11	115.0006.0D	DRIVE PULLEY CW	1
12	115.0007.0E	DRIVE PULLEY CCW	1
13	115.0011.0	EJOT PT SCREW WN 5451 30X10	4
14	S.115.0020.357	ASSY DRIVE MODULE WATER DISTRIBUTOR	1
15	115.0097.0A	DRIVE MODULE CHASSIS BEARING SUPPORT RING	2
16	S.115.0010.357O	CHASSIS COMPLETE GREY P431C	1
17	115.0195.0	BALL BEARING 6002 ZZ	4
18	S.115.0016.357A	ASSY BRUSH COUPLING CW GREY P431C	1
	S.115.0017.357A	ASSY BRUSH COUPLING CCW GREY P431C	1

TOLERANCE UNSPECIFIED

LINE	ANGLE	REMARK:
XXX	±0.005	X ±2°
XX	±0.05	X ±1.5°
X	±0.1	XX ±1°
.	±0.2	XXX ±0.5°
XX	±0.5	±1

REMARK:

MATERIAL:  
 APPROVED CHECKED DISIGNED  
 CONNIE

SHEET 1 OF 1 DATE 11/Jan/2022

SCALE 1:1 DRAWING NO

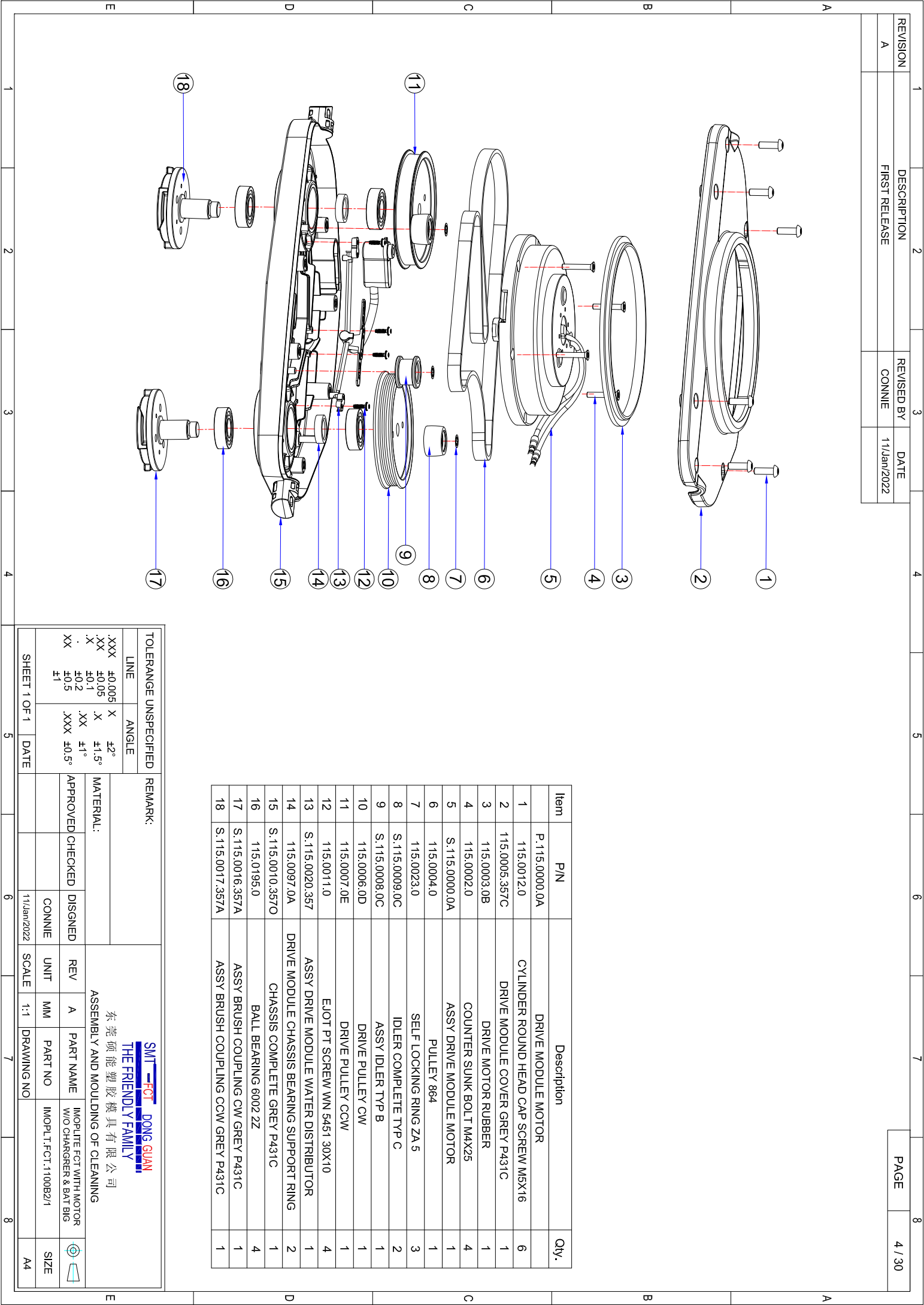
REV A PART NAME IMOPUTE FCT WITH MOTOR W/O CHARGER & BAT BIG

UNIT MM PART NO IMOPLT.FCT.110082/1

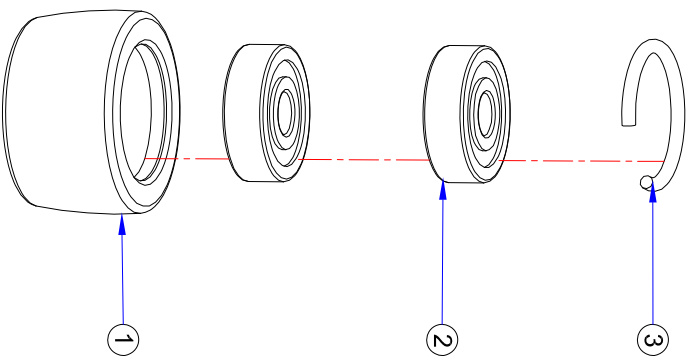
SIZE A4

**SMT-FCT DONG GUAN**  
**THE FRIENDLY FAMILY**

东莞硕能塑胶模具有限公司  
 ASSEMBLY AND MOLDING OF CLEANING



REVISION	DESCRIPTION	REVISED BY	DATE
A	FIRST RELEASE	CONNIE	11/Jan/2022



Item	P/N	Description	Qty.
1	S.115.0009.0C	IDLER COMPLETE TYP C	1
2	115.0182.0	BALL BEARING 625 2Z	2
3	115.0183.0	SNAP RING CIRCLIP RB 16X1.6	1

TOLERANCE UNSPECIFIED		REMARK:	
LINE	ANGLE	REVISION	DATE
XXX	±0.005	X	±2°
XX	±0.05	X	±1.5°
X	±0.1	XX	±1°
.	±0.2	XXX	±0.5°
XX	±0.5		
±1			

MATERIAL:	APPROVED	CHECKED	DISIGNED	REV	UNIT	PART NAME	IMOPLETE FCT WITH MOTOR W/O CHARGER & BAT BIG
			CONNIE	A	MM	ASSEMBLY AND MOULDING OF CLEANING	

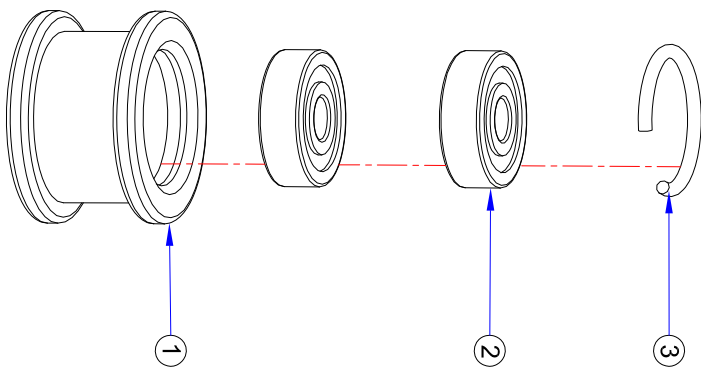
  

SHEET 1 OF 1	DATE	SCALE	DRAWING NO	SIZE
11/Jan/2022		1:1		A4

**SMT-FOT DONG GUAN**  
**THE FRIENDLY FAMILY**

东莞硕能塑胶模具有限公司  
 ASSEMBLY AND MOULDING OF CLEANING

REVISION	DESCRIPTION	REVISED BY	DATE
A	FIRST RELEASE	CONNIE	11/Jan/2022



Item	P/N	Description	Qty.
	S.115.0008.0C	ASSY IDLER TYP B	
1	115.0008.0C	IDLER TYP B	1
2	115.0182.0	BALL BEARING 625 2Z	2
3	115.0183.0	SNAP RING CIRCLIP RB 16X1.6	1

TOLERANCE UNSPECIFIED		REMARK:	
LINE	ANGLE	ANGLE	
XXX	±0.005	X	±2°
XX	±0.05	X	±1.5°
X	±0.1	.XX	±1°
.	±0.2	XXX	±0.5°
XX	±0.5	±1	

SHEET 1 OF 1	DATE	11/Jan/2022
--------------	------	-------------

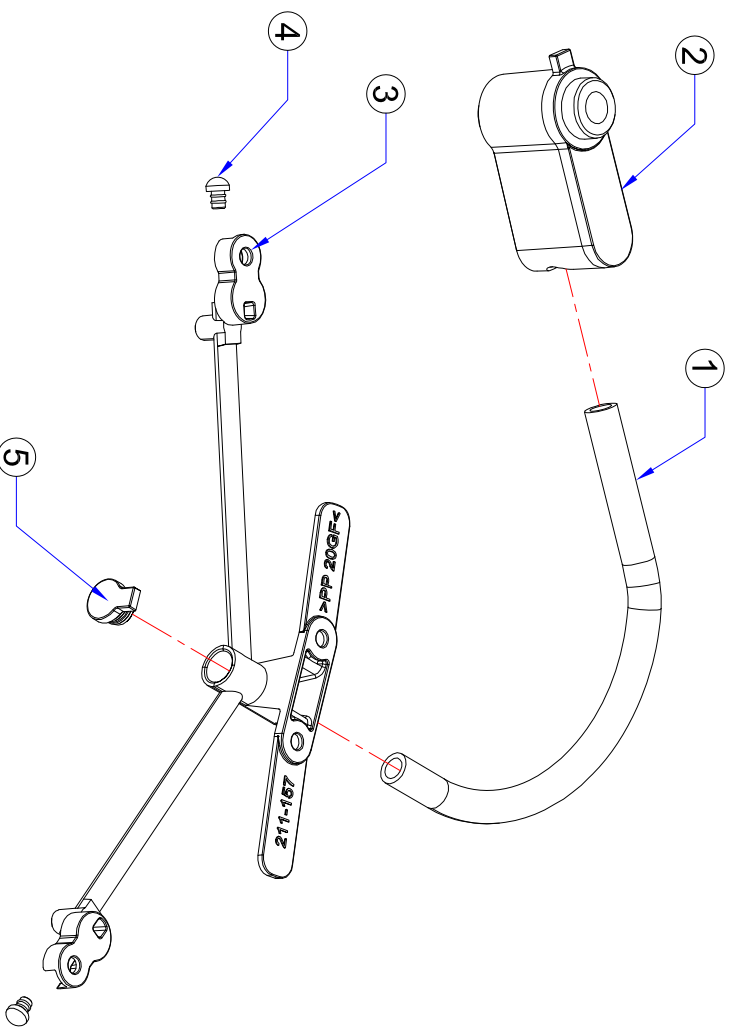
APPROVED	CHECKED	DISIGNED	REV	UNIT	PART NAME	IMOPUTE FCT WITH MOTOR W/O CHARGER & BATT BIG
		CONNIE	A	MM	PART NO	IMOPT.FCT.1100B2/1

SCALE	1:1	DRAWING NO	SIZE	A4
-------	-----	------------	------	----

SMT-FCT DONG GUAN  
 THE FRIENDLY FAMILY  
 东莞硕能塑胶模具有限公司  
 ASSEMBLY AND MOULDING OF CLEANING

REVISION	DESCRIPTION	REVISED BY	DATE
A	FIRST RELEASE	CONNIE	11/Jan/2022



Item	P/N	Description	Qty.
1	S.115.0020.357	ASSY DRIVE MODULE WATER DISTRIBUTOR	
1	115.0022.0	DRIVE MODULE HOSE EXTERNAL	1
2	115.0021.0A	DRIVE MODULE RUBBER COUPLING	1
3	115.0020.357D	DRIVE MODULE WATER DISTRIBUTOR GREY P431	1
4	115.0015.0B	DRIVE MODULE RUBBER END STOP	2
5	115.0014.0A	DRIVE MODULE RUBBER STOP	1

TOLERANCE UNSPECIFIED

LINE	ANGLE	REMARK:
XXX	±0.005	X ±2°
XX	±0.05	X ±1.5°
X	±0.1	X ±1°
.	±0.2	.XX ±1°
XX	±0.5	.XXX ±0.5°
	±1	

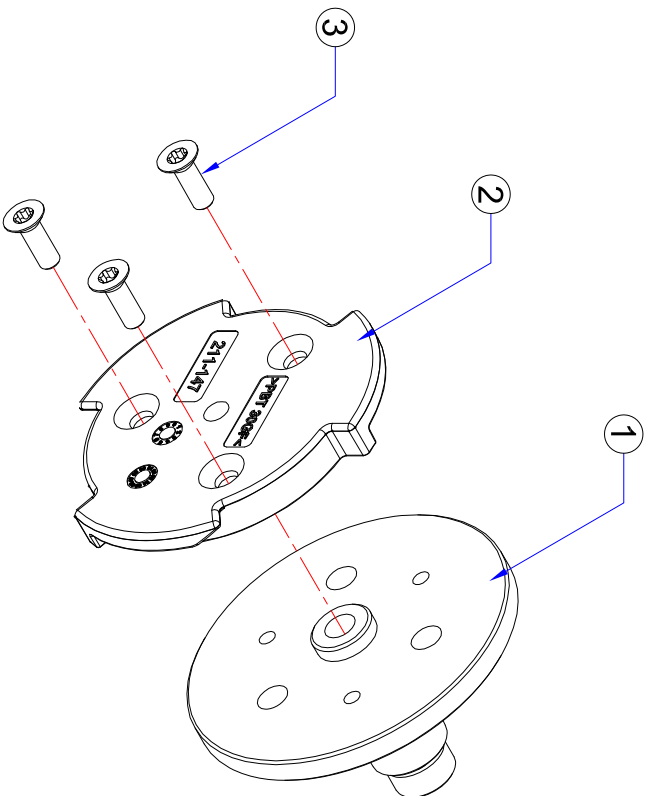
REMARK:  
 MATERIAL:  
 APPROVED CHECKED  
 DISIGNED  
 CONNIE  
 REV A  
 PART NAME  
 PART NO  
 IMOPLT.FCT.1100B2/1

SMT-FCT DONG GUAN  
 THE FRIENDLY FAMILY  
 东莞硕能塑胶模具有限公司  
 ASSEMBLY AND MOULDING OF CLEANING

SHEET 1 OF 1	DATE	11/Jan/2022	SCALE	1:1	DRAWING NO		SIZE	A4
--------------	------	-------------	-------	-----	------------	--	------	----



REVISION	DESCRIPTION	REVISED BY	DATE
A	FIRST RELEASE	CONNIE	11/Jan/2022



Item	P/N	Description	Qty.
1	S.115.0016.357A	ASSY BRUSH COUPLING CW GREY P431C	1
2	115.0018.0D	PULLEY AXIS CW	1
3	115.0016.357D	BRUSH COUPLING CW GREY P431C	1
3	115.0013.0	COUNTER SUNK BOLT M4X12	3

LINE	ANGLE	REMARK:
XXX	X	±2°
XX	X	±1.5°
X	XX	±1°
.	XXX	±0.5°
XX	±1	

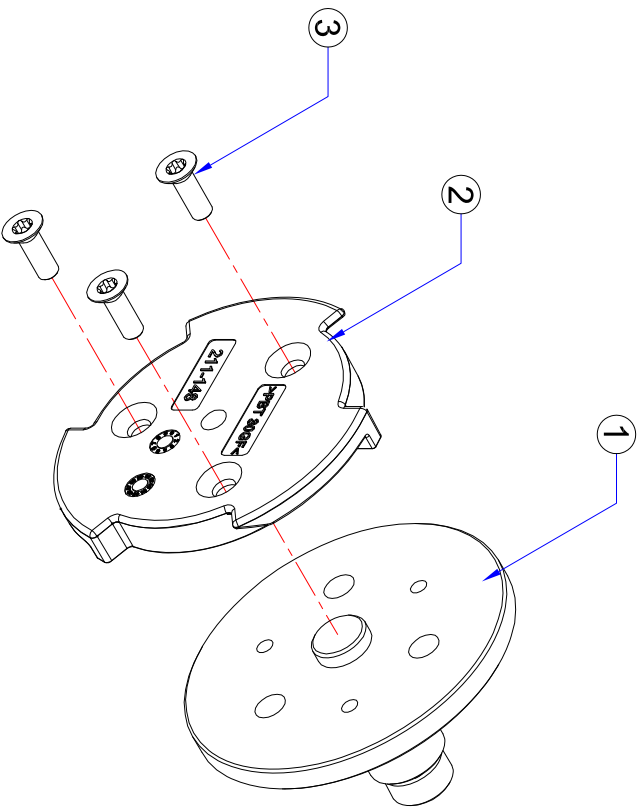
TOLERANCE UNSPECIFIED

APPROVED	CHECKED	DISIGNED	REV	UNIT	PART NAME	SCALE	DRAWING NO
		CONNIE	A	MM	IMOPUTE FCT WITH MOTOR W/O CHARGER & BATT BIG	1:1	11/Jan/2022

SHEET 1 OF 1

SMT-FCT DONG GUAN  
 THE FRIENDLY FAMILY  
 东莞硕能塑胶模具有限公司  
 ASSEMBLY AND MOULDING OF CLEANING

REVISION	DESCRIPTION	REVISED BY	DATE
A	FIRST RELEASE	CONNIE	11/Jan/2022

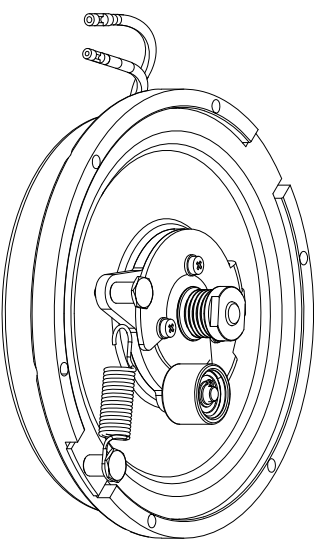
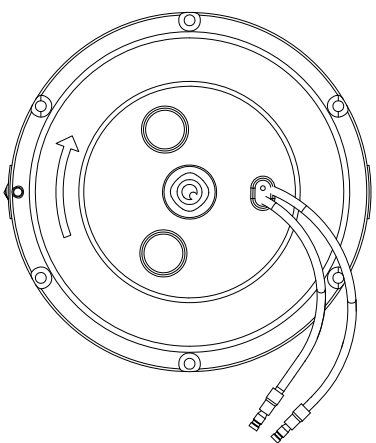
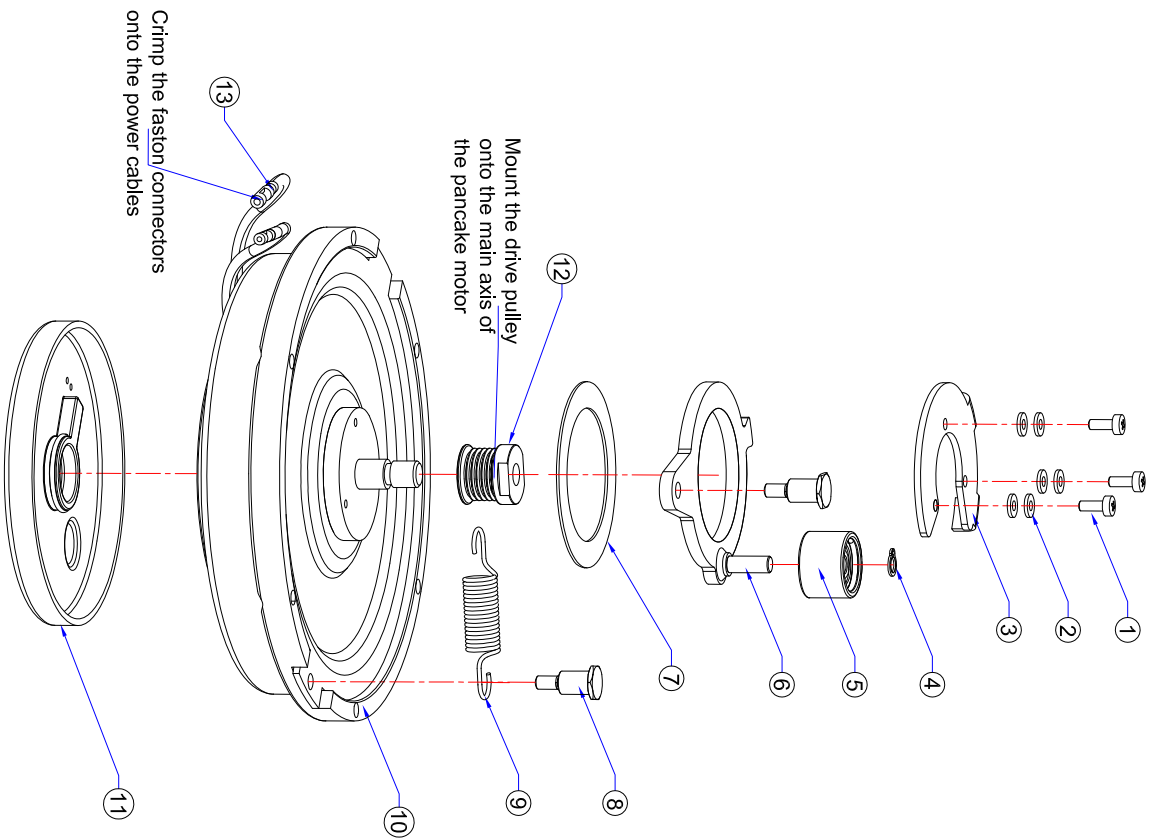


Item	P/N	Description	Qty.
1	S.115.0017.357A	ASSY BRUSH COUPLING CCW GREY P431C	1
2	115.0019.0D	PULLEY AXIS CW	1
3	115.0017.357D	BRUSH COUPLING CCW GREY P431C	1
3	115.0013.0	COUNTER SUNK BOLT M4X12	3

TOLERANCE UNSPECIFIED		REMARK:	
LINE	ANGLE	REVISION	DATE
XXX ±0.005	X ±2°		
XX ±0.05	X ±1.5°		
X ±0.1	.XX ±1°		
. ±0.2	.XXX ±0.5°		
XX ±0.5	±1		
±1			
MATERIAL:		APPROVED	CHECKED
DISIGNED		DATE	
SCALE		UNIT	DRAWING NO
1:1		MM	
DRAWING NO		REV	PART NAME
		A	IMOPUTE FCT WITH MOTOR
			W/O CHARGER & BATT BIG
			IMOPT.FCT.1100B2/1
			SIZE
			A4

SMT-FCT DONG GUAN  
 THE FRIENDLY FAMILY  
 东莞硕能塑胶模具有限公司  
 ASSEMBLY AND MOULDING OF CLEANING

REVISION	DESCRIPTION	REVISED BY	DATE
A	FIRST RELEASE	CONNIE	11/Jan/2022



Item	P/N	Description	Qty.
1	S.115.0000.0A	ASSY DRIVE MODULE MOTOR	3
2	24.0054.0	CYLINDER ROUND HEAD CAP SCREW M3 x 8 SUS304	6
3	115.0230.0A	M3 SPRING WASHER	1
4	115.0232.0	PULLEY TENSION FIXATION PLATE	1
5	S.115.0231.0A	SELF LOCKING RING ZA 5	1
6	115.0230.0B	IDLER COMPLETE TYP C	1
7	115.0234.0B	PULLEY TENSION COMPLETE	1
8	115.0235.0B	PULLEY TENSION BEARING	1
9	115.0232.0	PULLEY TENSION SPRING	1
10	115.0000.0K	TENSION SPRING	1
11	115.0241.797	DRIVE MODULE MOTOR	1
12	115.0001.0B	MOTOR SEAL RUBBER COVER BLUE	1
13	115.0174.0	DRIVE PULLEY	1
		FASTON ROUND CONNECTOR PLUG	2

TOLERANCE UNSPECIFIED

LINE	ANGLE	REMARK:
XXX	±0.005	X ±2°
XX	±0.05	X ±1.5°
X	±0.1	XX ±1°
·	±0.2	XX ±1°
XX	±0.5	XXX ±0.5°
±1		

REMARK:

ASSEMBLY AND MOULDING OF CLEANING

APPROVED	CHECKED	DISIGNED	REV	PART NAME	UNIT	SCALE	DRAWING NO	SIZE
		CONNIE	A	IMOPLT.FCT.1100B2/1	MM	1:1		A4

**SMT-FCT DONG GUAN**  
**THE FRIENDLY FAMILY**  
 东莞硕能塑胶模具有限公司

IMOPLT.FCT WITH MOTOR  
 W/O CHARGER & BAT BIG

SHEET 1 OF 1

DATE

11/Jan/2022

SCALE

1:1

DRAWING NO

SIZE

E

D

C

B

A

E

D

C

B

A

1

2

3

4

5

6

7

8

1

2

3

4

5

6

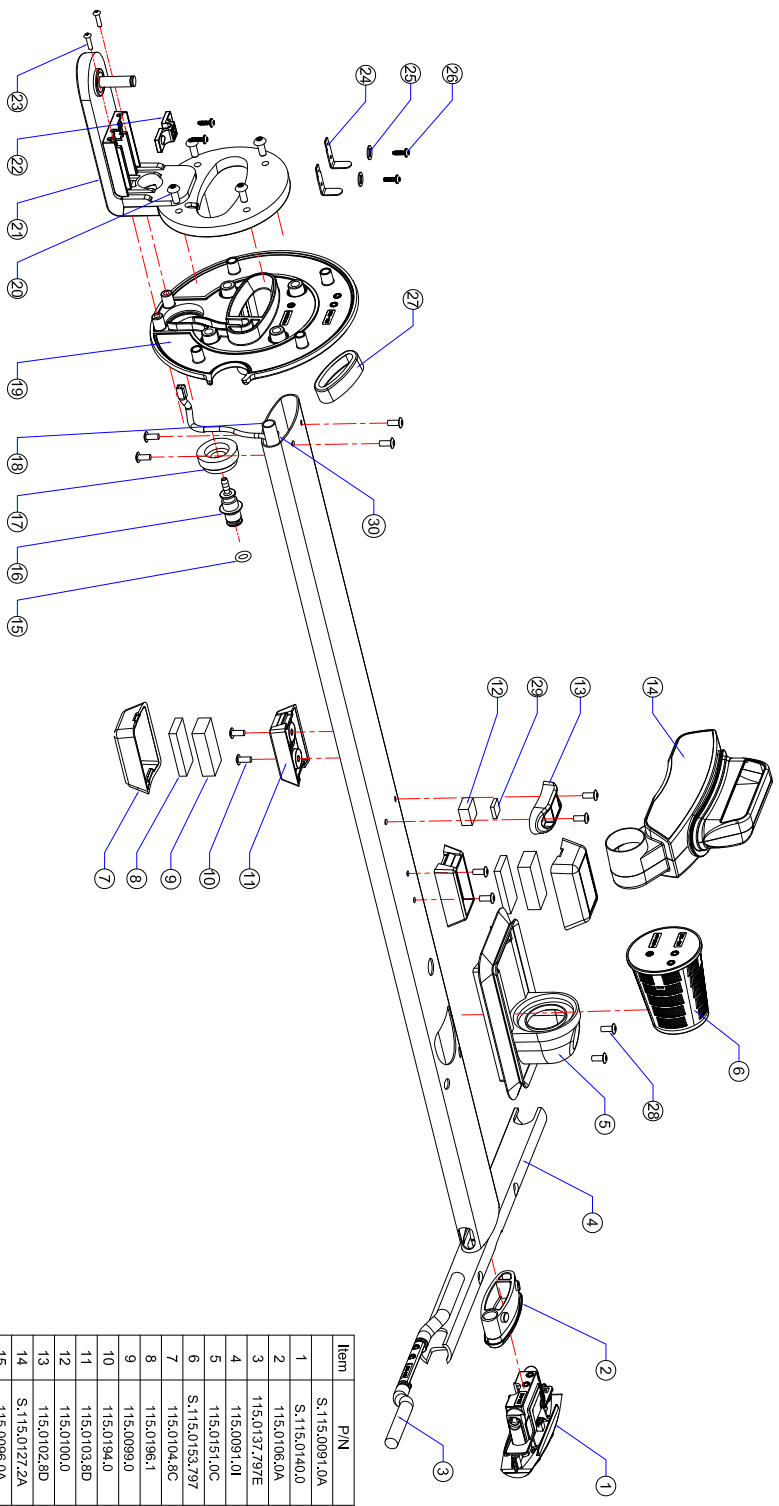
7

8

PAGE

10 / 30

REVISION	DESCRIPTION	REVISED BY	DATE
A	FIRST RELEASE	CONNIE	11/JAN/2022



Item	P/N	Description	Qty.
1	S.115.0091.0A	ASSY TUBE	1
1	S.115.0140.0	ASSY CONTROL UNIT PCB	1
2	115.0106.0A	TUBE RUBBER	1
3	115.0137.797E	CONTROL UNIT HANDLE	1
4	115.0091.0I	TUBE	1
5	115.0151.0C	FLOAT TOP SEAL	1
6	S.115.0153.797	ASSY HOLLOW BALL 38	1
7	115.0104.8C	TANK HOLDER COVER YELLOW	2
8	115.0196.1	EVA WASHER 40X20X1.5	2
9	115.0099.0	NEODYMIUM MAGNET BLOCK 40X20X10	2
10	115.0194.0	CLOSED RIVET 4X10	10
11	115.0103.8D	TANK HOLDER FIXATION YELLOW	1
12	115.0100.0	NEODYMIUM MAGNET BLOCK 15X15X8	1
13	115.0102.8D	HOSE CONNECTOR HOLDER FIXATION YELLOW	1
14	S.115.0127.2A	ASSY HOSE CONNECTOR HOLDER BOTTOM	1
15	115.0096.0A	O-RING 6X3	1
16	115.0110.0C	WATER CONNECTOR MALE PIN	1
17	115.0111.0B	WATER CONNECTOR MALE RUBBER	1
18	115.0105.0	CONTROL UNIT CABLE COMPLETE	1
19	115.0093.357H	TUBE MAIN ADAPTER GREY P431C	1
20	115.0095.0	CYLINDER ROUND HEAD CAP SCREW M3X12	4
21	S.115.0092.357G	HINGE BRACKET GREY P431C	1
22	115.0116.357B	HINGE BRACKET COVER GREY P431C	1
23	115.0099.0	CYLINDER HEAD CAP SCREW M3X12	2
24	115.0115.0A	VACUUM MOTOR ELECTRO CONTACT LARGER	2
25	115.0208.0	PA WASHER 3X8X1MM	2
26	115.0011.0	EJOT PT SCREW WN 5451 30X10	4
27	115.0242.357	TUBE MAIN ADAPTER SEAL GREY	1
28	115.0039.1	SCREW S13X20	2
29	115.0196.2	EVA WASHER 15X15X1.5MM	2
30	115.0113.2	CONTROL CABLE TUBE	1

TOLERANCE UNSPECIFIED

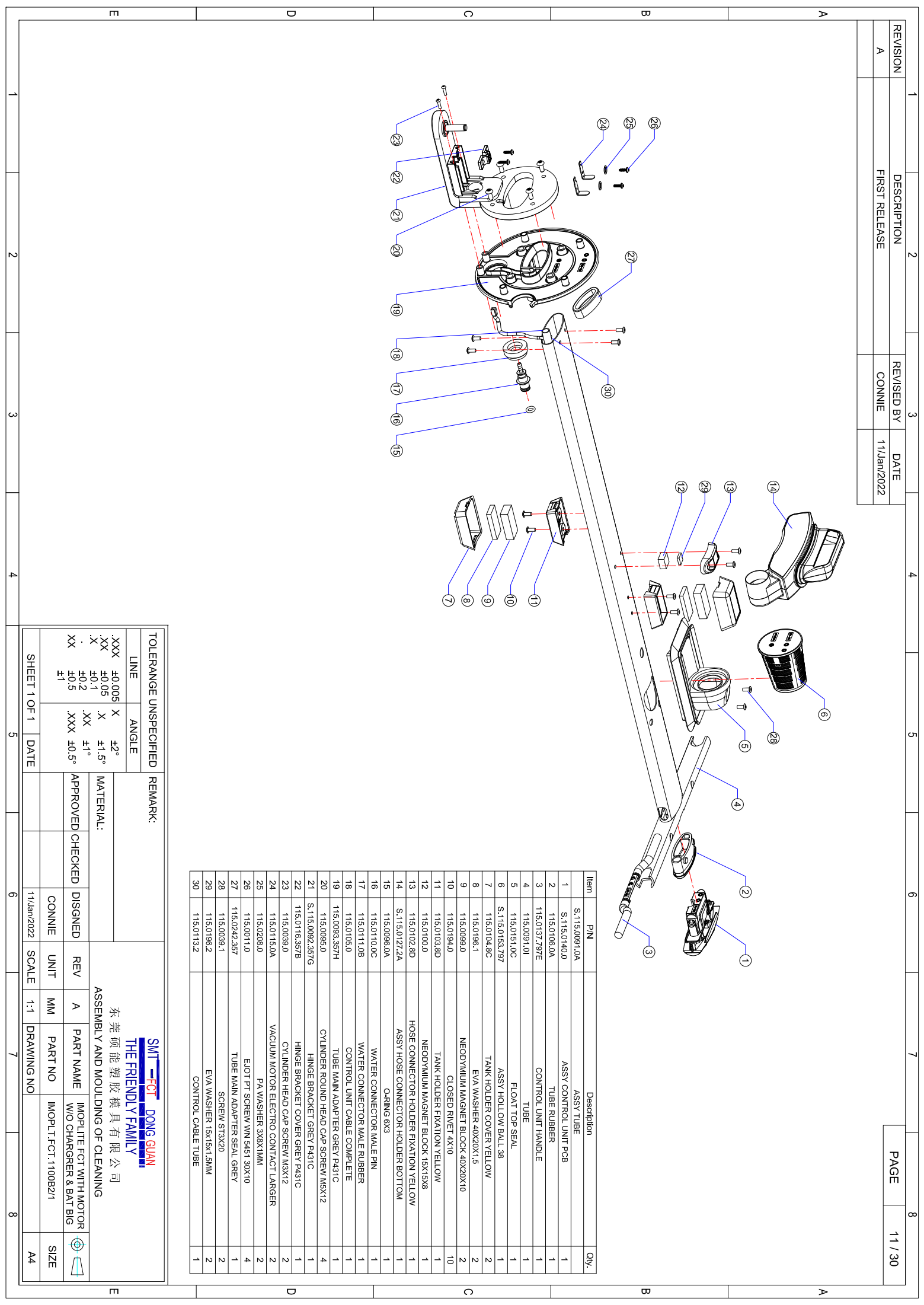
REMARK:

LINE	ANGLE	REMARK:
XXX	±2°	
XX	±1.5°	
X	±1°	
.X	±0.5°	
.XX	±1°	
.X	±0.5°	
XX	±1°	
.XX	±0.5°	
±1		

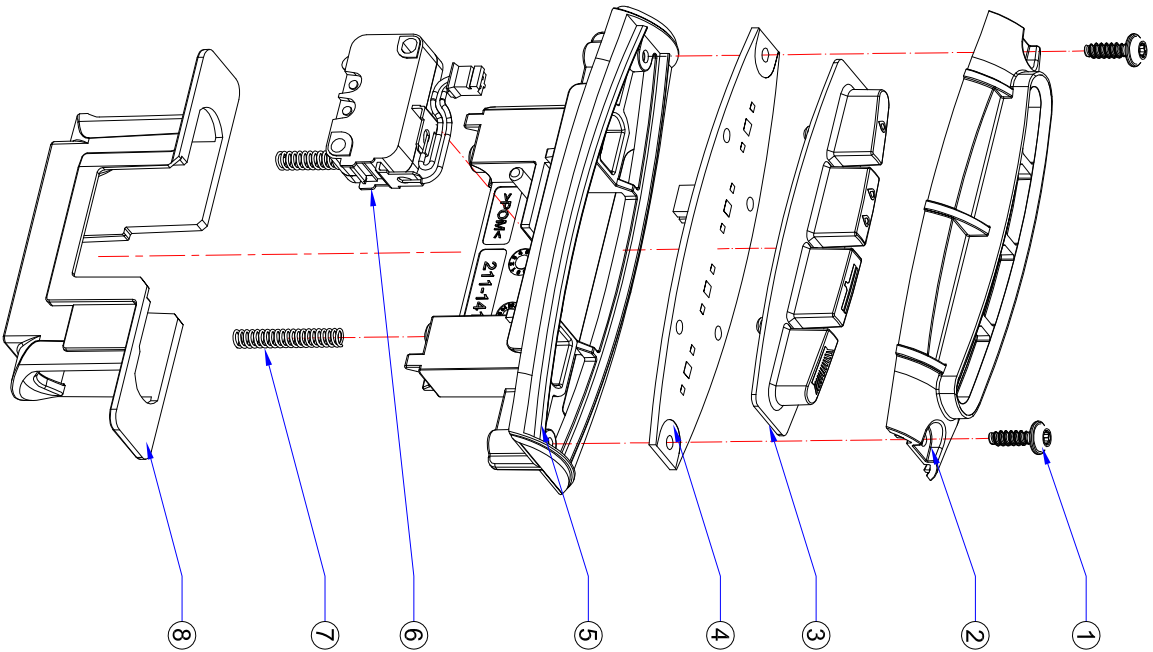
MATERIAL:	APPROVED	CHECKED	DESIGNED	REV	A	PART NAME	IMOPLETE FCT WITH MOTOR W/O CHARGER & BAT BIG	SIZE
	CONNIE		CONNIE	UNIT	MM	PART NO	IMOPLT.FCT.1100B2/1	A4
SHEET 1 OF 1	DATE	11/JAN/2022	SCALE	1:1	DRAWING NO			

ASSEMBLY AND MOULDING OF CLEANING

**SMT-FCT DONG GUAN**  
**THE FRIENDLY FAMILY**  
 东莞硕能塑胶模具有限公司



REVISION	DESCRIPTION	REVISED BY	DATE
A	FIRST RELEASE	CONNIE	11/Jan/2022



Item	P/N	Description	Qty.
1	S.115.0140.0	ASSY CONTROL UNIT PCB	
1	115.0011.0	EJOT PT SCREW WN 5451 30X10	2
2	115.0134.2B	CONTROL UNIT KEY PAD FRAME WHITE	1
3	115.0138.0B	CONTROL UNIT KEY PAD	1
4	115.0135.0B	CONTROL UNIT PCB	1
5	115.0136.0E	CONTROL UNIT PCB FRAME	1
6	S.115.0139.0	ASSY CONTROL UNIT POWER SWITCH	1
7	115.0133.0	COMPRESSION SPRING 2.7X3.7X23.5	2
8	115.0140.0G	CONTROL UNIT HANDLE FRAME	1

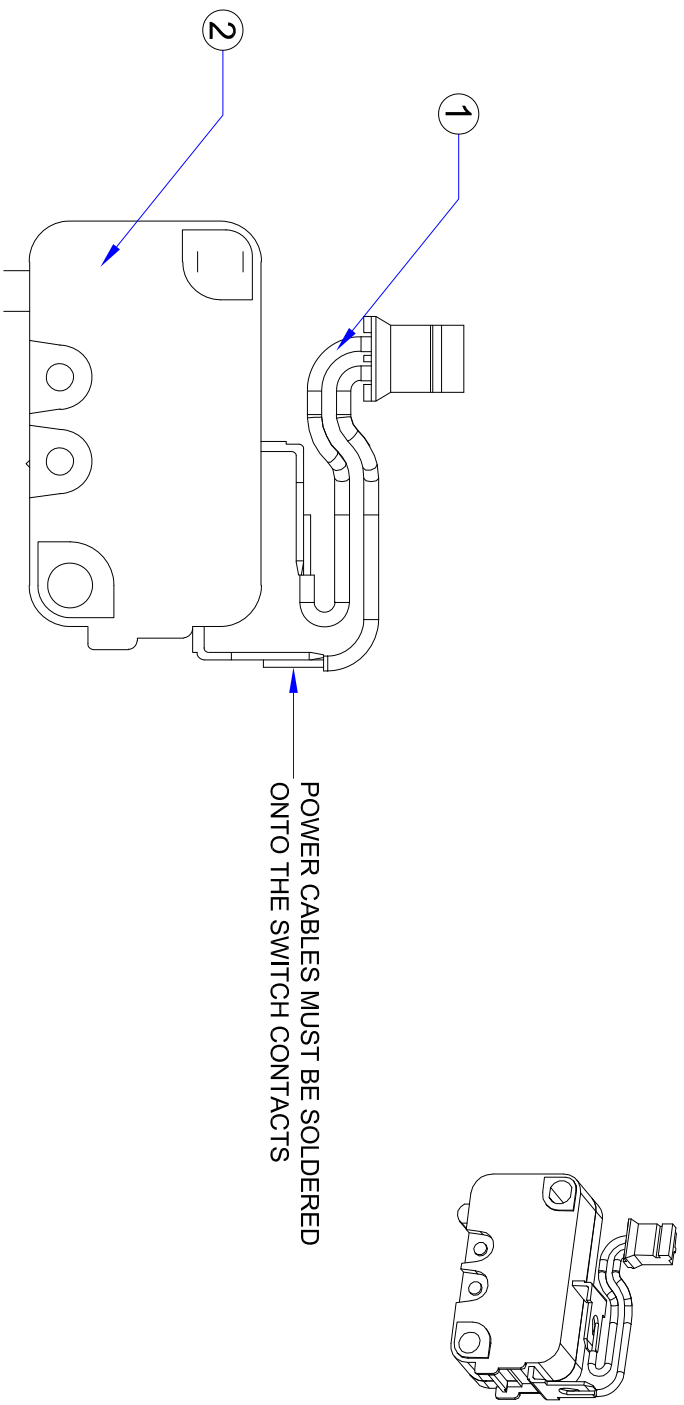
TOLERANCE UNSPECIFIED		REMARK:	
LINE	ANGLE		
XXX	±0.005	X	±2°
XX	±0.05	X	±1.5°
X	±0.1	.XX	±1°
.	±0.2	.XXX	±0.5°
XX	±0.5	±1	

SHEET 1 OF 1	DATE	APPROVED	CHECKED	DISIGNED	REV	UNIT	PART NAME	SCALE	DRAWING NO	SIZE
	11/Jan/2022			CONNIE	A	MM	IMOPUTE FCT WITH MOTOR W/O CHARGER & BAT BIG	1:1		A4

东莞硕能塑胶模具有限公司
   
 ASSEMBLY AND MOULDING OF CLEANING

REVISION	DESCRIPTION	REVISED BY	DATE
A	FIRST RELEASE	CONNIE	11/Jan/2022



POWER CABLES MUST BE SOLDERED ONTO THE SWITCH CONTACTS

Item	P/N	Description	Qty.
1	S.115.0139.0	ASSY CONTROL UNIT POWER SWITCH	
1	115.0139.0	CONTROL UNIT POWER SWITCH	1
2	72.0060.2	POWER SWITCH CONTROL UNIT OMORON	1

**TOLERANCE UNSPECIFIED**

LINE	ANGLE	REMARK:
XXX	±0.005	X ±2°
XX	±0.05	X ±1.5°
X	±0.1	.XX ±1°
.	±0.2	.XX ±0.5°
XX	±0.5	.XXX ±0.5°
	±1	

**REMARK:**

MATERIAL:

APPROVED CHECKED DISIGNED

CONNIE

SCALE 1:1

DRAWING NO

DATE 11/Jan/2022

UNIT MM

REV A

PART NAME

PART NO

IMOPUTE FCT WITH MOTOR W/O CHARGER & BAT BIG

IMOPT.FCT.1100B2/1

SIZE

ASSEMBLY AND MOULDING OF CLEANING

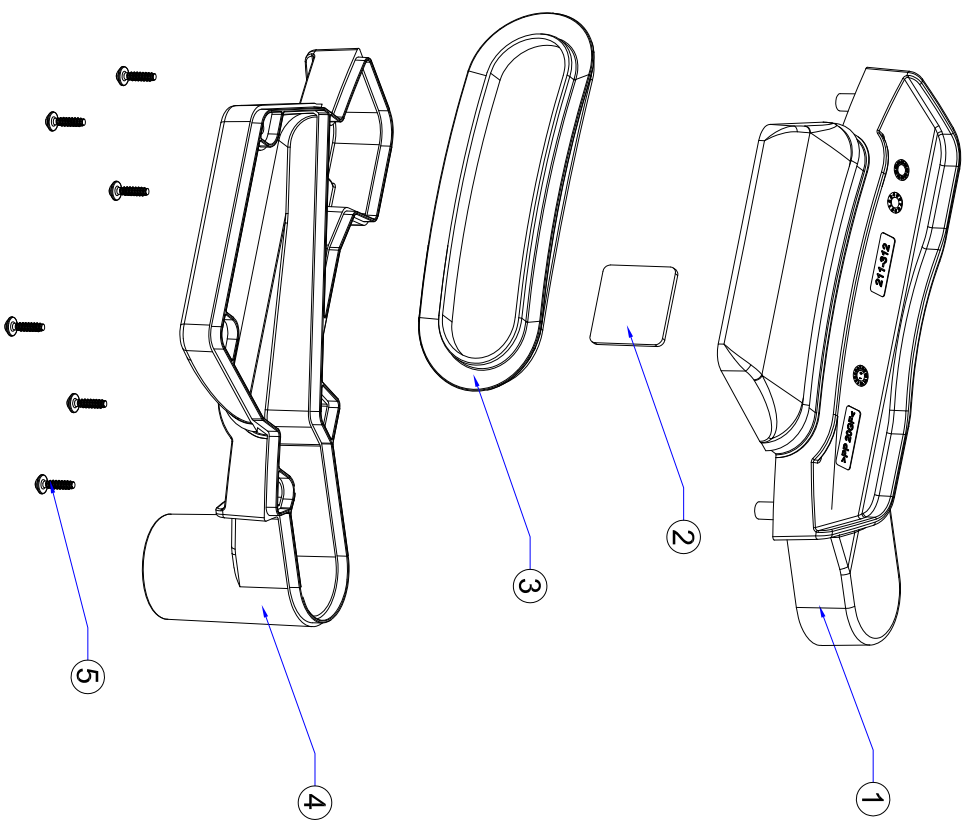
东莞硕能塑胶模具有限公司

THE FRIENDLY FAMILY

SMT-FCT DONG GUAN

SHEET 1 OF 1

REVISION	DESCRIPTION	REVISED BY	DATE
A	FIRST RELEASE	CONNIE	11/Jan/2022



Item	P/N	Description	Qty.
1	S.115.0127.2A	ASSY HOSE CONNECTOR HOLDER BOTTOM	1
2	115.0246.2	HOSE CONNECTOR HOLDER TOP	1
3	115.0132.0B	HOSE CONNECTOR HOLDER PLATE	1
4	115.0247.2	HOSE CONNECTOR HOLDER SEAL	1
5	115.0011.0	HOSE CONNECTOR HOLDER BOTTOM	1
		EJOT PT SCREW WN 5451 30X10	6

TOLERANCE UNSPECIFIED		REMARK:	
LINE	ANGLE	REV	SCALE
XXX ±0.005	X ±2°	A	1:1
XX ±0.05	X ±1.5°	MM	DRAWING NO
X ±0.1	XX ±1°		
. ±0.2	XXX ±0.5°		
XX ±0.5	±1		
SHEET 1 OF 1		DATE	
		11/Jan/2022	

SMT-FOT DONG GUAN THE FRIENDLY FAMILY

东莞硕能塑胶模具有限公司

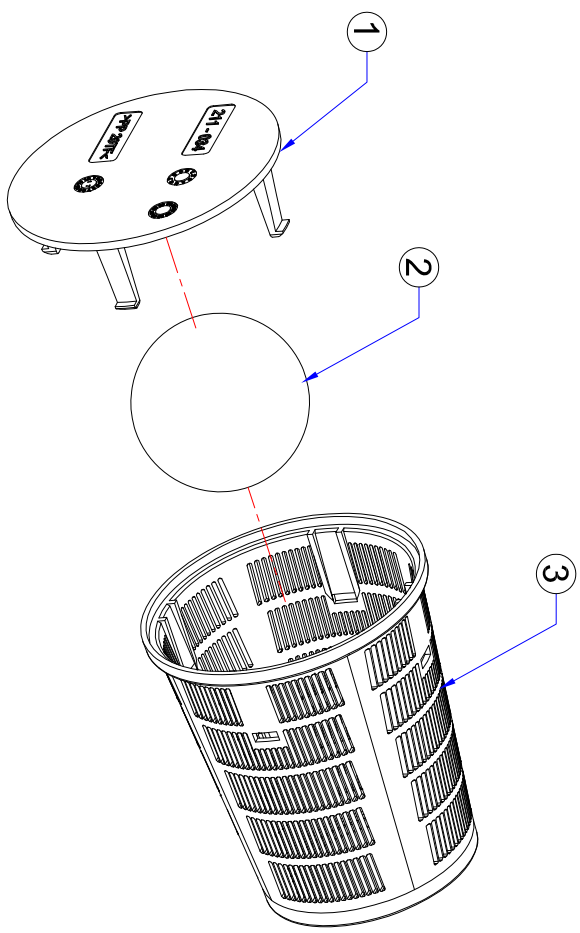
ASSEMBLY AND MOULDING OF CLEANING

IMOPUTE FCT WITH MOTOR W/O CHARGER & BAT BIG

IMOPL T.FCT.1100B2/1

SIZE A4

REVISION	DESCRIPTION	REVISED BY	DATE
A	FIRST RELEASE	CONNIE	11/Jan/2022



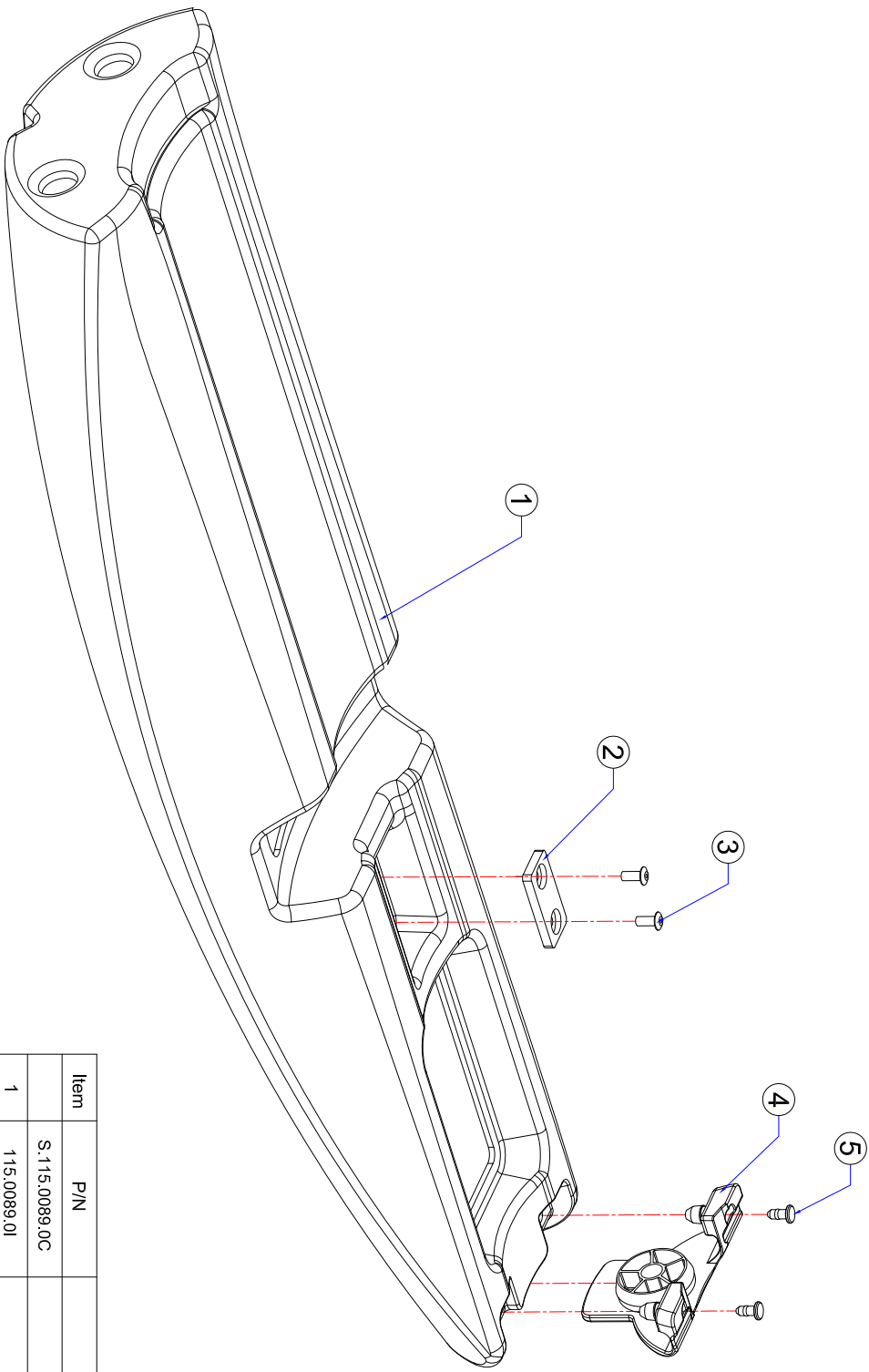
Item	P/N	Description	Qty.
	S.115.0153.797	ASSY HOLLOW BALL 38	
1	115.0152.797A	TOP UNIT FLOAT BOTTOM BLUE P312C	1
2	115.0153.2	WHITE HOLLOW BALL 38	1
3	115.0154.797A	BLUE P312C TOP UNIT FLOAT HOUSING	1

TOLERANCE UNSPECIFIED		REMARK:	
LINE	ANGLE	REVISION	DATE
XXX ±0.005	X ±2°		
XX ±0.05	X ±1.5°		
X ±0.1	.XX ±1°		
. ±0.2	.XXX ±0.5°		
XX ±0.5	±1		
MATERIAL:		APPROVED	CHECKED
DISIGNED		CONNIE	
REV		UNIT	SCALE
A		MM	1:1
PART NAME		DRAWING NO	
IMOPUTE FCT WITH MOTOR		IMOPT.FCT.1100B2/1	
W/O CHARGER & BAT BIG		SIZE	
		A4	

**THE FRIENDLY FAMILY**
  
 东莞硕能塑胶模具有限公司
   
 ASSEMBLY AND MOULDING OF CLEANING



REVISION	DESCRIPTION	REVISED BY	DATE
A	FIRST RELEASE	CONNIE	11/Jan/2022



Item	P/N	Description	Qty.
1	S.115.0089.0C	ASSY VACUUM TANK + PRINT	
1	115.0089.0I	VACUUM TANK + PRINT	1
2	115.0080.0C	TANK HOLDER PLATE	1
3	115.0194.0	CLOSED RIVET 4X10	2
4	115.0090.0D	VACUUM TANK OPENING COVER	1
5	115.0181.0A	PRESS STUD	2

LINE	ANGLE
XXX	±2°
XX	±1.5°
X	±1°
.	±0.5°
XX	±1°
XX	±0.5°
XX	±1°

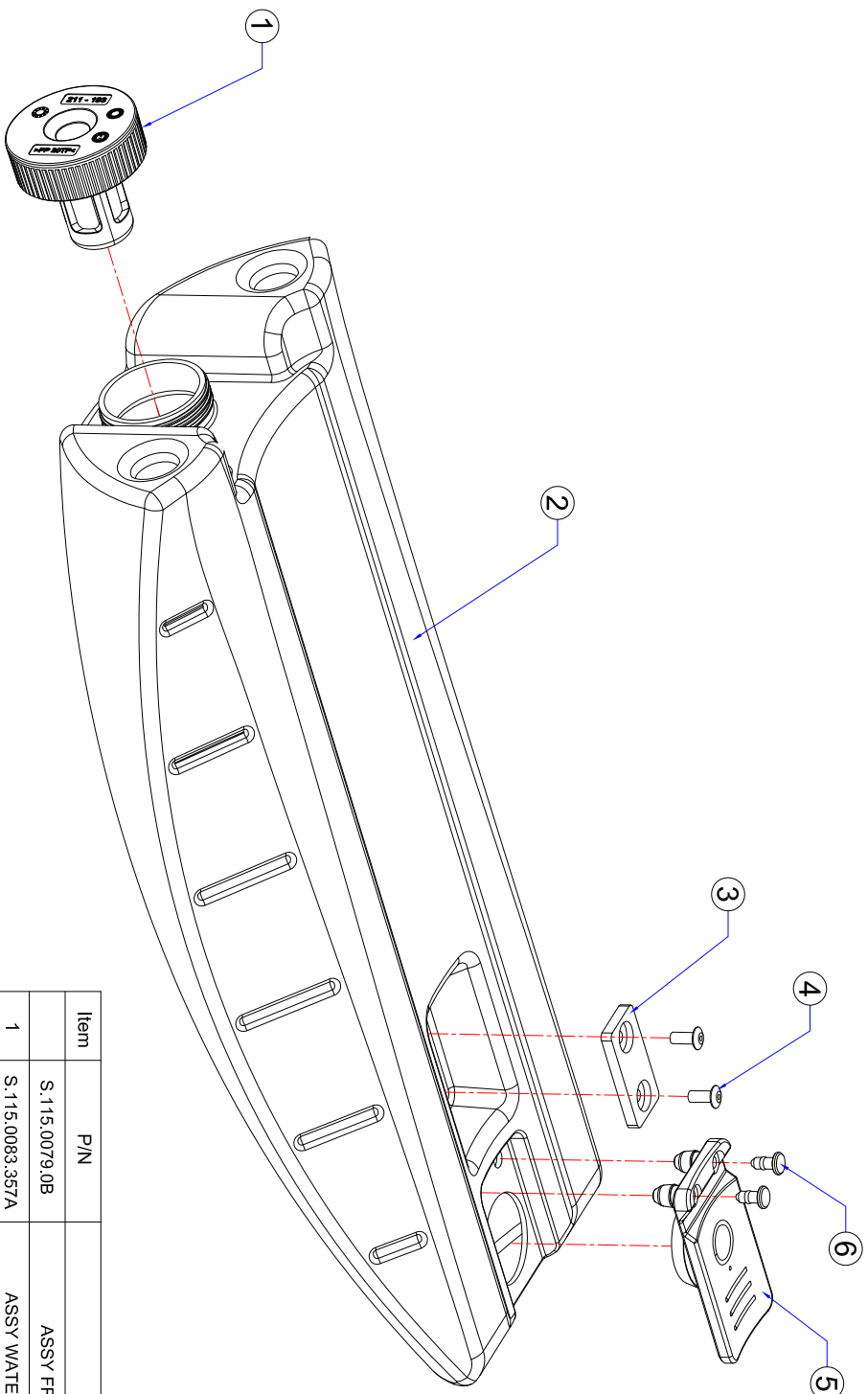
TOLERANCE UNSPECIFIED  
REMARK:

ASSEMBLY AND MOLDING OF CLEANING

**SMT-FCT DONG GUAN**  
**THE FRIENDLY FAMILY**  
东莞硕能塑胶模具有限公司

APPROVED	CHECKED	DISIGNED	REV	PART NAME	IMOPUTE FCT WITH MOTOR W/O CHARGER & BAT BIG	SIZE
CONNIE	CONNIE	CONNIE	A	PART NO	IMOPT.FCT.1100B2/1	A4
DATE	DATE	DATE	SCALE	DRAWING NO		
11/Jan/2022			1:1			

REVISION	DESCRIPTION	REVISED BY	DATE
A	FIRST RELEASE	CONNIE	11/Jan/2022



Item	P/N	Description	Qty.
1	S.115.0079.0B	ASSY FRESH WATER TANK + PRINT	1
1	S.115.0083.357A	ASSY FRESH WATER CONNECTOR FEMALE FILTER	1
2	115.0079.0L	FRESH WATER TANK + PRINT	1
3	115.0080.0C	TANK HOLDER PLATE	1
4	115.0194.0	CLOSED RIVET 4X10	2
5	115.0081.0D	FRESH WATER TANK OPENING COVER	1
6	115.0181.0A	PRESS STUD	2

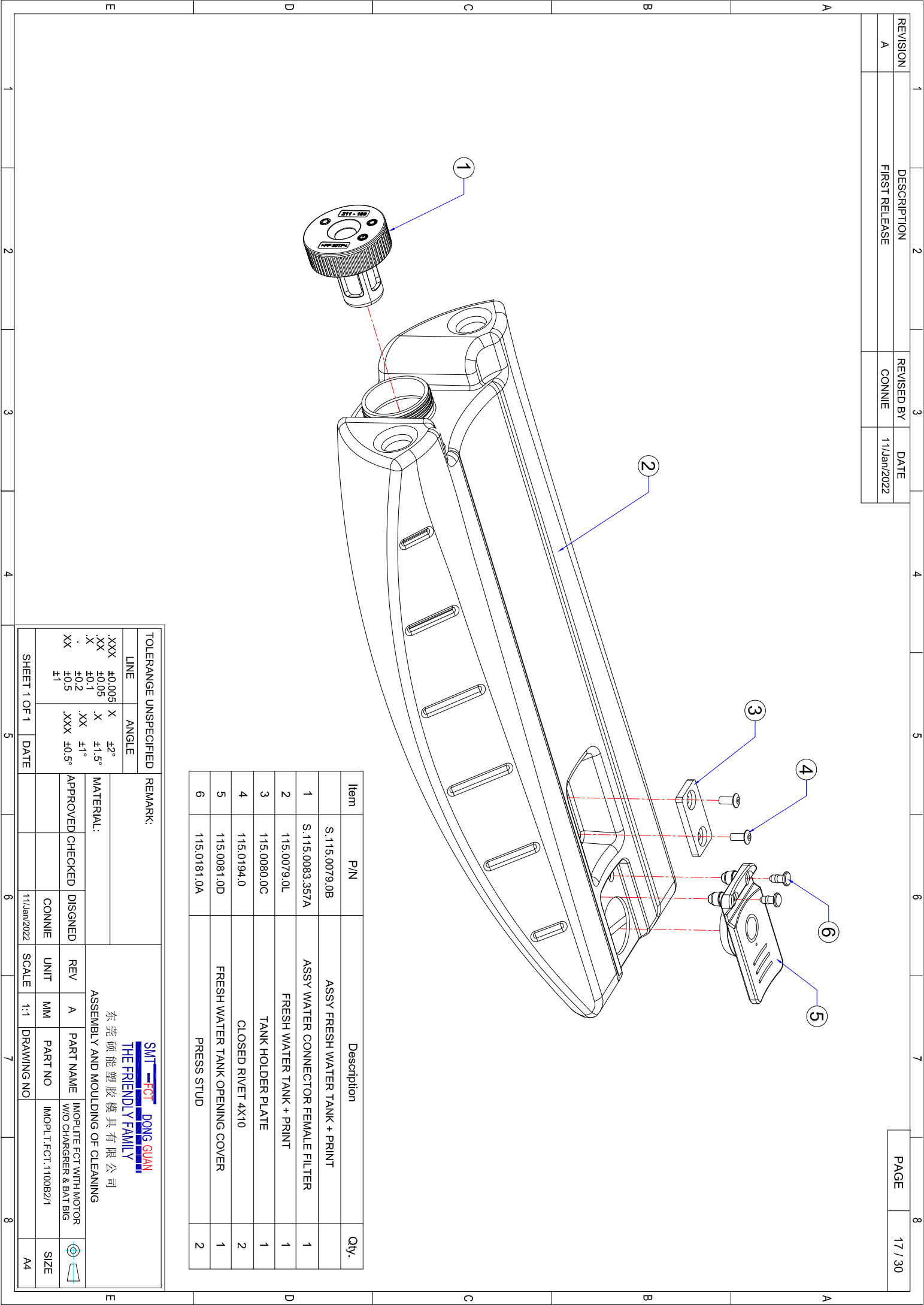
TOLERANCE UNSPECIFIED

LINE	ANGLE	REMARK:
XXX	±0.005	X ±2°
XX	±0.05	X ±1.5°
X	±0.1	X ±1°
.	±0.2	XX ±1°
XX	±0.5	XXX ±0.5°
	±1	

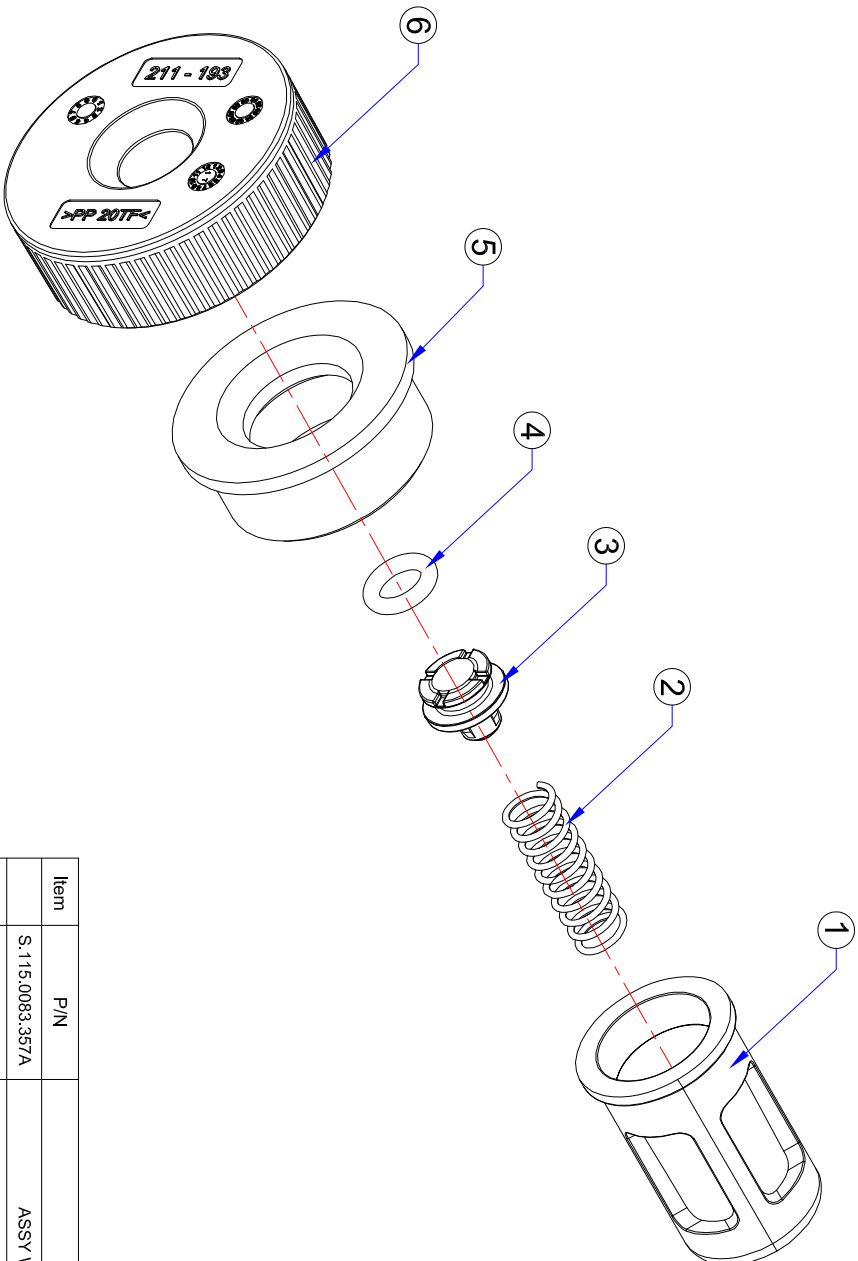
SHEET 1 OF 1		DATE	11/Jan/2022	
APPROVED	CHECKED	DISIGNED	UNIT	SCALE
		CONNIE	MM	1:1
DRAWING NO		PART NO		SIZE
		IMOPLT.FCT.1100B2/1		A4

**SMT-FCT DONG GUAN**  
**THE FRIENDLY FAMILY**  
 东莞硕能塑胶模具有限公司  
 ASSEMBLY AND MOULDING OF CLEANING

IMOPLT FCT WITH MOTOR  
 W/O CHARGER & BAT BIG



REVISION	DESCRIPTION	REVISED BY	DATE
A	FIRST RELEASE	CONNIE	11/Jan/2022



Item	P/N	Description	Qty.
1	S.115.0083.357A	ASSY WATER CONNECTOR FEMALE FILTER	
	115.0083.357D	WATER CONNECTOR FEMALE FILTER GREY P431	1
2	115.0086.0	COMPRESSION SPRING 7X9X28.5	1
3	115.0087.0B	WATER CONNECTOR FEMALE VALVE	1
4	115.0210.0	O-RING 7X2.5	1
5	115.0088.0B	WATER CONNECTOR FEMALE RUBBER	1
6	115.0086.2D	WATER CONNECTOR FEMALE CAP WHITE	1

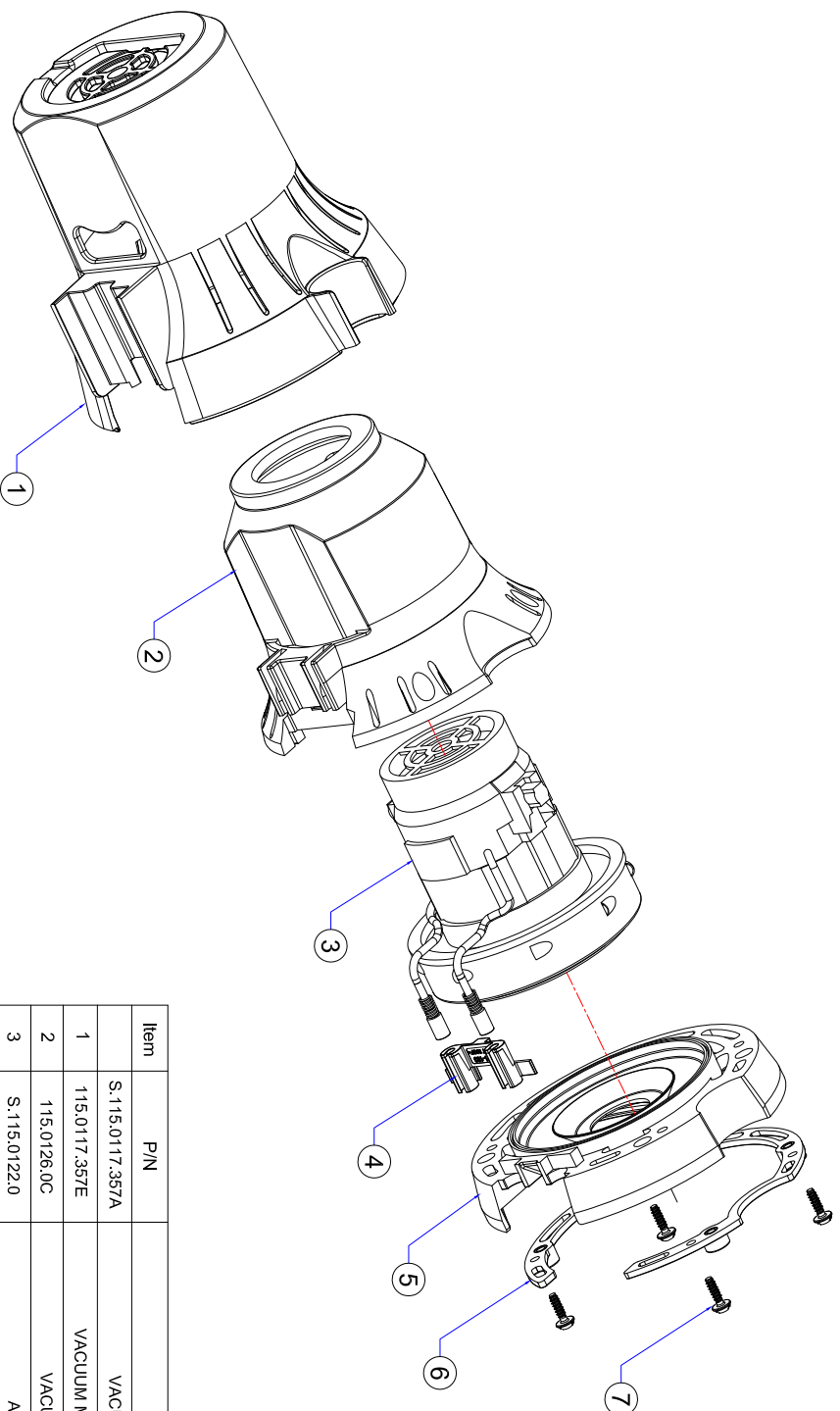
TOLERANCE UNSPECIFIED

LINE	ANGLE	REMARK:
XXX	±0.005	X ±2°
XX	±0.05	X ±1.5°
X	±0.1	X ±1°
.	±0.2	XX ±0.5°
XX	±0.5	XXX ±0.5°
	±1	

SHEET 1 OF 1		DATE	11/Jan/2022	
APPROVED		CHECKED	DISIGNED	CONNIE
REV	A	PART NAME	IMOPUTE FCT WITH MOTOR W/O CHARGER & BAT BIG	
UNIT	MM	PART NO	IMOPT.FCT.1100B2/1	
SCALE	1:1	DRAWING NO		
SIZE		A4		

**SMT-FCT DONG GUAN**  
**THE FRIENDLY FAMILY**  
 东莞硕能塑胶模具有限公司  
 ASSEMBLY AND MOULDING OF CLEANING

REVISION	DESCRIPTION	REVISED BY	DATE
A	FIRST RELEASE	CONNIE	11/Jan/2022



Item	P/N	Description	Qty.
1	S.115.0117.357A	VACUUM MOTOR HOISING BOTTOM	1
2	115.0117.357E	VACUUM MOTOR HOISING BOTTOM GREY P431	1
3	115.0126.0C	VACUUM MOTOR BOTTOM RUBBER	1
4	S.115.0122.0	ASSY VACUUM MOTOR J24V200W	1
5	115.0124.0B	VACUUM MOTOR ELECTRO CONTACT BLOCK	1
6	115.0126.0B	VACUUM MOTOR TOP RUBBER	1
7	115.0119.357B	VACUUM MOTOR BRACKET GREY P431C	1
7	115.0120.0	EJOT PT SCREW WN 5451 40X14	4

TOLERANCE UNSPECIFIED REMARK:

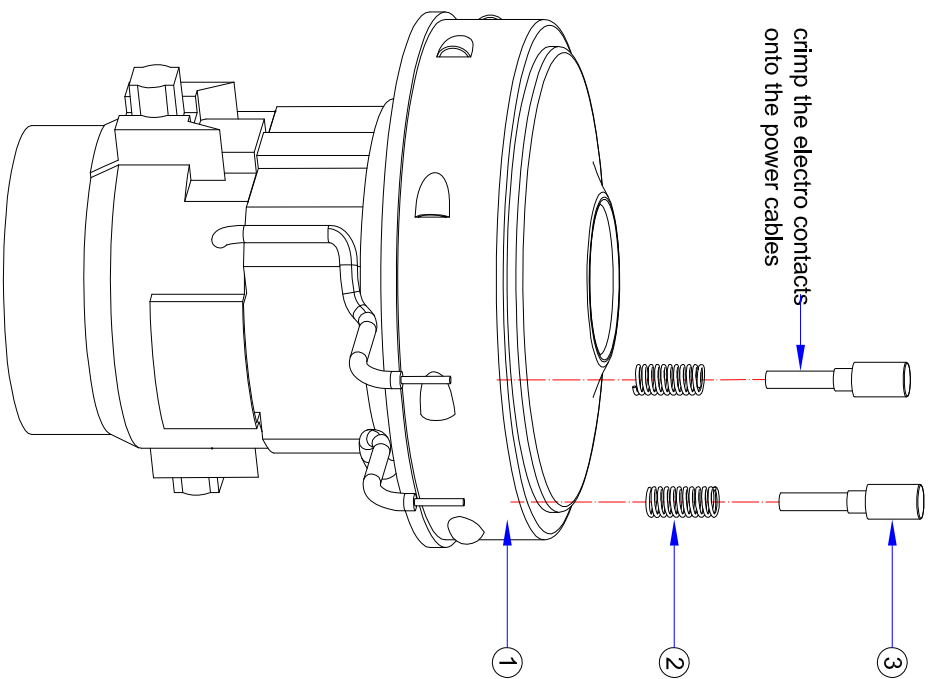
LINE	ANGLE	REMARK:
XXX	±0.005	X ±2°
XX	±0.05	X ±1.5°
X	±0.1	X ±1°
.	±0.2	.XX ±1°
XX	±0.5	.XXX ±0.5°
	±1	

SHEET 1 OF 1	DATE

SMIT-FOT DONG GUAN  
THE FRIENDLY FAMILY  
东莞硕能塑胶模具有限公司  
ASSEMBLY AND MOULDING OF CLEANING

APPROVED	CHECKED	DISIGNED	REV	PART NAME	IMOPUTE FCT WITH MOTOR W/O CHARGER & BAT BIG	SIZE
CONNIE			A			A4
			UNIT	PART NO	IMOPT.FCT.1100B2/1	
			SCALE	DRAWING NO		
			1:1			

REVISION	DESCRIPTION	REVISED BY	DATE
A	FIRST RELEASE	CONNIE	11/Jan/2022



Item	P/N	Description	Qty.
1	S.115.0122.0	ASSY VACUUM MOTOR J24V200W	
1	115.0122.0B	VACUUM MOTOR J24V200W	1
2	115.0121.0	COMPRESSION SPRING 4.8X6.2X14	2
3	115.0123.0B	VACUUM MOTOR ELECTRO CONTACT SMALL	2

TOLERANCE UNSPECIFIED		REMARK:	
LINE	ANGLE	ANGLE	
XXX	±0.005	X	±2°
XX	±0.05	X	±1.5°
X	±0.1	X	±1°
.	±0.2	XX	±1°
XX	±0.5	XXX	±0.5°
	±1		

SHEET 1 OF 1	DATE	11/Jan/2022	SCALE	1:1	DRAWING NO		SIZE	A4
--------------	------	-------------	-------	-----	------------	--	------	----

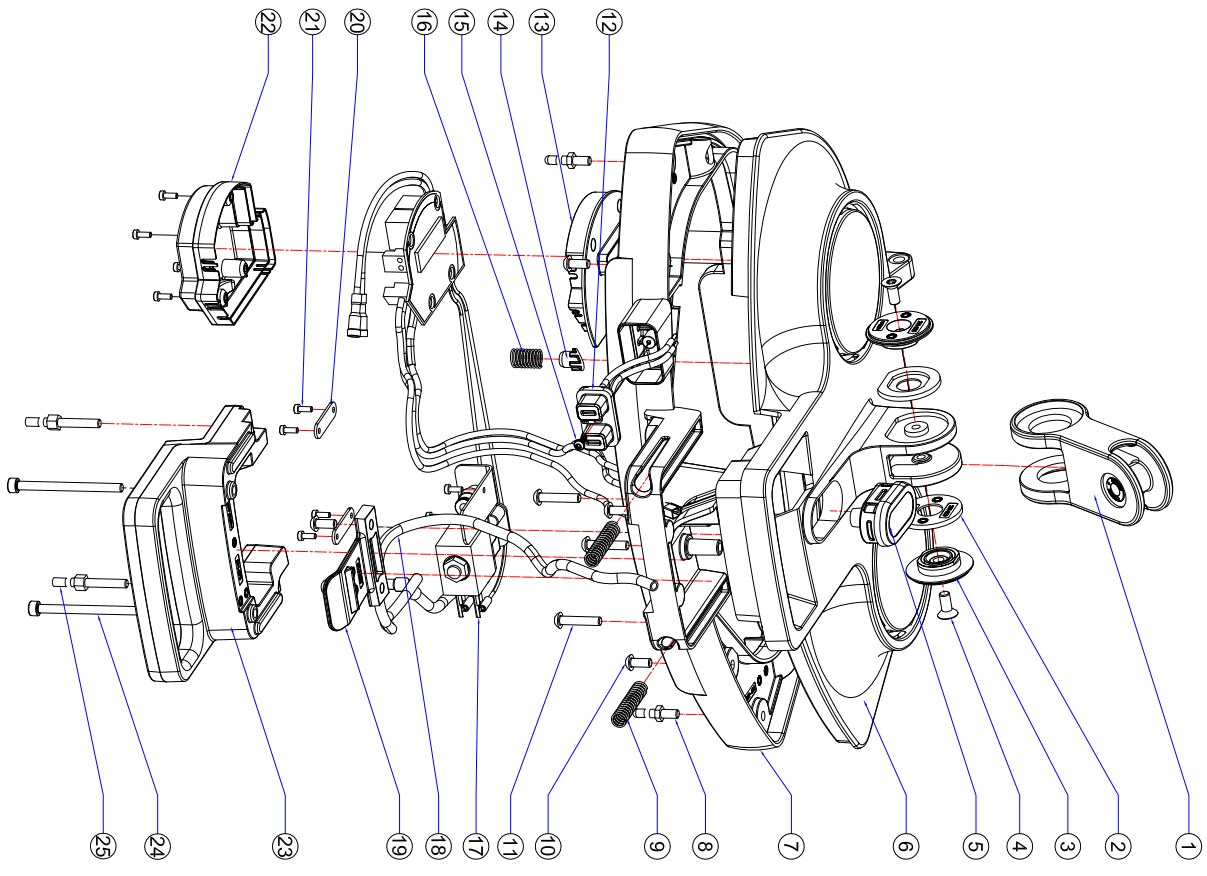
APPROVED	CHECKED	DISIGNED	REV	A	PART NAME	IMOPUTE FCT WITH MOTOR W/O CHARGRGR & BAT BIG
		CONNIE	UNIT	MM	PART NO	IMOPT.FCT.1100B2/1

ASSEMBLY AND MOULDING OF CLEANING

东莞硕能塑胶模具有限公司  
**THE FRIENDLY FAMILY**  
**SMT-FCT DONG GUAN**

IMOPUTE FCT WITH MOTOR W/O CHARGRGR & BAT BIG

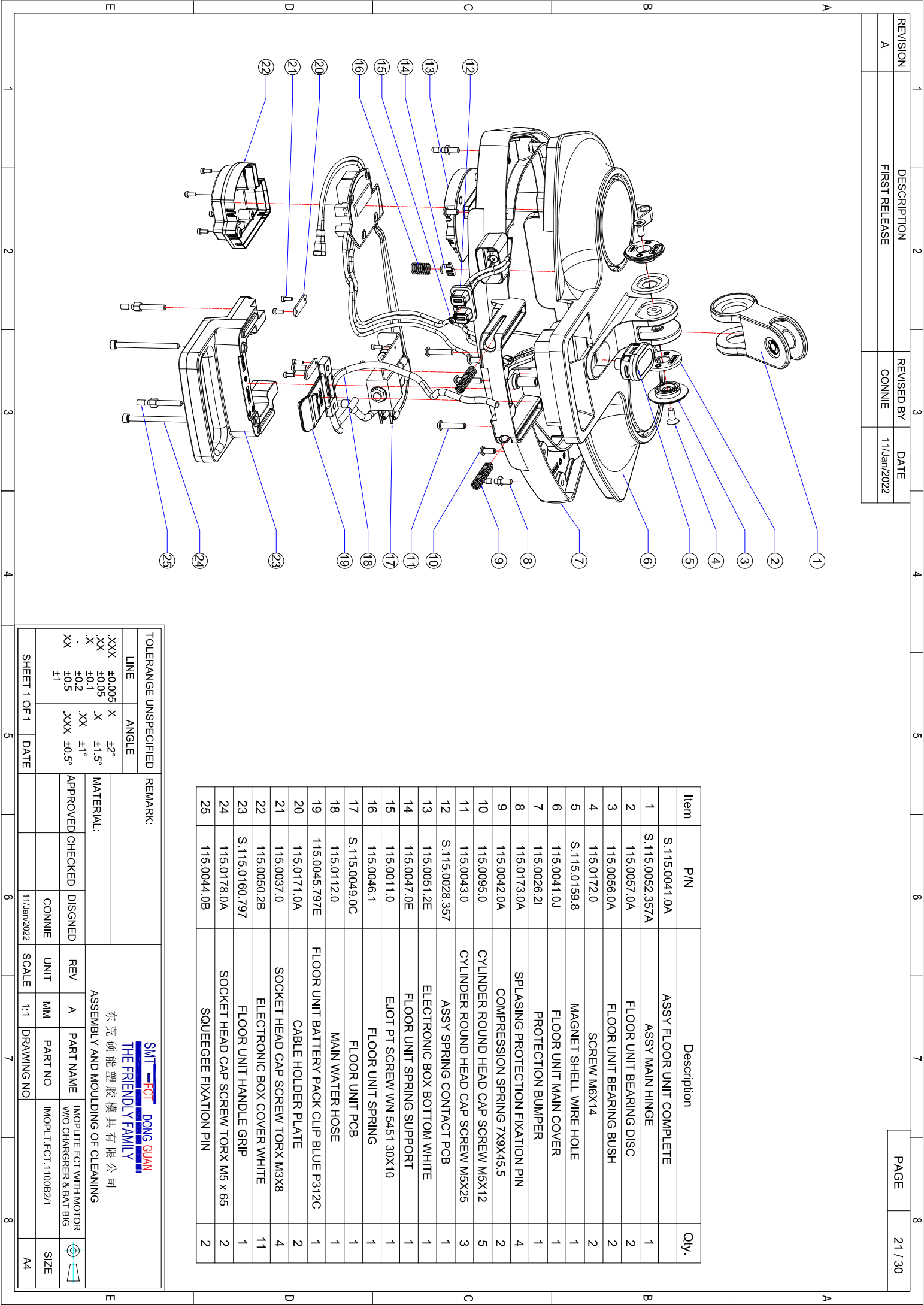
REVISION	DESCRIPTION	REVISED BY	DATE
A	FIRST RELEASE	CONNIE	11/Jan/2022



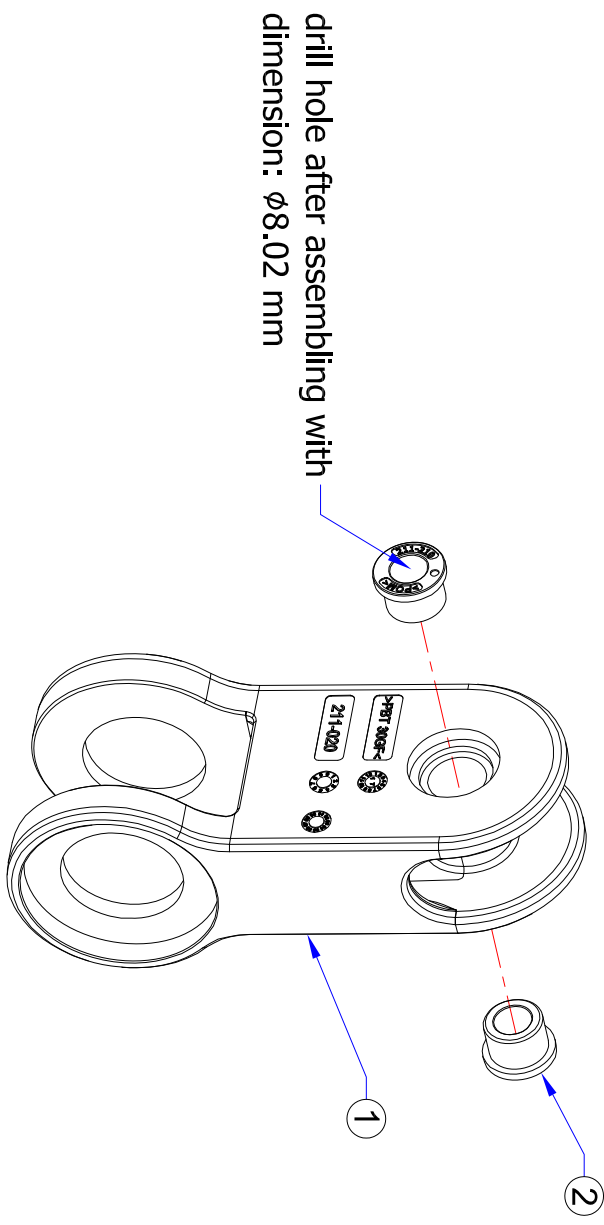
Item	P/N	Description	Qty.
1	S.115.0041.0A	ASSY FLOOR UNIT COMPLETE	1
2	S.115.0052.357A	ASSY MAIN HINGE	1
3	115.0057.0A	FLOOR UNIT BEARING DISC	2
4	115.0056.0A	FLOOR UNIT BEARING BUSH	2
5	115.0172.0	SCREW M6X14	2
6	S.115.0159.8	MAGNET SHELL WIRE HOLE	1
7	115.0041.0J	FLOOR UNIT MAIN COVER	1
8	115.0026.2I	PROTECTION BUMPER	1
9	115.0173.0A	SPLASING PROTECTION FIXATION PIN	4
10	115.0042.0A	COMPRESSION SPRING 7X9X45.5	2
11	115.0095.0	CYLINDER ROUND HEAD CAP SCREW M5X12	5
12	115.0043.0	CYLINDER ROUND HEAD CAP SCREW M5X25	3
13	S.115.0028.357	ASSY SPRING CONTACT PCB	1
14	115.0051.2E	ELECTRONIC BOX BOTTOM WHITE	1
15	115.0047.0E	FLOOR UNIT SPRING SUPPORT	1
16	115.0011.0	EJOT PT SCREW WN 5451 30X10	1
17	115.0046.1	FLOOR UNIT SPRING	1
18	S.115.0049.0C	FLOOR UNIT PCB	1
19	115.0112.0	MAIN WATER HOSE	1
20	115.0045.797E	FLOOR UNIT BATTERY PACK CLIP BLUE P312C	1
21	115.0171.0A	CABLE HOLDER PLATE	2
22	115.0037.0	SOCKET HEAD CAP SCREW TORX M3X8	4
23	115.0050.2B	ELECTRONIC BOX COVER WHITE	11
24	S.115.0160.797	FLOOR UNIT HANDLE GRIP	1
25	115.0178.0A	SOCKET HEAD CAP SCREW TORX M5 x 65	2
	115.0044.0B	SQUEEGEE FIXATION PIN	2

TOLERANCE UNSPECIFIED		REMARK:	
LINE	ANGLE		
XXX	±0.005	X	±2°
XX	±0.05	X	±1.5°
X	±0.1	XX	±1°
.	±0.2	XXX	±0.5°
XX	±0.5	±1	
SHEET 1 OF 1		DATE	
APPROVED		CHECKED	DISIGNED
CONNIE		CONNIE	
SCALE		1:1	DRAWING NO
REV		A	PART NAME
UNIT		MM	W/O CHARGER & BAT BIG
SCALE		1:1	IMOP.L.FCT.1100B2/1
DRAWING NO			SIZE
			A4

**SMT-FOT DONG GUAN**  
**THE FRIENDLY FAMILY**  
 东莞硕能塑胶模具有限公司  
 ASSEMBLY AND MOULDING OF CLEANING



REVISION	DESCRIPTION	REVISED BY	DATE
A	FIRST RELEASE	CONNIE	11/Jan/2022



Item	P/N	Description	Qty.
1	S.115.0052.357A	Main hinge complete	1
2	115.0052.357C	Main hinge	1
2	115.0053.0A	Main hinge bearing bush	2

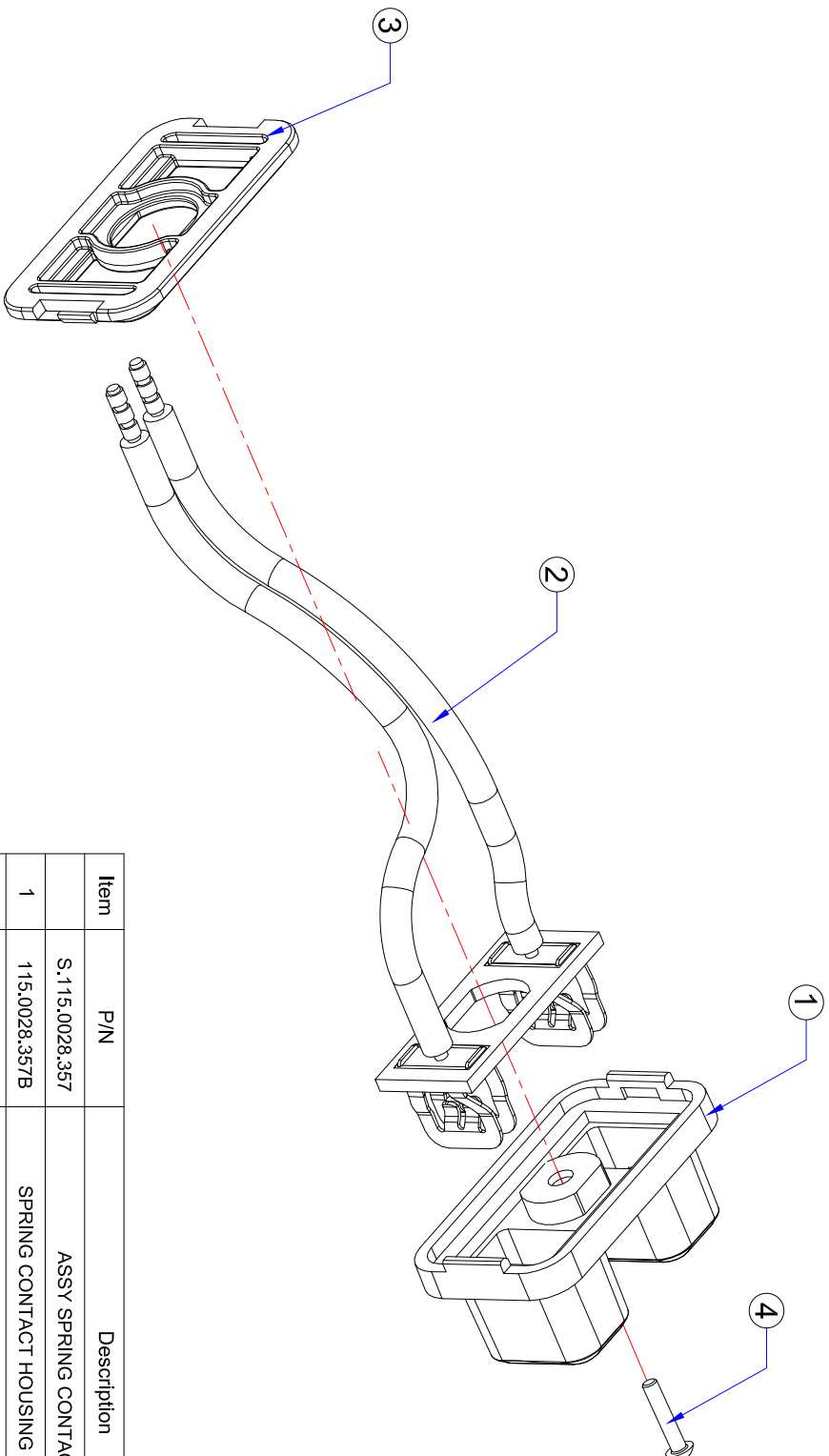
LINE	ANGLE	REMARK:
XXX	$\pm 0.005$	X $\pm 2^\circ$
XX	$\pm 0.05$	X $\pm 1.5^\circ$
X	$\pm 0.1$	.XX $\pm 1^\circ$
.	$\pm 0.2$	.XXX $\pm 0.5^\circ$
XX	$\pm 0.5$	$\pm 1$

SHEET 1 OF 1	DATE	APPROVED	CHECKED	DISIGNED	REV	UNIT	PART NAME	IMOPLT.FCT	SCALE	DRAWING NO	SIZE
	11/Jan/2022			CONNIE	A	MM	IMOPLT.FCT WITH MOTOR W/O CHARGER & BAT BIG	1100B2/1	1:1		A4

SMT-FOT DONG GUAN  
 THE FRIENDLY FAMILY  
 东莞硕能塑胶模具有限公司  
 ASSEMBLY AND MOULDING OF CLEANING

REVISION	DESCRIPTION	REVISED BY	DATE
A	FIRST RELEASE	CONNIE	11/Jan/2022



Item	P/N	Description	Qty.
1	S.115.0028.357	ASSY SPRING CONTACT PCB	1
1	115.0028.357B	SPRING CONTACT HOUSING GREY P431C	1
2	S.115.0027.0B	SPRING CONTACT PCB	1
3	115.0029.357B	SPRING CONTACT FRAME GREY P431C	1
4	115.0011.0	EJOT PT SCREW W/N 5451 30X10	1

LINE	TOLERANCE UNSPECIFIED	ANGLE	REMARK:
XXX	±0.005	±2°	
XX	±0.05	±1.5°	
X	±0.1	±1°	
.	±0.2		
XX	±0.5	±0.5°	
	±1		

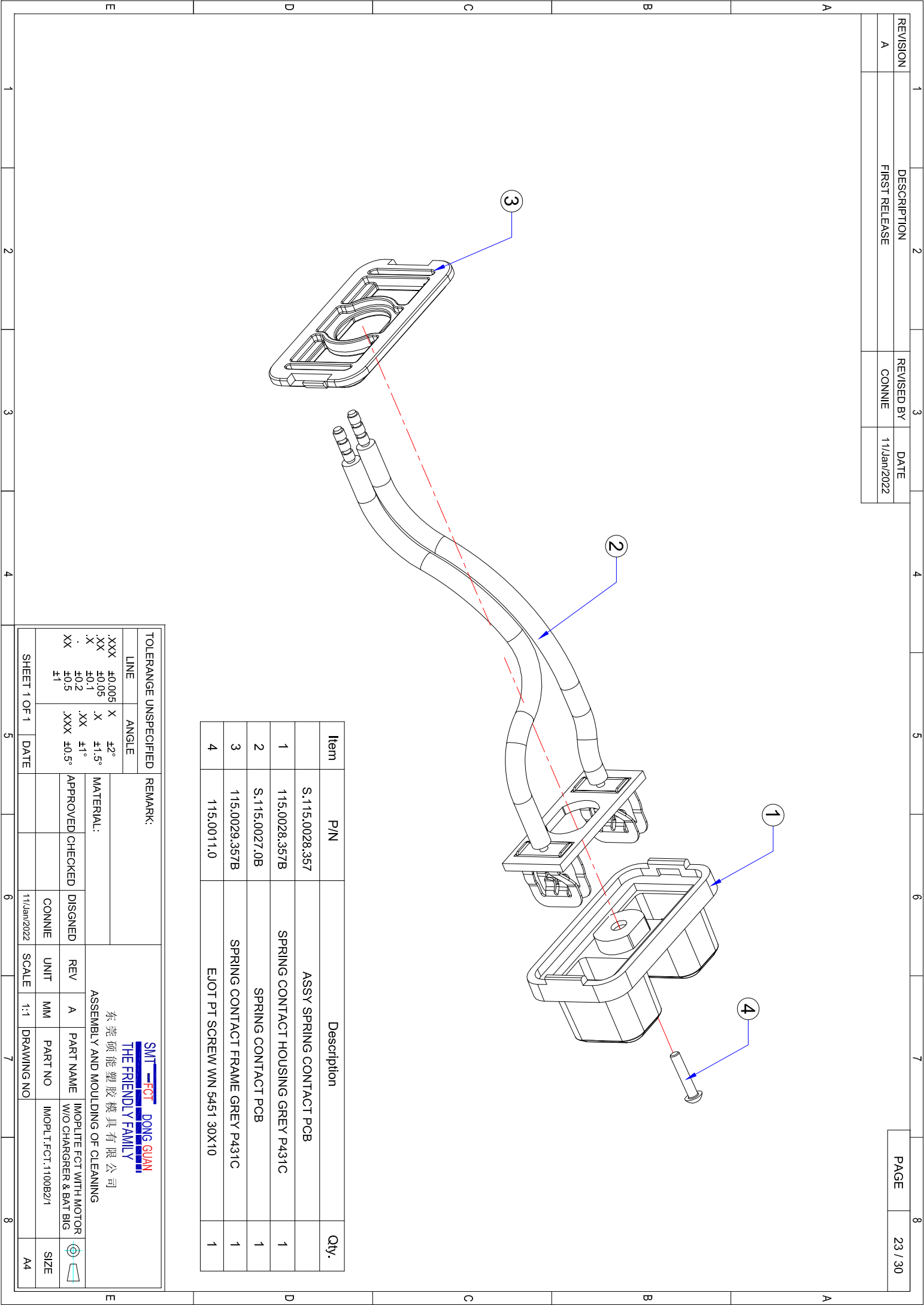
  

SHEET 1 OF 1	DATE	11/Jan/2022	SCALE	1:1	DRAWING NO	IMOPLT.FCT.1100B2/1	SIZE	A4
--------------	------	-------------	-------	-----	------------	---------------------	------	----

APPROVED	CHECKED	DISIGNED	REV	PART NAME	IMOPLT FCT WITH MOTOR W/O CHARGER & BAT BIG
CONNIE	CONNIE	CONNIE	A	IMOPLT FCT WITH MOTOR W/O CHARGER & BAT BIG	

**SMT-FOT DONG GUAN**  
**THE FRIENDLY FAMILY**  
 东莞硕能塑胶模具有限公司  
 ASSEMBLY AND MOULDING OF CLEANING





REVISION	DESCRIPTION	REVISED BY	DATE
A	FIRST RELEASE	CONNIE	11/Jan/2022



Soldering the power cables and the spring contacts onto the pcb

Crimp the terminal end lugs onto the power cables

1

Item	P/N	Description	Qty.
1	S.115.0027.0B	ASSY SPRING CONTACT PCB	
1	115.0027.0A	SPRING CONTACT PCB	1

TOLERANCE UNSPECIFIED

LINE	ANGLE	REMARK:
XXX	±0.005	X ±2°
XX	±0.05	X ±1.5°
X	±0.1	X ±1°
.	±0.2	.XX ±1°
XX	±0.5	.XXX ±0.5°
	±1	

MATERIAL:

APPROVED CHECKED DISIGNED

CONNIE

REV A PART NAME IMOPUTE FCT WITH MOTOR W/O CHARGER & BAT BIG

UNIT MM PART NO IMOPL.T.FCT.1100B2/1

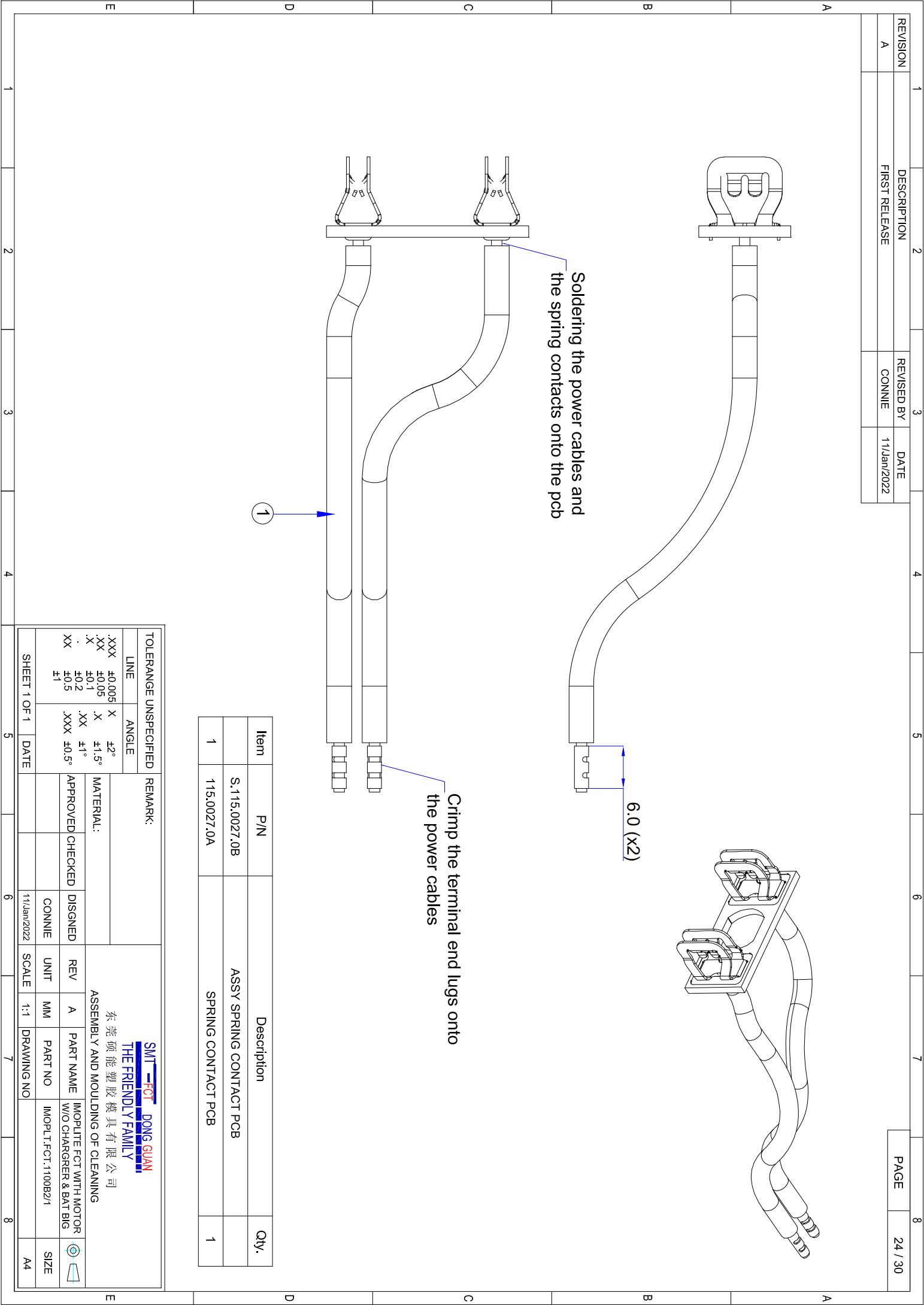
SCALE 1:1 DRAWING NO

DATE 11/Jan/2022

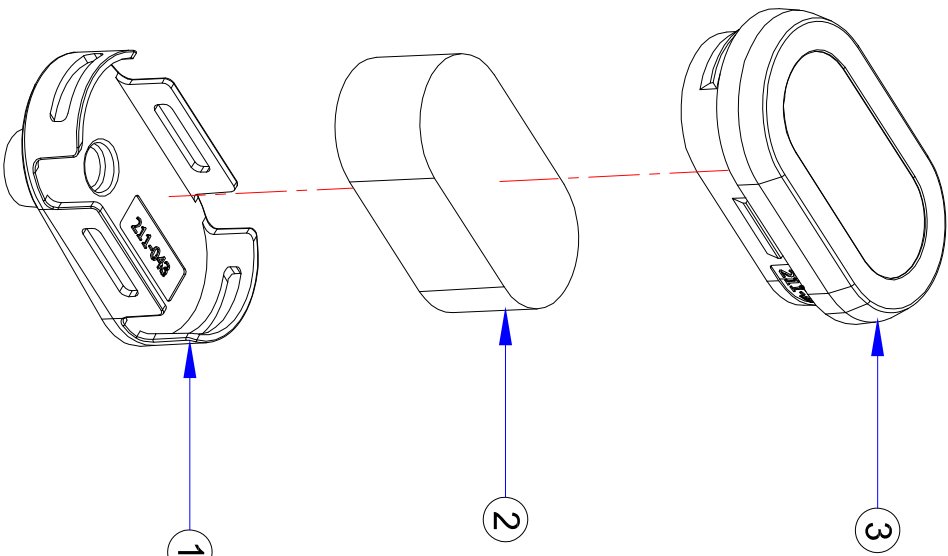
ASSEMBLY AND MOULDING OF CLEANING

**SMT-FCT DONG GUAN**  
**THE FRIENDLY FAMILY**  
 东莞硕能塑胶模具有限公司

SIZE A4



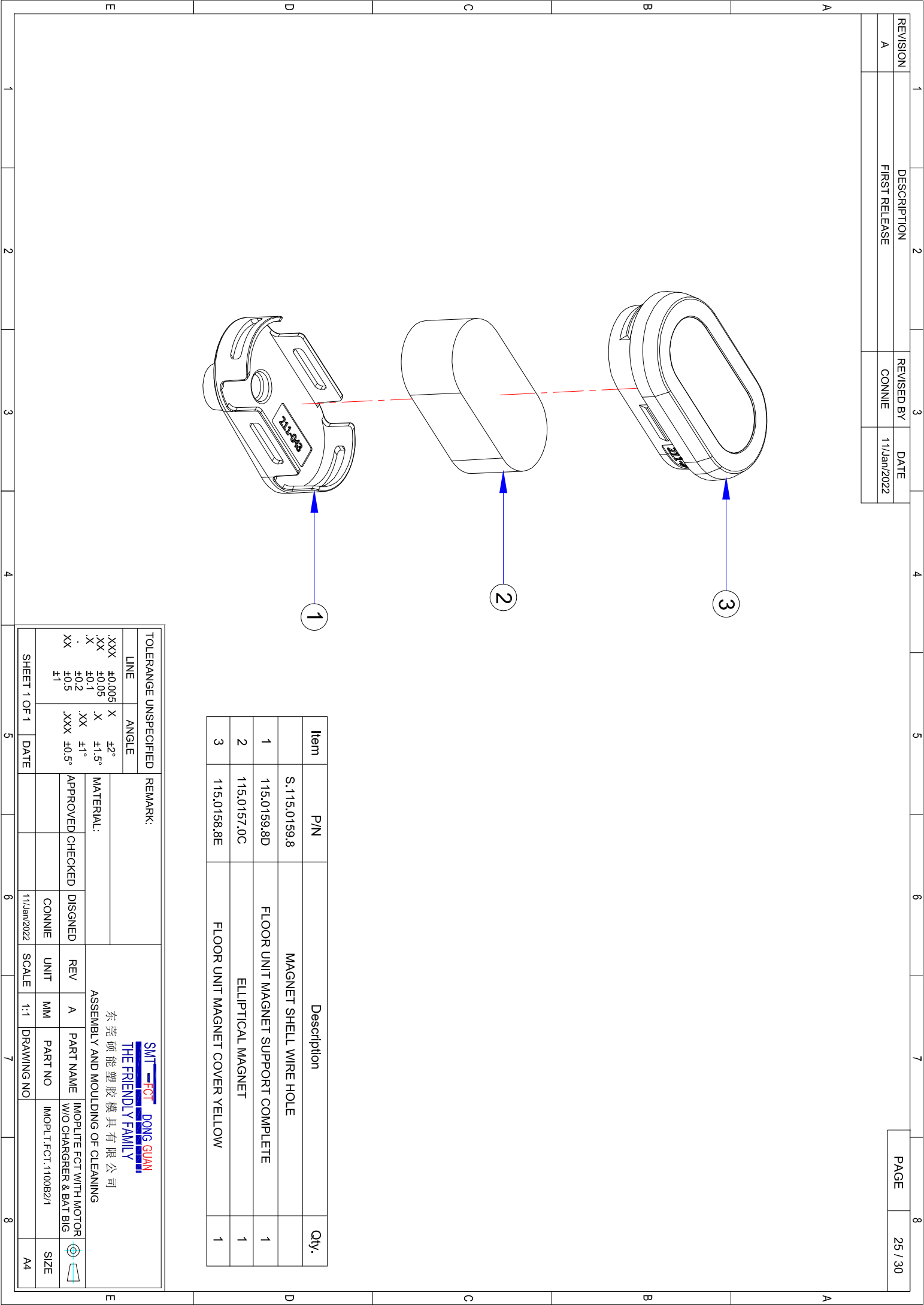
REVISION	DESCRIPTION	REVISED BY	DATE
A	FIRST RELEASE	CONNIE	11/Jan/2022



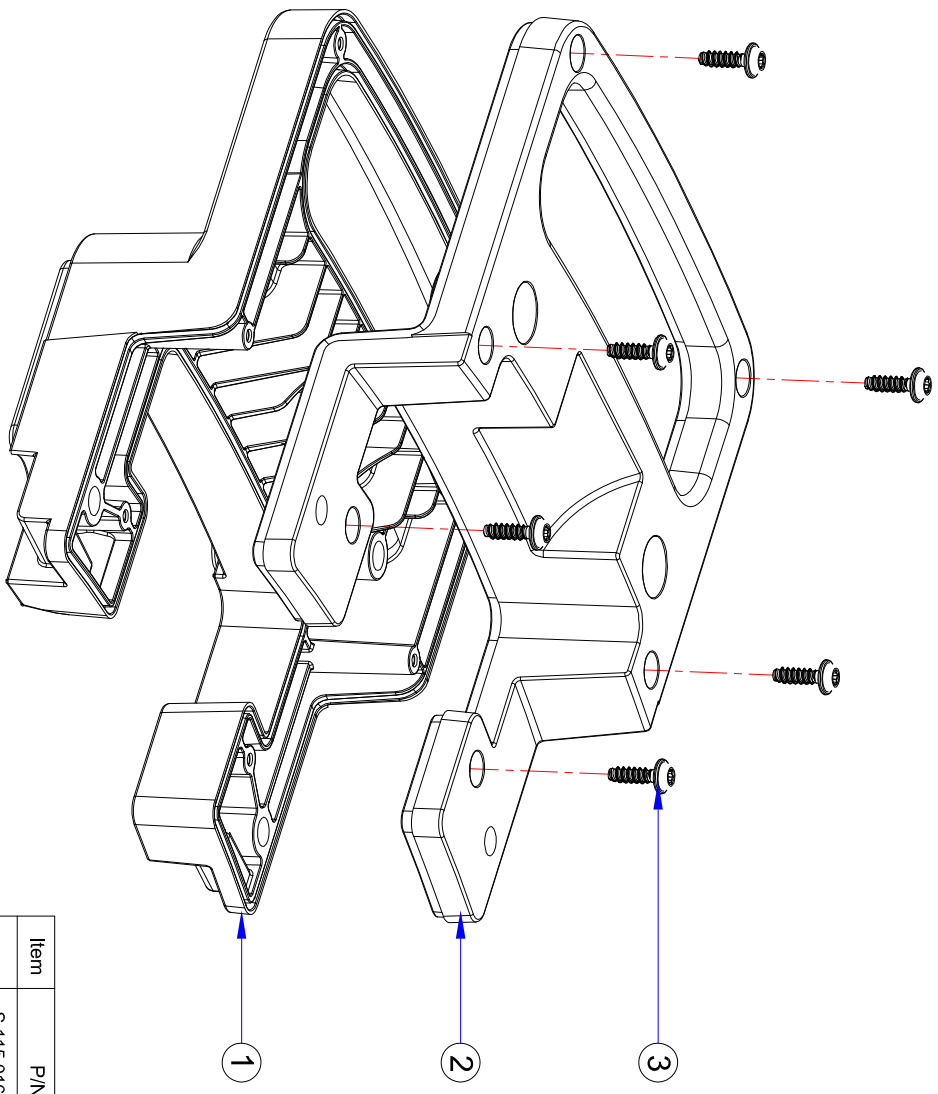
Item	P/N	Description	Qty.
1	S.115.0159.8	MAGNET SHELL WIRE HOLE	
1	115.0159.8D	FLOOR UNIT MAGNET SUPPORT COMPLETE	1
2	115.0157.0C	ELLIPTICAL MAGNET	1
3	115.0158.8E	FLOOR UNIT MAGNET COVER YELLOW	1

TOLERANCE UNSPECIFIED		REMARK:	
LINE	ANGLE		
XXX ±0.005	X ±2°		
XX ±0.05	X ±1.5°		
X ±0.1	.XX ±1°		
. ±0.2	.XXX ±0.5°		
XX ±0.5	±1		
SHEET 1 OF 1		DATE	
		11/Jan/2022	
APPROVED		CHECKED	DISIGNED
		CONNIE	
REV	A	PART NAME	IMOPUTE FCT WITH MOTOR
UNIT	MM	PART NO	W/O CHARGER & BAT BIG
SCALE	1:1	DRAWING NO	IMOPT.FCT.1100B2/1
SHEET 1 OF 1		DATE	
		11/Jan/2022	
SHEET 1 OF 1		DATE	
		11/Jan/2022	

SMT-FCT DONG GUAN  
 THE FRIENDLY FAMILY  
 东莞硕能塑胶模具有限公司  
 ASSEMBLY AND MOLDING OF CLEANING



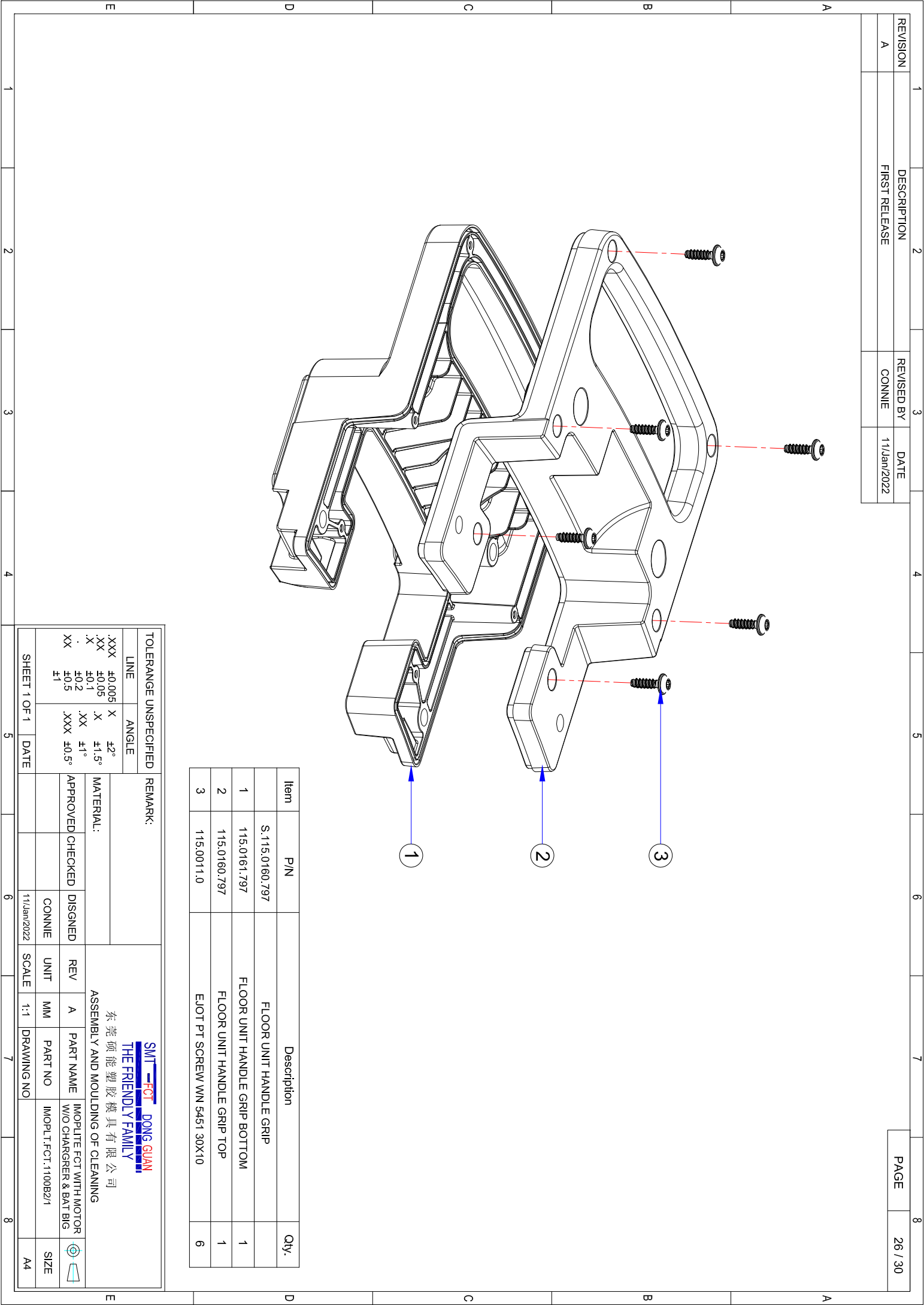
REVISION	DESCRIPTION	REVISED BY	DATE
A	FIRST RELEASE	CONNIE	11/Jan/2022



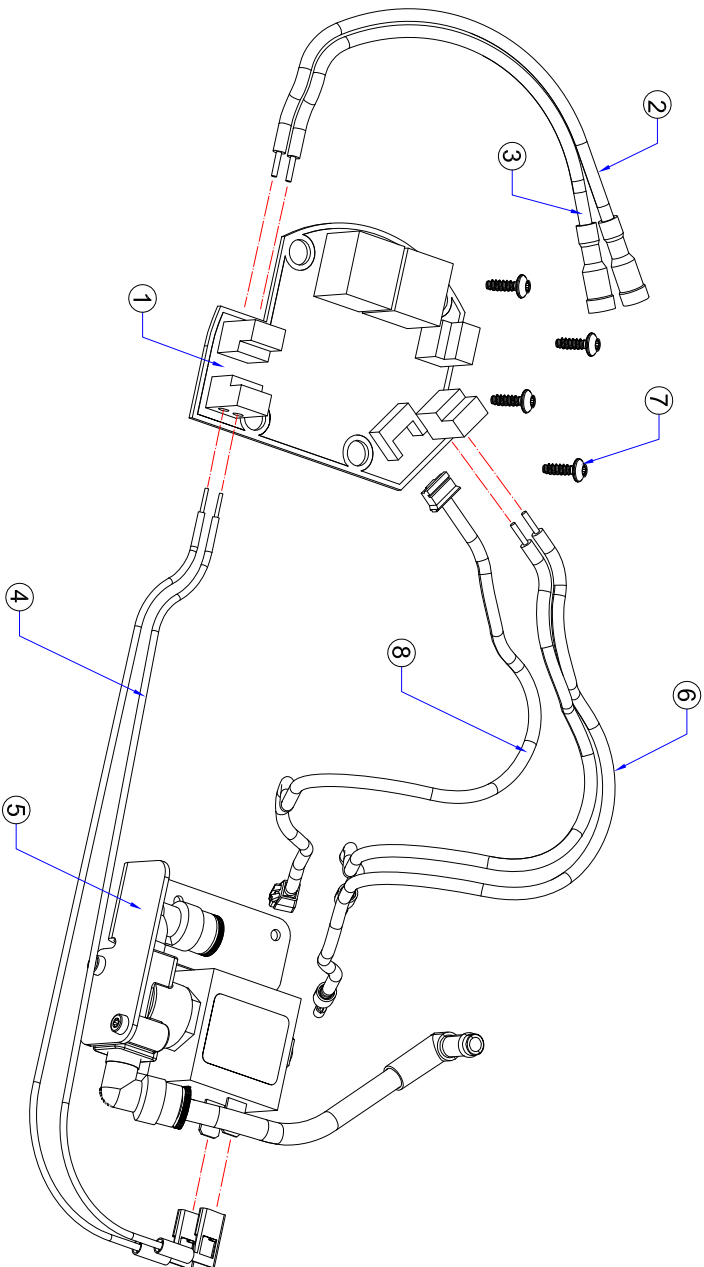
Item	P/N	Description	Qty.
1	S.115.0160.797	FLOOR UNIT HANDLE GRIP	1
2	115.0161.797	FLOOR UNIT HANDLE GRIP BOTTOM	1
3	115.0160.797	FLOOR UNIT HANDLE GRIP TOP	1
	115.0011.0	EJOT PT SCREW WN 5451 30X10	6

TOLERANCE UNSPECIFIED		REMARK:	
LINE	ANGLE		
XXX ±0.005	X ±2°		
XX ±0.05	X ±1.5°		
X ±0.1	.XX ±1°		
. ±0.2	.XXX ±0.5°		
XX ±0.5	±1		
MATERIAL:		ASSEMBLY AND MOLDING OF CLEANING	
APPROVED	CHECKED	DISIGNED	REV
		CONNIE	A
SHEET 1 OF 1		DATE	UNIT
		11/Jan/2022	MM
		SCALE	DRAWING NO
		1:1	
			SIZE
			A4

SMT-FOT DONG GUAN  
 THE FRIENDLY FAMILY  
 东莞硕能塑胶模具有限公司  
 ASSEMBLY AND MOLDING OF CLEANING



REVISION	DESCRIPTION	REVISED BY	DATE
-	FIRST RELEASE	CONNIE	18/Jun/2020
A	ADDED THE PART NO. 115.0148.0	CONNIE	11/Jan/2022



Item	P/N	Description	Qty.
1	S.115.0049.0C	FLOOR UNIT PCB	
1	115.0049.0A	FLOOR UNIT PCB WITH SOFT START COMPLETE	1
2	115.0146.0	CONNECTING DRIVE MOTOR LINE RED	1
3	115.0145.0	CONNECTING DRIVE MOTOR LINE BLACK	1
4	115.0149.0A	SOLENOID CABLE BLACK COMPLETE	1
5	S.115.0038.0	ASSY SOLENOID PARKER N7.4.4 FV	1
6	S.115.0147.0	ASSY LMOP LITE FLOOR UNIT CABLE	1
7	115.0037.0	SOCKET HEAD CAP SCREW TORX M3X8	4
8	115.0148.0	FLOOR UNIT CONTROL CABLE BLACK	1

TOLERANCE UNSPECIFIED

LINE	ANGLE	REMARK:
XXX	±0.005	X ±2°
XX	±0.05	X ±1.5°
X	±0.1	X ±1°
.X	±0.2	.XX ±1°
XX	±0.5	.XXX ±0.5°
	±1	

REMARK:

MATERIAL:  
 APPROVED CHECKED  
 DISIGNED  
 CONNIE

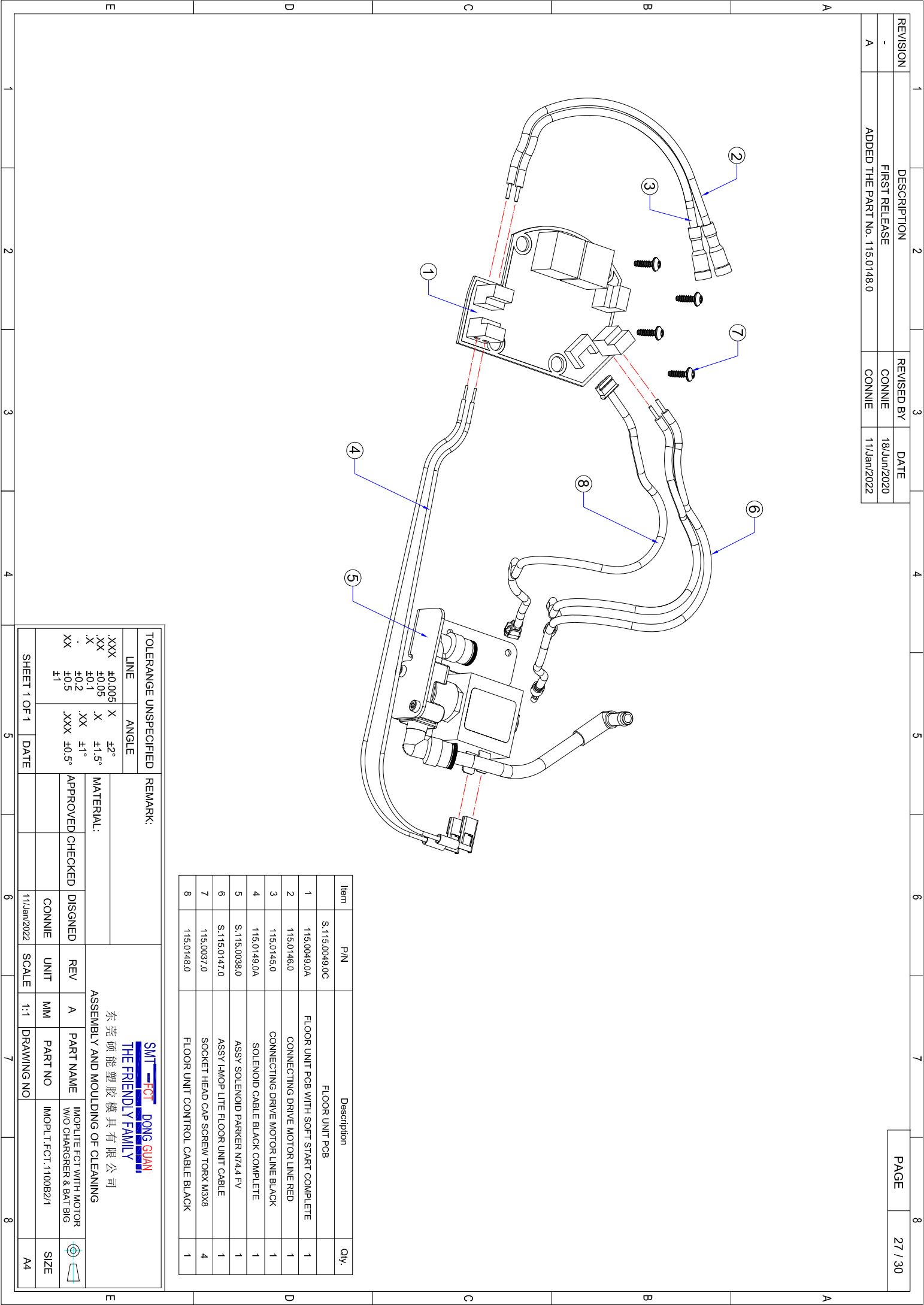
LINE	ANGLE	REMARK:	REV	UNIT	PART NAME	IMOP LITE FCT WITH MOTOR W/O CHARGER & BAT BIG	SCALE	DRAWING NO	SIZE
SHEET 1 OF 1	DATE	11/Jan/2022	A	MM	IMOP LITE FCT WITH MOTOR W/O CHARGER & BAT BIG	1:1	1100B2/1		A4

ASSEMBLY AND MOULDING OF CLEANING

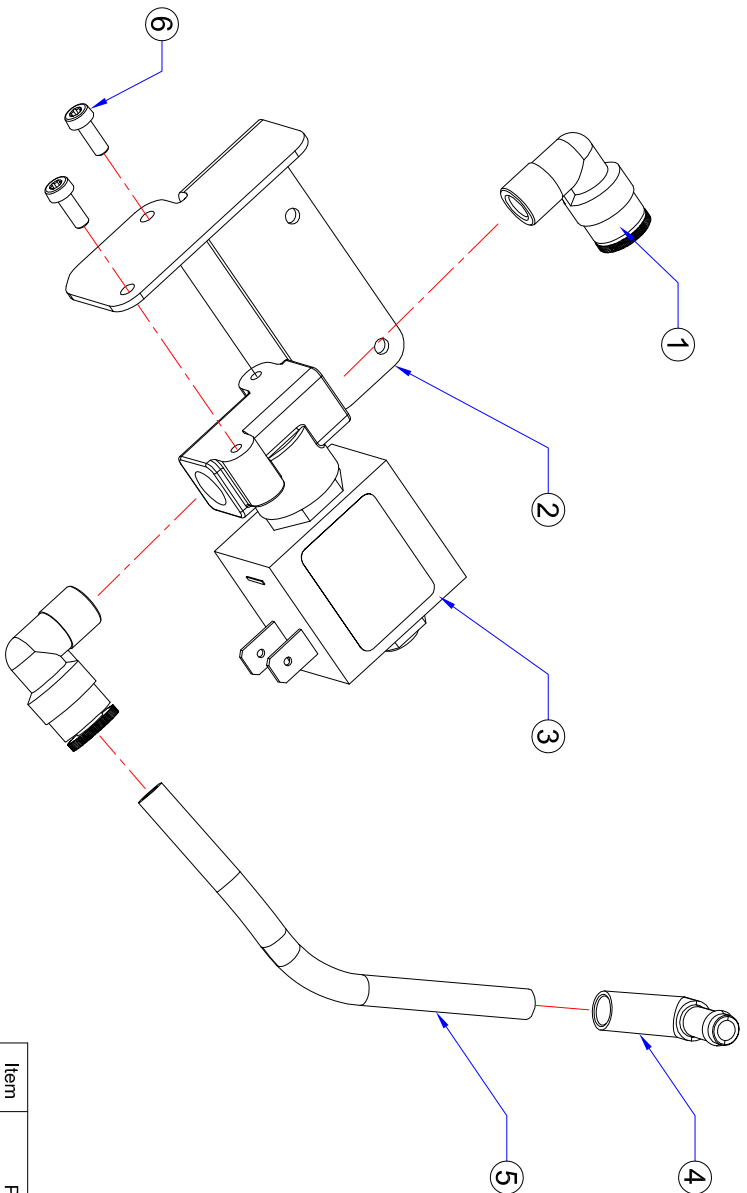
**SMT-FCT DONG GUAN**  
**THE FRIENDLY FAMILY**

东莞硕能塑胶模具有限公司

ASSEMBLY AND MOULDING OF CLEANING



REVISION	DESCRIPTION	REVISED BY	DATE
A	FIRST RELEASE	CONNIE	11/Jan/2022



Item	P/N	Description	Qty.
1	S.115.0038.0	ASSY SOLENOID PARKER N7.4.4 FV	2
2	115.0035.0	ANGLE METAL CONNECTOR	2
3	115.0038.0A	SOLENOID FIXATION PLATE	1
4	72.0026.6	MAGNETIC VALVE PARKER	1
5	115.0024.357C	DRIVE MODULE WATER COUPLING GREY P431C	1
6	115.0022.0	DRIVE MODULE HOSE EXTERNAL	1
6	115.0037.0	SOCKET HEAD CAP SCREW TORX M3X8	4

TOLERANCE UNSPECIFIED

LINE	ANGLE	REMARK:
XXX	±0.005	X ±2°
XX	±0.05	X ±1.5°
X	±0.1	X ±1°
.	±0.2	XX ±1°
XX	±0.5	XXX ±0.5°
	±1	

REMARK:

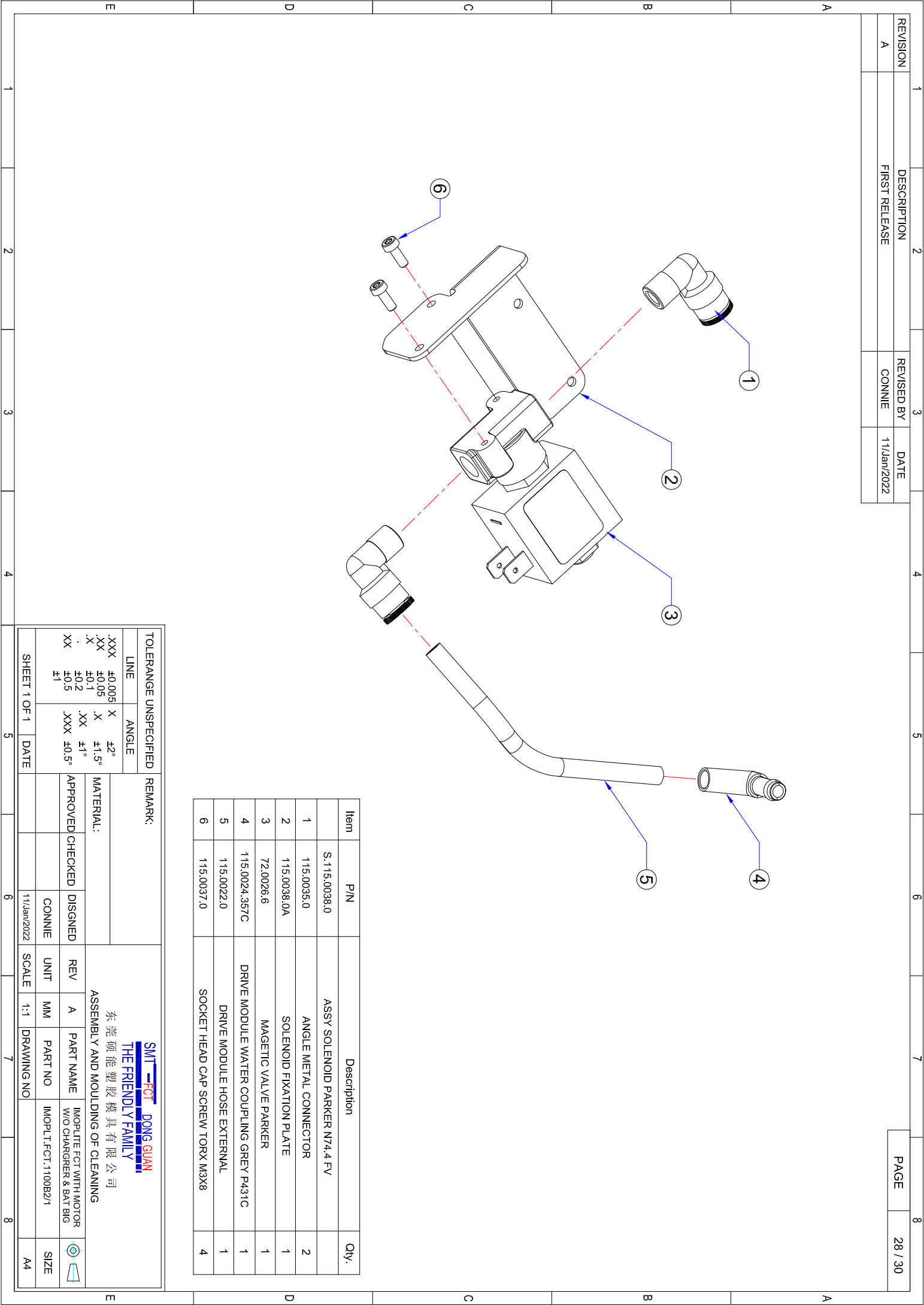
MATERIAL:  
 APPROVED CHECKED DISIGNED  
 CONNIE

SHEET 1 OF 1	DATE	11/Jan/2022	SCALE	1:1	DRAWING NO	IMOPT.FCT.1100B2/1	SIZE	A4
--------------	------	-------------	-------	-----	------------	--------------------	------	----

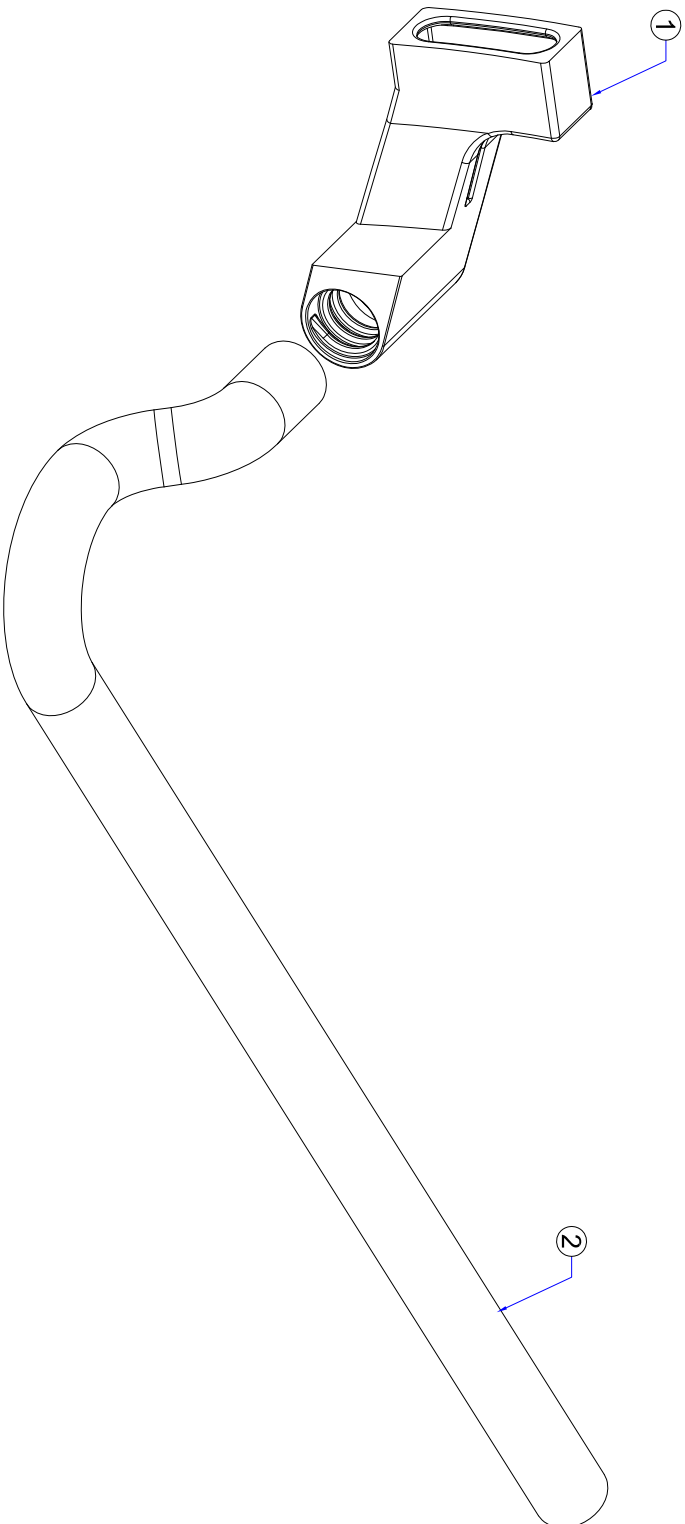
**SMT-FOT DONG GUAN**  
**THE FRIENDLY FAMILY**

东莞硕能塑胶模具有限公司  
 ASSEMBLY AND MOULDING OF CLEANING

REV A  
 PART NAME IMOPUTE FOT WITH MOTOR W/O CHARGER & BAT BIG  
 UNIT MM  
 DRAWING NO



REVISION	DESCRIPTION	REVISED BY	DATE
A	FIRST RELEASE	CONNIE	11/Jan/2022



Item	P/N	Description	Qty.
1	S.115.0059.0	ASSY MAIN SUCTION HOSE	
1	115.0201.0C	FLOOR UNIT SQUEEGEE HOSE CONNECTOR CW	1
2	115.0059.0	MAIN SUCTION HOSE	1

LINE	ANGLE	REMARK:
XXX	X	±2°
XX	X	±1.5°
X	XX	±1°
.	XXX	±0.5°
XX	±1	

TOLERANCE UNSPECIFIED

SHEET 1 OF 1	DATE
	11/Jan/2022

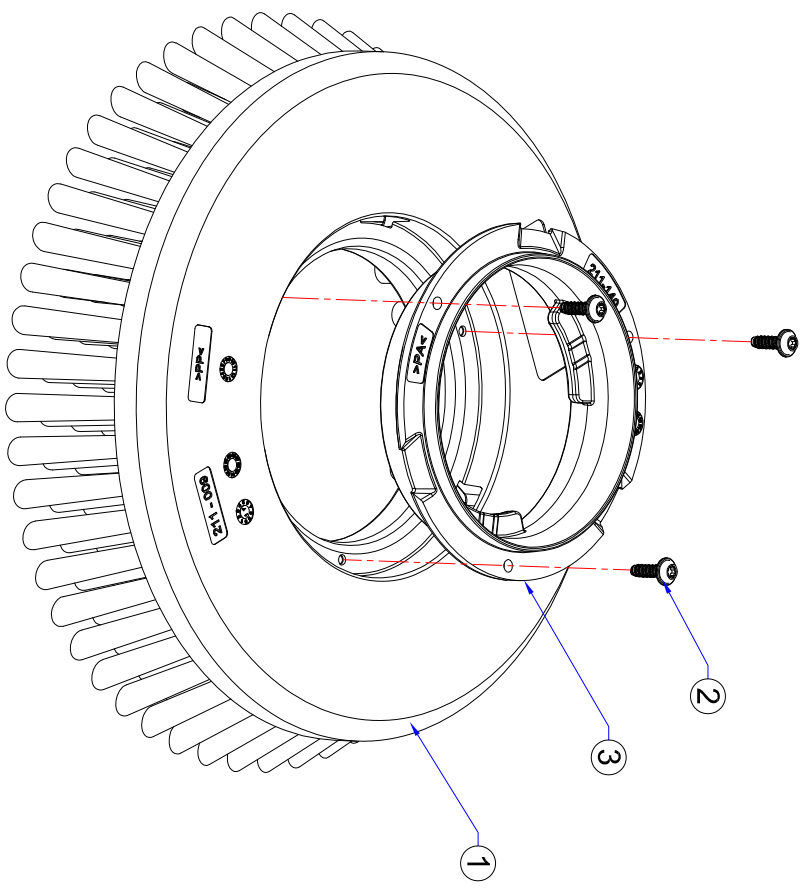
APPROVED	CHECKED	DISIGNED	REV	UNIT	PART NAME	SCALE	DRAWING NO
		CONNIE	A	MM		1:1	

ASSEMBLY AND MOULDING OF CLEANING

**SMT-FCT DONG GUAN**  
**THE FRIENDLY FAMILY**  
 东莞硕能塑胶模具有限公司  
 IMOPUTE FCT WITH MOTOR  
 W/O CHARGRRR & BAT BIG  
 IMOPL.T.FCT.1100B2/1

SIZE A4

REVISION	DESCRIPTION	REVISED BY	DATE
A	FIRST RELEASE	CONNIE	11/Jan/2022



Item	P/N	Description	Qty.
1	S.115.1054.797/797B	Main hinge complete	
1	115.1055.797A	ASSY BRUSH BLUE 0.3PP BRISTLE	1
2	115.0011.0	EJOT PT SCREW WN 5451 30X10	3
3	115.1058.797F	BRUSH LOCK BLUE P312C	1

LINE	ANGLE	REMARK:	REV	UNIT	PART NAME	SIZE
XXX	±0.005		A	MM	IMOPUTE FCT WITH MOTOR	④
XX	±0.05				W/O CHARGER & BAT BIG	⑤
X	±0.1					
.	±0.2					
XX	±0.5					
	±1					

TOLERANCE UNSPECIFIED

REMARK:

ASSEMBLY AND MOULDING OF CLEANING

SHEET 1 OF 1

DATE

11/Jan/2022

SCALE

1:1

DRAWING NO

A4

**SMT-FCT DONG GUAN**  
**THE FRIENDLY FAMILY**  
 东莞硕能塑胶模具有限公司  
 ASSEMBLY AND MOULDING OF CLEANING