

# Clemas & Co Ltd

Industrial Cleaning Equipment  
Sales - Hire - Service

## JOLLY 17 POLISHER OPERATOR MANUAL



**Clemas & Co.** Unit 5 Ashchurch Business Centre, Alexandra Way, Tewkesbury,  
Gloucestershire, GL20 8NB.

**Tel:** 01684 850777

**Fax:** 01684 850707

**Email:** [info@clemas.co.uk](mailto:info@clemas.co.uk)

**Web:** [www.clemas.co.uk](http://www.clemas.co.uk)



## Operating instructions and maintenance

***THIS MANUAL CONTAINS VITAL INFORMATION FOR THE SAFE USE AND EFFICIENT OPERATION OF THIS MACHINE. CAREFULLY READ THIS OPERATOR'S MANUAL BEFORE STARTING THE MACHINE, AND RETAIN FOR FUTURE REFERENCE. INSTRUCT ALL OPERATORS TO READ THIS MANUAL. FAILURE TO ADHERE TO THE INSTRUCTIONS COULD RESULT IN SERIOUS BODILY ANJURI OR PROPERTY DAMAGE.***

### PRESCRIBED USAGE

This machine is designed for the professional cleaning according to these operating instructions.

For the safe operation of this machine, and for the safety of the operator observe the following instructions:

- 1) Do not use this machine in an explosive atmosphere such as gas vapor etc.
- 2) Do not operate this machine unless it is completely assembled.
- 3) Do not leave this machine plugged into the power source while unattended.
- 4) The Floor Maintainer is designed to be used with detergent and water .They should never be used with flammable materials such as : gasoline, kerosene, etc. .
- 5) Do not clean this machine with a high pressure cleaner by water but use only air pressure cleaner.

### GENERAL SAFETY INSTRUCTION

This machine is designed and constructed according to the present state of the art and recognised technical safety standards. It is fitted with protective devices, following safety European standard rules. Dangers can occur in spite of this, in particular in the case of maloperation or non-compliance with the specifications and information in the operating instructions.

All our equipments are covered by international assurances against risks.

#### 1) Sources of danger

Electrical voltage / Electric current

Warning: Danger

Contact with voltage or current carryng parts carries the risk of electric shock which can result in serious injury or even death.

Never touch damaged cables.

Always switch off and disconnect the power supply before carrying out any work on the machine. Replace faulty cables immediately.

#### 2) Improper usage.

Any usage of the machine for a purpose not covered under the “Prescribed usage” or contractually agreed purpose is not permissible.

The use of the machine in an unserviceable condiction or not in compliance with the following prescription is prohibited:

- Protective devices must not be removed or bypassed.
- Conversions and modification to the machine are not permitted.
- Defective supply cables are only to be replaced by original FIORENTINI cables.
- Coupling elements between mains supply or detachable extension cable must be at least splashproof.
- The machine is to be fitted with a type H circuit breaker for rated current of 15A.

#### 3) Organisational points

It is the responsibility of the operator to ensure that:

- The machine is used only by personnel who have been instructed in its handling and authorised to use it.
- The recognised occupational safety regulations are observed.



- Any further national or internal company regulations are observed.
- All users are acquainted with the safety regulations and trained in the use of the specific machine.
- All users have read and understood the operation instructions.
- Responsibilities for the operation, maintenance and repair of the machine are clearly assigned and observed.
- Faults and damage are immediately notified to the Service Agent of FIORENTINI.

#### 4) Emergencies

In the case of an emergency:

- Pull out the mains connector plug.
- Immediately apply recognised first-aid measures.

After incidents, do not resume operation with the machine until it has been inspected by FIORENTINI authorized technical.

#### 5) Operating for the first time

Delivery, instruction on safety rules, handling and maintenance as well as operation for the first time must be carried following the specification of this instruction book.

The operator is responsible for instructing the users.

**FURTHER SAFETY INSTRUCTIONS CONCERNING OPERATING AND MAINTENANCE ARE DETAILED IN THE RELEVANT SECTIONS AND MUST BE COMPLIED WITH!**

#### **IMPORTANT NOTES**

Before starting to use the machine please observe the following points:

- If you should discover any damage when unpacking the machine please inform your sale agency.
- The supply voltage must be the same as that shown on the nameplate.

#### **FOR ALL GROUNDED APPLIANCES**

This appliance should be grounded while in use to protect the operator from electric shock. The appliance is equipped with an approval three-conductor European cord and three-prong grounding type plug to fit the proper grounding type receptacle. The green (or green and yellow) conductor in the cord is the grounding wire.

Never connect the green (or green and yellow) wire to a live terminal.

#### **OPERATION OF MACHINE**

Disconnect machine from power source before installing or removing brush, or before all cleaning operation on the machine. Except for the brush, your machine has been completely assembled at the factory for immediate operation. To assemble brush, tilt machine backwards and line up lugs on gear unit with openings on brush locking plate. Then turn brush in a clockwise direction, locking down on machine. To operate, first rise locking cam lever located at lower part of handle. Lower the handle to best operating position and tighten locking cam lever to hold handle in position. Your machine is now ready to operate. In operating the machine you must remember that the machine will have a tendency to travel to the right or the left depending if pressure is exerted on the front or rear of the brush. Therefore, when the operator lifts the handle, the machine will go to the right. The movements of the machine is very easily controlled, by simply tilting the handle up or down.

While machine is in operation, care must be taken to keep extension cord away from rotating brush.

If the electrical cable is damaged, stop the machine and before to use it replace the cable by qualified technicalmen.

***WARNING: NEVER TURN ON MACHINE WHEN HANDLE IS IN UPRIGHT VERTICAL POSITION BECAUSE THE MACHINE IS SUPPLIED OF SAFETY MICRO-SWITCH. THE "ON"***



**AND “OFF” MASTER SWITCH IS OPERATED BY MEANS OF LEVERS IMMEDIATELY UNDER HANDLE GRIPS. WHEN TRANSPORTING OR STORING MACHINE, RAISE HANDLE TO VERTICAL POSITION.**

### **MAINTENANCE OF MACHINE**

**WARNING:** MAINTENANCE SHOULD BE PERFORMED BY QUALIFIED PERSONNEL ONLY.

**Lubrication:** your machine has been completely lubricated at the factory before shipment to you. The gear unit is lubricated for 2 or 3 years (for normal work).

### **CARE OF SCRUB AND POLISH BRUSHES**

Always remove brush from the machine when not in use. Brushes should be kept in a cool dry place as excessive heat will warp and crack backing.

**Extension cord:** your machine has been equipped with 15 meters of cable. Should additional cable be needed, use a larger size wire and always 3 wires.

**Replace worn, cut or frayed electrical cables.**

The Floor Maintener can be converted to many different uses. Following are the different types of brushes available:

- 1) BASSINE BRUSH
- 2) NYLON BRUSH
- 3) NYLON-STEEL BRUSH
- 4) STEEL BRUSH
- 5) MOQUETTE BRUSH
- 6) PAD HOLDER
- 7) SYNTETIC PAD

It is possible to have also the solution tank for automatic solution feed.

### **TECNICAL CHARACTERISTICS**

POWER	1100W
PROTECTION CLASS	1
LENGTH OF CORDS	15 m
BRUSH SIZE	430 mm
BRUSH	150 rpm
ENERGY SOURCE	network current
VOLT	230 V
WEIGHT	40 Kg
DECIBEL	65 dB



## GOODS TO BE RETURNED

In case of goods to be returned for warranty replacement, it is necessary to have a written acceptance from FIORENTINI technical department before sending them.

All defective parts must be carefully packed in order to avoid further damages during transport.

Goods must be shipped ex-warehouse and followed by :

- **serial number of the equipment where they were installed on;**
- **item code of the defective part;**
- **detailed description of the defect and of the conditions where it happened.**

In case of defective electric or electronic goods, please return them separately from other materials, in order to help us in dividing dangerous wastegoods and recycle the (RAEE) as DER 2002/96/CEE LOW.





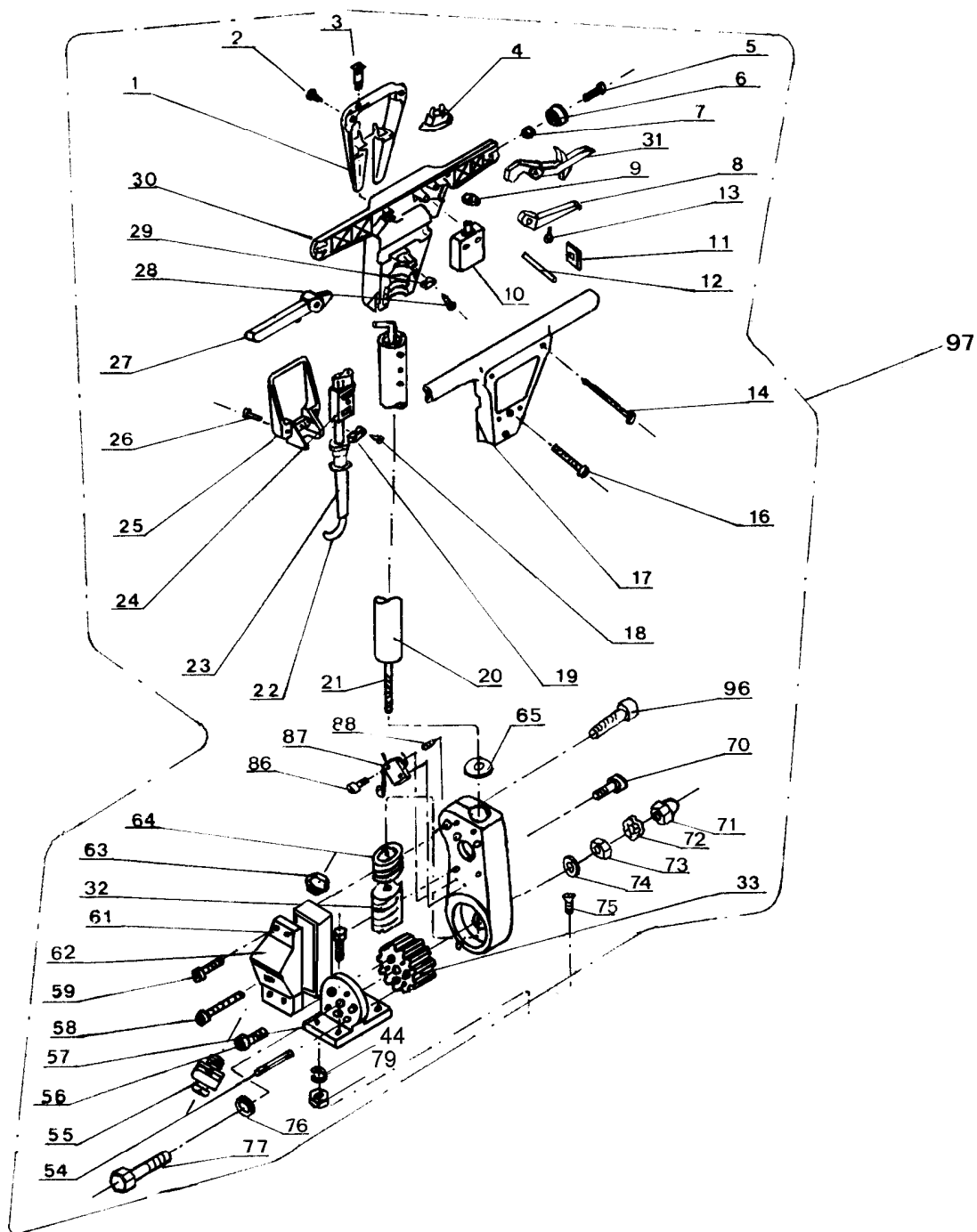
# JOLLY 17

**PARTI DI RICAMBIO**

**SPARE PARTS**

**PIÈCES DETACHÉES**

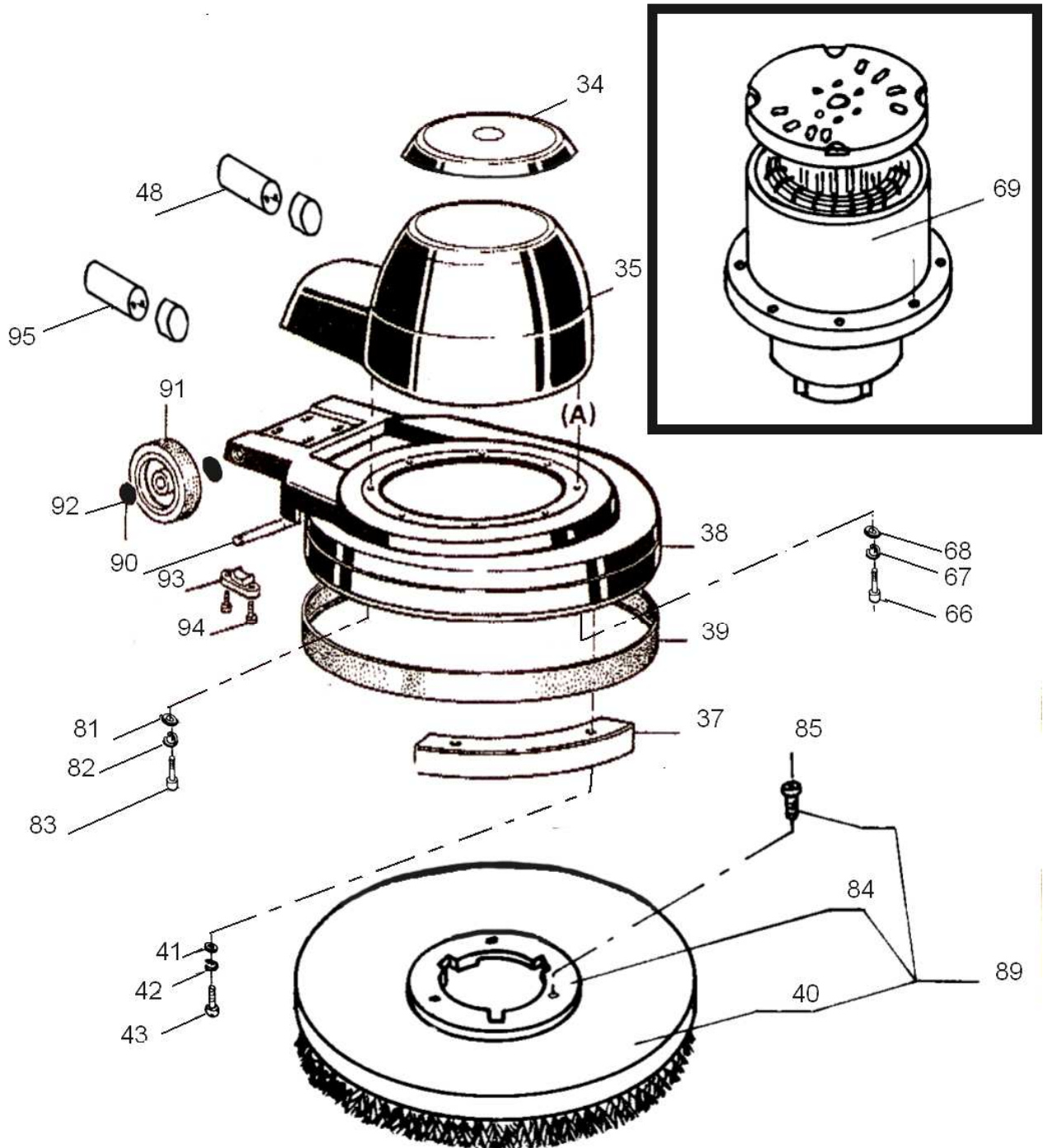
**ERSATZTEILE**





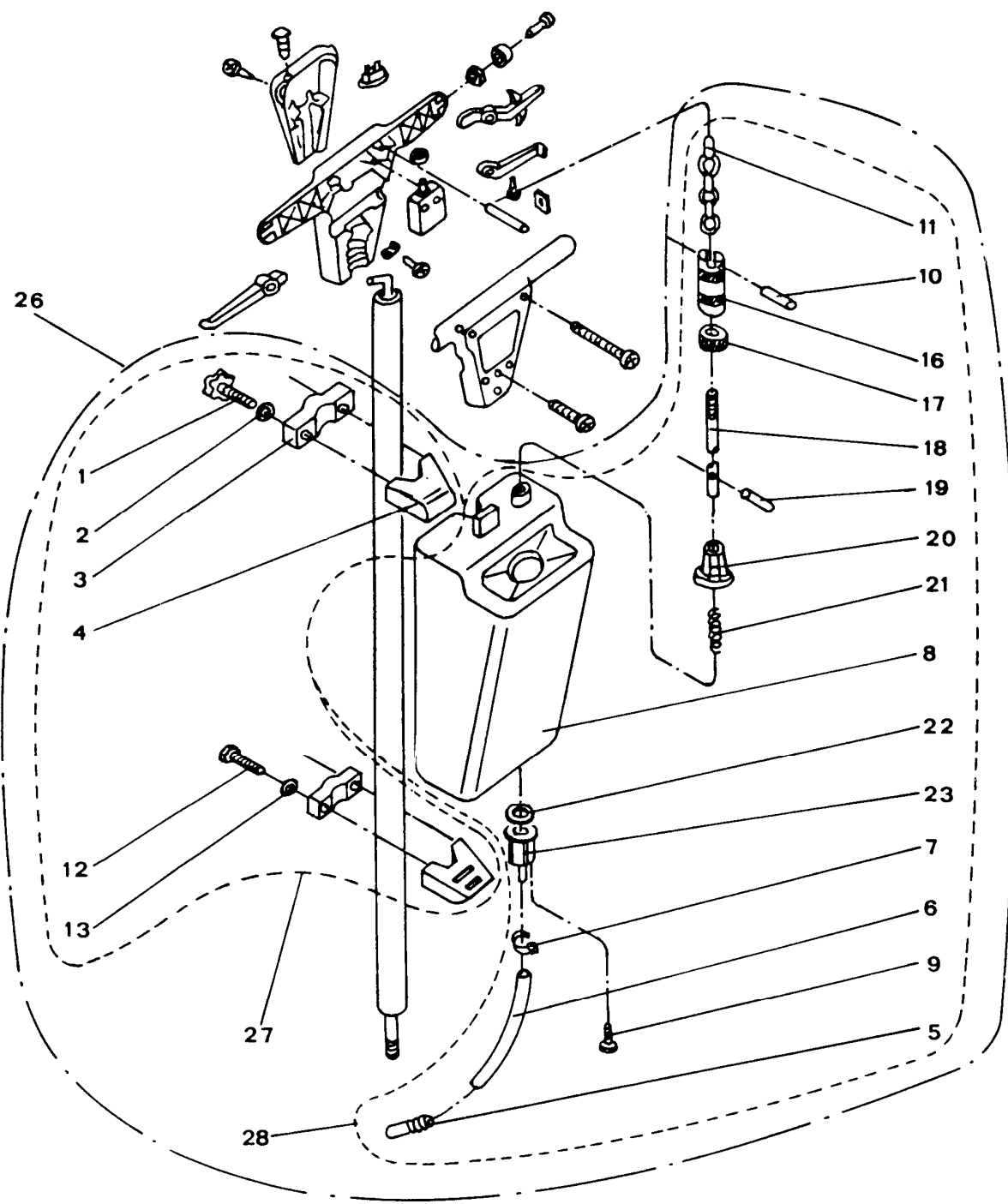
N.Position	Code Num Qta	Descrizione	Description	Description	Bezeichnung
J17.01.001	CO069	1 COPERCHIO SPINA CAVO ELETTRICO C/IN	PLUG COVER	COUVERCLE	DECKEL
J17.01.002	VA224	4 VITE AUTOFIETT.4,8x19 UNI 6954/71	SCREW	VIS	SCHRAUBE
J17.01.003	LP010	1 LAMPADA SPIA ROSSA 220V	RED PILOT LIGHT 220V	LAMPE VOYANT ROUGE	KONTROLLAMPE, ROT
J17.01.004	PY307	1 SPINETTA MASCHIO 250V 10A	PLUG	CONNECTEUR	STECKER
J17.01.005	VC223	2 VITE CILIN.CROCE M6x20 UNI 7687	SCREW	VIS	SCHRAUBE
J17.01.006	TA011	2 TAPPO MANICO	PLUG	BOUCHON	STOPFEN
J17.01.007	DD204	2 DADO M6 UNI 5588/65	NUT	ECROU	MUTTER
J17.01.008	LV148	1 LEVA SERBATOIO	TANK LEVER	LEVIER	BEHAELTERHEBEL
J17.01.009	CF006	1 RONDELLA ELASTICA CAPPED D.5,5	EL.WASHER CAPPED D.5,	RONDELLE	FEDERSCHEIBE
J17.01.010	IN024	1 MICRO COMANDO ROTAZIONE SPAZZOLA	BRUSH ROT.MICRO CONTR	MICRO INTERRUPTEUR	MIKROSCHALTER
J17.01.011	CO073	2 COPERCHIETTO LEVA	LEVER COVER	COUVERCLE	HEBELDECKEL
J17.01.012	SS004	3 SPINA CILINDRICA 6X50	PIN	CONNECTEUR	ZYLINDERSTIFT
J17.01.013	MI056	1 OCCHIELLO FILETTATO Di=5 2,3x4,5x12	THREADED EYELET	OUILLET	OESE
J17.01.014	VA229	4 VITE AUTOFIETT. 4,8x38 UNI 6954/71	SCREW	VIS	SCHRAUBE
J17.01.015	SU424	1 SUPPORTO MANICO MONOSPAZZOLA	SUPPORT	SUPPORT	HALTER
J17.01.016	VC223	4 VITE CILIN.CROCE M6x20 UNI 7687	SCREW	VIS	SCHRAUBE
J17.01.017	MN025	1 MANICO SUPER IN PLASTICA NERO FORAT	BLACK PLASTIC HANDLE	POIGNEE NOIR	GRIFF
J17.01.018	VA250	2 VITE AUTOF TC CROCE 3,9X16 UNI 6954	SELF THREADING SCREW	VIS	SCHRAUBE
J17.01.019	PY308	1 FERMACAVO IN PLASTICA	CABLE HOLDER	ARRETE-CABLE	KABELSPERRE
J17.01.020	MN024	1 MANICO MONOSPAZZOLA	HANDLE	POIGNEE	GRIFF
J17.01.021	TI099	1 TIRANTE REGOLAZIONE MANICO	TIE ROD	TIRANT	SPANNSTANGE
J17.01.022	PY425	1 CAVO H05VV-F 3x1.5 L.15 MT. C/PRESA	CABLE	CABLE	KABEL
J17.01.023	PY309	1 PASSACAVO IN GOMMA NERA	BLACK RUBBER FAIRLEAD	PASSE-CABLE NOIR	KABELDURCHGANG
J17.01.024	PY280	1 PRESA 42RO4.2311 10A	SOCKET	PRISE	DOSE
J17.01.025	CO070	1 COPERCHIO PRESA CAVO ELETTRICO	SOCKET COVER	COUVERCLE	DECKEL
J17.01.026	VC202	2 VITE CILIN.CROCE M4x10 UNI 7687	SCREW M4x10	VIS	SCHRAUBE
J17.01.027	LV150	1 LEVA SBLOCCAGGIO ROTAZIONE MANICO	RELEASE LEVER	LEVIER	HEBEL
J17.01.028	VA250	2 VITE AUTOF TC CROCE 3,9X16 UNI 6954	SELF THREADING SCREW	VIS	SCHRAUBE
J17.01.029	PY308	1 FERMACAVO IN PLASTICA	CABLE HOLDER	ARRETE-CABLE	KABELSPERRE
J17.01.030	MN026	1 MANICO INFER IN PLASTICA NERO	BLACK PLASTIC HANDLE	POIGNEE NOIR	GRIFF
J17.01.031	LV149	2 LEVA COMANDO ROTAZIONE SPAZZOLA	CONTROL LEVER	LEVIER	HEBEL
J17.01.032	XD017	1 PERNO DENTATO ROTAZIONE MANICO	PIN	PIVOT	BOLZEN
J17.01.033	XD016	1 RUOTA DENTATA ROTAZIONE MANICO	PINION	PIGNON	RITZEL
J17.01.054	SP022	3 SPINA ELASTICA 6X36 UNI 6874/71	TENSION PIN	CONNECTEUR	SPANNSTIFT
J17.01.055	PY320	2 PRESSACAVO PG9	FAIRLEAD	PASSE-CABLE	KABELDURCHGANG
J17.01.056	VB231	3 VITE CIL. BRUGOLA M8x20 ZINCATA	SCREW	VIS	SCHRAUBE
J17.01.057	SU423	1 SUPPORTO RUOTA DENTATA	SUPPORT	SUPPORT	HALTER
J17.01.059	VC203	4 VITE CILIN.CROCE M4x20 UNI 7687	SCREW	VIS	SCHRAUBE
J17.01.061	VE464	4 VITE ESAGONALE M8x35 UNI 5737/77 IN	SCREW	VIS	SCHRAUBE
J17.01.062	SU268	1 SUPPORTO MICRO E COMANDO IN PLASTIC	SUPPORT	SUPPORT	HALTER
J17.01.063	GH014	2 GHIERA PASSACAVO PG9	FAIRLEAD RING NUT	EMBOUT	ZWINGE
J17.01.064	ML059	1 MOLLA RITORNO BLOCCO MANICO	SPRING	RESSORT	FEDER
J17.01.065	RO208	1 RONDELLA NORMALE DIAM. 17 UNI 6592/	WASHER	RONDELLE	SCHIBE
J17.01.070	VC202	1 VITE CILIN.CROCE M4x10 UNI 7687	SCREW M4x10	VIS	SCHRAUBE
J17.01.071	DD266	1 DADO CIECO M12 UNI 5721/69	CAP NUT	ECROU BORGNE	HUTMUTTER
J17.01.072	RO910	1 RONDELLA DENTATA DIAM.12 UNI 3706	WASHER	RONDELLE	SCHIBE
J17.01.073	DD212	1 DADO M12 SPESS.mm.8 UNI 5589/65	NUT	ECROU	MUTTER
J17.01.074	RO206	1 RONDELLA NORMALE DIAM. 12 UNI 6592/	WASHER	RONDELLE	SCHIBE
J17.01.075	VS223	1 VITE SVASATA A CROCE M6X18 UNI 7688	SCREW	VIS	SCHRAUBE
J17.01.076	RO206	1 RONDELLA NORMALE DIAM. 12 UNI 6592/	WASHER	RONDELLE	SCHIBE
J17.01.077	VE308	1 VITE ESAGONALE M12x75 UNI 5737/77 Z	SCREW	VIS	SCHRAUBE
J17.01.086	VC301	2 VITE TESTA CILIND.TAGLIO M3x16 UNI	SCREW	VIS	SCHRAUBE
J17.01.087	IN065	1 MICRO SICUREZZA PER 220V	MICRO SAFETY	MICRO SURETE	MIKROSCHALTER
J17.01.088	VG032	2 GRANO M8x12 UNI 5927/67	DOWEL	GRAIN	DUEBEL
J17.01.090	AL076	1 ASSALE MONOSPAZZOLA MOD.JOLLY D.12	SINGLE BRUSH	ESSIEU MONOBROSSE	EINZELBUERSTENACHSE
J17.01.096	VV244	1 VITE SVASATA BRUGOLA M8x35 UNI 5933	SCREW	VIS	SCHRAUBE
J17.01.097	KIT448	1 ASSEMBL. MANICO MONOSP. JOLLY C/CAV	ASSY	ASSEMBLAGE	DECKELZUSAMMENBAU
J17.01.098	VC202	1 VITE CILIN.CROCE M4x10 UNI 7687	SCREW M4x10	VIS	SCHRAUBE
J17.01.099	RO462	1 ROS. ELAST.DENT. FORMA A4 UNI8842 I	WASHER	RONDELLE	SCHIBE
J17.01.102	VA221	2 VITE AUTOFIETT. S/PUNTA 4,8x9,5	SCREW	VIS	SCHRAUBE
J17.01.103	MV055	1 BLOCCA CAVO ELETTRICO	CABLE RETAINER	ARRETE-CABLE	KABELSPERRE
J17.01.104	MI113	1 CAVALLOTTO SUPPORTO BLOCCA CAVO	BOLT	CAVALIER ARRETECABLE	BUEGELBOLZEN
J17.01.106	VC202	2 VITE CILIN.CROCE M4x10 UNI 7687	SCREW M4x10	VIS	SCHRAUBE
J17.01.108	TG049	1 TARGHETTA ADESIVA SL430	PLATE	PLAQUE	SCHILD
J17.01.109	ML114	1 MOLLA MICRO DI ACCENSIONE	SPRING	BESSORT	FEDER
J17.01.110	ML114	1 MOLLA MICRO DI ACCENSIONE	SPRING	BESSORT	FEDER
J17.01.111	ML114	1 MOLLA MICRO DI ACCENSIONE	SPRING	BESSORT	FEDER







N.Position	Code Num	Qta	Descrizione	Description	Description	Bezeichnung
J17.02.034	CO183	1	COPERHIO PROTEZIONE MOTORE IN ABS	COVER	COUVERCLE	TELLER
J17.02.035	CA141	1	CARTER APERTO PROTEZIONE MOTORE IN	MOTOR CASE	COUVERCLE	GEHAEUSE
J17.02.036	VS223	3	VITE SVASATA A CROCE M6X18 UNI 7688	SCREW	VIS	SCHRAUBE
J17.02.037	MV091	1	ZAVORRA PER MONOSPAZZOLA	WEIGHT	POIDS	DER KORPERDRUCK
J17.02.038	CA146	1	BASAMENTO PER JOLLY 17	CASE	COUVERCLE	BUERTENGEHAUSE
J17.02.039	BU013	1	BUMPER PER MONOSP. JOLLY17	BUMPER	GARDE-BOUE	PUFFER
J17.02.040	SZ015	1	SPAZZOLA NYLON 17" FORO D=102	NYLON BRUSH 17" WITHO	BROSSE	BURSTE
J17.02.040	SZ015A	1	SPAZZOLA ACCIAIO 17" FORO D=102	STEEL BRUSH 17" WITHO	BROSSE	BURSTE
J17.02.040	SZ015B	1	SPAZZOLA BASSINE 17" FORO D=102	BASSINE BRUSH 17" WIT	BROSSE	BURSTE
J17.02.040	SZ015C	1	SPAZZOLA CARBONIO 17" FORO D=102	TYNEX BRUSH 17" WITHO	BROSSE	BURSTE
J17.02.040	SZ015M	1	SPAZZOLA MOQUETTE 17" FORO D=102	CARPET BRUSH 17" WITH	BROSSE	BURSTE
J17.02.040	SZ015Y	1	SPAZZOLA NYLON/ACCIAIO 17" FORO D=1	NYLON/STEEL BRUSH 17"	BROSSE	BURSTE
J17.02.040	TS008	1	DISCO TRASCINATORE 17"	DRIVING PAD 17" WITHO	DISQUE ENTRAINEUR	MITNEHMERSCHEIBE
J17.02.041	RO301	2	RONDELLA SLARGATA DIAM.6x18 UNI 659	WASHER	RONDELLE	SCHEIBE
J17.02.042	RO254	2	RONDELLA SPACCATA DIAM. 6 UNI 1751	WASHER	RONDELLE	SCHEIBE
J17.02.043	VC224	2	VITE CILIN.CROCE M6x30 UNI 7687	SCREW	VIS	SCHRAUBE
J17.02.044	RO255	4	RONDELLA SPACCATA DIAM. 8 UNI 1751	WASHER	RONDELLE	SCHEIBE
J17.02.048	MP481	1	COND.MARCIA.30mF	GEAR CONDENSER	CONDENSATEUR MARCHE	GETRIEBEKONDENSATOR
J17.02.066	WB022	4	VITE BRUGOLA CIL.1/4"x1"1/4 BRUNITA	SCREW	VIS	SCHRAUBE
J17.02.067	RO254	4	RONDELLA SPACCATA DIAM. 6 UNI 1751	WASHER	RONDELLE	SCHEIBE
J17.02.068	RO301	4	RONDELLA SLARGATA DIAM.6x18 UNI 659	WASHER	RONDELLE	SCHEIBE
J17.02.069	MO398	1	MOTORIDUTTORE Kw 1,1 Hz50 V 230	GEARMOTOR	MOTOREDUCTEUR	GETRIEBEMOTOR
J17.02.078	VG021	2	GRANO M6x10 UNI 5927/67	DOWEL	GRAIN	DUEBEL
J17.02.079	DD205	4	DADO M8 UNI 5588/65	NUT	ECROU	MUTTER
J17.02.081	RO301	2	RONDELLA SLARGATA DIAM.6x18 UNI 659	WASHER	RONDELLE	SCHEIBE
J17.02.082	RO254	2	RONDELLA SPACCATA DIAM. 6 UNI 1751	WASHER	RONDELLE	SCHEIBE
J17.02.083	VC227	2	VITE CILIN.CROCE M6x25 UNI 7687	SCREW	VIS	SCHRAUBE
J17.02.084	FL019	1	FLANGIA SPAZZOLA	BRUSH LOCKING PLATE	FLASQUE	BUERSTENFLANSCH
J17.02.085	VS811	3	VITE SVASATA 5x20 FIL.RAP.	SCREW	VIS	SCHRAUBE
J17.02.089	KIT222	1	ASS SPAZZOLA NYLON 17" ATT V.C.	NYLON BRUSH ASSY 17"	ASS. BROSSE NYLON 17"	BUERSTENZUSAMMENBAU
J17.02.089	KIT222A	1	ASS SPAZZOLA ACCIAIO 17" ATT V.C.	STEEL BRUSH ASSY 17"	ASS.BROSSE	BUERSTENZUSAMMENBAU
J17.02.089	KIT222B	1	ASS SPAZZOLA BASSINE 17" ATT V.C.	POLISHING BRUSH ASSY	ASS. BROSSE BASSINE 1	BUERSTENZUSAMMENBAU
J17.02.089	KIT222C	1	ASS SPAZZOLA CARBONIO 17" ATT V.C.	TYNEX BRUSH ASSY 17"	ASS. BROSSE CHARBON 1	BUERSTENZUSAMMENBAU
J17.02.089	KIT222M	1	ASS SPAZZOLA MOQUETTE 17" ATT V.C.	CARPET BRUSH ASSY 17"	ASS. BROSSE MOQUETTE	BUERSTENZUSAMMENBAU
J17.02.089	KIT222Y	1	ASS SPAZZOLA NYLON/ACCIAIO 17" ATT	NYLON/STEEL BRUSH ASS	ASS.BROSSE	BUERSTENZUSAMMENBAU
J17.02.089	KIT223	1	ASS DISCO TRASCINATORE 17" FORO D=1	DRIVING PAD ASSY 17"	ASS.DISQUE ENTRAINEUR	SCHEIBENZUSAMMENBAU
J17.02.090	AL076	1	ASSALE MONOSPAZZOLA	WHEEL SHAFT	ARBRE ROUE	WELLE
J17.02.091	RT055	2	RUOTA MONOSPAZZOLA 125x12x32 SERIE	WHEEL 125x12x32	ROUE	RAD
J17.02.092	CF004	2	CUFFIA CAPPED D.12	CASING CAPPED D.12	PROTECTEUR	KASTEN
J17.02.093	ML022	1	MOLLA PER TUBO FLEX	SPRING	RESSORT	FEDER
J17.02.094	VS221	1	VITE SVASATA A CROCE M 6x12 UNI 768	SCREW	VIS	SCHRAUBE
J17.02.095	MP480	1	COND.AVVIAM.450mF	STARTING CONDENSER	CONDENSATEUR	KONDENSATOR





N.Position	Code Num	Qta	Descrizione	Description	Description	Bezeichnung
J17.03.001	VP028	2	VOLANTINO A 8 LOBI VPA25 M6x35	HANDWHEEL	VOLANT	HANDRAD
J17.03.002	RO203	2	RONDELLA NORMALE DIAM. 6 UNI 6592/6	WASHER D6	RONDELLE	SCHEIBE
J17.03.003	ST093	1	STAFFA FISSAGGIO SUPP.SERBATOIO	CASE BRACKET	SUPPORT	BUEGEL
J17.03.004	SU403	2	SUPPORTO SERBATOIO	SUPPORT	SUPPORT	HALTER
J17.03.005	RC035	1	RACCORDO INNESTO TUBO PIATTO SPAZZ.	UNION	RACCORD	ANSCHLUSS
J17.03.006	TB057	1	TUBO DIAM.10 L=560	PIPE	TUYAU	ROHR
J17.03.007	FS002	1	FASCETTA 12/20	CLAMP 12/20	BANDE	SCHELLE
J17.03.008	SB043	1	SERBATOIO IN PLASTICA MONOSPAZZOLA	PLASTIC TANK	RESERVOIR	BEHAELTER
J17.03.009	VA263	4	VITE AUTOF TC CROCE 3,5x38 UNI6954/	SCREW	VIS	SCHRAUBE
J17.03.010	SP035	1	SPINA ELASTICA 2,5x14 UNI 6874/71	TENSION PIN	CONNECTEUR	SPANNSTIFT
J17.03.011	MI058	1	CATENA A 12 MAGLIE 1,5x7,5x15,5	CHAIN	CHAINE	KETTE
J17.03.012	VC224	2	VITE CILIN.CROCE M6x30 UNI 7687	SCREW	VIS	SCHRAUBE
J17.03.013	RO203	2	RONDELLA NORMALE DIAM. 6 UNI 6592/6	WASHER D6	RONDELLE	SCHEIBE
J17.03.016	MN027	1	MANICOTTO ZIGRINATO FISS CATENELLA	KNURLED SLEEVE	MANCHON	MUFFE
J17.03.017	GH012	1	GHIERA ZIGRINATA FISS ASTA SERBATOI	KNURLED RING NUT	EMBOUT	GITTER
J17.03.018	TI100	1	TIRANTE RUBINETTO	TIE ROD	TIRANT	SPANNSTANGE
J17.03.019	SS005	1	SPINA CILIND IN OTTONE PER RUBINETT	BRASS PIN	CONNECTEUR	ZYLINDERSTIFT
J17.03.020	RB010	1	RUBINETTO SERBATOIO PARTE SUPERIORE	TANK VALVE	ROBINET	HAHN
J17.03.021	ML060	1	MOLLA RITORNO ASTA RUBINETTO	SPRING	RESSORT	FEDER
J17.03.022	GR026	1	GUARNIZIONE RUBINETTO	VALVE GASKET	GARNITURE	HANHDICHTUNG
J17.03.023	RB011	1	RUBINETTO SERBATOIO PARTE INFERIORE	TANK VALVE	ROBINET	HAHN
J17.03.026	KIT446	1	ASSEMBLAGGIO SERBATOIO E ATTACCHI	ASSY	ASSEMBLAGE	DECKELZUSAMMENBAU
J17.03.027	KIT445	1	KIT SUPPORTI SERBATOIO MONOSPAZZ.	SUPPORT KIT	KIT SUPPORT	KIT HALTER
J17.03.028	KIT257	1	ASSEMBLAGGIO SERBATOIO 12LT	TANK ASSY	ASS.RESERVOIR	BEHAELTERZUSAMMENBAU





N.Position	Code Num	Qta	Descrizione	Description	Description	Bezeichnung
J17.04.001	LP010	1	LAMPADA SPIA ROSSA 220V	RED PILOT LIGHT 220V	LAMPE VOYANT ROUGE	KONTROLLAMPE, ROT
J17.04.002	PY280	1	PRESA 42RO4.2311 10A	SOCKET	PRISE	DOSE
J17.04.003	PY307	1	SPINETTA MASCHIO 250V 10A	PLUG	CONNECTEUR	STECKER
J17.04.004	IN024	1	MICRO COMANDO ROTAZIONE SPAZZOLA	BRUSH ROT.MICRO CONTR	MICRO INTERRUPTEUR	MIKROSCHALTER
J17.04.005	PY425	1	CAVO H05VV-F 3x1.5 L.15C/PRESA CEI	CABLE / CEI PLUG	CABLE / PRISE CEI	KABEL / CEI STECKER
J17.04.006	IN025	1	MICRO SICUREZZA AH71865	MICRO SAFETY	MICRO SURETE	MIKROSCHALTER
J17.04.007	MP501	1	COND.AVVIAM.450mF	STARTING CONDENSER	CONDENSATEUR	KONDENSATOR
J17.04.008	MO398	1	MOTORIDUTTORE Kw 1,1 Hz50 V 230	GEARMOTOR	MOTOREDUCTEUR	GETRIEBEMOTOR
J17.04.009	MP481	1	COND.MARCIA.30mF	GEAR CONDENSER	CONDENSATEUR MARCHE	GETRIEBEKONDENSATOR
J17.04.010	MP503	1	RELAY AVVIAMENTO PARTE FISSA	START RELAY FIXED	RELAY DEMARR. FIXE	STARTRELAY UNBEWEGL.
J17.04.011	MP535	1	RELAY AVIAMENTO PARTE ROTANTE	START RELAY ROTATING	RELAY DEMARR. ROT.	STARTRELAY BEWEGL.
J17.04.012	PY740	1	CAVO C/PRESA 10A H05VVF 3x1.5x0.30	CABLE / 10A PLUG	CABLE / 10A PRISE	KABEL / 10A STECKER