

Clemas & Co Ltd

Industrial Cleaning Equipment
Sales - Hire - Service

JOLLY 17/2 PARTS MANUAL



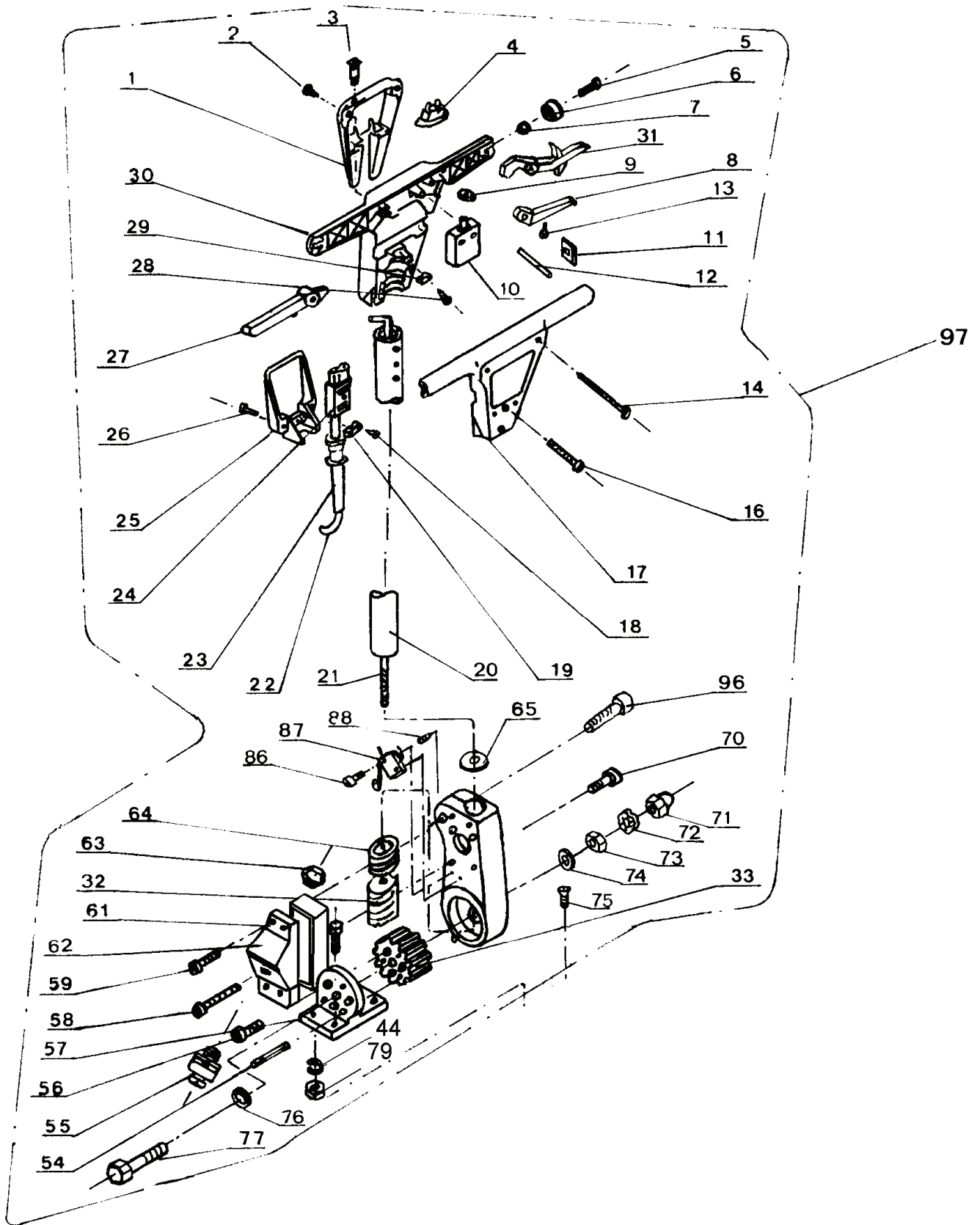
Clemas & Co. Unit 5 Ashchurch Business Centre, Alexandra Way, Tewkesbury,
Gloucestershire, GL20 8NB.

Tel: 01684 850777

Fax: 01684 850707

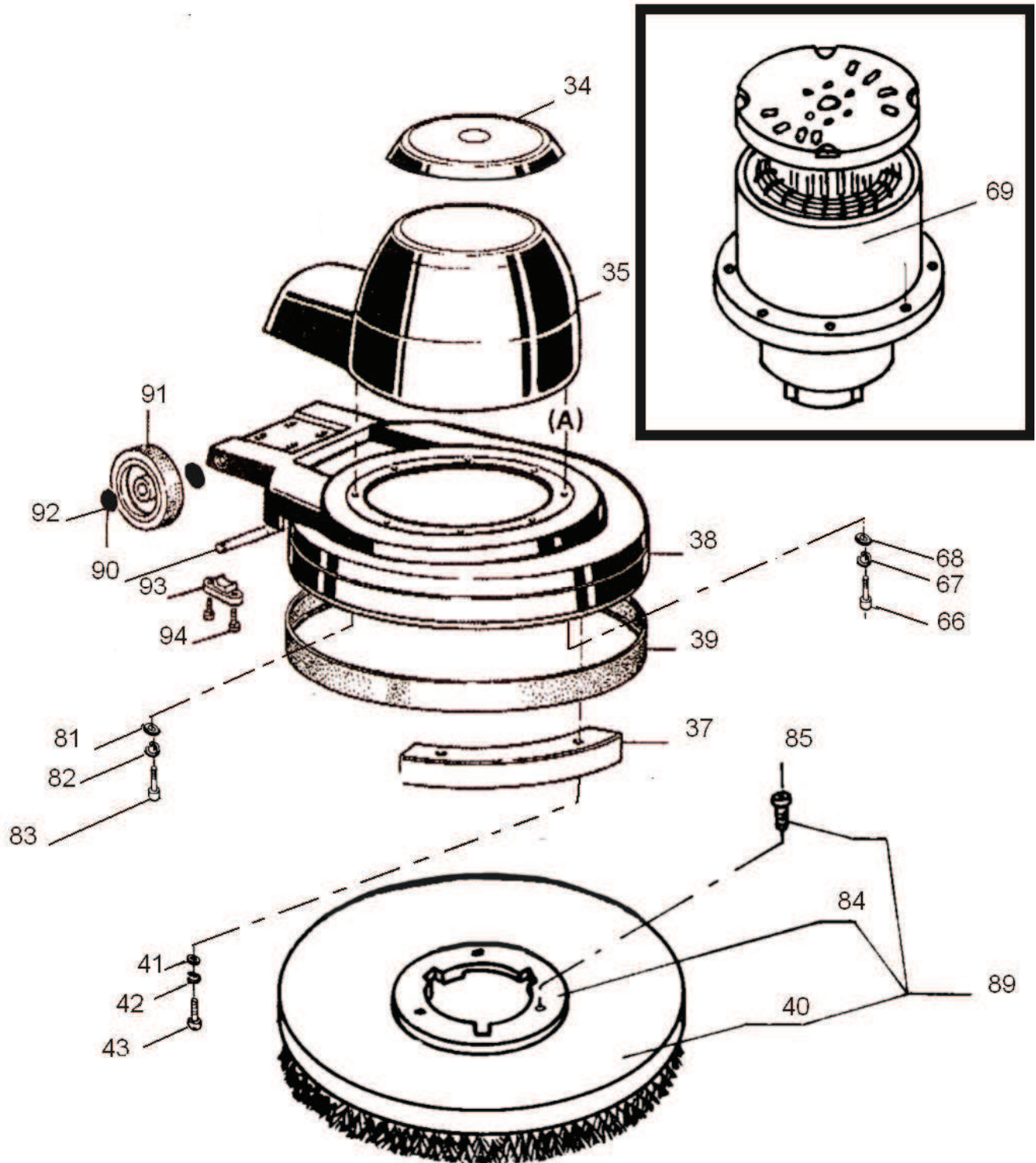
Email: info@clemas.co.uk

Web: www.clemas.co.uk



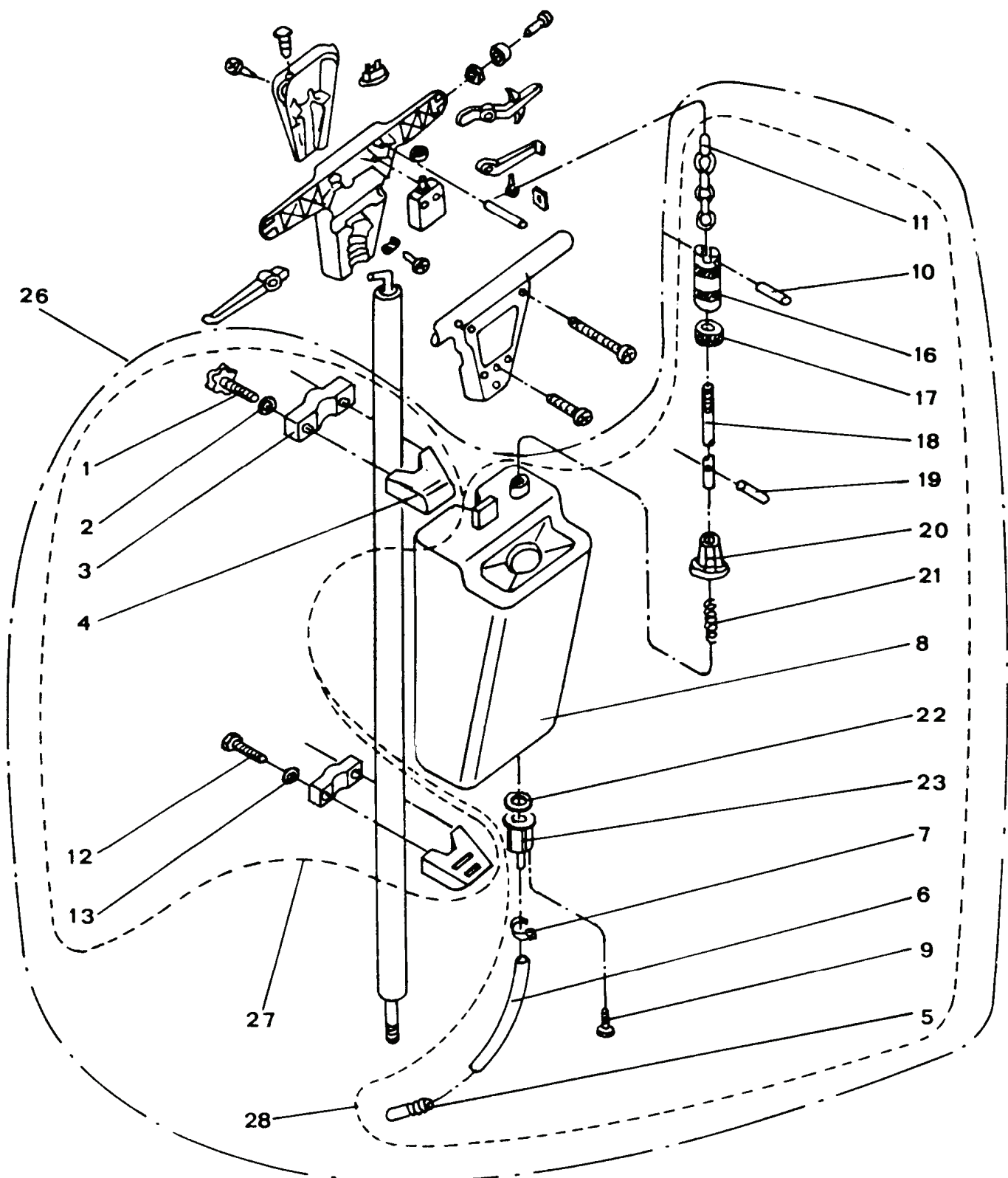


N.Position	Code Num Qta	Descrizione	Description	Description	Bezeichnung
.	KV511	1 IMBALLAGGIO COMPLETO	PACKING KIT	KIT EMBALLAGE	VERPACKUNGSKIT
.	MD001	20 MANODOPERA MINUTI	LABOUR MINUTES	MAIN D'OEUVRE	ARBEITSLOHN MINUTEN
J17.01.001	CO069	1 COPERCHIO SPINA CAVO ELETTRICO C/IN	PLUG COVER	COUVERCLE	DECKEL
J17.01.002	VA224	4 VITE AUTOFIETT.4,8x19 UNI 6954/71	SCREW	VIS	SCHRAUBE
J17.01.003	LP010	1 LAMPADA SPIA ROSSA 220V	RED PILOT LIGHT 220V	LAMPE VOYANT ROUGE	KONTROLLAMPE, ROT
J17.01.004	PY307	1 SPINETTA MASCHIO 250V 10A	PLUG	CONNECTEUR	STECKER
J17.01.005	VC223	2 VITE CILIN.CROCE M6x20 UNI 7687	SCREW	VIS	SCHRAUBE
J17.01.006	TA011	2 TAPPO MANICO	PLUG	BOUCHON	STOPFEN
J17.01.007	DD204	2 DADO M6 UNI 5588/65	NUT	ECROU	MUTTER
J17.01.008	LV148	1 LEVA SERBATOIO	TANK LEVER	LEVIER	BEHAELTERHEBEL
J17.01.009	CF006	1 RONDELLA ELASTICA CAPPED D.5,5	EL.WASHER CAPPED D.5,	RONDELLE	FEDERSCHEIBE
J17.01.010	IN024	1 MICRO COMANDO ROTAZIONE SPAZZOLA	BRUSH ROT.MICRO CONTR	MICRO INTERRUPTEUR	MIKROSCHALTER
J17.01.011	CO073	2 COPERCHIETTO LEVA	LEVER COVER	COUVERCLE	HEBELDECKEL
J17.01.012	SS004	3 SPINA CILINDRICA 6X50	PIN	CONNECTEUR	ZYLINDERSTIFT
J17.01.013	MI056	1 OCCHIELLO FILETTATO Di=5 2,3X4,5X12	THREADED EYELET	OUILLET	OESE
J17.01.014	VA229	4 VITE AUTOFIETT. 4,8x38 UNI 6954/71	SCREW	VIS	SCHRAUBE
J17.01.015	SU424	1 SUPPORTO MANICO MONOSPAZZOLA	SUPPORT	SUPPORT	HALTER
J17.01.016	VC223	4 VITE CILIN.CROCE M6x20 UNI 7687	SCREW	VIS	SCHRAUBE
J17.01.017	MN025	1 MANICO SUPER IN PLASTICA NERO FORAT	BLACK PLASTIC HANDLE	POIGNEE NOIR	GRIFF
J17.01.018	VA250	2 VITE AUTOF TC CROCE 3,9X16 UNI 6954	SELF THREADING SCREW	VIS	SCHRAUBE
J17.01.019	PY308	1 FERMACAVO IN PLASTICA	CABLE HOLDER	ARRETE-CABLE	KABELSPERRE
J17.01.020	MN024	1 MANICO MONOSPAZZOLA	HANDLE	POIGNEE	GRIFF
J17.01.021	TI099	1 TIRANTE REGOLAZIONE MANICO	TIE ROD	TIRANT	SPANNSTANGE
J17.01.022	PY425	1 CAVO H05VV-F 3x1.5 L.15 MT. C/PRESA	CABLE	CABLE	KABEL
J17.01.023	PY309	1 PASSACAVO IN GOMMA NERA	BLACK RUBBER FAIRLEAD	PASSE-CABLE	KABELDURCHGANG
J17.01.024	PY280	1 PRESA 42R04.2311 10A	SOCKET	PRISE	DOSE
J17.01.025	CO070	1 COPERCHIO PRESA CAVO ELETTRICO	SOCKET COVER	COUVERCLE	DECKEL
J17.01.026	VC202	2 VITE CILIN.CROCE M4x10 UNI 7687	SCREW M4x10	VIS	SCHRAUBE
J17.01.027	LV150	1 LEVA SBLOCCAGGIO ROTAZIONE MANICO	RELEASE LEVER	LEVIER	HEBEL
J17.01.028	VA250	2 VITE AUTOF TC CROCE 3,9X16 UNI 6954	SELF THREADING SCREW	VIS	SCHRAUBE
J17.01.029	PY308	1 FERMACAVO IN PLASTICA	CABLE HOLDER	ARRETE-CABLE	KABELSPERRE
J17.01.030	MN026	1 MANICO INFER IN PLASTICA NERO	BLACK PLASTIC HANDLE	POIGNEE NOIR	GRIFF
J17.01.031	LV149	2 LEVA COMANDO ROTAZIONE SPAZZOLA	CONTROL LEVER	LEVIER	HEBEL
J17.01.032	XD017	1 PERNO DENTATO ROTAZIONE MANICO	PIN	PIVOT	BOLZEN
J17.01.033	XD016	1 RUOTA DENTATA ROTAZIONE MANICO	PINION	PIGNON	RITZEL
J17.01.054	SP022	3 SPINA ELASTICA 6X36 UNI 6874/71	TENSION PIN	CONNECTEUR	SPANNSTIFT
J17.01.055	PY320	2 PRESSACAVO PG9	FAIRLEAD	PASSE-CABLE	KABELDURCHGANG
J17.01.056	VB231	3 VITE CIL. BRUGOLA M8x20 ZINCATA	SCREW	VIS	SCHRAUBE
J17.01.057	SU423	1 SUPPORTO RUOTA DENTATA	SUPPORT	SUPPORT	HALTER
J17.01.059	VC203	4 VITE CILIN.CROCE M4x20 UNI 7687	SCREW	VIS	SCHRAUBE
J17.01.061	VE464	4 VITE ESAGONALE M8x35 UNI 5737/77 IN	SCREW	VIS	SCHRAUBE
J17.01.062	SU268	1 SUPPORTO MICRO E COMANDO IN PLASTIC	SUPPORT	SUPPORT	HALTER
J17.01.063	GH014	2 GHIERA PASSACAVO PG9	FAIRLEAD RING NUT	EMBOUT	ZWINGE
J17.01.064	ML059	1 MOLLA RITORNO BLOCCO MANICO	SPRING	RESSORT	FEDER
J17.01.065	RO208	1 RONDELLA NORMALE DIAM. 17 UNI 6592/	WASHER	RONDELLE	SCHIEBE
J17.01.070	VC202	1 VITE CILIN.CROCE M4x10 UNI 7687	SCREW M4x10	VIS	SCHRAUBE
J17.01.071	DD266	1 DADO CIECO M12 UNI 5721/69	CAP NUT	ECROU BORGNE	HUTMUTTER
J17.01.072	RO910	1 RONDELLA DENTATA DIAM.12 UNI 3706	WASHER	RONDELLE	SCHIEBE
J17.01.073	DD212	1 DADO M12 SPESS.mm.8 UNI 5589/65	NUT	ECROU	MUTTER
J17.01.074	RO206	1 RONDELLA NORMALE DIAM. 12 UNI 6592/	WASHER	RONDELLE	SCHIEBE
J17.01.075	VS223	1 VITE SVASATA A CROCE M6X18 UNI 7688	SCREW	VIS	SCHRAUBE
J17.01.076	RO206	1 RONDELLA NORMALE DIAM. 12 UNI 6592/	WASHER	RONDELLE	SCHIEBE
J17.01.077	VE308	1 VITE ESAGONALE M12x75 UNI 5737/77 Z	SCREW	VIS	SCHRAUBE
J17.01.086	VC301	2 VITE TESTA CILIND.TAGLIO M3x16 UNI	SCREW	VIS	SCHRAUBE
J17.01.087	IN065	1 MICRO SICUREZZA PER 220V	MICRO SAFETY	MICRO SURETE	MIKROSCHALTER
J17.01.088	VG032	2 GRANO M8x12 UNI 5927/67	DOWEL	GRAIN	DUEBEL
J17.01.090	AL076	1 ASSALE MONOSPAZZOLA MOD.JOLLY D.12	SINGLE BRUSH	ESSIEU MONOBROSSE	EINZELBUERSTENACHSE
J17.01.096	VV244	1 VITE SVASATA BRUGOLA M8x35 UNI 5933	SCREW	VIS	SCHRAUBE
J17.01.097	KIT448	1 ASSEMBL. MANICO MONOSP. JOLLY C/CAV	ASSY	ASSEMBLAGE	DECKELZUSAMMENBAU
J17.01.098	VC202	1 VITE CILIN.CROCE M4x10 UNI 7687	SCREW M4x10	VIS	SCHRAUBE
J17.01.099	RO462	1 ROS. ELAST.DENT. FORMA A4 UNI8842 I	WASHER	RONDELLE	SCHIEBE
J17.01.102	VA221	2 VITE AUTOFIETT. S/PUNTA 4,8x9,5	SCREW	VIS	SCHRAUBE
J17.01.103	MV055	1 BLOCCA CAVO ELETTRICO	CABLE RETAINER	ARRETE-CABLE	KABELSPERRE
J17.01.104	MI113	1 CAVALLOTTO SUPPORTO BLOCCA CAVO	BOLT	CAVALIER ARRETECABLE	BUEGELBOLZEN
J17.01.106	VC202	2 VITE CILIN.CROCE M4x10 UNI 7687	SCREW M4x10	VIS	SCHRAUBE
J17.01.108	TG049	1 TARGHETTA ADESIVA SL430	PLATE	PLAQUE	SCHILD
J17.01.109	ML114	1 MOLLA MICRO DI ACCENSIONE	SPRING	BESSORT	FEDER
J17.01.110	ML114	1 MOLLA MICRO DI ACCENSIONE	SPRING	BESSORT	FEDER
J17.01.111	ML114	1 MOLLA MICRO DI ACCENSIONE	SPRING	BESSORT	FEDER



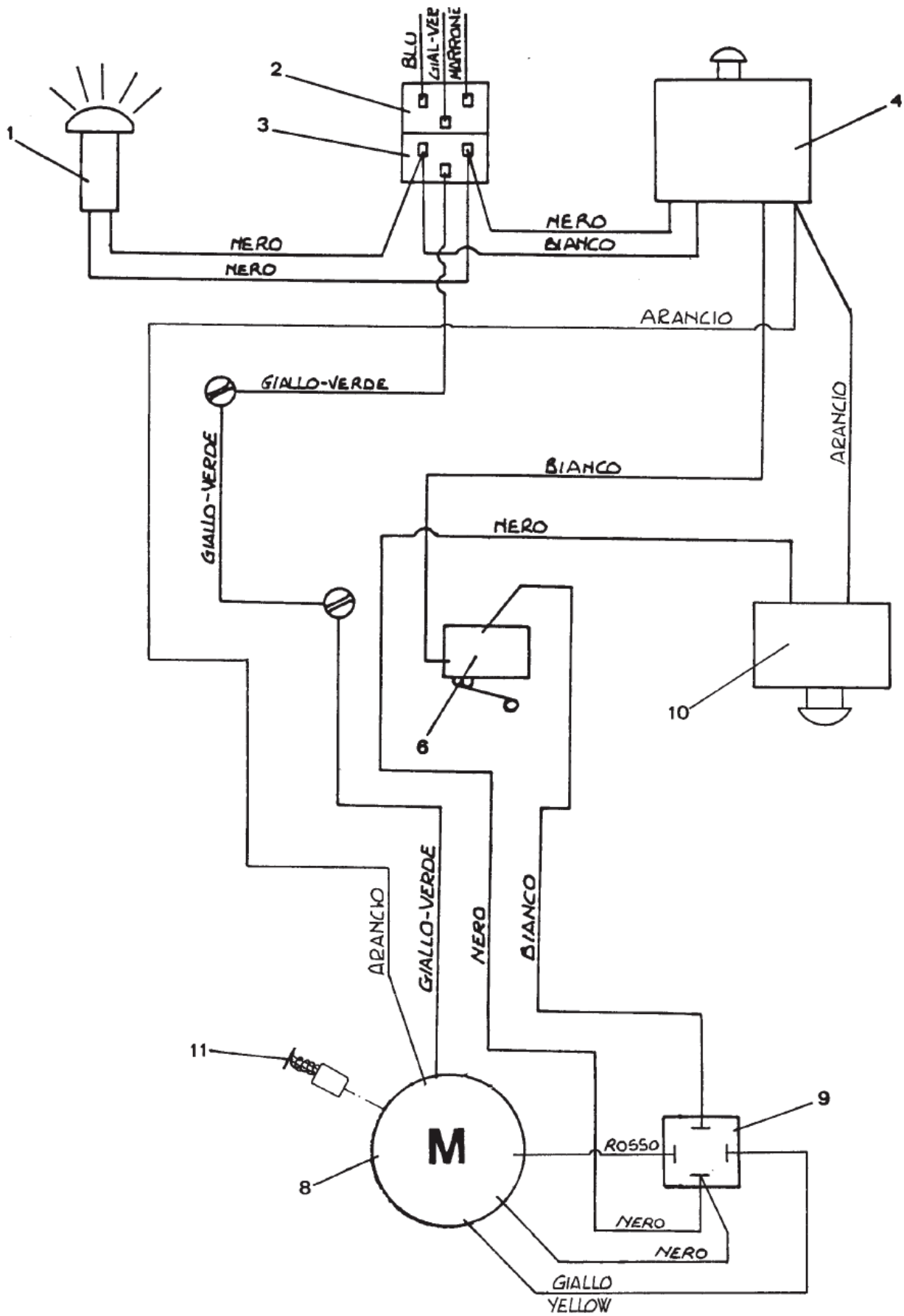


N.Position	Code Num	Qta	Descrizione	Description	Description	Bezeichnung
J17.02.034	CO182	1	COPERHIO PROTEZIONE MOTORE IN ABS	COVER	COUVERCLE	TELLER
J17.02.035	CA140	1	CARTER CHIUSO PROTEZIONE MOTORE IN	MOTOR CASE	COUVERCLE	GEHAEUSE
J17.02.036	VS223	3	VITE SVASATA A CROCE M6X18 UNI 7688	SCREW	VIS	SCHRAUBE
J17.02.037	MV091	1	ZAVORRA PER MONOSPAZZOLA	WEIGHT	POIDS	DER KORPERDRUCK
J17.02.038	CA146	1	BASAMENTO PER JOLLY	CASE	COUVERCLE	BUERTENGEHAUSE
J17.02.039	BU013	1	BUMPER PER MONOSP. JOLLY	BUMPER	GARDE-BOUE	PUFFER
J17.02.040	SZ015	1	SPAZZOLA NYLON 17" FORO D=102	NYLON BRUSH 17" WITHO	BROSSE	BURSTE
J17.02.040	SZ015A	1	SPAZZOLA ACCIAIO 17" FORO D=102	STEEL BRUSH 17" WITHO	BROSSE	BURSTE
J17.02.040	SZ015B	1	SPAZZOLA BASSINE 17" FORO D=102	BASSINE BRUSH 17" WIT	BROSSE	BURSTE
J17.02.040	SZ015C	1	SPAZZOLA CARBONIO 17" FORO D=102	TYNEX BRUSH 17" WITHO	BROSSE	BURSTE
J17.02.040	SZ015M	1	SPAZZOLA MOQUETTE 17" FORO D=102	CARPET BRUSH 17" WITH	BROSSE	BURSTE
J17.02.040	SZ015Y	1	SPAZZOLA NYLON/ACCIAIO 17" FORO D=1	NYLON/STEEL BRUSH 17"	BROSSE	BURSTE
J17.02.040	TS008	1	DISCO TRASCINATORE 17"	DRIVING PAD 17" WITHO	DISQUE ENTRAINEUR	MITNEHMERSCHEIBE
J17.02.041	RO301	2	RONDELLA SLARGATA DIAM.6x18 UNI 659	WASHER	RONDELLE	SCHLEIBE
J17.02.042	RO254	2	RONDELLA SPACCATA DIAM. 6 UNI 1751	WASHER	RONDELLE	SCHLEIBE
J17.02.043	VC224	2	VITE CILIN.CROCE M6x30 UNI 7687	SCREW	VIS	SCHRAUBE
J17.02.044	RO255	4	RONDELLA SPACCATA DIAM. 8 UNI 1751	WASHER	RONDELLE	SCHLEIBE
J17.02.066	WB022	4	VITE BRUGOLA CIL.1/4"x1"1/4 BRUNITA	SCREW	VIS	SCHRAUBE
J17.02.067	RO254	4	RONDELLA SPACCATA DIAM. 6 UNI 1751	WASHER	RONDELLE	SCHLEIBE
J17.02.068	RO301	4	RONDELLA SLARGATA DIAM.6x18 UNI 659	WASHER	RONDELLE	SCHLEIBE
J17.02.069	MO122	1	MOTORE 2 VELOCITA 1.5HP 220V	GEARMOTOR	MOTOREDUCTEUR	GETRIEBEMOTOR
J17.02.078	VG021	2	GRANO M6x10 UNI 5927/67	DOWEL	GRAIN	DUEBEL
J17.02.079	DD205	4	DADO M8 UNI 5588/65	NUT	ECROU	MUTTER
J17.02.081	RO301	2	RONDELLA SLARGATA DIAM.6x18 UNI 659	WASHER	RONDELLE	SCHLEIBE
J17.02.082	RO254	2	RONDELLA SPACCATA DIAM. 6 UNI 1751	WASHER	RONDELLE	SCHLEIBE
J17.02.083	VC227	2	VITE CILIN.CROCE M6x25 UNI 7687	SCREW	VIS	SCHRAUBE
J17.02.084	FL019	1	FLANGIA SPAZZOLA	BRUSH LOCKING PLATE	FLASQUE	BUERSTENFLANSCH
J17.02.085	VS811	3	VITE SVASATA 5x20 FIL.RAP.	SCREW	VIS	SCHRAUBE
J17.02.089	KIT222	1	ASS SPAZZOLA NYLON 17" ATT V.C.	NYLON BRUSH ASSY 17"	ASS. BROSSE NYLON 17"	BUERSTENZUSAMMENBAU
J17.02.089	KIT222A	1	ASS SPAZZOLA ACCIAIO 17" ATT V.C.	STEEL BRUSH ASSY 17"	ASS.BROSSE	BUERSTENZUSAMMENBAU
J17.02.089	KIT222B	1	ASS SPAZZOLA BASSINE 17" ATT V.C.	POLISHING BRUSH ASSY	ASS. BROSSE BASSINE 1	BUERSTENZUSAMMENBAU
J17.02.089	KIT222C	1	ASS SPAZZOLA CARBONIO 17" ATT V.C.	TYNEX BRUSH ASSY 17"	ASS. BROSSE CHARBON 1	BUERSTENZUSAMMENBAU
J17.02.089	KIT222M	1	ASS SPAZZOLA MOQUETTE 17" ATT V.C.	CARPET BRUSH ASSY 17"	ASS. BROSSE MOQUETTE	BUERSTENZUSAMMENBAU
J17.02.089	KIT222Y	1	ASS SPAZZOLA NYLON/ACCIAIO 17" ATT	NYLON/STEEL BRUSH ASS	ASS.BROSSE	BUERSTENZUSAMMENBAU
J17.02.089	KIT223	1	ASS DISCO TRASCINATORE 17" FORO D=1	DRIVING PAD ASSY 17"	ASS.DISQUE ENTRAINEUR	SCHLEIBENZUSAMMENBAU
J17.02.090	AL076	1	ASSALE MONOSPAZZOLA	WHEEL SHAFT	ARBRE ROUE	WELLE
J17.02.091	RT055	2	RUOTA MONOSPAZZOLA 125x12x32 SERIE	WHEEL 125x12x32	ROUE	RAD
J17.02.092	CF004	2	CUFFIA CAPPED D.12	CASING CAPPED D.12	PROTECTEUR	KASTEN
J17.02.093	ML022	1	MOLLA PER TUBO FLEX	SPRING	RESSORT	FEDER
J17.02.094	VS221	1	VITE SVASATA A CROCE M 6x12 UNI 768	SCREW	VIS	SCHRAUBE





N.Position	Code Num	Qta	Descrizione	Description	Description	Bezeichnung
J17.03.001	VP028	2	VOLANTINO A 8 LOBI VPA25 M6x35	HANDWHEEL	VOLANT	HANDRAD
J17.03.002	RO203	2	RONDELLA NORMALE DIAM. 6 UNI 6592/6	WASHER D6	RONDELLE	SCHEIBE
J17.03.003	ST093	1	STAFFA FISSAGGIO SUPP.SERBATOIO	CASE BRACKET	SUPPORT	BUEGEL
J17.03.004	SU403	2	SUPPORTO SERBATOIO	SUPPORT	SUPPORT	HALTER
J17.03.005	RC035	1	RACCORDO INNESTO TUBO PIATTO SPAZZ.	UNION	RACCORD	ANSCHLUSS
J17.03.006	TB057	1	TUBO DIAM.10 L=560	PIPE	TUYAU	ROHR
J17.03.007	FS002	1	FASCETTA 12/20	CLAMP 12/20	BANDE	SCHELLE
J17.03.008	SB043	1	SERBATOIO IN PLASTICA MONOSPAZZOLA	PLASTIC TANK	RESERVOIR	BEHAELTER
J17.03.009	VA263	4	VITE AUTOF TC CROCE 3,5x38 UNI6954/	SCREW	VIS	SCHRAUBE
J17.03.010	SP035	1	SPINA ELASTICA 2,5x14 UNI 6874/71	TENSION PIN	CONNECTEUR	SPANNSTIFT
J17.03.011	MI058	1	CATENA A 12 MAGLIE 1,5x7,5x15,5	CHAIN	CHAINE	KETTE
J17.03.012	VC224	2	VITE CILIN.CROCE M6x30 UNI 7687	SCREW	VIS	SCHRAUBE
J17.03.013	RO203	2	RONDELLA NORMALE DIAM. 6 UNI 6592/6	WASHER D6	RONDELLE	SCHEIBE
J17.03.016	MN027	1	MANICOTTO ZIGRINATO FISS CATENELLA	KNURLED SLEEVE	MANCHON	MUFFE
J17.03.017	GH012	1	GHIERA ZIGRINATA FISS ASTA SERBATOI	KNURLED RING NUT	EMBOUT	GITTER
J17.03.018	TI100	1	TIRANTE RUBINETTO	TIE ROD	TIRANT	SPANNSTANGE
J17.03.019	SS005	1	SPINA CILIND IN OTTONE PER RUBINETT	BRASS PIN	CONNECTEUR	ZYLINDERSTIFT
J17.03.020	RB010	1	RUBINETTO SERBATOIO PARTE SUPERIORE	TANK VALVE	ROBINET	HAHN
J17.03.021	ML060	1	MOLLA RITORNO ASTA RUBINETTO	SPRING	RESSORT	FEDER
J17.03.022	GR026	1	GUARNIZIONE RUBINETTO	VALVE GASKET	GARNITURE	HANHDICHTUNG
J17.03.023	RB011	1	RUBINETTO SERBATOIO PARTE INFERIORE	TANK VALVE	ROBINET	HAHN
J17.03.026	KIT446	1	ASSEMBLAGGIO SERBATOIO E ATTACCHI	ASSY	ASSEMBLAGE	DECKELZUSAMMENBAU
J17.03.027	KIT445	1	KIT SUPPORTI SERBATOIO MONOSPAZZ.	SUPPORT KIT	KIT SUPPORT	KIT HALTER
J17.03.028	KIT257	1	ASSEMBLAGGIO SERBATOIO 12LT	TANK ASSY	ASS.RESERVOIR	BEHAELTERZUSAMMENBAU
J17.03.029	GR131	1	GUARNIZIONE ASTA SERBATOIO	GASKET	GARNITURE	AUGEDICHTUN
J17.03.030	ST094	1	STAFFA AVVOLGICAVO	BRACKET	SUPPORT	BUEGEL





N.Position	Code Num	Qta	Descrizione	Description	Description	Bezeichnung
J17.04.001	LP010	1	LAMPADA SPIA ROSSA 220V	RED PILOT LIGHT 220V	LAMPE VOYANT ROUGE	KONTROLLAMPE, ROT
J17.04.002	PY280	1	PRESA 42RO4.2311 10A	SOCKET	PRISE	DOSE
J17.04.003	PY307	1	SPINETTA MASCHIO 250V 10A	PLUG	CONNECTEUR	STECKER
J17.04.004	IN024	1	MICRO COMANDO ROTAZIONE SPAZZOLA	BRUSH ROT.MICRO CONTR	MICRO INTERRUPTEUR	MIKROSCHALTER
J17.04.006	IN025	1	MICRO SICUREZZA AH71865	MICRO SAFETY	MICRO SURETE	MIKROSCHALTER
J17.04.008	MO122	1	MOTORE 2 VELOCITA 1.5 HP 220V	GEARMOTOR	MOTOREDUCTEUR	GETRIEBEMOTOR
J17.04.009	PY365	1	RADDRIZZATORE 9217	RACTIFIER	REDRESSEUR	GEICHRICHTER
J17.04.010	IN032	1	INTERRUTTORE 220V	SWITCH	INTERUPTEUR	SCHALTER
J17.04.011	MP138	4	CARBONCINO MOTORE MONOSPAZ. HS	BRUSH MOTOR	CHARBON MOTEUR	MOTORBURSTE