



# Clemas & Co Ltd

Industrial Cleaning Equipment  
Sales - Hire - Service

## KERSTAR KAV 15, 20, 30 & 45H VACUUM CLEANER PARTS MANUAL



Clemas & Co. Unit 5 Ashchurch Business Centre, Alexandra Way, Tewkesbury,  
Gloucestershire, GL20 8NB.

Tel: 01684 850777

Fax: 01684 850707

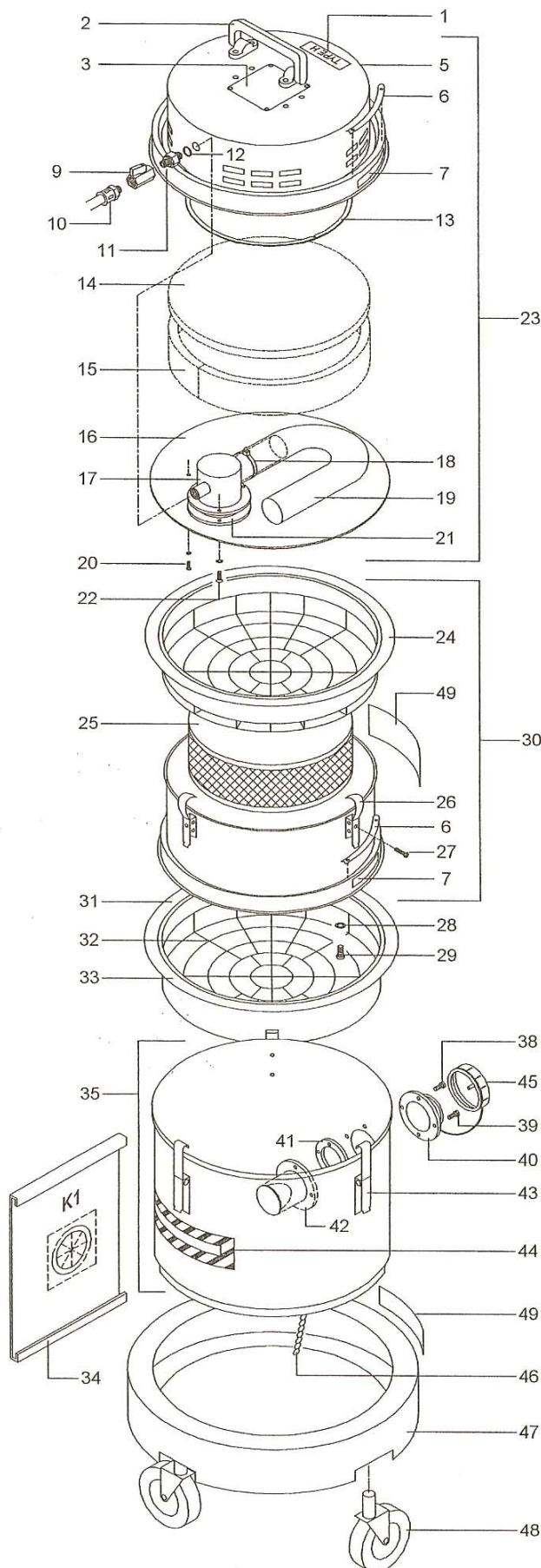
Email: [info@clemas.co.uk](mailto:info@clemas.co.uk)

Web: [www.clemas.co.uk](http://www.clemas.co.uk)

# KAV15H

CE Ex II 2 GD c IIC 50°C (T6)

ATEX CATEGORY 2 (GAS ZONE 1/DUST ZONE 21)



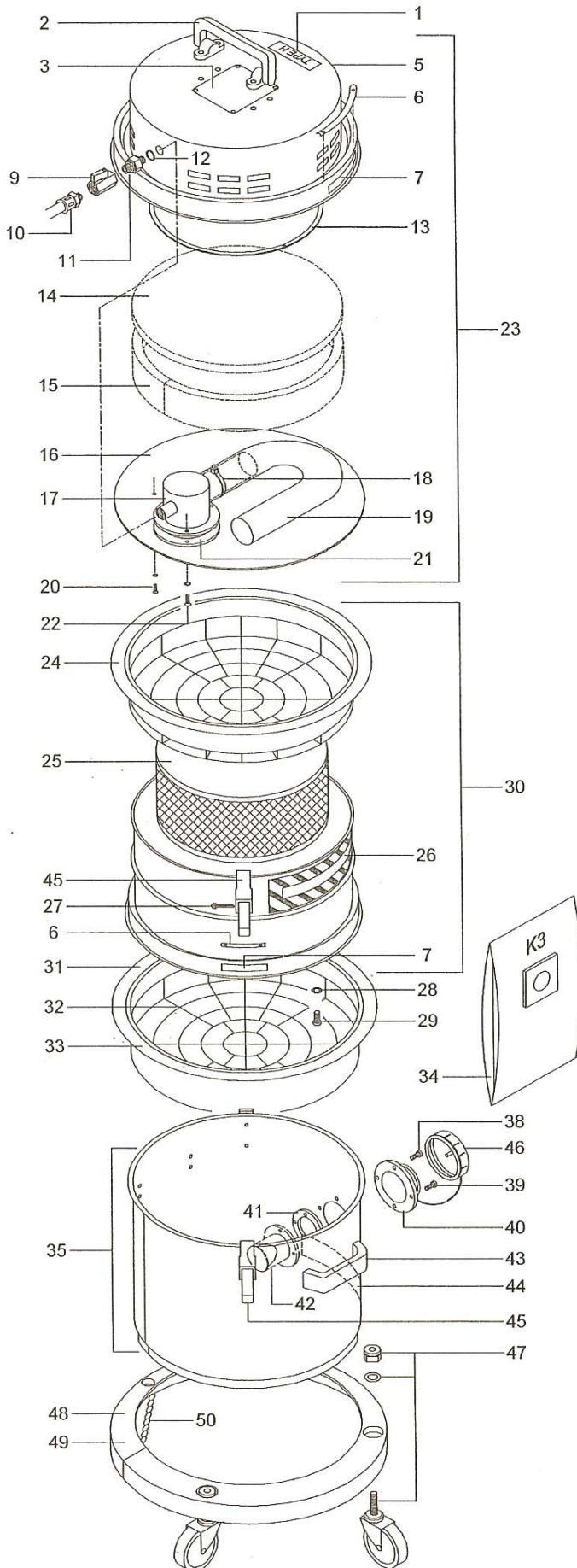
ITEM	QTY	DESCRIPTION
1	1	'TYPE H' LABEL (<20cm <sup>2</sup> )
2	1	ANTI-STATIC FLIP FLOP HANDLE ASSEMBLY
3	1	RATING PLATE (ATEX CATEGORY 2) FOR DRY MODELS
4		NOT APPLICABLE TO THIS MODEL
5	1	TOP COVER INC HANDLE FOR KAV15 & KAV18 DRY & WET/DRY
6	2	EARTHING STRIP, CURVED TYPE (INC. RIVETS)
7	2	'CLIP HERE TO EARTH BOND CAN' BLACK ON YELLOW LABEL (<20cm <sup>2</sup> )
8		NOT APPLICABLE TO THIS MODEL
9	1	BALL VALVE
10	1	AIR SUPPLY HOSE ANTI-STATIC 5m LONG
11	1	1/4" BSP MALE TO MALE HEXAGON NIPPLE
12	2	SOFT METAL WASHER
13	1	800 x 4 x 6mm FOAM RUBBER SEAL
14	1	FOAM SILENCING CIRCULAR FOR KAV15 & 18
15	1	FOAM SILENCING RECTANGULAR FOR KAV15 & 18
16	1	AIR MOTOR PLATE FOR KV15 & 18
17	1	AIR MOTOR
18	1	TYRAP TO RETAIN SOUND ATTENUATION HOSE
19	1	500 x 38mm SOUND ATTENUATION HOSE
20	4	M4 x 12 PAN HEAD POZI SCREW AND LOCKING WASHER
21	1	GASKET FOR AIR MOTOR
22	3	M5 x 16 PAN HEAD POZI SCREW AND LOCKING WASHER
23	1	AIR VAC MOTOR HEAD ASSEMBLY (INC. AIR SUPPLY HOSE) FOR KAV15H & KAV18H (ATEX CATEGORY 2)
24	1	12" ANTI-STATIC SEALING RING AND FRAME FOR KAV15H & KAV18H
25	1	TYPE H FILTER CARTRIDGE WITH ANTI-STATIC END CAPS FOR KAV15H & KAV18H
26	3	CLIP TO SUIT KV15H & KAV15H WITH LOCK DOWN FACILITY
27	3	M4 x 20 PAN POZI SCREW & RETAINING RING
28	6	M5 INTERNAL SHAKEPROOF WASHER BZP
29	6	M5 x 16 PAN HEAD POZI SCREW BZP
30	1	COMPLETE TYPE H CARTRIDGE UNIT FOR KAV15H & 18H (INC ITEM No. 24, 25, 26, 27, 6, 7, 28, 29 & 48)
31	1	12" ANTI-STATIC FILTER CLOTH ONLY
32	1	12" ANTI-STATIC FILTER FRAME
33	1	12" ANTI-STATIC FILTER ASSEMBLY
34	1	K1 PAPER BAG (PACKET OF 10)
35	1	KAV15H CAN ASSEMBLY (ATEX CATEGORY 2)
36		NOT APPLICABLE TO THIS MODEL
37		NOT APPLICABLE TO THIS MODEL
38	2	M5 x 20 PAN POZI STAINLESS STEEL
39	2	M5 x 16 PAN POZI STAINLESS STEEL
40	1	ANTI-STATIC HOSE ENTRY SPIGOT OUTER
41	1	HOSE ENTRY SPIGOT RETAINER
42	1	PAPER BAG/DEFLECTOR STAINLESS STEEL (ATEX CATEGORY 2)
43	3	CLIP TO SUIT KAV15/18
44	1	RED ON WHITE TYPE H SELF ADHESIVE WARNING LABEL (ATEX CATEGORY 2)
45	1	ANTI-STATIC BLANKING CAP ASSEMBLY
46	1	EARTH CHAIN AND SELF TAP SCREW (NOT USED WITH CONDUCTIVE CASTORS)
47	1	12" ANTI-STATIC CHASSIS (EXCL. CASTORS)
48A	4	75mm PUSH IN CASTOR
48B	4	75mm CONDUCTIVE PUSH IN CASTOR
49	1	'KERSTAR' RED LABEL (ATEX CATEGORY 2)

NOTE: MAY 2008,  
NON CONDUCTIVE CASTORS REPLACED  
WITH CONDUCTIVE CASTORS.



# KAV20H

CE Ex II 2 GD c IIC 50°C (T6)  
ATEX CATEGORY 2 (GAS ZONE 1/DUST ZONE 21)



ITEM	QTY	DESCRIPTION
1	1	'TYPE H' LABEL (<20cm <sup>2</sup> )
2	1	ANTI-STATIC FLIP FLOP HANDLE ASSEMBLY
3	1	RATING PLATE (ATEX CATEGORY 2) FOR DRY MODELS
4		NOT APPLICABLE TO THIS MODEL
5	1	TOP COVER INC HANDLE FOR KAV20 & KAV30 AND KAV45 DRY & WET/DRY
6	2	EARTHING STRIP, CURVED TYPE (INC. RIVETS)
7	2	'CLIP HERE TO EARTH BOND CAN' BLACK ON YELLOW LABEL (<20cm <sup>2</sup> )
8		NOT APPLICABLE TO THIS MODEL
9	1	BALL VALVE
10	1	AIR SUPPLY HOSE ANTI-STATIC 5m LONG
11	1	1/4" BSP MALE TO MALE HEXAGON NIPPLE
12	2	SOFT METAL WASHER
13	1	850 x 4 x 6mm FOAM RUBBER SEAL
14	1	FOAM SILENCING CIRCULAR FOR KAV20 - 45
15	1	FOAM SILENCING RECTANGULAR FOR KAV20 - 45
16	1	AIR MOTOR PLATE FOR KV20 - 45
17	1	AIR MOTOR
18	1	TYRAP TO RETAIN SOUND ATTENUATION HOSE
19	1	500 x 38mm SOUND ATTENUATION HOSE
20	4	M4 x 12 PAN HEAD POZI SCREW AND LOCKING WASHER
21	1	GASKET FOR AIR MOTOR
22	3	M5 x 16 PAN HEAD POZI SCREW AND LOCKING WASHER
23	1	AIR VAC MOTOR HEAD ASSEMBLY (INC. AIR SUPPLY HOSE) FOR KAV20 - 45H (ATEX CATEGORY 2)
24	1	14" ANTI-STATIC SEALING RING AND FRAME
25	1	TYPE H FILTER CARTRIDGE WITH ANTI-STATIC END CAPS FOR KAV20, 30 AND 45H
26	1	RED ON WHITE TYPE H WARNING PLATE (ATEX CATEGORY 2)
27	2	SPLIT PIN
28	6	M5 INTERNAL SHAKEPROOF WASHER BZP
29	6	M5 x 6 PAN HEAD POZI SCREW BZP
30	1	COMPLETE TYPE H CARTRIDGE UNIT FOR KAV20, 30 AND 45H (INC ITEM No. 24, 25, 26, 27, 6, 7, 28, 29 & 45)
31	1	14" ANTI-STATIC FILTER CLOTH ONLY
32	1	14" ANTI-STATIC FILTER FRAME
33	1	14" ANTI-STATIC FILTER ASSEMBLY
34	1	K3 PAPER BAG (PACKET OF 10)
35	1	KAV20H CAN ASSEMBLY (ATEX CATEGORY 2)
36		NOT APPLICABLE TO THIS MODEL
37		NOT APPLICABLE TO THIS MODEL
38	2	M5 x 20 PAN POZI STAINLESS STEEL
39	2	M5 x 16 PAN POZI STAINLESS STEEL
40	1	ANTI-STATIC HOSE ENTRY SPIGOT OUTER
41	1	HOSE ENTRY SPIGOT RETAINER
42	1	PAPER BAG TUBE/DEFLECTOR STAINLESS STEEL (ATEX CATEGORY 2)
43	2	ANTI-STATIC CURVED SURFACE HANDLE WITH SCREWS AND WASHERS
44	1	'KERSTAR' RED LABEL (ATEX CATEGORY 2)
45	4	CLIP TO SUIT METAL HEAD
46	1	ANTI-STATIC BLANKING CAP ASSEMBLY
47A	4	75mm CHASSIS CASTOR WITH NUT, BOLT AND WASHER
47B	3	75mm CONDUCTIVE CHASSIS CASTOR (UNBRAKED) WITH NUT, BOLT AND WASHER
47C	1	75mm CONDUCTIVE CHASSIS CASTOR (BRAKED) WITH NUT, BOLT AND WASHER
48A	1	14" ANTI-STATIC CHASSIS ASSEMBLY FOR KAV20 (INCLUDING CASTORS AND CHAIN)
48B	1	14" ANTI-STATIC CHASSIS ASSEMBLY FOR KAV20 WITH (1 x BRAKED) CONDUCTIVE CASTOR AND (3 x UNBRAKED) CONDUCTIVE CASTOR
49	1	14" ANTI-STATIC CHASSIS MOULDING ONLY
50	1	EARTH CHAIN (NOT USED WITH CONDUCTIVE CASTORS)

NOTE: MAY 2008,  
NON CONDUCTIVE CASTORS REPLACED  
WITH CONDUCTIVE CASTORS.

# KAV30 & 45H

CE Ex II 2 GD c IIC 50°C (T6)

ATEX CATEGORY 2 (GAS ZONE 1/DUST ZONE 21)

**ITEM QTY DESCRIPTION**

ITEM	QTY	DESCRIPTION
1	1	'TYPE H' LABEL (<20cm <sup>2</sup> )
2	1	ANTI-STATIC FLIP FLOP HANDLE ASSEMBLY
3	1	RATING PLATE (ATEX CATEGORY 2) FOR DRY MODELS
4		NOT APPLICABLE TO THIS MODEL
5	1	TOP COVER INC HANDLE FOR KAV20 & KAV30 AND KAV45 DRY & WET/DRY
6	2	EARTHING STRIP, CURVED TYPE (INC. RIVETS)
7	2	'CLIP HERE TO EARTH BOND CAN' BLACK ON YELLOW LABEL (<20cm <sup>2</sup> )
8		NOT APPLICABLE TO THIS MODEL
9	1	BALL VALVE
10	1	AIR SUPPLY HOSE ANTI-STATIC 5m LONG
11	1	1/4" BSP MALE TO MALE HEXAGON NIPPLE
12	2	SOFT METAL WASHER
13	1	850 x 4 x 6mm FOAM RUBBER SEAL
14	1	FOAM SILENCING CIRCULAR FOR KAV20 - 45
15	1	FOAM SILENCING RECTANGULAR FOR KAV20 - 45
16	1	AIR MOTOR PLATE FOR KV20 - 45
17	1	AIR MOTOR
18	1	TYRAP TO RETAIN SOUND ATTENUATION HOSE
19	1	500 x 38mm SOUND ATTENUATION HOSE
20	4	M4 x 12 PAN HEAD POZI SCREW AND LOCKING WASHER
21	1	GASKET FOR AIR MOTOR
22	3	M5 x 16 PAN HEAD POZI SCREW AND LOCKING WASHER
23	1	AIR VAC MOTOR HEAD ASSEMBLY (INC AIR SUPPLY HOSE) FOR KAV20 - 45H (ATEX CATEGORY 2)
24	1	14" ANTI-STATIC SEALING RING AND FRAME
25	1	TYPE H FILTER CARTRIDGE WITH ANTI-STATIC END CAPS FOR KAV20, 30 AND 45H
26	1	RED ON WHITE TYPE H WARNING PLATE (ATEX CATEGORY 2)
27	2	SPLIT PIN
28	6	M5 INTERNAL SHAKEPROOF WASHER BZP
29	6	M5 x 6 PAN HEAD POZI SCREW BZP
30	1	COMPLETE TYPE H CARTRIDGE UNIT FOR KAV20, 30 AND 45H (INC ITEM No. 24, 25, 26, 27, 6, 7, 28, 29 & 45)
31	1	14" ANTI-STATIC FILTER CLOTH ONLY
32	1	14" ANTI-STATIC FILTER FRAME
33	1	14" ANTI-STATIC FILTER ASSEMBLY
34	1	K4 PAPER BAG (PACKET OF 10)
35A	1	KAV30H CAN ASSEMBLY (ATEX CATEGORY 2)
35B	1	KAV45H CAN ASSEMBLY (ATEX CATEGORY 2)
36	1	NOT APPLICABLE TO THIS MODEL
37	1	NOT APPLICABLE TO THIS MODEL
38	2	M5 x 20 PAN POZI STAINLESS STEEL
39	2	M5 x 16 PAN POZI STAINLESS STEEL
40	1	ANTI-STATIC HOSE ENTRY SPIGOT OUTER
41	1	HOSE ENTRY SPIGOT RETAINER
42	1	PAPER BAG TUBE/DEFLECTOR STAINLESS STEEL (ATEX CATEGORY 2)
43	2	ANTI-STATIC CURVED SURFACE HANDLE WITH SCREWS AND WASHERS
44	1	'KERSTAR' RED LABEL (ATEX CATEGORY 2)
45	4	CLIP TO SUIT METAL HEAD
46	1	ANTI-STATIC BLANKING CAP ASSEMBLY
47A	1	CADDY ASSEMBLY TO SUIT KAV30 & KAV45 (INC. EARTH CHAIN)
47B	1	STAINLESS STEEL CADDY WITH CONDUCTIVE WHEELS AND CASTORS TO SUIT KAV30 & KAV45 (1 x CASTOR BRAKED)
48A	2	75mm CADDY CASTOR WITH NUT & BOLT
48B	1	75mm CONDUCTIVE CADDY CASTOR (UNBRAKED) WITH NUT AND BOLT
48C	1	75mm CONDUCTIVE CADDY CASTOR (BRAKED) WITH NUT AND BOLT
49A	2	200mm REAR WHEEL WITH STARLOCK WASHER AND CAP
49B	2	200mm CONDUCTIVE REAR WHEEL WITH STARLOCK WASHER AND YELLOW CAP
50	1	EARTH CHAIN (NOT USED WITH STAINLESS STEEL CADDY AND CONDUCTIVE WHEELS / CASTORS)
51	1	ANTI-STATIC TOOL BASKET FOR KAV30/45 CADDY (OPTIONAL EXTRA)

NOTE: MAY 2008,  
PAINTED STEEL CADDY AND NON CONDUCTIVE WHEELS / CASTORS REPLACED WITH STAINLESS STEEL CADDY AND CONDUCTIVE WHEELS / CASTORS.

