

Clemas & Co Ltd

Industrial Cleaning Equipment
Sales - Hire - Service

KV20, 25, 30, 45, 50, 65 & 110 DRY PICK UP VACUUM CLEANER OPERATOR MANUAL



Clemas & Co. Unit 5 Ashchurch Business Centre, Alexandra Way, Tewkesbury,
Gloucestershire, GL20 8NB.

Tel: 01684 850777

Fax: 01684 850707

Email: info@clemas.co.uk

Web: www.clemas.co.uk

IMPORTANT USER INFORMATION

It is most important that this instruction book should be retained with the appliance for future reference. Should the appliance be sold or transferred to another user, always ensure that the book is supplied with the appliance in order that the new user can be acquainted with the functioning of the appliance and the relevant warnings. These warnings are provided in the interest of safety. You must read them carefully before installing or using the appliance.

CAUTION: This machine is not suitable for picking up health endangering dust.

CAUTION: This machine is for dry use only and shall not be used or stored outdoors in wet conditions.

This machine is also suitable for commercial use, for example in hotels, schools, hospitals, factories, shops and offices for other than normal housekeeping purposes.

If the supply cord is damaged, it must be replaced by a special cord or assembly available from the manufacturer or its service agent.

Do not use the appliance in the presence of flammable gases.

Never leave the appliance running unattended.

Remove the plug from the wall socket before attempting any form of user maintenance specified in the user instruction book.

Do not carry or drag your vacuum cleaner by the mains supply cable.

Do not tug at the mains supply cable to remove the plug from the wall socket.

Keep the mains supply cable away from heat, oil, sharp edges and rough surfaces.

Always ensure that the cable is not damaged in any way.

Never pick up hot cinders or lighted cigarette ends.

Paper bags and filters should be changed or cleaned at regular intervals.

Do not use the appliance to suck up liquids.

Do not use the appliance for dry vacuuming with the filter or paper bag removed.

Always replace the paper bag when full ensuring that the cloth filter is not blocked with dust.

This appliance should be serviced by authorised Kerstar personnel and only genuine Kerstar spare parts should be used.

ELECTRICAL INFORMATION

This appliance has been designed for dry vacuum cleaning only and must not be used to pick up any liquids.

Kerstar declines any liability should this or any of the following measures not be observed.

Cable & Plug

This Vacuum Cleaner is an earthed appliance and has 10 metres of 3-core flex with a moulded on impact resistant 13amp 3-pin plug (to BS 1363A). The fuse fitted (ASTA Approved) is rated at 13amps. Only 13amps fuses must be used. *(Not applicable to 110V models – these are fitted with a yellow 16amp 3-pin plug suitable for 110V).*

Should the moulded on plug be damaged please follow this procedure:

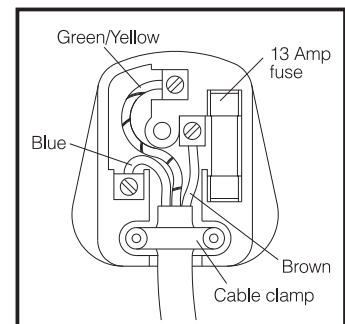
Switch off supply at socket, remove damaged plug from socket, cut plug off from flex.

Make sure the damaged plug is disposed of immediately so as there is no chance of the damaged plug being used.

Fitting a Replacement Plug

Use only a 13amp (approved) plug. To fit proceed as follows:

- 1) Ensure that the lengths of wire to be fitted inside the plug have been cut to the correct length and the end correctly prepared. When preparing the cable ends take care not to damage the out sheath, or the insulation surrounding the inner conductors.
- 2) Connect the blue (NEUTRAL) wire to the terminal in the plug which is marked with the letter “N” or coloured black.
- 3) Connect the brown (LIVE) wire to the terminal in the plug which is marked with the letter “L” or coloured red.
- 4) Connect the green/yellow (EARTH) wire to the terminal in the plug which is marked with the letter “E” or coloured green.
- 5) Tighten all screws. Ensure that all conductor strands have entered into the terminal posts and that the mains lead is securely held in place by the cable clamp.
- 6) Ensure that the plug is fitted with a 13amp ASTA approved BS 1362 fuse. Replace the top cover of the plug and secure.



Extension Cable

If using an extension cable at any time, always ensure that the insulation sheath is in good condition and is not damaged in any way. Make sure that the socket is fitted to the extension cable correctly, if in doubt have it checked by a qualified electrician. Always use the extension cable in accordance with the manufacturers instructions.

UNPACKING YOUR VACUUM CLEANER

Unpack your cleaner and ensure that you have the spares and accessories as listed on the delivery note.

Note

This range of dry industrial vacuum cleaners has a hose entry which will accept 32, 38 and 51mm diameter hoses. Hoses and accessories are usually supplied to your order/requirement. Please check you receive the accessories ordered.

Models on a caddy (KV18, 45, 65 & 110) are packed with the caddy handle removed for transport/packing purposes. Refit the handle before use.

OPERATING INSTRUCTIONS

1. Connection to the Electricity Supply

Insert the mains plug into a suitable socket outlet. When you have finished cleaning unplug the appliance. When coiling the mains cable make sure that any twists or knots in the cable come out at the plug end. DO NOT coil cable from the plug end as all twists and knots remain in the cable and considerably shorten its life.

2. Cleaner Controls

The following controls are provided:

- a) The on/off switch is situated on the top of the motor head. To switch the appliance on firmly press the part of the switch marked “1”. To switch off press the part of the switch marked “0”.
(Some models are fitted with one switch per motor)

3. Carrying and Storing

The assembled cleaner should only be moved by the carrying handle on top of the motor head. *(Not applicable to models on a caddy)*. Do not attempt to lift or drag the machine by the mains lead. The cleaner must be stored indoors and in a dry environment.

4. Access to the Filtration System

- a) To remove the motor head, unclip the clips. Ensure that the clips are hinged clear of the rim of the motor head. Lift the motor head clear of the cannister.
- b) To refit the motor head align the head so that the cable entry lies directly opposite the hose entry on the cannister. Locate the clips over the rim of the motor head and firmly press down the clips until they have locked into position.

FILTRATION SYSTEM

This vacuum cleaner is fitted with two stages of filtration. Both stages are on the negative pressure (suction) side of the motor.

- 1) **1st Stage:** **K3 Paper Bag** – KV18/1 and KV20/1
K4 Paper Bag – KV25/1, KV25/2 and KV30/1
K6 Paper Filter – KV20/2, KV30/2 and KV45/2
K7 Paper Filter – KV65/2 & 3 and KV110/2 & 3

K3 and K4 are disposable paper bags. They are fitted over the inlet inside the cannister and the dirt and debris is collected inside the bag. When the paper bag is full or suction efficiency is impaired the paper bag should be replaced. K3 and K4 paper bags are not designed to be emptied and should not be reused.

K6 and K7 paper filters are used on larger vacuums in place of paper bags (which may burst when being removed). Paper filters are fitted over the rim of the cannister and held in place with a strap. Dirt and debris entering the cannister is collected in the bottom of the cannister. K6 and K7 paper filter can be reused after the cannister has been emptied provided that it is not torn or holed.

2) **2nd Stage – Cloth Filter Assembly**

A cloth/nylon type of filter material supported by a filter frame. A specially designed material for use as a vacuum cleaner filter medium.

LOSS OF SUCTION / THERMAL CUTOUT SWITCH

If your cleaner loses suction power, first check that the hose and other accessories in use are not blocked. Then check that the filtration system is not blocked. The filtration system can be serviced as follows:

Paper Bags – If full, replace (*if burst, empty out cannister*)

Paper Filters – Replace if torn or holed or shake dust off and reuse.

Cloth Filter Assembly – This filter will become contaminated with dust during normal use and/or if the paper bag/paper filter is holed or burst. The dust must be removed either by brushing off or by vacuuming with another vacuum cleaner. It is advisable to have a spare filter so that one filter can be used in the machine and then the machine itself can be used to vacuum the dust off the contaminated spare filter.

If any of the filters, paper bags or paper filters are damaged or holed, they must be replaced with new items.

This vacuum cleaner is fitted with thermal cutout switch which automatically stops the motor if it overheats. This may be caused by a blocked hose or wands, a full paper bag, or a blocked filter. If your vacuum cleaner cuts out check for the above. The cutout switch will automatically reset itself when the motor temperature drops.

SERVICING & SPARES

Should your KERSTAR VACUUM CLEANER need any servicing, repair or spares please contact your nearest KERSTAR dealer or contact KERSTAR directly:

Tel: +44 (0)1604 760455

Fax: +44 (0)1604 701022

Please make a note of the model and serial number before contacting your dealer.

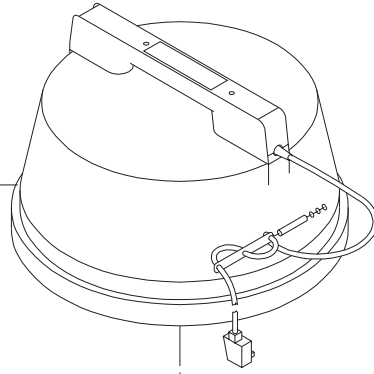
GUARANTEE

Kerstar products are guaranteed for 12 months against defective parts and workmanship. There are certain conditions that may invalidate this guarantee.

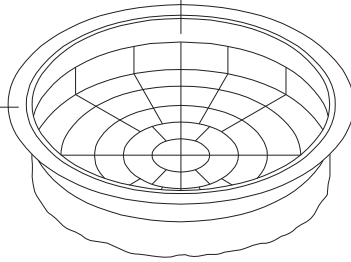
- a) This appliance must be correctly installed and used in accordance with these instructions.
- b) Servicing must be carried out by Kerstar authorised personnel only.
- c) The guarantee may be invalidated by unauthorised repair or modification to the appliance.

KERSTAR LIMITED may introduce modifications to their products from time to time and consequently the details given in this instruction book are subject to alteration without notice.

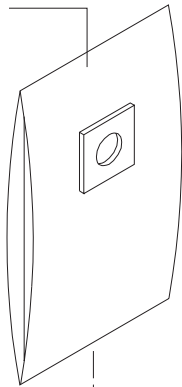
Vacuum
Motor Head



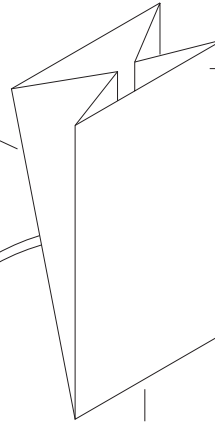
Filter
Assembly



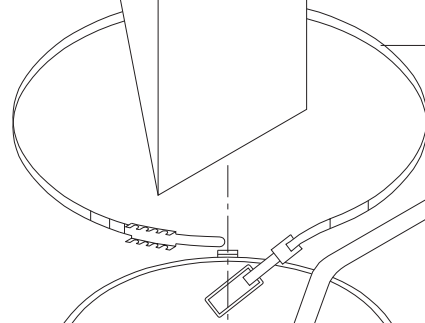
K3 or K4
Paper Bag



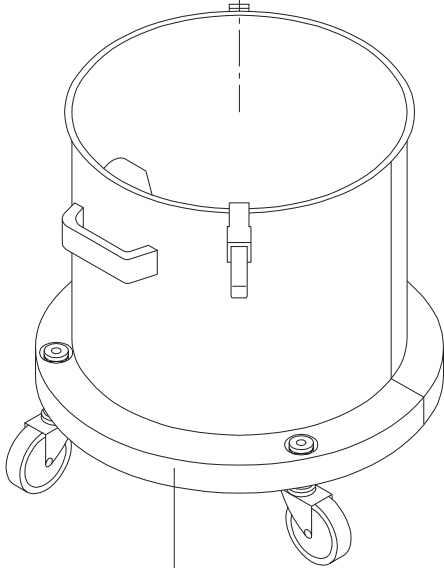
K6 or K7
Paper Filter



Strap



Can on
Chassis



Can on
Caddy

