

Clemas & Co Ltd

Industrial Cleaning Equipment
Sales - Hire - Service

KV20, 25, 30, 45 & 50 / 1 & 2 H HAZARDOUS VACUUM CLEANER OPERATOR MANUAL



Clemas & Co. Unit 5 Ashchurch Business Centre, Alexandra Way, Tewkesbury,
Gloucestershire, GL20 8NB.

Tel: 01684 850777

Fax: 01684 850707

Email: info@clemas.co.uk

Web: www.clemas.co.uk

IMPORTANT USER INFORMATION

It is most important that this instruction book should be retained with the appliance for future reference. Should the appliance be sold or transferred to another user, always ensure that the book is supplied with the appliance in order that the new user can be acquainted with the functioning of the appliance and the relevant warnings. These warnings are provided in the interest of safety. You must read them carefully before installing or using the appliance.

This appliance is designed to be operated only by adults.

It is dangerous to alter the specification or modify the product in any way.

CAUTION: This machine is for dry use only and shall not be used or stored outdoors in wet conditions.

This machine is also suitable for commercial use, for example in hotels, schools, hospitals, factories, shops and offices for other than normal housekeeping purposes.

If the supply cord is damaged, it must be replaced by a special cord or assembly available from Kerstar or our service agent.

Do not use the appliance in the presence of flammable gases.

Never leave the appliance running unattended.

Remove the plug from the wall socket before attempting any form of user maintenance specified in this instruction book.

Do not carry or drag your Vacuum Cleaner by the mains supply cable.

Do not tug at the mains supply cable to remove the plug from the wall socket.

Keep the mains supply cable away from heat, oil, sharp edges and rough surfaces.

Always ensure that the cable is not damaged in any way.

Never pick up hot cinders or lighted cigarette ends.

Dust bags and filters should be changed at regular intervals as stated in this instruction book.

Do not use the appliance to suck up liquids or use on wet surfaces.

Do not use the appliance for dry vacuuming with the filters removed.

When fitting and changing the accessories always follow the instructions in this instruction book.

Under no circumstances should you attempt to repair the appliance yourself. Repairs undertaken by unauthorised or inexperienced persons may cause injury and/or serious malfunctioning.

This appliance should be serviced by authorised **Kerstar** personnel and only genuine **Kerstar** spare parts should be used.

Always replace the dustbag when full ensuring that the cloth filter is not blocked with dust.

Never use the appliance without the full filtration system fitted.

ELECTRICAL INFORMATION

This appliance has been designed for dry vacuum cleaning only and must not be used to pick up any liquids.

Kerstar declines any liability should this or any of the following measures not be observed.

Cable & Plug

This Vacuum Cleaner is an earthed appliance and has 10 metres of 3 core flex with a moulded on impact resistant 13amp 3 pin plug (to BS 1363A). The fuse fitted (ASTA Approved) is rated at 13amps. Only 13amps fuses must be used (*Not applicable to 110V models – these are fitted with a yellow 16 amp 3-pin plug suitable for 110V*).

Should the moulded on plug be damaged please follow this procedure:

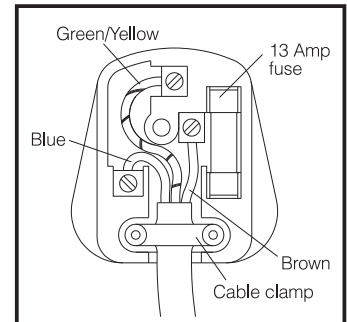
Switch off supply at socket, remove damaged plug from socket, cut plug off from flex.

Make sure the damaged plug is disposed of immediately so as there is no chance of the damaged plug being used.

Fitting a Replacement Plug

Use only a 13amp (BEAB approved) plug. To fit proceed as follows:

- 1) Ensure that the lengths of wire to be fitted inside the plug have been cut to the correct length and the end correctly prepared. When preparing the cable ends take care not to damage the out sheath, or the insulation surrounding the inner conductors.
- 2) Connect the blue (NEUTRAL) wire to the terminal in the plug which is marked with the letter “N” or coloured black.
- 3) Connect the brown (LIVE) wire to the terminal in the plug which is marked with the letter “L” or coloured red.
- 4) Connect the green/yellow (EARTH) wire to the terminal in the plug which is marked with the letter “E” or coloured green.
- 5) Tighten all screws. Ensure that all conductor strands have entered into the terminal posts and that the mains lead is securely held in place by the cable clamp.
- 6) Ensure that the plug is fitted with a 13amp ASTA approved BS 1362 fuse. Replace the top cover of the plug and secure.



Extension Cable

If using an extension cable at any time, always ensure that the insulation sheath is in good condition and is not damaged in any way. Make sure that the socket is fitted to the extension cable correctly, if in doubt have it checked by a qualified electrician. Always use the extension cable in accordance with the manufacturers instructions.

UNPACKING YOUR CLEANER

Unpack your cleaner and ensure that you have the items listed below:

- 5 K4 Disposable Microfibre Bags
- 1 14" High Efficiency (H.E.) Filter Assembly

HOSE AND ACCESSORIES

Supplied separately to customer requirements

We recommend 32mm or 38mm hose and tools for single motor models (KV20, 30, 45 & 50/1H).

For twin motor models (KV20, 30, 45 & 50/2H) we recommend 38mm or 51mm hose and tools.

Do not use 32mm hose and tools on twin motor models.

OPERATING INSTRUCTIONS

WARNING Before use, operators must be provided with information, instruction and training for the use of the appliance and the substances for which it is to be used, including the safe method of removal and disposal of the material collected.

1. Connection to the Electricity Supply

Insert the mains plug into a suitable socket outlet and switch on. When you have finished cleaning, switch off the supply at the outlet socket and unplug. When coiling the mains cable make sure that any twists or knots in the cable come out at the plug end. **DO NOT** coil cable from the plug end as all twists and knots remain in the cable and considerably shorten its life.

2. Cleaner Controls

The following control is provided:

The on/off switch is situated at the front of the motor head. To switch the appliance on firmly press the part of the switch marked "1". To switch off press the part of the switch marked "0".

3. Carrying and Storing

The assembled cleaner should only be moved by the carrying handle on top of the motor head (*not applicable to models on a caddy*). Do not attempt to lift or drag the machine by the mains lead. The cleaner must be stored indoors and in a dry environment.

All **Kerstar** Type H vacuum cleaners are supplied with screw-on blanking caps. These are designed to seal the inlet and exhaust ports to prevent the escape or ingress of hazardous dust during transport or storage. Whenever this vacuum cleaner is not in use these blanking caps should be used. They must be removed before use.

FILTRATION SYSTEM

This is a Type H Vacuum Unit. It is fitted with 3 stages of filtration on the negative pressure side of the motor (that is before the motor, so that the motor always receives clean filtered air).

1st Stage - K4 Disposable Microfibre Bag (with sealing cap)

2nd Stage - High Efficiency (HE) Filter Assembly specially for Type H cartridges

3rd Stage - Type H HEPA (High Efficiency Particulate Air) Cartridge Filter

Note: The HEPA cartridge filter fitted to Kerstar KV20–50 Type H models has a very large surface area compared to other models available and will therefore give improved performance and a greatly increased filter life.

Access to the Microfibre Bag and Filtration System

- a) To remove the motor head and HEPA cartridge unit, unclip the LOWER set of toggle clips. Ensure that the toggle clips are hinged clear of the rim of the HEPA unit. Lift the motor head and HEPA unit clear of the bottom can.
- b) To refit the motor head and HEPA unit, align the head so that the cable entry lies directly opposite the hose entry on the can. Locate the toggle clips over the rim of the HEPA unit and firmly press down both toggle clips until they have locked into position.

Note: The upper set of toggle clips between the HEPA unit and motor head have a lock-down device to prevent the separation of the motor head from the HEPA unit. Only authorised and trained personnel should separate the motor head from the HEPA unit.

WARNING

The appliance may contain dust hazardous to health. Emptying and maintenance operations including removal and renewal of dust collection bag shall only be carried out by authorised personnel wearing suitable approved personal protection.

WARNING

Do not use the appliance unless the full filtration system is fitted – Type H cartridge, high efficiency cloth filter and Microfibre bag. Failure to fit the complete system may cause premature clogging of the Type H cartridge and may also endanger health.

WARNING

Do not use this appliance for the collection of explosive dusts (a list of which can be obtained from your local fire prevention officer).

Do not use this appliance in a corrosive or flammable environment.

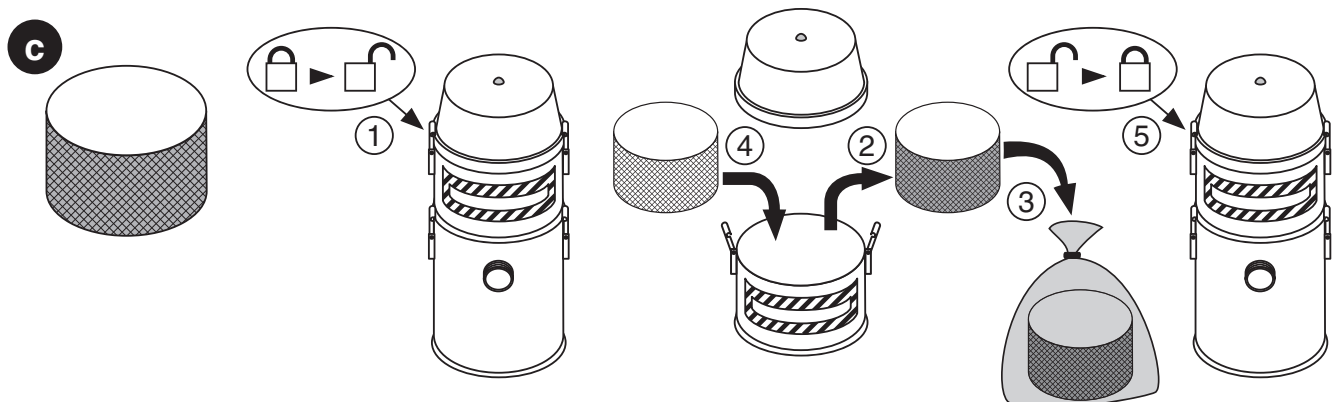
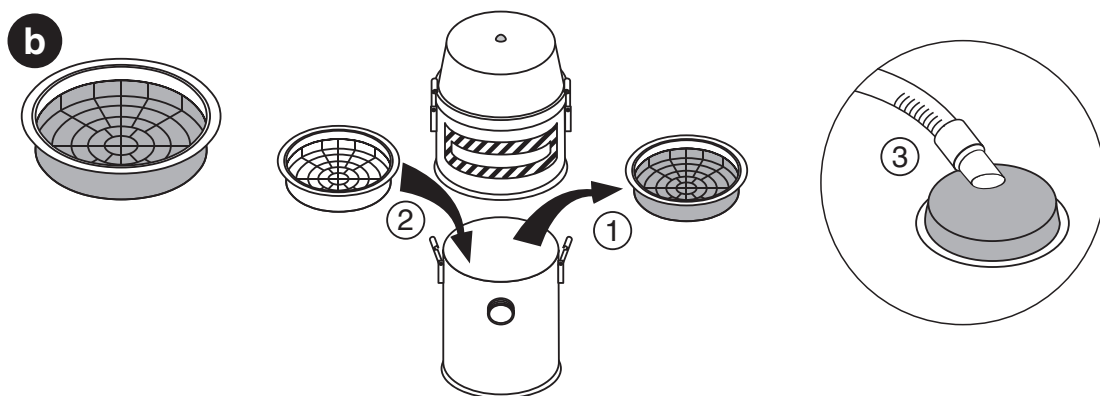
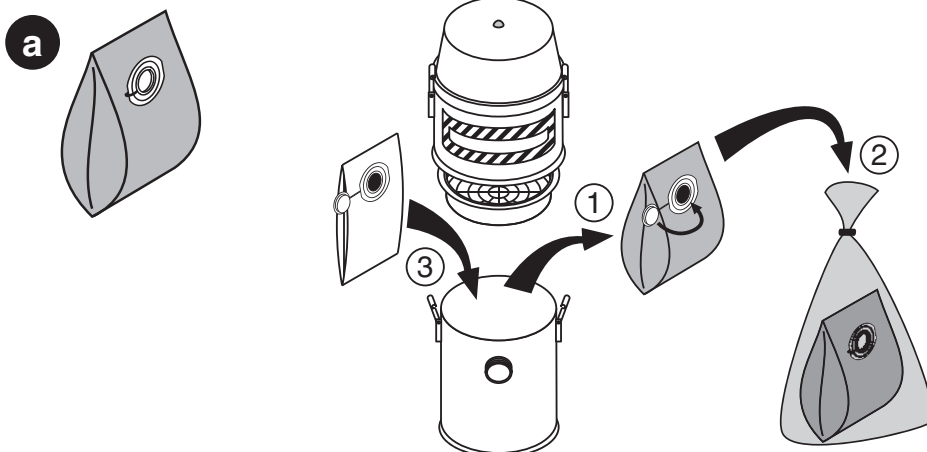
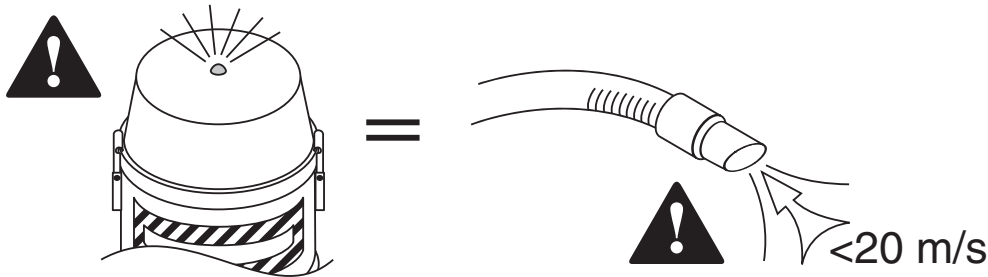
IMPORTANT

The vacuum unit is designed to collect hazardous dusts: Therefore any dust found within the machine or on its filters may be dangerous to your health. Always take precautions.

YELLOW FLASHING WARNING LIGHT

This model is fitted with a yellow flashing LED warning light. When this light is flashing the airspeed in the hose has dropped below 20 metres per second. This would indicate that there is an impediment to the airflow.

1. Remove hose. If LED stops flashing, the hose is blocked. Unblock the hose and try again.
2. If LED flashes with no hose connected, there is a restriction in the air filtration system. Using the following sequence, check, replace or clean the following:
 - a) Disposable Microfibre bag
 - b) High Efficiency Cloth filter assembly
 - c) HEPA Cartridge filter (also known as the absolute or essential filter)



EMPTYING AND DISPOSAL

When emptying always wear suitable approved personal protection. The Microfibre bag should be carefully removed and sealed into a non-porous bag, e.g. a polythene bag. Airborne hazardous dust may be created during dust bag or filter changing. The person who carries out these operations should be provided with approved respiratory protective equipment and suitable protective clothing, and be clearly instructed in the hazards associated with the works and safety procedures to be followed. Portable equipment should preferably be taken away from occupied area for dust bag or filter changing.

DECONTAMINATION

For ease of maintenance we recommend that a stock of paper bags and a second stage filter should be held in stock at all times so that the appliance can be used to clean itself and also the spare filter. (*Note: 5 disposable Microfibre bags and a spare second stage filter assembly are supplied from new with this model*).

Always clean the outside of the machine before removing from a contaminated area or for storage, using the suction hose.

THERMAL CUTOUT

This vacuum cleaner is fitted with thermal cutout switch which automatically stops the motor if it overheats. This may be caused by a blocked hose or wands, a full Microfibre bag, or a blocked filter. If your vacuum cleaner cuts out check for the above. The cutout switch will automatically reset itself when the motor temperature drops.

SERVICING & SPARES

Should your **Kerstar** VACUUM CLEANER need any servicing, repair or spares please contact your nearest **Kerstar** dealer or contact **Kerstar UK Ltd** directly:

Tel: +44 (0)1604 760455

Fax: +44 (0)1604 701022

*Please make a note of the model and serial number before contacting **Kerstar UK Ltd**.*

Before attempting any servicing of this appliance, decontaminate in accordance with current best practice and make sure you are protected from any dust which may still be present on or around the machine or any dust which may have collected on internal components.

The Type H cartridge filter is not reusable or cleanable and should be disposed of safely. When it becomes excessively clogged and the vacuum performance of the appliance suffers or is no longer acceptable fit a new unit. Be careful when handling and fitting Type H cartridges as damage to the pleated element will affect the performance and may cause a leakage through the filter of unfiltered air.