

Clemas & Co Ltd

Industrial Cleaning Equipment
Sales - Hire - Service

GOBBLEVAC KV90/2 & KV200/2 & 3 VACUUM CLEANER OPERATOR MANUAL



Clemas & Co. Unit 5 Ashchurch Business Centre, Alexandra Way, Tewkesbury,
Gloucestershire, GL20 8NB.

Tel: 01684 850777

Fax: 01684 850707

Email: info@clemas.co.uk

Web: www.clemas.co.uk

IMPORTANT USER INFORMATION

It is most important that this instruction book should be retained with the appliance for future reference. Should the appliance be sold or transferred to another user, always ensure that the book is supplied with the appliance in order that the new user can be acquainted with the functioning of the appliance and the relevant warnings. These warnings are provided in the interest of safety. You must read them carefully before installing or using the appliance.

This appliance is designed to be operated by adults.

It is dangerous to alter the specification or modify the product in any way.

CAUTION: This machine is not a dust-extractor.

CAUTION: This machine must not be used unattended and is not for continuous operation.

CAUTION: This machine is not suitable for picking up health endangering dust.

CAUTION: This machine is for dry use only and shall not be used or stored outdoors in wet conditions.

This machine is also suitable for commercial use, for example in hotels, schools, hospitals, factories, shops and offices for other than normal housekeeping purposes.

If the supply cord is damaged, it must be replaced by a special cord or assembly available from the manufacturer or its service agent.

Do not use in the presence of flammable gases.

Do not use for picking up dust that may have a potential risk of explosion.

Never leave the appliance running unattended.

Remove the plug from the wall socket before attempting any form of user maintenance specified in this instruction book.

Do not carry or drag this vacuum cleaner by the mains supply cable.

Do not tug at the mains supply cable to remove the plug from the wall socket.

Keep the mains supply cable away from heat, oil, sharp edges and rough surfaces.

Always ensure that the cable is not damaged in any way.

Never pick up hot cinders or lighted cigarette ends.

Filters should be cleaned at regular intervals as stated in this instruction book.

Do not suck up liquids or use on wet surfaces.

Do not use with the filters removed.

When fitting and changing the accessories always follow the instructions in this user instruction book.

Under no circumstances should you attempt to repair this vacuum cleaner yourself. Repairs undertaken by unauthorised or inexperienced persons may cause injury and/or serious malfunctioning.

This vacuum cleaner should be serviced by authorised Kerstar personnel and only genuine Kerstar spare parts should be used.

ELECTRICAL INFORMATION

This vacuum cleaner has been designed for dry vacuum cleaning only and must not be used to pick up any liquids.

Kerstar declines any liability should this or any of the following measures not be observed.

Cable & Plug

This Vacuum Cleaner is an earthed appliance and has 10 metres of 3-core flex with a moulded on impact resistant 13amp 3-pin plug (to BS 1363A). The fuse fitted (ASTA Approved) is rated at 13amps. Only 13amps fuses must be used. *(Not applicable to 110V models – these are fitted with a yellow 3-pin plug suitable for 110V).*

Should the moulded on plug be damaged please follow this procedure:

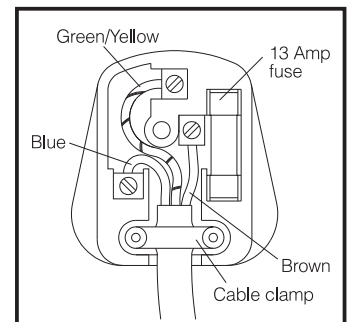
Switch off supply at socket, remove damaged plug from socket, cut plug off from flex.

Make sure the damaged plug is disposed of immediately so as there is no chance of the damaged plug being used.

Fitting a Replacement Plug

Use only a 13amp (approved) plug. To fit proceed as follows:

- 1) Ensure that the lengths of wire to be fitted inside the plug have been cut to the correct length and the end correctly prepared. When preparing the cable ends take care not to damage the out sheath, or the insulation surrounding the inner conductors.
- 2) Connect the blue (NEUTRAL) wire to the terminal in the plug which is marked with the letter “N” or coloured black.
- 3) Connect the brown (LIVE) wire to the terminal in the plug which is marked with the letter “L” or coloured red.
- 4) Connect the green/yellow (EARTH) wire to the terminal in the plug which is marked with the letter “E” or coloured green.
- 5) Tighten all screws. Ensure that all conductor strands have entered into the terminal posts and that the mains lead is securely held in place by the cable clamp.
- 6) Ensure that the plug is fitted with a 13amp ASTA approved BS 1362 fuse. Replace the top cover of the plug and secure.



Extension Cable

If using an extension cable at any time, always ensure that the insulation sheath is in good condition and is not damaged in any way. Make sure that the socket is fitted to the extension cable correctly, if in doubt have it checked by a qualified electrician. Always use the extension cable in accordance with the manufacturers instructions.

UNPACKING YOUR CLEANER

Unpack your cleaner and ensure that you have a complete set of accessories as listed below:

- 1 Screw Cap to convert from 100mm hose to 38mm hose

Optional Extras: 100mm x 2.5m see-through dust removal hose assembly
100mm x 1.3m Gulper/Scraper tool
100mm x 0.4m Gulper/Scraper tool
Chassis – drop-in chassis base with 4 x 75mm heavy duty castors.

Optional recommended Toolkit (38mm D1) consisting of the following:

- 1 38mm x 3m Hose Assembly
- 1 38mm Stainless Steel Bent End
- 2 38mm Stainless Steel Wands
- 1 38mm Multi-purpose Hard Floor Tool with Bristles
- 1 38mm Plastic Crevice Tool to fit stainless steel wand

Note: A wider range of 38mm accessories are available if required.

OPERATING INSTRUCTIONS

1. Connection to the Electricity Supply

Insert the mains plug into a suitable socket outlet. When you have finished cleaning, unplug the appliance. When coiling the mains cable make sure that any twists or knots in the cable come out at the plug end. DO NOT coil cable from the plug end as all twists and knots remain in the cable and considerably shorten its life.

2. Hose Connections

This unit can be used in three different ways:

- i) As a shavings and chippings removal unit**
 - a) Unscrew the front cover on the canister.
 - b) Attach the large bore see-through hose to the canister and the other end to the outlet manifold on your wood working machine.
- ii) As an industrial vacuum cleaner for large debris**
 - a) Attach large bore see-through hose.
 - b) Screw gulper/scraper tool (optional extra) on to end of hose.
- iii) A general purpose large capacity industrial vacuum cleaner**
 - a) Remove large bore removal hose.
 - b) Refit screw cap hose converter.
 - c) Attach 38mm diameter hose.
 - d) Push stainless steel bent hose end into hose cuff.
 - e) Push stainless steel rods on to bend.
 - f) Attach multi-purpose brush to end of wand.

IMPORTANT NOTICE

This vacuum cleaner is not designed for continuous operation. In the interest of energy conservation, noise reduction, prolonged filter life, and extended motor life it is wise to switch the vacuum cleaner off when not in use.

3. Access to Filtration Systems

- a) Lift the motor head clear of the cannister. The first stage permaflow filter hooks over the rim of the canister and the second stage filters are pushed onto the underside of the motor head.
- b) To re-fit the motor head align the motor head so that the switches and cable entry lie directly opposite the hose entry on the bottom can.

FILTRATION SYSTEM

This Vacuum Cleaner is fitted with 2 stages of filtration. Both stages being on the negative pressure (suction) side of the motors.

1) 1st Stage – Permaflow Filter

It is very important that the permaflow filter be used at all times, failure to do so could result in blocked motor filters and over heating of the motors (leading to motor failure).

2) 2nd Stage – 0.5 micron Motor Filters

One filter per motor. Each filter is of a multi-layer construction, pleated for maximum surface area.

LOSS OF SUCTION / THERMAL CUTOUT SWITCH

If your cleaner loses suction power, first check that the hose and other accessories in use are not blocked. Then check that the filtration system is not blocked. The filtration system can be serviced as follows:

Cleaning the filters

1st Stage Permaflow

There are three ways:

- a) Shake clean.
- b) Vacuum dust off with another vacuum cleaner.
- c) Shake clean and wash (**Note:** the filter **MUST** be dry before being fitted).

2nd Stage 0.5 micron Cartridge Filters

There are two ways:

- a) Brush dust off filter.
- b) Vacuum dust off with another vacuum cleaner.

If any of the filters are damaged or holed they **MUST** be replaced.

This vacuum cleaner is fitted with one thermal cutout switch per motor. In the event of a blockage, the temperature of the motors will rise. One or more of the motors will stop to prevent motor failure. This may be caused by a blocked hose, wands or a clogged filtration system. If one or more of the motors cut out, check for above. The cutout switches will automatically reset themselves when the motor temperature drops.

SERVICING & SPARES

Should your KERSTAR VACUUM CLEANER need any servicing, repair or spares please contact your nearest KERSTAR dealer or contact KERSTAR directly:

Tel: +44 (0)1604 760455

Fax: +44 (0)1604 701022

Please make a note of the model and serial number before contacting Kerstar.

GUARANTEE

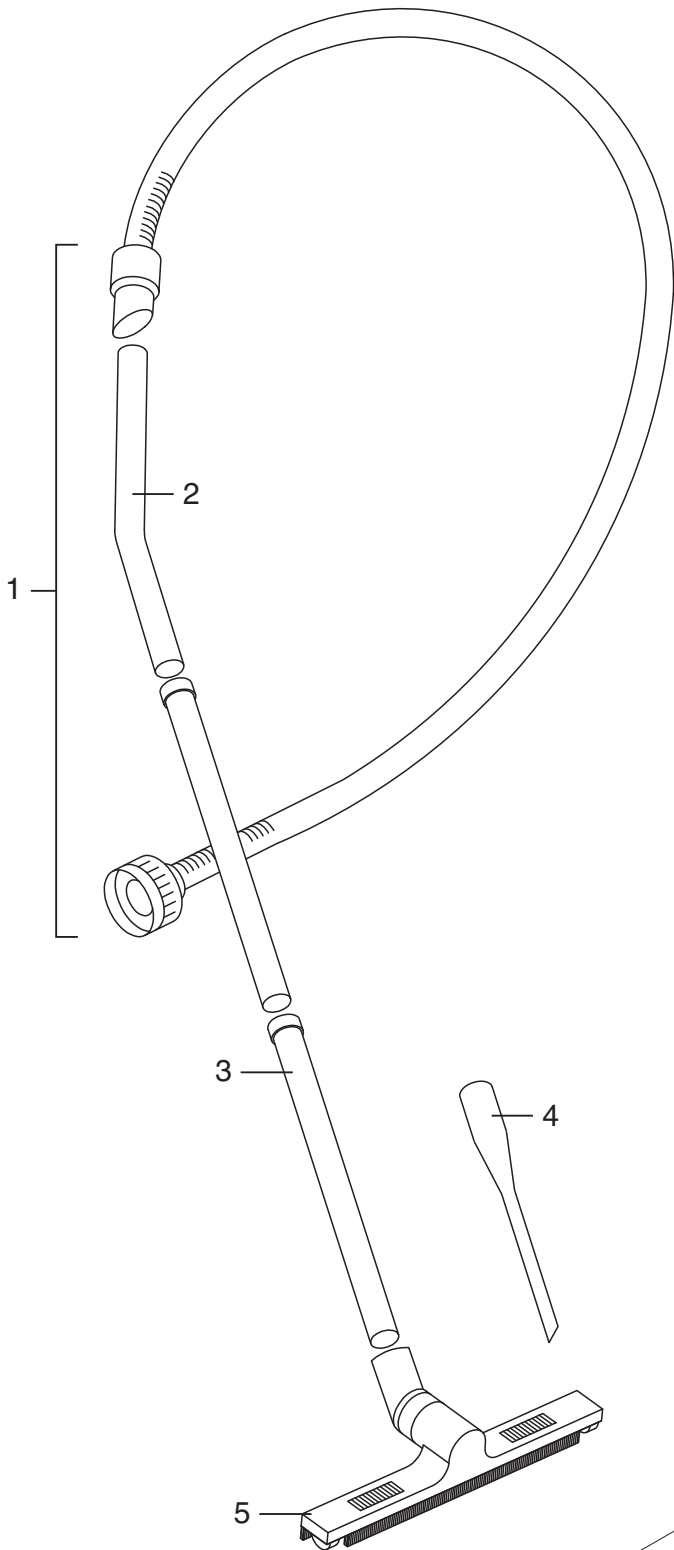
Kerstar products are guaranteed for 12 months against defective parts and workmanship. There are certain conditions that may invalidate this guarantee.

- a) This vacuum cleaner must be correctly installed and used in accordance with these instructions.
- b) Servicing must be carried out by Kerstar authorised personnel only.
- c) The guarantee may be invalidated by unauthorised repair or modification to the appliance.

Kerstar may introduce modifications to their products from time to time and consequently the details given in this instruction book are subject to alteration without notice.

38mm D1 Toolkit

Item No.	Qty	Description
1	1	38mm x 3m Hose Assembly
2	1	38mm Stainless Steel Bent Hose End
3	2	38mm Stainless Steel Extension Wand
4	1	38mm Plastic Crevice Tool to fit stainless steel extension wand
5	1	38mm Multi-purpose Hard Floor Tool with Bristles



100mm (4") Accessories

6	1	100mm (4") x 2.5m see-through Chippings Removal Hose Assembly
7	1	100mm x 1.3m Gulper/Scraper Tool c/w two handles
8	1	100mm x 0.4m Gulper/Scraper Tool c/w handle

