



Clemas & Co Ltd

Industrial Cleaning Equipment
Sales - Hire - Service

MULTIWASH 240 SCRUBBER DRYER PARTS MANUAL



Clemas & Co. Unit 5 Ashchurch Business Centre, Alexandra Way, Tewkesbury,
Gloucestershire, GL20 8NB.

Tel: 01684 850777

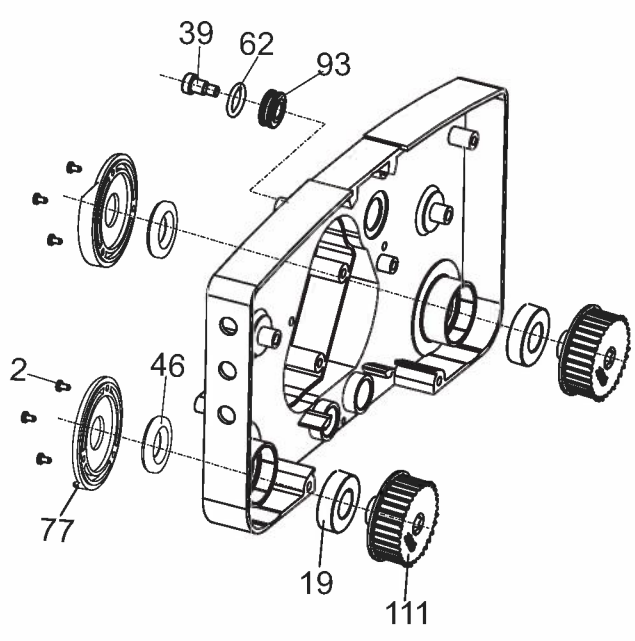
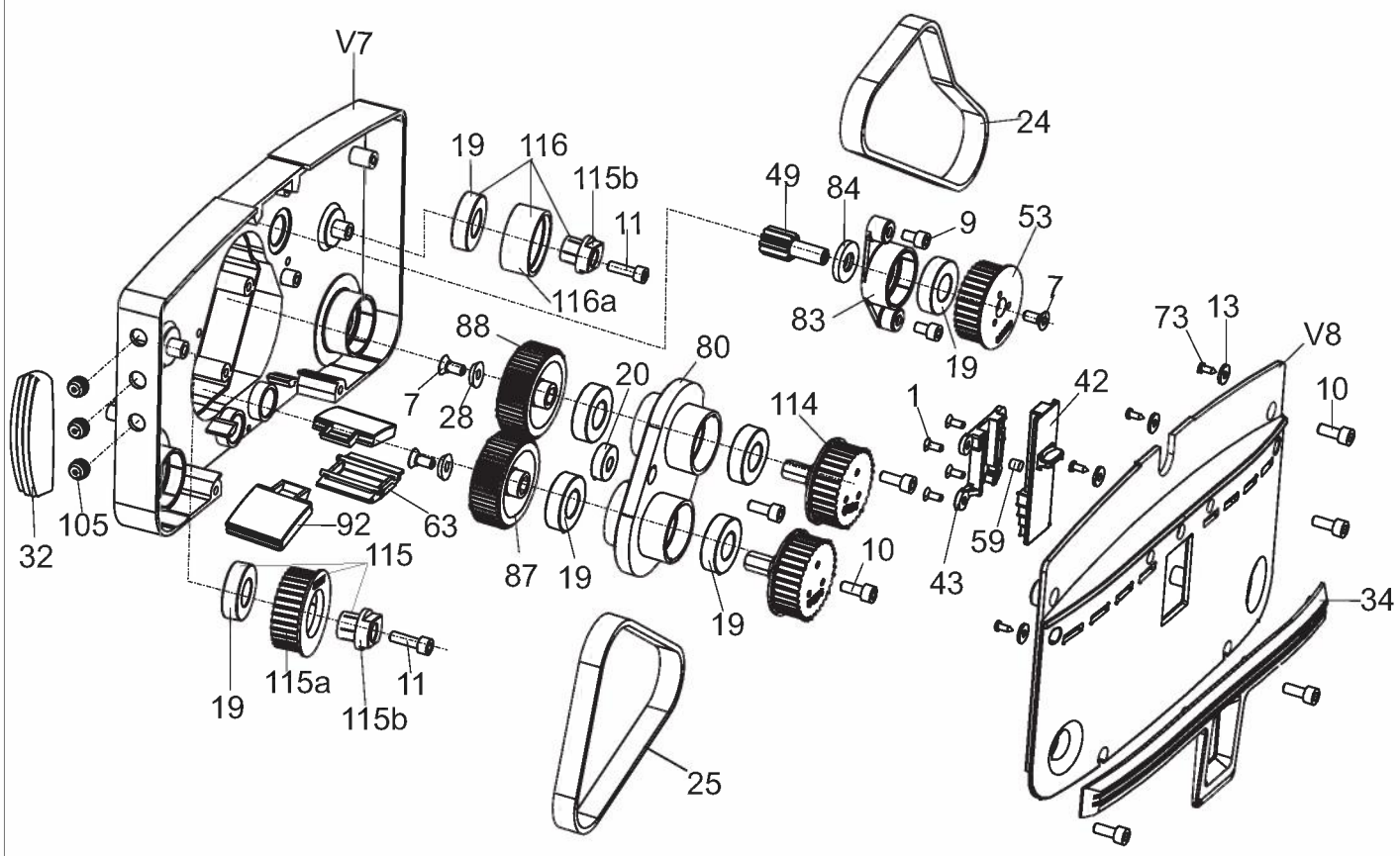
Fax: 01684 850707

Email: info@clemas.co.uk

Web: www.clemas.co.uk

CONTENTS

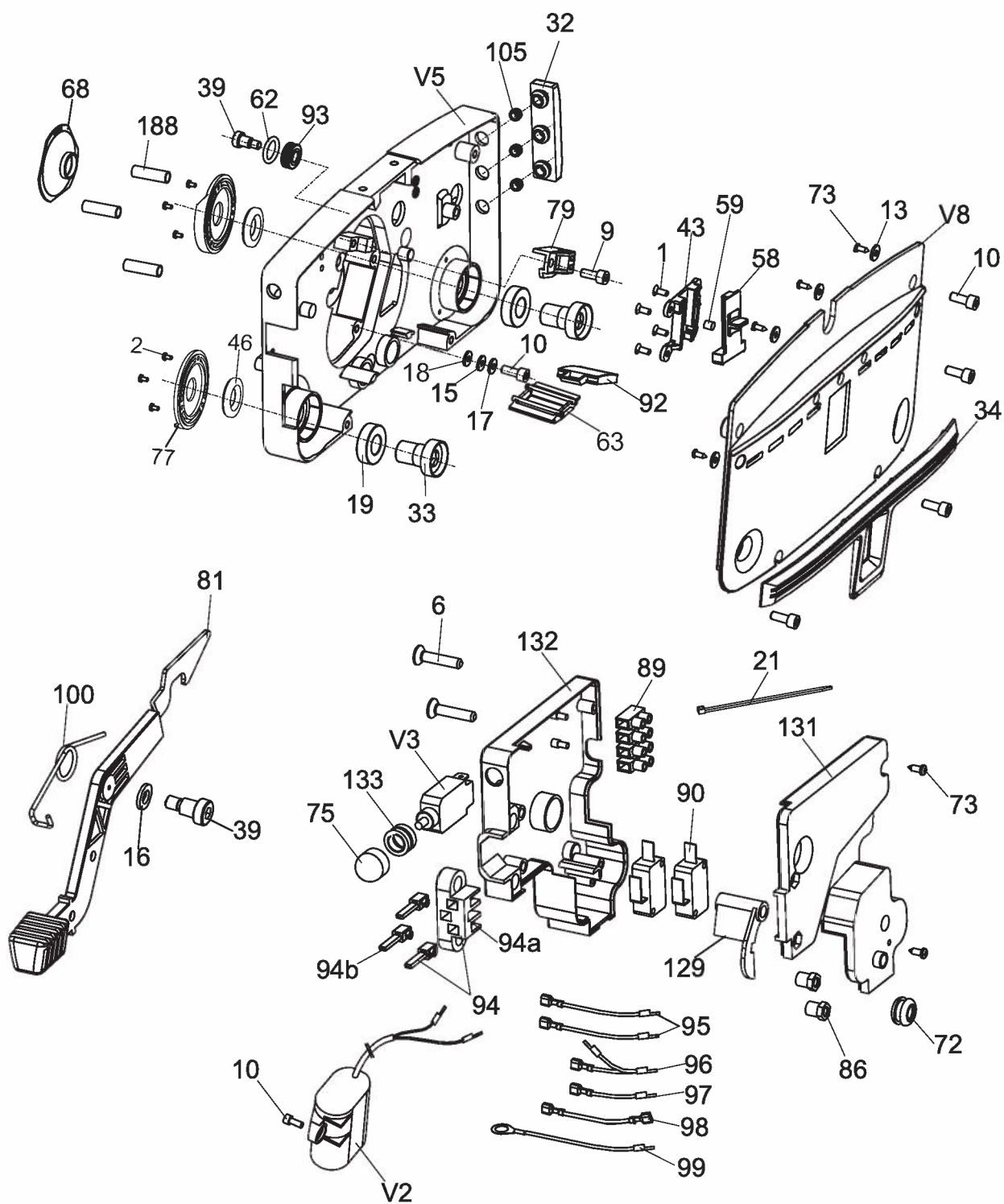
Housing-Drive Side	5
Housing-Idle Side	7 & 9
Tank Assembly	11
Lever and Guide Link Mechanism	13
Handle Assembly	15
Motor, Drum and Bridge Assembly	17
Accessories	19



Housing-Drive Side

5

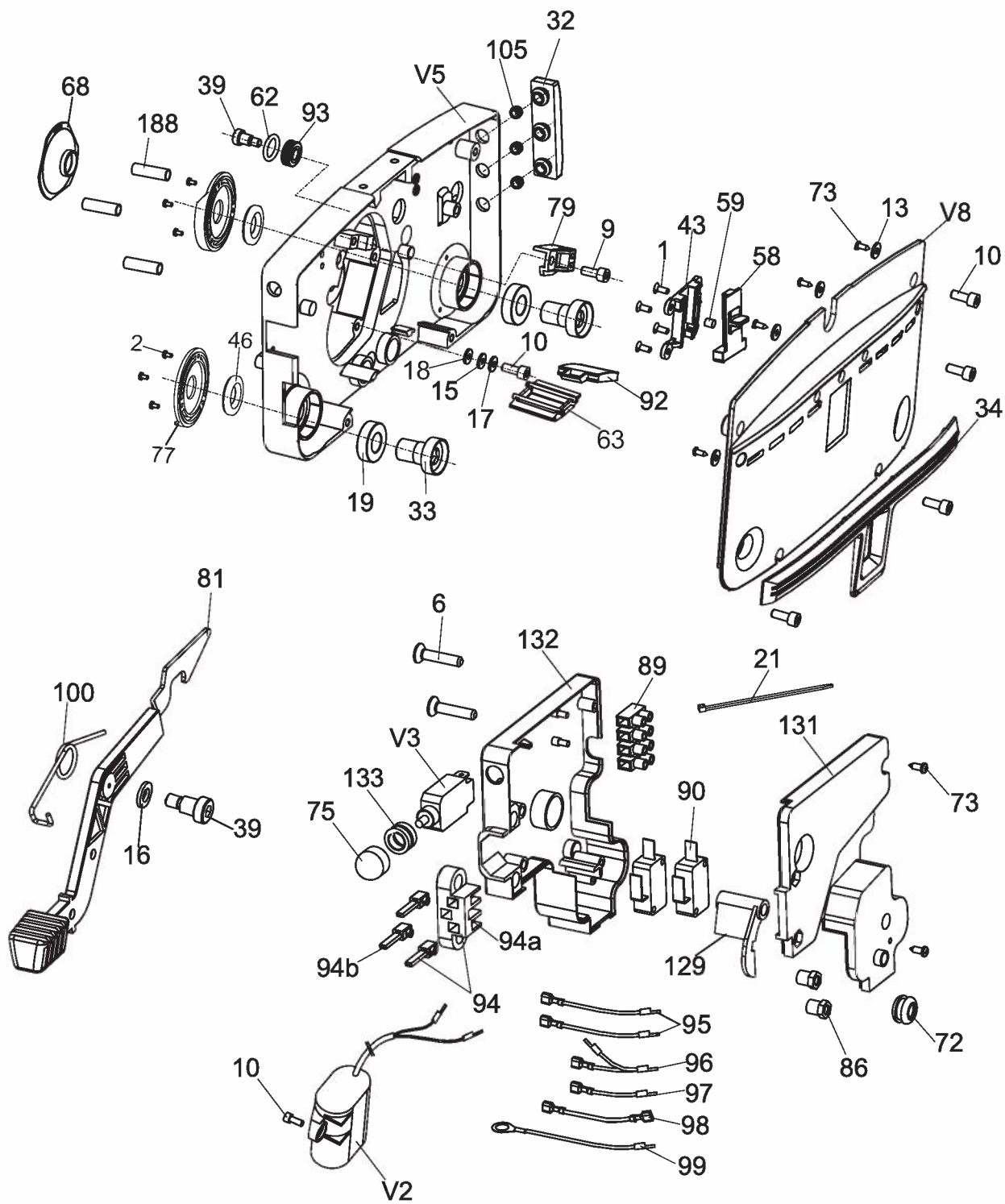
Ref. No	Part No	Description	Size	Qty
1	90-0258-0000	CSK SCREW	M4x10	4
2	90-0001-0000	CRPH SCREW	M3x6	6
7	90-0143-0000	CSK SCREW	M6x14	3
9	90-0293-0000	ALLEN SCREW	M6x10	2
10	90-0144-0000	ALLEN SCREW	M6x16	7
11	90-0005-0000	ALLEN SCREW	M6x20	2
13	90-0007-0000	WASHER	4.2x12x1.6	4
19	90-0009-0000	BEARING	6003 2RS	9
20	90-0121-0000	BEARING	608 2Z	1
24	90-0011-0000	BELT	500 5 M	1
25	90-0012-0000	BELT	425 5 M	1
28	90-0152-0000	WASHER		2
32	90-0154-0000	BUMPER		1
34	90-0156-0000	BUMPER		1
39	90-0123-0000	STUB AXLE		1
42	90-0024-0000	BRUSH SLIDER		1
43	90-0025-0000	SLIDER HOUSING		1
46	90-0027-0000	SEAL		2
49	90-0029-0000	PINION		1
53	90-0031-0000	DRUM SPROCKET		1
59	90-0035-0000	PIN		1
62	90-0176-0000	O' RING		1
63	90-0040-0000	SHIELD		1
73	90-0183-0000	SELF TAPPING SCREW		4
77	90-0020-0000	CAP		2
80	90-0285-0000	GEAR HOUSING		1
83	90-0268-0000	HOUSING SPROCKET		1
84	90-0264-0000	SEAL		1
87	90-0286-0000	GEAR – LH		1
88	90-0287-0000	GEAR - RH		1
92	90-0267-0000	SHIELD		2
93	90-0294-0000	ROLLER		1
105	90-0390-0000	BUMPER SLEEVE		3
111	90-0061-0000	BRUSH SPROCKET		2
114	90-0063-0000	GEAR SPROCKET		2
115	90-0065-0000	IDLER ASSY		1
115a	90-0169-0000	SPROCKET		1
115b	90-0161-0000	HUB		2
116	90-0197-0000	IDLER ASSY		1
116a	90-0166-0000	SLEEVE		1
V7,V8		Variant's Refer Page No. 19		



Housing-Idle Side

7

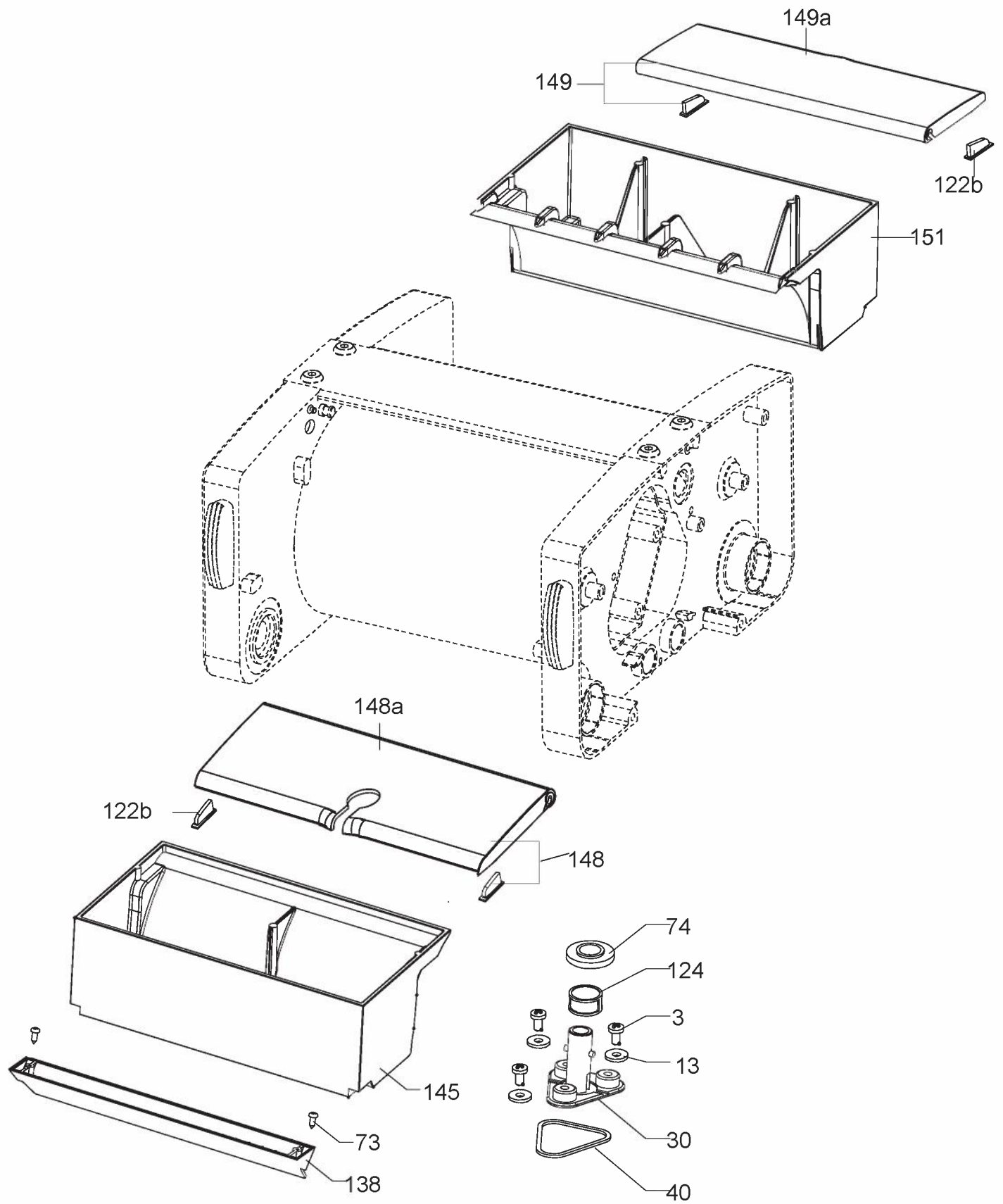
Ref. No	Part No	Description	Size	Qty
1	90-0258-0000	CSK SCREW	M4x10	4
2	90-0001-0000	CRPH SCREW	M3x6	6
6	90-0261-0000	CSK SCREW	M5x25	2
9	90-0293-0000	ALLEN SCREW	M6x10	1
10	90-0144-0000	ALLEN SCREW	M6x16	6
13	90-0007-0000	WASHER	4.2x12x1.6	4
15	90-0147-0000	WASHER	6.4x12x1.6	1
16	90-0395-0000	WASHER	9x17x1.6	1
17	90-0298-0000	SPRING WASHER	M6	1
18	90-0148-0000	TOOTHED WASHER	M6	1
19	90-0009-0000	BEARING	6003 2RS	2
21	90-0149-0000	WIRE TIE		2
32	90-0154-0000	BUMPER		1
33	90-0155-0000	BUSH		2
34	90-0156-0000	BUMPER		1
39	90-0123-0000	STUB AXLE		2
43	90-0025-0000	SLIDER HOUSING		1
46	90-0027-0000	SEAL		2
58	90-0033-0000	TRANSPORT SLIDER		1
59	90-0035-0000	PIN		1
62	90-0176-0000	O' RING		1
63	90-0040-0000	SHIELD		1
68	90-0179-0000	FAN COVER		1
72	90-0045-0000	GROMMET		1
73	90-0183-0000	SELF TAPPING SCREW		6
75	90-0048-0000	CAP		1
77	90-0020-0000	CAP		2
79	90-0188-0000	STOPPER		1
81	90-0259-0000	PEDAL		1
86	90-0297-0000	NUT		2
89	90-0269-0000	CONNECTOR		1
90	90-0283-0000	SWITCH		2
92	90-0267-0000	SHIELD		1
93	90-0294-0000	ROLLER		1
94	90-0290-0000	SOCKET ASSY		1
94a	90-0291-0000	SOCKET		1
94b	90-0292-0000	TERMINAL		3
95	90-0278-0000	CABLE		2
96	90-0279-0000	CABLE		1
97	90-0280-0000	CABLE		1
98	90-0281-0000	CABLE		1



Housing-Idle Side

9

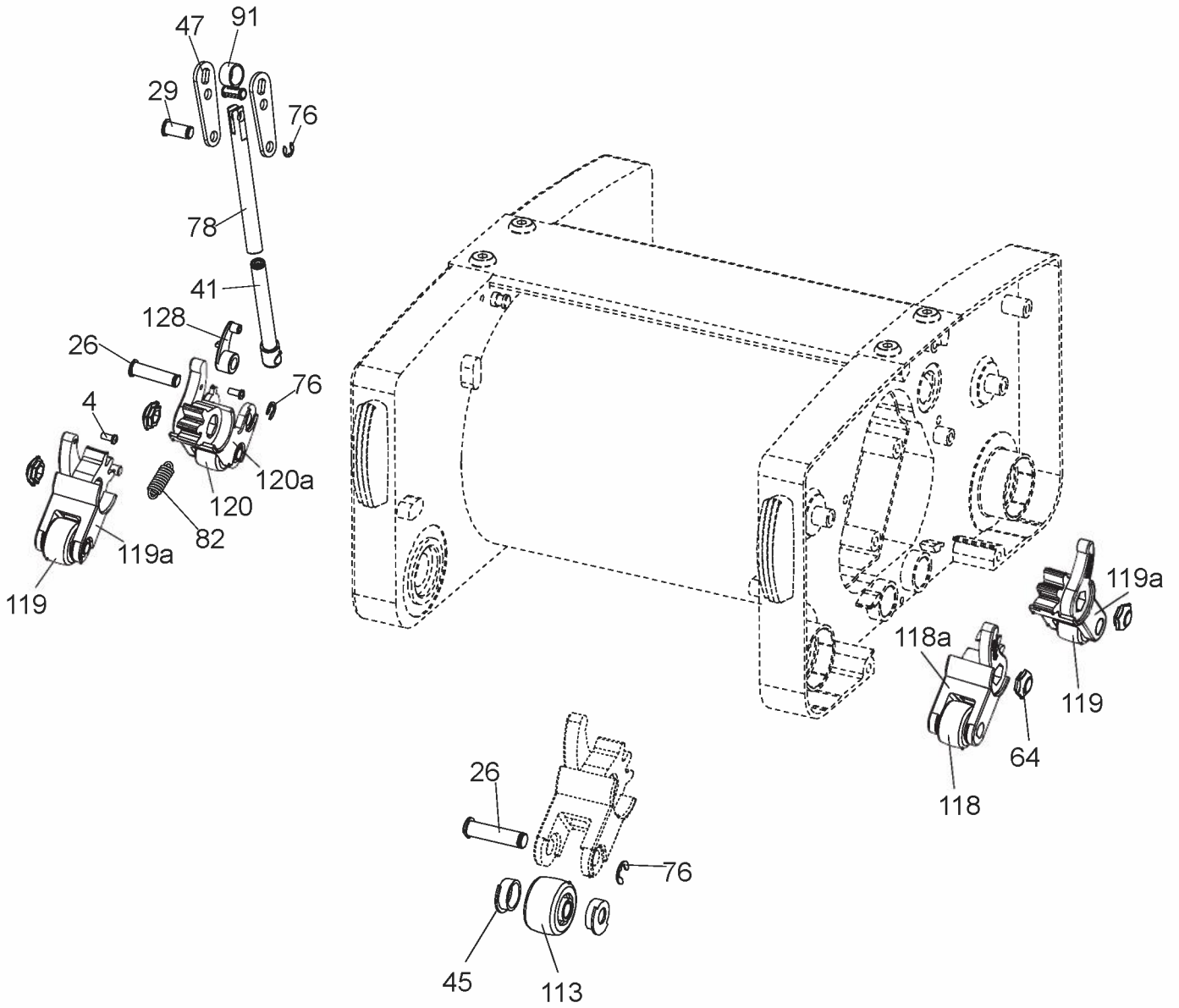
Ref. No	Part No	Description	Size	Qty
99	90-0282-0000	CABLE		1
100	90-0260-0000	SPRING-PEDAL		1
105	90-0390-0000	BUMPER SLEEVE		3
129	90-0265-0000	LEVER SWITCH ACT		1
131	90-0262-0000	INSULATION TOP		1
132	90-0263-0000	INSULATION BOTTOM		1
133	90-0295-0000	NUT		1
188	90-0397-0000	SLEEVE TIE ROD		3
V2,V3,		Variant's Refer Page No. 19		
V5,V8		Variant's Refer Page No. 19		



Tank Assembly

11

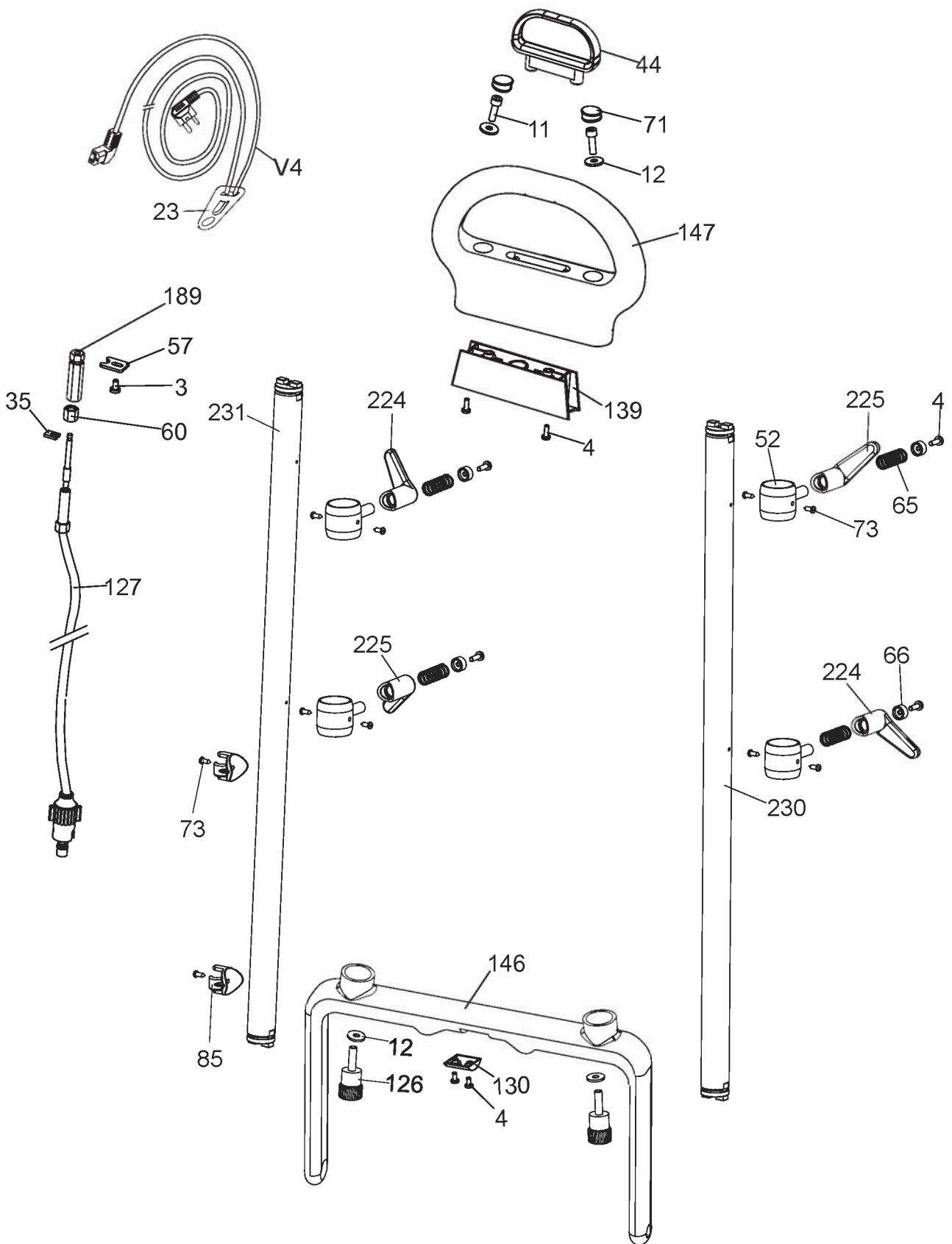
Ref. No	Part No	Description	Size	Qty
3	90-0002-0000	CRPH SCREW	M4x8	3
13	90-0007-0000	WASHER	4.2x12x1.6	3
30	90-0016-0000	VALVE BODY		1
40	90-0023-0000	GASKET		1
73	90-0183-0000	SELF TAPPING SCREW		2
74	90-0047-0000	SPACER		1
122b	90-0055-0000	LID PAD		4
124	90-0076-0000	FILTER		1
138	90-0091-0000	CHANNEL-TANK		1
145	90-0106-0000	FRESH WATER TANK		1
148	90-0108-0000	LID ASSY-FRESH WATER		1
148a	90-0201-0000	LID-FRESH WATER		1
149	90-0109-0000	LID ASSY-DIRTY WATER		1
149a	90-0217-0000	LID-DIRTY WATER		1
151	90-0237-0000	DIRTY WATER TANK		1



Lever and Guide Link Mechanism

13

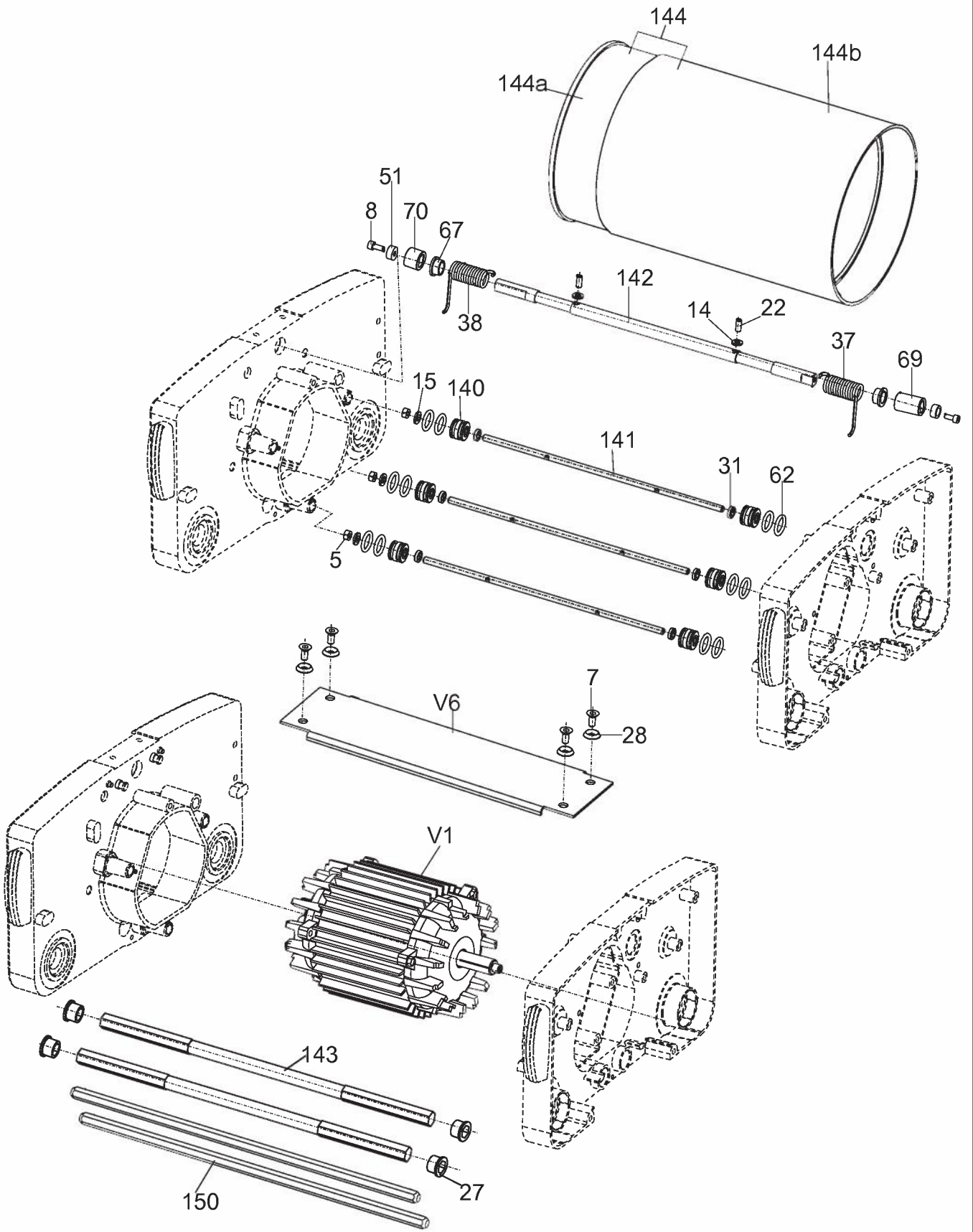
Ref. No	Part No	Description	Size	Qty
4	90-0046-0000	CRPH SCREW	M4x12	2
26	90-0151-0000	CLEVIS PIN		5
29	90-0153-0000	CLEVIS PIN		1
41	90-0159-0000	LINK		1
45	90-0162-0000	SHIELD		8
47	90-0163-0000	LEVER		2
64	90-0177-0000	LEVER BUTTON		4
76	90-0051-0000	CIRCLIP		6
78	90-0186-0000	LINK GUIDE		1
82	90-0284-0000	SPRING		1
91	90-0257-0000	BUSH		1
113	90-0196-0000	WHEEL		4
118	90-0068-0000	LEVER ASSY		1
118a	90-0173-0000	LEVER		1
119	90-0069-0000	LEVER ASSY		2
119a	90-0174-0000	LEVER		2
120	90-0070-0000	LEVER ASSY		1
120a	90-0175-0000	LEVER		1
128	90-0266-0000	LEVER SWITCH		1



Handle Assembly

15

Ref. No	Part No	Description	Size	Qty
3	90-0002-0000	CRPH SCREW	M4x8	1
4	90-0046-0000	CRPH SCREW	M4x12	8
11	90-0005-0000	ALLEN SCREW	M6x20	2
12	90-0006-0000	WASHER	6.4x18x2	4
23	90-0010-0000	CABLE RETAINER		1
35	90-0018-0000	CLAMP		1
44	90-0026-0000	PULL HANDLE		1
52	90-0168-0000	BASE-CABLE HOLDER		4
57	90-0032-0000	CLAMP		1
60	90-0038-0000	NUT		1
65	90-0041-0000	SPRING		4
66	90-0042-0000	WASHER		4
71	90-0044-0000	PLUG		2
73	90-0183-0000	SELF TAPPING SCREW		10
85	90-0050-0000	GUIDE		2
126	90-0296-0000	KNOB		2
127	90-0234-0000	PULL CABLE		1
130	90-0270-0000	DUMMY		1
139	90-0207-0000	CAP		1
146	90-0232-000	BOTTOM HANDLE		1
147	90-0233-0000	TOP HANDLE		1
189	90-0465-0000	SLEEVE		1
224	90-0402-0000	KNOB-CABLE HOLDER-II		2
225	90-0429-0000	KNOB-CABLE HOLDER-I		2
230	90-0451-0000	PIPE-LH		1
231	90-0452-0000	PIPE-RH		1
V4		Variants Refer Page No. 19		



Motor, Drum and Bridge Assembly

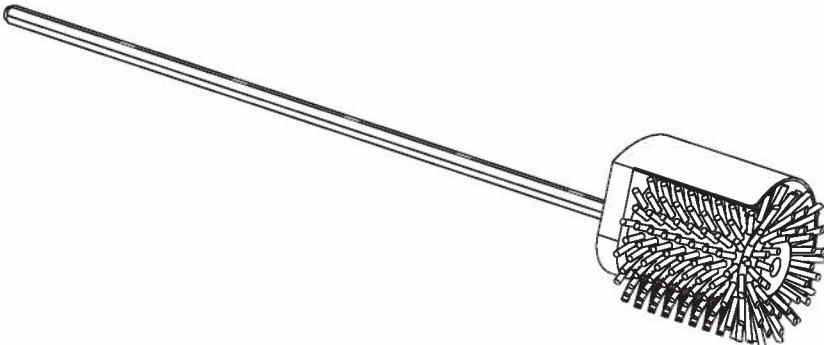
17

Ref. No	Part No	Description	Size	Qty
5	90-0142-0000	HEX NUT	M6	3
7	90-0143-0000	CSK SCREW	M6x14	4
8	90-0004-0000	ALLEN SCREW	M4x10	2
14	90-0146-0000	WASHER	5.2x10x1.6	2
15	90-0147-0000	WASHER	6.4x12x1.6	3
22	90-0150-0000	GRUB SCREW	M5x12	2
27	90-0015-0000	BUSH		4
28	90-0152-0000	WASHER		4
31	90-0017-0000	WASHER		6
37	90-0157-0000	SPRING		1
38	90-0158-0000	SPRING		1
51	90-0030-0000	WASHER		2
62	90-0176-0000	O' RING		12
67	90-0178-0000	BUSH		2
69	90-0180-0000	BUSH		1
70	90-0181-0000	BUSH		1
140	90-0215-0000	ROLLER		6
141	90-0097-0000	TIE ROD		3
142	90-0098-0000	SHAFT		1
143	90-0216-0000	HEX SHAFT		2
144	90-0305-0000	DRUM ASSY		1
144a	90-0288-0000	DRUM		1
144b	90-0289-0000	DRUM SLEEVE		1
150	90-0114-0000	BRUSH SHAFT		2

V1, V6 Variants Refer Page No. 19

Side Brush Assembly

90-0134-0000



BRUSH

SL.NO	PART NO	DESCRIPTION
1	90-0127-0000	BRUSH-STD
2	90-0133-0000	BRUSH-POLISHING
3	90-0339-0000	BRUSH-HARD

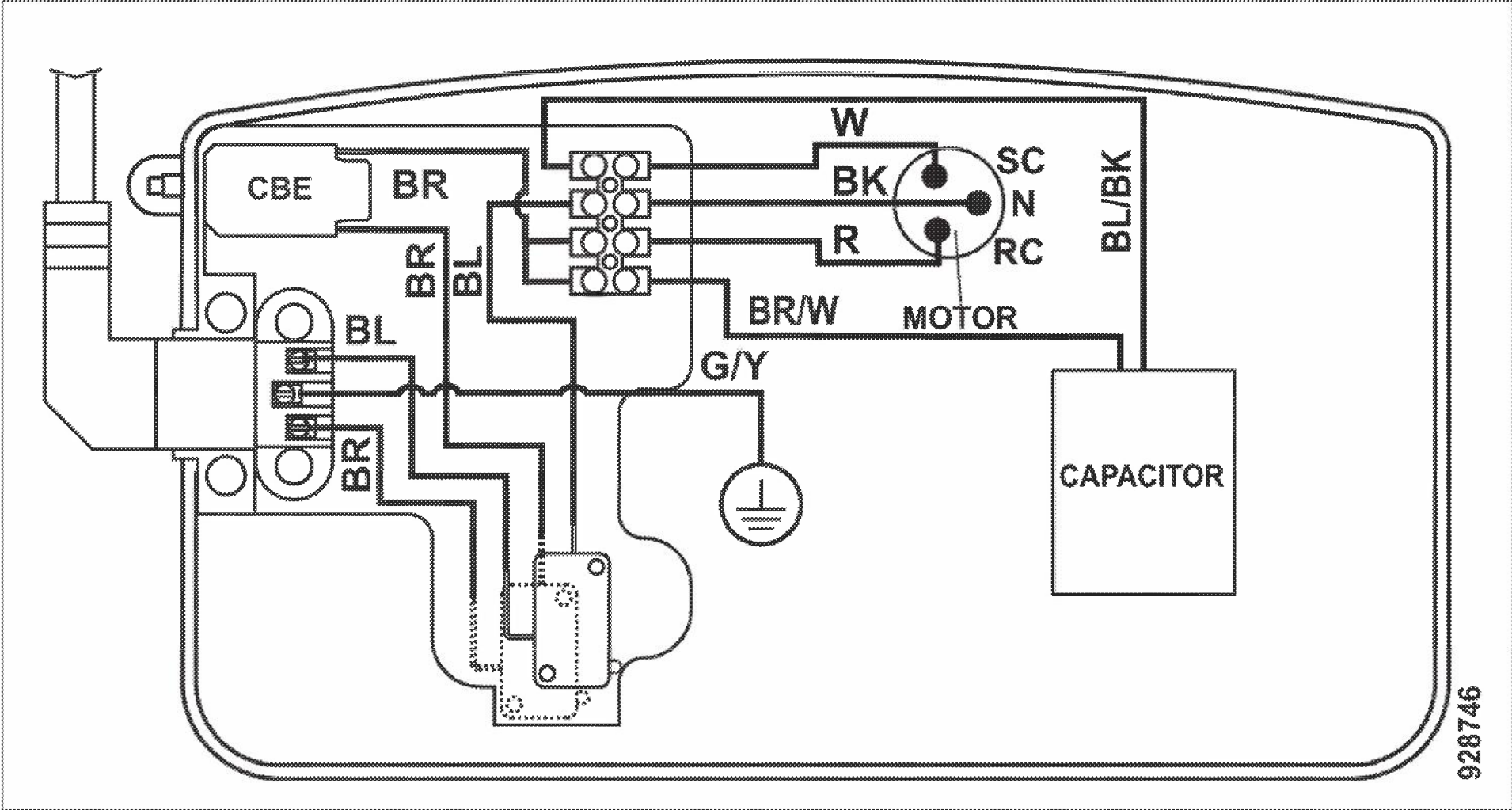
TROLLEY

1	05-3395-0000	TROLLEY
---	--------------	---------

Variants

Ref. No	Part No	Description	Qty
V1	90-0271-0000	MOTOR (230V, 50Hz)	1
V2	90-0272-0000	CAPACITOR (13 MFD)	1
V3	90-0056-0000	CIRCUIT BREAKER (3.5A)	1
V4	90-0299-0000	POWER CORD (UK)	1
V5	90-0329-0000	IDLE HOUSING	1
V6	90-0245-0000	BRIDGE	1
V7	90-0330-0000	DRIVE HOUSING	1
V8	90-0126-0000	COVER	2

Electrical Diagram



1. Electrical layout of N/T model