

Clemas & Co Ltd

Industrial Cleaning Equipment
Sales - Hire - Service

TENNANT R3 CARPET CLEANER PARTS MANUAL



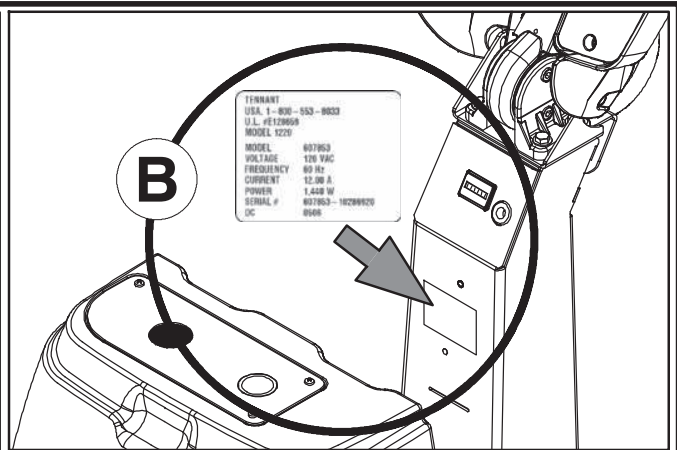
Clemas & Co. Unit 5 Ashchurch Business Centre, Alexandra Way, Tewkesbury,
Gloucestershire, GL20 8NB.

Tel: 01684 850777

Fax: 01684 850707

Email: info@clemas.co.uk

Web: www.clemas.co.uk



Ref	Part No.	Serial Number	Description	Qty.
1	82681	(000000-)	Bracket Wldt, Lpg Mount	1
▽ 2	63810	(000000-)	Latch Assy, Lpg Tank Mtg, W/Nut	4
▲ 3	51839	(000000-)	Nut Adjustable, Lpg Tank Mtg	2
4	49263	(000000-)	Tie, Cable	3
(D)	82556	(000000-001039)	Bracket, Vaporizer	1
	54930	(000000-)	Vaporizer, LPG	1

HOW TO ORDER PARTS - See diagram above

Only use TENNANT Company supplied or equivalent parts. Parts and supplies may be ordered online, by phone, by fax or by mail.

Follow the steps below to ensure prompt delivery.

1. (A) Identify the machine model.
2. (B) Identify the machine serial number from the data label.
3. (C) Ensure the proper serial number is used from the parts list.
4. Identify the part number and quantity. Do not order by page or reference numbers.
5. Provide your name, company name, customer ID number, billing and shipping address, phone number and purchase order number.
6. Provide detail shipping instructions.

(D) ▽ - identifies an assembly
 ▲ - identifies parts included in assembly

Please fill out at time of installation for future reference.

Model No. - _____

Serial No. - _____

Machine Options - _____

Sales Rep. - _____

Sales Rep. phone no. - _____

Customer ID Number - _____

Installation Date - _____

RECOMMENDED MAINTENANCE ITEMS

GENERAL RECOMMENDED MAINTENANCE ITEMS	10
------------------------------------------------	----

STANDARD PARTS

HANDLE GROUP, 120V	12
HANDLE GROUP, 230V	14
FRAME GROUP, 120V	16
FRAME GROUP, 230V	18
TANKS AND SHROUD GROUP	20
TANK COVER GROUP	22
VACUUM FAN GROUP	24
SOLUTION GROUP	26
SCRUB HEAD GROUP, 120V	28
SCRUB HEAD GROUP, 230V	30
ROLLER TOOL GROUP	32
ELECTRICAL DIAGRAM, 120V	34
ELECTRICAL DIAGRAM, 230V	35

OPTIONS

FLOOR TOOL GROUP, 8 in / 203 mm (NEW STYLE)	36
FLOOR TOOL GROUP, 8 in / 203 mm (OLD STYLE)	38
HAND TOOL GROUP, 4 in / 101 mm (NEW STYLE)	40
HAND TOOL GROUP, 4 in / 101 mm (OLD STYLE)	41
PUMP-UP CARPET SPRAYER	42

RECOMMENDED MAINTENANCE ITEMS

GENERAL RECOMMENDED MAINTENANCE ITEMS

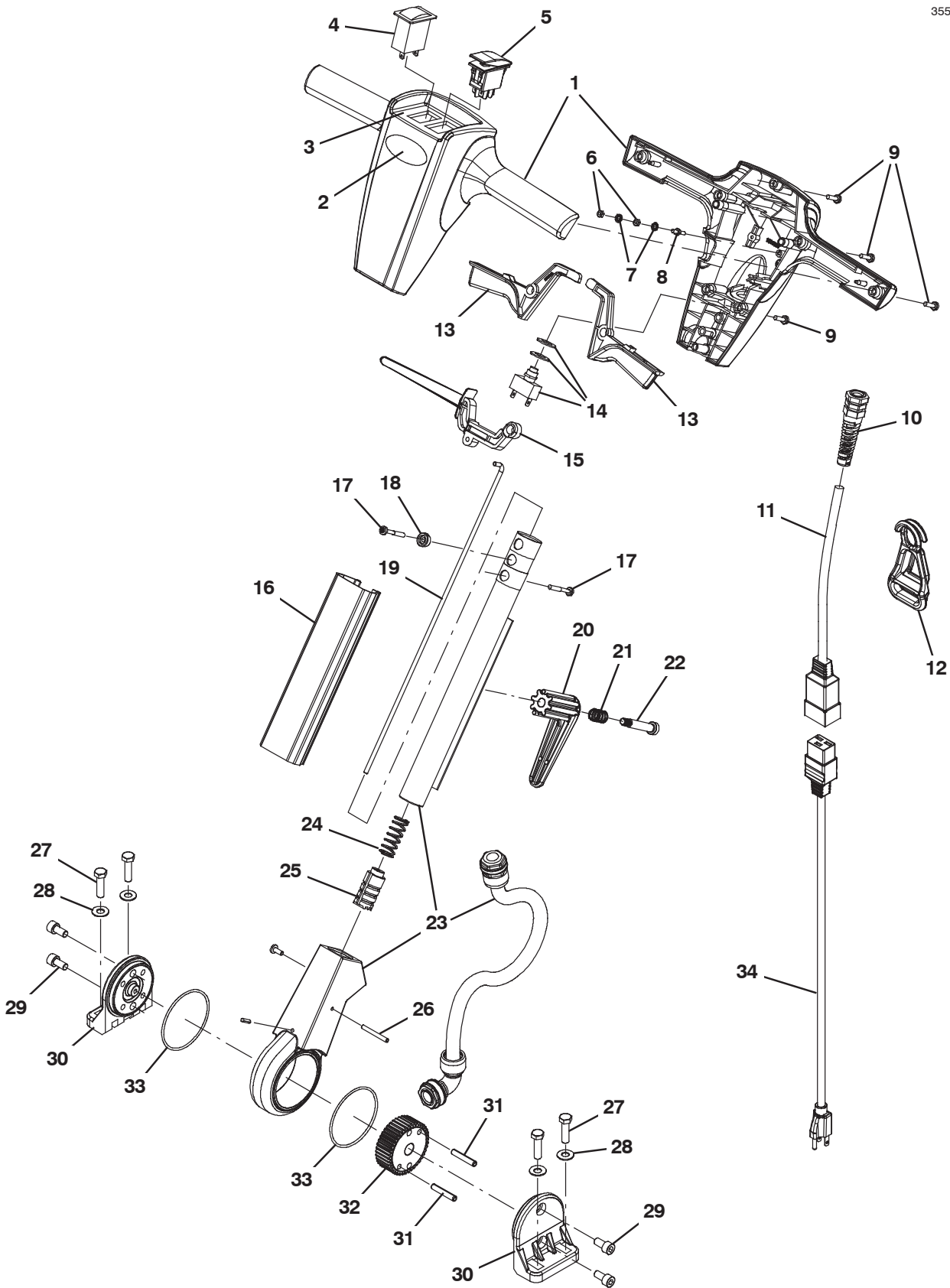
Part No.	Serial Number	Description	Qty.
1014918	(60000000-) Wheel, 03.0d 0.88w 0.31b, W/ Bshg, Rbr	2
1039073	(60000000-) Wheel Assy, 8.0d 2.0w 0.5b W/Brg	2
1032556	(60000000-) Filter, Soltn Tube, 80 Mesh	1
1044370	(60000000-) Ball, Float, W/O Cage	1
1036090	(60000000-) Seal, Vacuum [Trex]	2
1052876	(60000000-) Gasket, Tank	2
605317	(60000000-) Roller, Sqge, 1.35od X 1.48l [Delrin]	2
1028953	(60000000-) Roller Assy, Readyspace	2
9004282	(60000000-) Belt Kit, W/ Installation Tool [Qty 2]	1
1034819	(60000000-) Gasket, Tool ,Cover	2

RECOMMENDED MAINTENANCE ITEMS

STANDARD PARTS

HANDLE GROUP, 120V

355070



HANDLE GROUP, 120V

Ref.	Part No.	Serial Number	Description	Qty.
▽	9005507	(60000000-) Handle, Tennant R3 [120 Volt]	1
▲▽	1 9004318	(60000000-) Cover, Handle Front/Rear Tennant R3 Kit	1
▲▲	2 1042589	(60000000-) Label, Logo, 02.50l, White [Tennant]	1
▲▲	3 1034592	(60000000-) Label, Opertnl, Instrmt Panl, Readyspace	1
▲	4 1038375	(60000000-) Gauge, Ammeter, 120vac, 5.0a [Rlr Press]	1
▲	5 602919	(60000000-) Switch, Rocker, Dpdt, On / On	1
▲	6 42368	(60000000-) Nut, Hex, Std, M4 X 0.70, 8	2
▲	7 140061	(60000000-) Washer, Lock, Ext, 08, PI	2
▲	8 1034952	(60000000-) Screw, Hex, M4 X 0.7 X 12, Dbl Thrd	1
▲	9 1043573	(60000000-) Screw, #10-14 X 0.675, Spl[Shcs,Selftap]	7
▲	10 130166	(60000000-) Grip, Cord, Strainrelief Pg-11 W/Nut Bk	1
▲	11 1042410	(60000000-) Cord, 14ga /3, 16.0l, W/ Receptacle, Yel	1
▲	12 1037147	(60000000-) Clip, Cord, Strainrelief, Black	1
▲	13 1033893	(60000000-) Lever, Cntrl, Switch [Trex]	2
▲	14 9008568	(60000000-) Switch Kit, W/ Washers, Fr/ F/1063165	1
▲	15 1034945	(60000000-) Lever, Adjmt, Handle	1
▲	16 1034181	(60000000-) Cover, Handle, Tennant [Trex]	1
▲	17 1043572	(60000000-) Screw, #10-14 X 01.5, Spl[Shcs Selftap]	2
▲	18 1034176	(60000000-) Bushing, Flng, 5mmb 12mmd 8mml, Pa6	1
▲	19 1034180	(60000000-) Rod, Release [Trex]	1
▲	20 603104	(60000000-) Hook, Cord, Blk [Quick-Release]	1
▲	21 603108	(60000000-) Spring, Cmpr, Switch	1
▲	22 140239	(60000000-) Bolt, Shld, .38d X 1.75, .31-18	1
▲	23 1045239	(60000000-) Tube, Assy, Handle	1
▲	24 1013295	(60000000-) Spring, Cmpr [2100 Series]	1
▲	25 9006059	(60000000-) Plunger Kit, Handle	1
▲	26 1034924	(60000000-) Pin, Roll, 04mmd X 40mml	1
▲	27 1016399	(60000000-) Screw, Hex, M8 X 1.25 X 30, NI, Ss	4
▲	28 140027	(60000000-) Washer, Flat, 0.35b 0.75d .04, Ss	4
▲	29 49609	(60000000-) Screw, Soc, M8 X 1.25 X 16, 12.9	4
▲	30 1000307	(60000000-) Handle, Pivot, Half	2
▲	31 1034155	(60000000-) Pin, Roll, 06mmd X 36mml	2
▲	32 1034872	(60000000-) Gear, Lock, Handle	1
▲	33 612422	(60000000-) Seal, Org, Gear Seat	2
▲	34 1042403	(60000000-) Cord, Power, 1.5mm /3 Yel[2x15m 50ft Us]	1

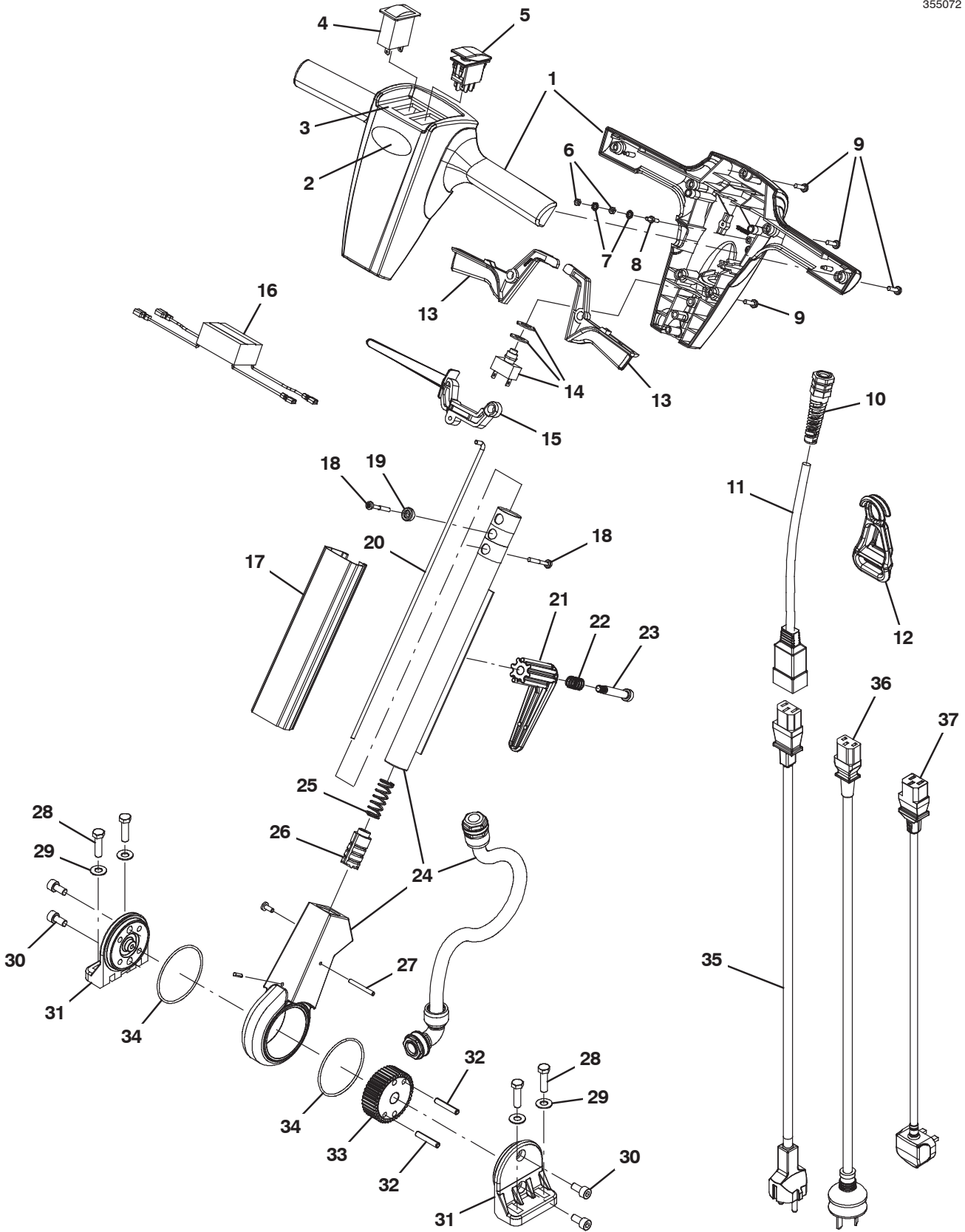
▽ ASSEMBLY

▲ INCLUDED IN ASSEMBLY

STANDARD PARTS

HANDLE GROUP, 230V

355072



HANDLE GROUP, 230V

Ref.	Part No.	Serial Number	Description	Qty.
▽	9005510	(60000000-) Handle, Tennant R3 [230 Volt]	1
▲▽	1 9004318	(60000000-) Cover, Handle Front/Rear Tennant R3 Kit	1
▲▲	2 1042589	(60000000-) Label, Logo, 02.50l, White [Tennant]	1
▲▲	3 1034592	(60000000-) Label, Opertnl, Instrmt Panl, Readyspace	1
▲	4 1035742	(60000000-) Gauge, Ammeter, 230vac, 2.25a [Rlr Prs]	1
▲	5 602919	(60000000-) Switch, Rocker, Dpdt, On / On	1
▲	6 42368	(60000000-) Nut, Hex, Std, M4 X 0.70, 8	2
▲	7 140061	(60000000-) Washer, Lock, Ext, 08, PI	2
▲	8 1034952	(60000000-) Screw, Hex, M4 X 0.7 X 12, Dbl Thrd	1
▲	9 1043573	(60000000-) Screw, #10-14 X 0.675, Spl[Shcs,Selftap]	7
▲	10 130166	(60000000-) Grip, Cord, Strainrelief Pg-11 W/Nut Bk	1
▲	11 1040343	(60000000-) Cord, 14ga /3, 16.0l, W/ Receptacle, Blk	1
▲	12 1037147	(60000000-) Clip, Cord, Strainrelief, Black	1
▲	13 1033893	(60000000-) Lever, Cntrl, Switch [Trex]	2
▲	14 9008568	(60000000-) Switch Kit, W/ Washers, Fr/ F/1063165	1
▲	15 1034945	(60000000-) Lever, Adjmt, Handle	1
▲	16 1054252	(60000000-) Filter, Handle, 250 Vac, 50/60hz, 8amp	1
▲	17 1034181	(60000000-) Cover, Handle, Tennant [Trex]	1
▲	18 1043572	(60000000-) Screw, #10-14 X 01.5, Spl[Shcs Selftap]	2
▲	19 1034176	(60000000-) Bushing, Flng, 5mmb 12mmd 8mml, Pa6	1
▲	20 1034180	(60000000-) Rod, Release [Trex]	1
▲	21 603104	(60000000-) Hook, Cord, Blk [Quick-Release]	1
▲	22 603108	(60000000-) Spring, Cmpr, Switch	1
▲	23 140239	(60000000-) Bolt, Shld, .38d X 1.75, .31-18	1
▲	24 1045239	(60000000-) Tube, Assy, Handle	1
▲	25 1013295	(60000000-) Spring, Cmpr [2100 Series]	1
▲	26 9006059	(60000000-) Plunger Kit, Handle	1
▲	27 1034924	(60000000-) Pin, Roll, 04mmd X 40mml	1
▲	28 1016399	(60000000-) Screw, Hex, M8 X 1.25 X 30, NI, Ss	4
▲	29 140027	(60000000-) Washer, Flat, 0.35b 0.75d .04, Ss	4
▲	30 49609	(60000000-) Screw, Soc, M8 X 1.25 X 16, 12.9	4
▲	31 1000307	(60000000-) Handle, Pivot, Half	2
▲	32 1034155	(60000000-) Pin, Roll, 06mmd X 36mml	2
▲	33 1034872	(60000000-) Gear, Lock, Handle	1
▲	34 612422	(60000000-) Seal, Org, Gear Seat	2
	35 1035571	(60000000-) Cord, Extn, 1.5mm /3 [2x20m, Ce]	1
	36 1036912	(60000000-) Cord, Power, 1.5mm /3 Blk [2x15m, Aus]	1
	37 1036891	(60000000-) Cord, Power, 1.5mm /3 Blk [2x20m,Uk]	1

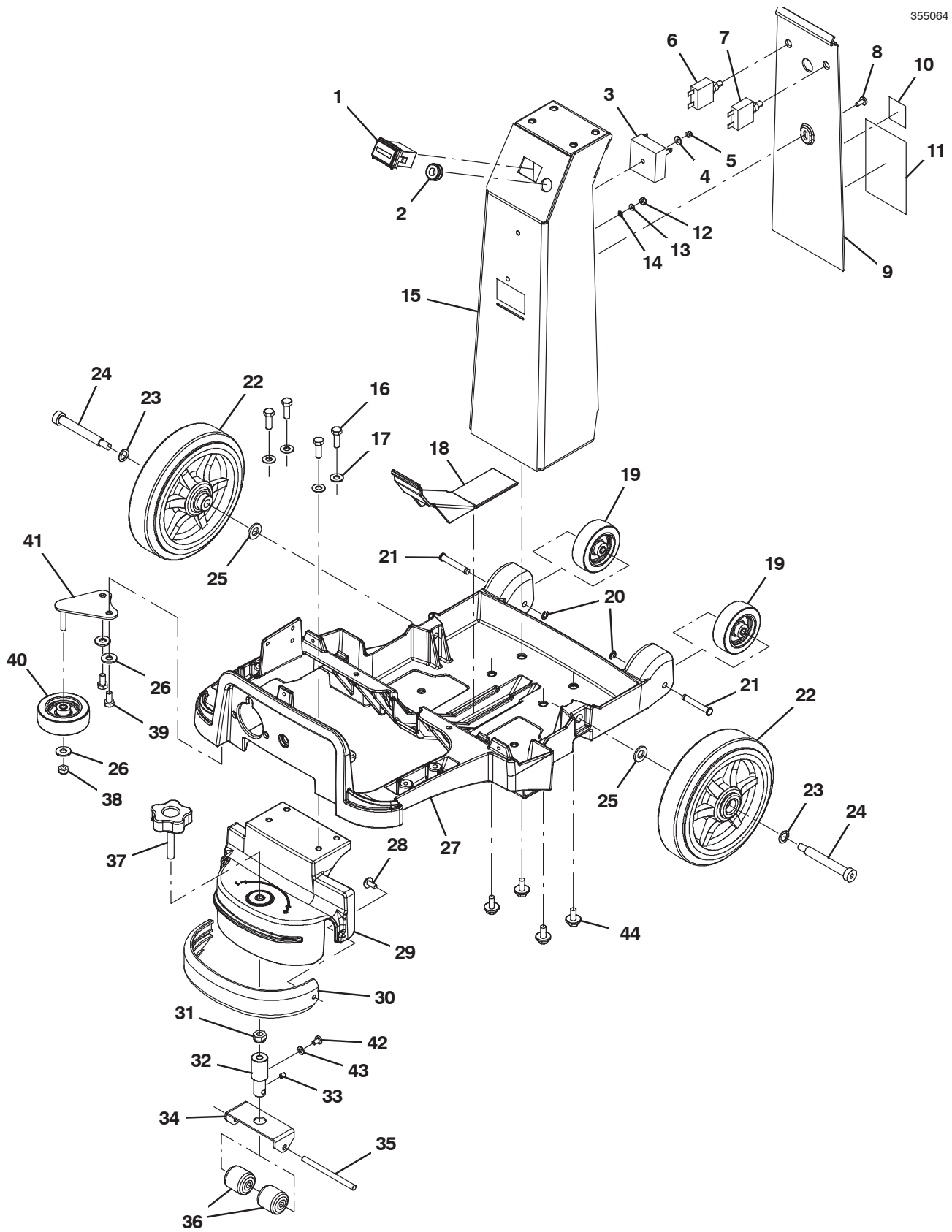
▽ ASSEMBLY

▲ INCLUDED IN ASSEMBLY

STANDARD PARTS

FRAME GROUP, 120V

355064



FRAME GROUP, 120V

Ref.	Part No.	Serial Number	Description	Qty.	
1	1064038	(60000000-) Gauge, Hourmeter, 05-277 Volt, Ac / Dc	1	
2	86726	(60000000-) Grommet, Rbr, 0.44id, F/0.5h, .19 Matl	1	
3	1032018	(60000000-) Module, Timer, 120vac [Trex Readyspace]	1	
4	01683	(60000000-) Washer, Flat, 10, Ss	1	
5	09739	(60000000-) Nut, Hex, Lock, M5 X 0.80, NI, Ss	1	
6	383720	(60000000-) Circuitbreaker, 05.0a, Resetable	1	
7	383722	(60000000-) Circuitbreaker, 15.0a, Resetable	1	
8	74027	(60000000-) Screw, Pan, Phl, M6 X 1.00 X 12, NI, Pl	1	
▽	9	9004275	(60000000-) Cover Kit, Column , W/ Label [5gal 120v]	1
▲	10	NA	(60000000-) Label, Safety, 120vac [Etl]	1
▲	11	1039105	(60000000-) Label,Warning,Ac Scrb/Extr [En/Fr/Es/Jp]	1
12	1044427	(60000000-) Nut, Hex, Lock, #8-32, NI, Ss	1	
13	41578	(60000000-) Washer, Flat, 06, Ss	1	
14	02938	(60000000-) Washer, Lock, Int, 08, Ss	1	
15	9004274	(60000000-) Column Kit, Sppt, W/ Label [5 Gal]	1	
16	1015852	(60000000-) Screw, Hex, M8 X 1.25 X 25, NI, Fl, Ss	4	
17	140027	(60000000-) Washer, Flat, 0.35b 0.75d .04, Ss	4	
18	1031418	(60000000-) Cover, Frame, Rear [Trex]	1	
19	1014918	(60000000-) Wheel, 03.0d 0.88w 0.31b, W/ Bshg, Rbr	2	
20	1035139	(60000000-) Ring, Retaining, Ext, 0.31d, E-Type	2	
21	1035137	(60000000-) Pin, Clevis, Grvd 0.31d X 2.00l, Ss	2	
22	1039073	(60000000-) Wheel Assy, 8.0d 2.0w 0.5b W/Brg	2	
23	1038770	(60000000-) Washer, Flat, 0.50b 0.75d 0.06, Ss	2	
24	1033757	(60000000-) Bolt, Shld, .50 X 3.25, .38-16, Ss	2	
25	33925	(60000000-) Washer, Flat, M12, Ss	2	
26	01685	(60000000-) Washer, Flat, 0.38b 0.88d .08, Ss	3	
27	1031527	(60000000-) Frame (Machined)	1	
28	1019349	(60000000-) Screw, Trs, M6 X 1.00 X 16, Ss, Sems	2	
29	1051665	(60000000-) Bracket, Adjustment, Head	1	
30	1036668	(60000000-) Bumper, Front	1	
31	08714	(60000000-) Nut, Hex, Lock, M10 X 1.5, NI, Ss	1	
32	1051666	(60000000-) Adjuster, Roller	1	
33	09162	(60000000-) Screw, Set, Soc, M6 X 1.00 X 8, NI	1	
34	1035496	(60000000-) Bracket, Roller	1	
35	1035519	(60000000-) Bar, Rnd, Stl, 0.31d X 4.09l, 2cham	1	
36	605317	(60000000-) Roller, Sqge, 1.35od X 1.48l [Delrin]	2	
37	1036002	(60000000-) Knob, Adj, M10 X50 Stud, Blk	1	
38	08713	(60000000-) Nut, Hex, Lock, M8 X 1.25, NI, Ss	1	
39	49826	(60000000-) Screw, Hex, M8 X 1.25 X 16, NI, Ss	2	
40	1014918	(60000000-) Wheel, 03.0d 0.88w 0.31b, W/ Bshg, Rbr	1	
41	1034805	(60000000-) Bracket, Bumper Wheel	1	
42	48732	(60000000-) Screw, Pan, Phl, M6 X 1.00 X 10, Ss	1	
43	140016	(60000000-) Washer, Lock, Split, 0.25, Ss	1	
44	1020341	(60000000-) Screw, Hex, M8 X 1.25 X 20, Ss, Sems	4	
N/S	1033926	(60000000-) Harness, Chassis, Ele [T-Rex Readyspace]	1	

▽ ASSEMBLY

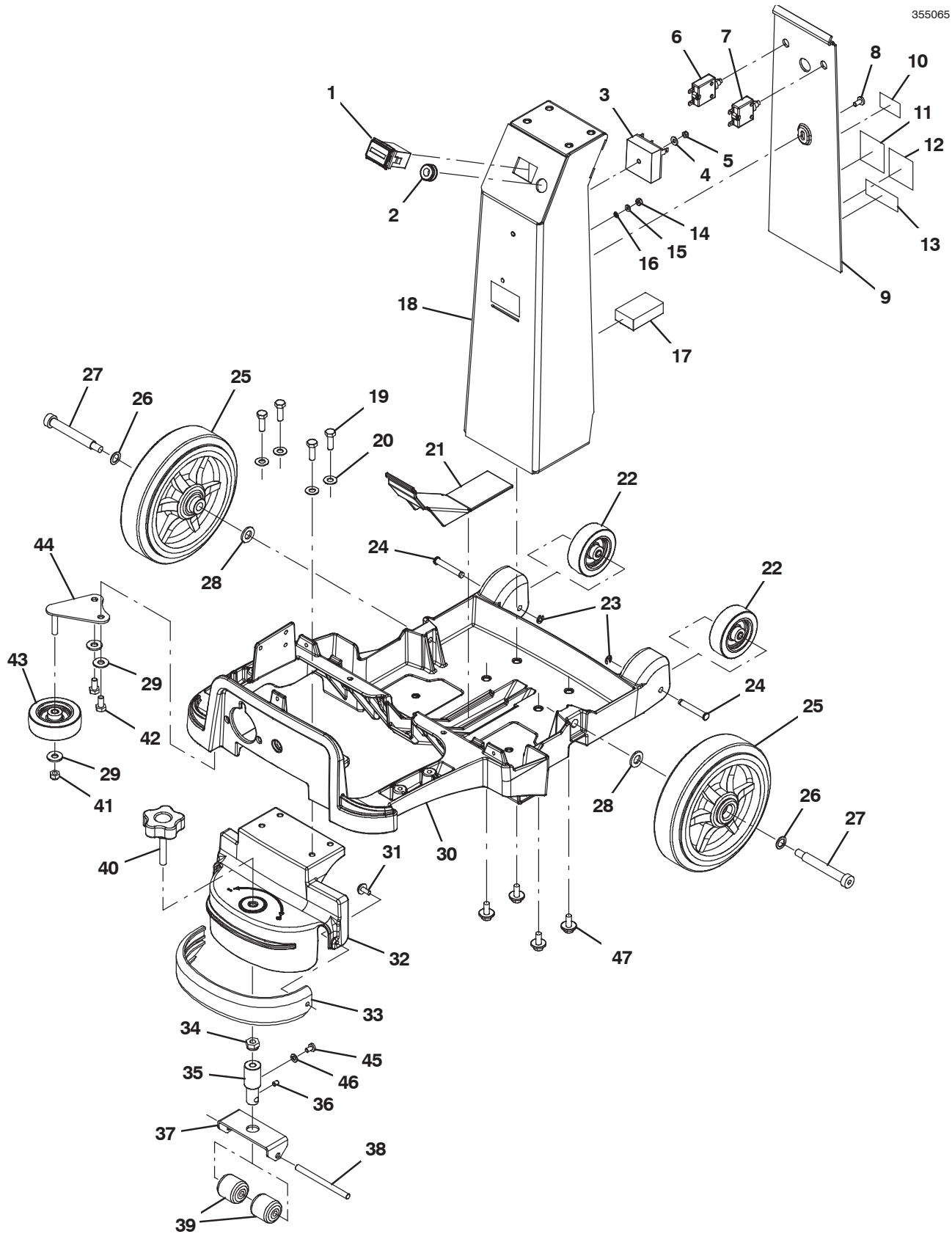
▲ INCLUDED IN ASSEMBLY

N/S = NOT SHOWN

STANDARD PARTS

FRAME GROUP, 230V

355065



FRAME GROUP, 230V

Ref.	Part No.	Serial Number	Description	Qty.
	1	1064038	(60000000-) Gauge, Hourmeter, 05-277 Volt, Ac / Dc	1
	2	86726	(60000000-) Grommet, Rbr, 0.44id, F/0.5h, .19 Matl	1
	3	1032245	(60000000-) Module, Timer, 240vac[T-Rex Readyspace]	1
	4	01683	(60000000-) Washer, Flat, 10, Ss	1
	5	09739	(60000000-) Nut, Hex, Lock, M5 X 0.80, NI, Ss	1
	6	1037100	(60000000-) Circuitbreaker, 2.5 Amp, 230 Volt	1
	7	1037086	(60000000-) Circuitbreaker, 7.5 Amp, 230 Volt	1
	8	74027	(60000000-) Screw, Pan, Phl, M6 X 1.00 X 12, NI, PI	1
▽	9	9004294	(60000000-) Column, Cover W/ Labels 5 Gal 230v Kit	1
▲	10	NA	(60000000-) Label, Safety, 230Vac [Ce, C-Tic]	1
▲	11	1030494	(60000000-) Label, Hzrd, Flammable Matl, Ce	1
▲	12	1028077	(60000000-) Label [Read Manual, Iso]	1
▲	13	993852	(60000000-) Label, Warning [Electrical Hazard]	1
	14	1044427	(60000000-) Nut, Hex, Lock, #8-32, NI, Ss	1
	15	41578	(60000000-) Washer, Flat, 06, Ss	1
	16	02938	(60000000-) Washer, Lock, Int, 08, Ss	1
	17	1043600	(60000000-) Filter, Pump, 250 Vac, 3a, 50/60hz	1
	18	9004274	(60000000-) Column Kit, Sppt, W/ Label [5 Gal]	1
	19	1015852	(60000000-) Screw, Hex, M8 X 1.25 X 25, NI, FI, Ss	4
	20	140027	(60000000-) Washer, Flat, 0.35b 0.75d .04, Ss	4
	21	1031418	(60000000-) Cover, Frame, Rear [Trex]	1
	22	1014918	(60000000-) Wheel, 03.0d 0.88w 0.31b, W/ Bshg, Rbr	2
	23	1035139	(60000000-) Ring, Retaining, Ext, 0.31d, E-Type	2
	24	1035137	(60000000-) Pin, Clevis, Grvd 0.31d X 2.00l, Ss	2
	25	1039073	(60000000-) Wheel Assy, 8.0d 2.0w 0.5b W/Brg	2
	26	1038770	(60000000-) Washer, Flat, 0.50b 0.75d 0.06, Ss	2
	27	1033757	(60000000-) Bolt, Shld, .50 X 3.25, .38-16, Ss	2
	28	33925	(60000000-) Washer, Flat, M12, Ss	2
	29	01685	(60000000-) Washer, Flat, 0.38b 0.88d .08, Ss	3
	30	1031527	(60000000-) Frame (Machined)	1
	31	1019349	(60000000-) Screw, Trs, M6 X 1.00 X 16, Ss, Sems	2
	32	1051665	(60000000-) Bracket, Adjustment, Head	1
	33	1036668	(60000000-) Bumper, Front	1
	34	08714	(60000000-) Nut, Hex, Lock, M10 X 1.5, NI, Ss	1
	35	1051666	(60000000-) Adjuster, Roller	1
	36	09162	(60000000-) Screw, Set, Soc, M6 X 1.00 X 8, NI	1
	37	1035496	(60000000-) Bracket, Roller	1
	38	1035519	(60000000-) Bar, Rnd, Stl, 0.31d X 4.09l, 2cham	1
	39	605317	(60000000-) Roller, Sqge, 1.35od X 1.48l [Delrin]	2
	40	1036002	(60000000-) Knob, Adj, M10 X50 Stud, Blk	1
	41	08713	(60000000-) Nut, Hex, Lock, M8 X 1.25, NI, Ss	1
	42	49826	(60000000-) Screw, Hex, M8 X 1.25 X 16, NI, Ss	2
	43	1014918	(60000000-) Wheel, 03.0d 0.88w 0.31b, W/ Bshg, Rbr	1
	44	1034805	(60000000-) Bracket, Bumper Wheel	1
	45	48732	(60000000-) Screw, Pan, Phl, M6 X 1.00 X 10, Ss	1
	46	140016	(60000000-) Washer, Lock, Split, 0.25, Ss	1
	47	1020341	(60000000-) Screw, Hex, M8 X 1.25 X 20, Ss, Sems	4
	N/S	1033926	(60000000-) Harness, Chassis, Ele [T-Rex Readyspace]	1

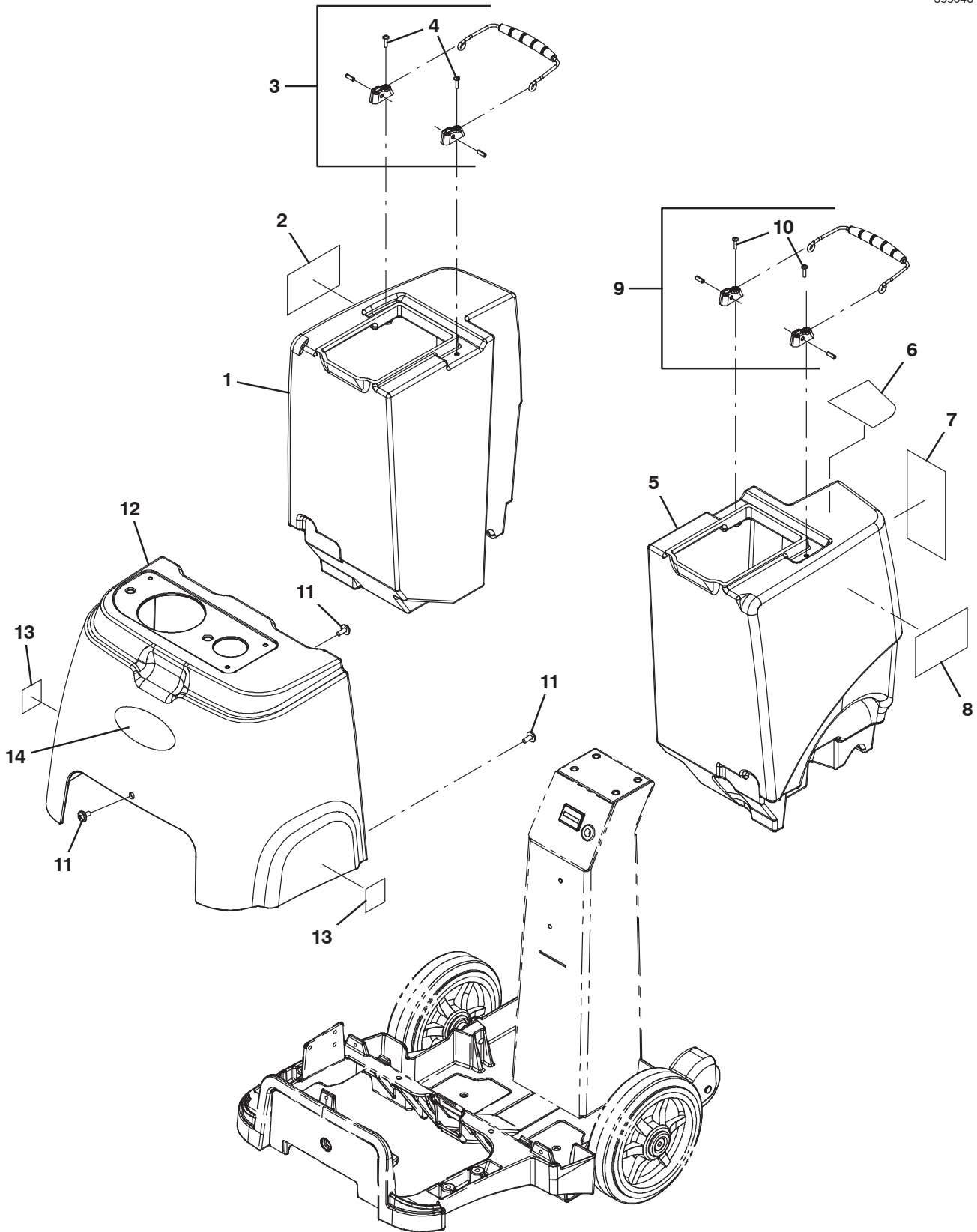
▽ ASSEMBLY

▲ INCLUDED IN ASSEMBLY

N/S = NOT SHOWN

TANKS AND SHROUD GROUP

355046



TANKS AND SHROUD GROUP

	Ref.	Part No.	Serial Number	Description	Qty.
▽	1	9004303	(60000000-) Tank, Rec W/ Labels Tennant 5 Gal Kit	1
▲	2	1039086	(60000000-) Label, Side [R3 Readyspace]	1
▲▽	3	9004285	(60000000-) Handle, Tank Kit	1
▲▲	4	24265	(60000000-) Screw, Pan, Phl, M4 X 0.70 X 16, Ss	2
▽	5	9004305	(60000000-) Tank, Sol W/ Labels Tennant 5 Gal Kit	1
▲	6	1038968	(60000000-) Label, Soltn, Tank [5.0 Gal]	1
▲	7	1040113	(60000000-) Label, Oper, Instr [Readyspace]	1
▲	8	1039086	(60000000-) Label, Side [R3 Readyspace]	1
▲▽	9	9004285	(60000000-) Handle, Tank Kit	1
▲▲	10	24265	(60000000-) Screw, Pan, Phl, M4 X 0.70 X 16, Ss	2
	11	1019349	(60000000-) Screw, Trs, M6 X 1.00 X 16, Ss, Sems	3
▽	12	9004298	(60000000-) Shroud, W/ Labels Tennant 5 Gal Kit	1
▲	13	578769	(60000000-) Decal, Moving Parts Textless	2
▲	14	1039084	(60000000-) Label, Logo, White, Tennant, 5.5"Lg	1

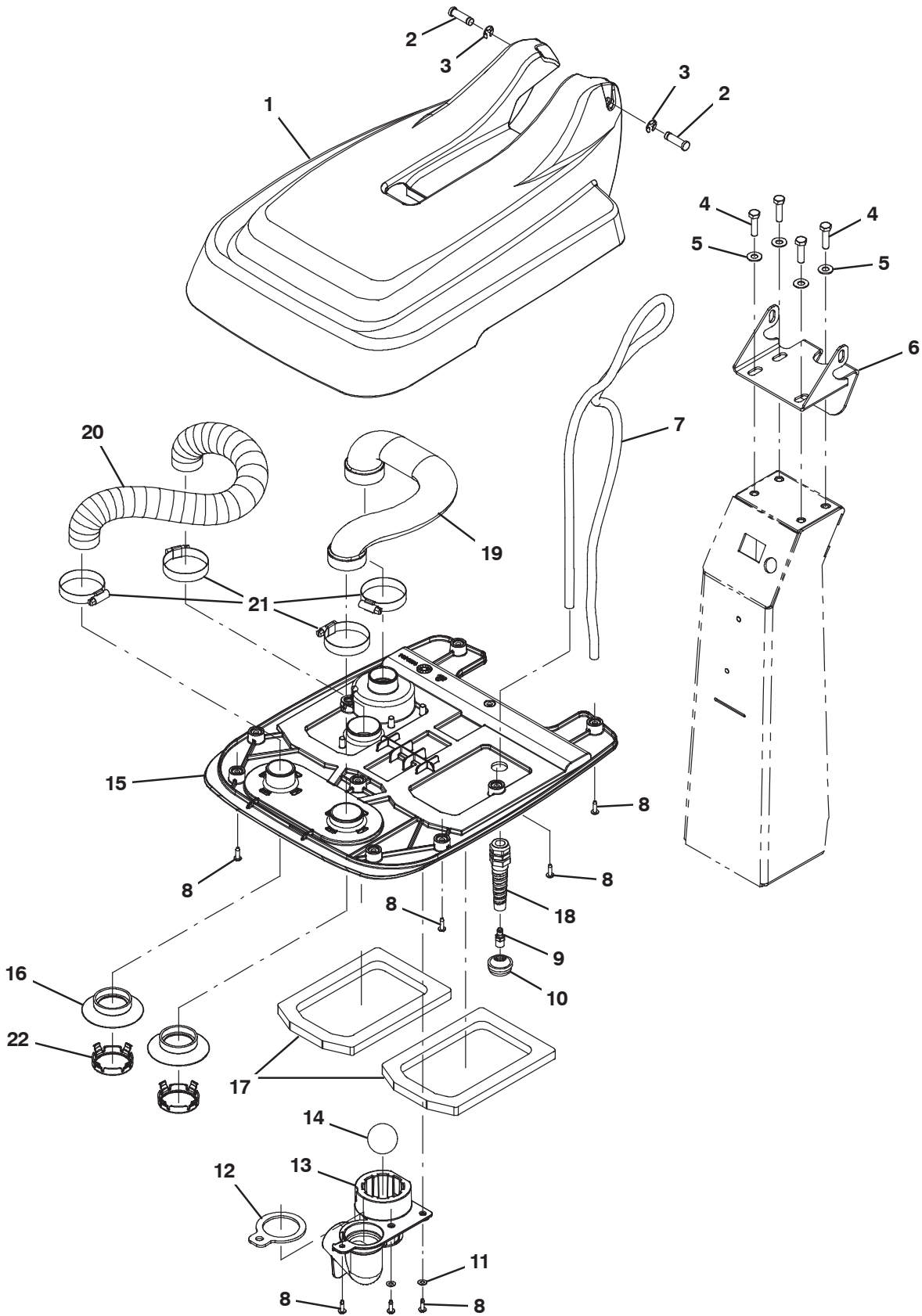
▽ ASSEMBLY

▲ INCLUDED IN ASSEMBLY

STANDARD PARTS

TANK COVER GROUP

355047



TANK COVER GROUP

Ref.	Part No.	Serial Number	Description	Qty.
1	1031638	(60000000-) Cover , Tank, Upper, Tennant [Trex]	1
2	1035358	(60000000-) Pin, Grvd, 0.375d, 1.25l	2
3	24555	(60000000-) Ring, Retaining, Ext, 0.38d, [E-Ring]	2
4	1016399	(60000000-) Screw, Hex, M8 X 1.25 X 30, NI, Ss	4
5	140027	(60000000-) Washer, Flat, 0.35b 0.75d .04, Ss	4
6	1034346	(60000000-) Bracket, Pivot, Cover, Mtg	1
7	1036063	(60000000-) Hose, Soltn, .25 Id, .453 Od, 56.0 L	1
8	140340	(60000000-) Screw, Pan, Phl, 10-24 X 0.62, Ss[Typ25]	13
9	1042715	(60000000-) Fitting, Brs, Str, Bm04/Pm02	1
10	1032556	(60000000-) Filter, Soltn Tube, 80 Mesh	1
11	140011	(60000000-) Washer, Flat, 0.21b 0.45d .03, Ss	2
12	1051274	(60000000-) Gasket, Shield, Float	1
13	1042277	(60000000-) Shield, Float	1
14	1044370	(60000000-) Ball, Float, W/O Cage	1
▽	15	9005924	(60000000-) Cover, Tank, Inner W/ Seals, Kit	1
▲	16	1036090	(60000000-) Seal, Vacuum [Trex]	2
▲	17	1052876	(60000000-) Gasket, Tank	2
▲	18	602849	(60000000-) Strainrelief, Cord, Ele, Pm08, Blk Nyl	1
	19	1035866	(60000000-) Hose, Recvy, Formed [Trex]	1
	20	1037756	(60000000-) Hose, Vacuum, 1.5od, 18.0l [Wire-Reinf]	1
	21	140308	(60000000-) Clamp, Hose, Wormdrive, 1.31-2.25d, .50w	4
	22	1054345	(60000000-) Clip, Retaining, Seal	2

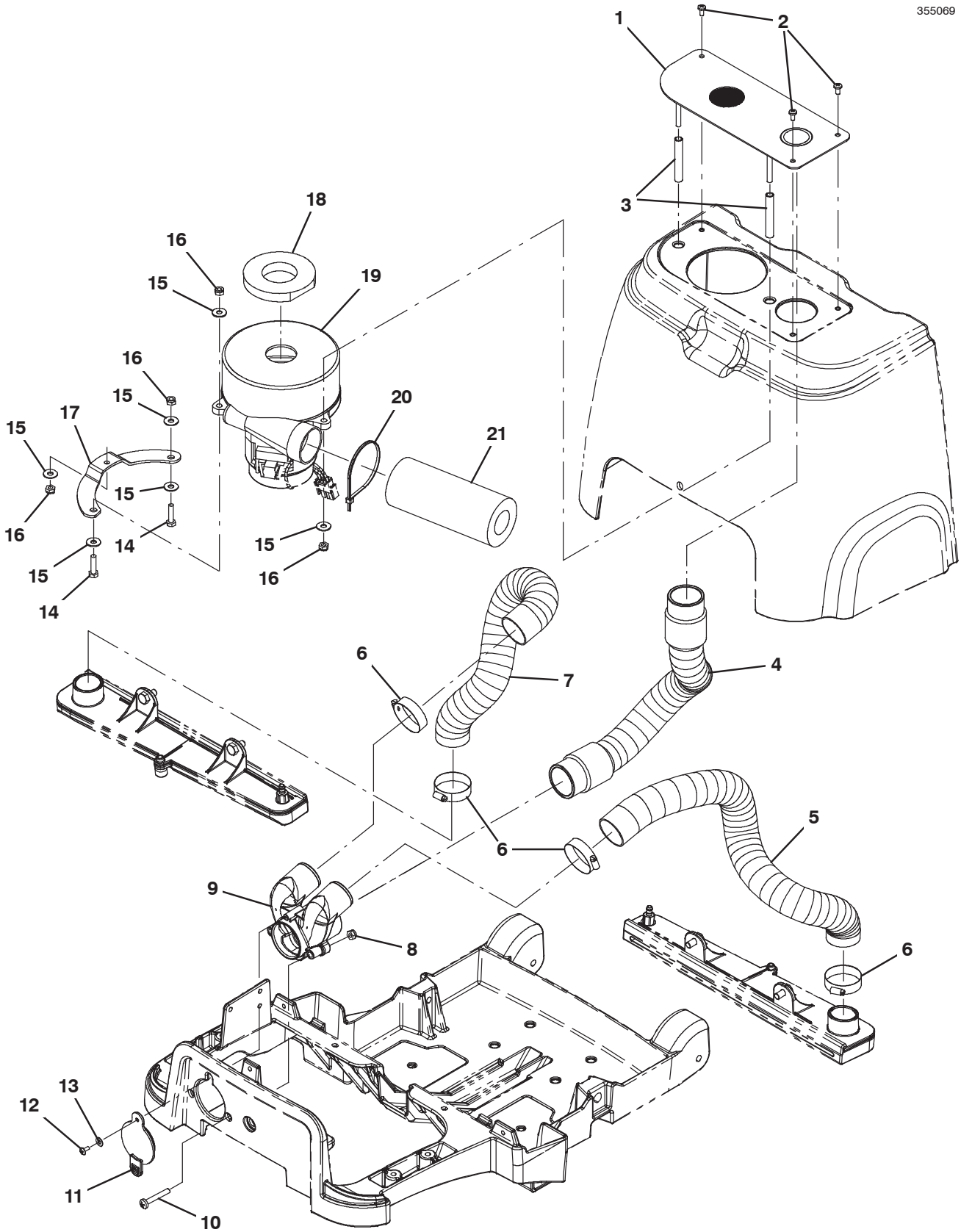
▽ ASSEMBLY

▲ INCLUDED IN ASSEMBLY

STANDARD PARTS

VACUUM FAN GROUP

355069

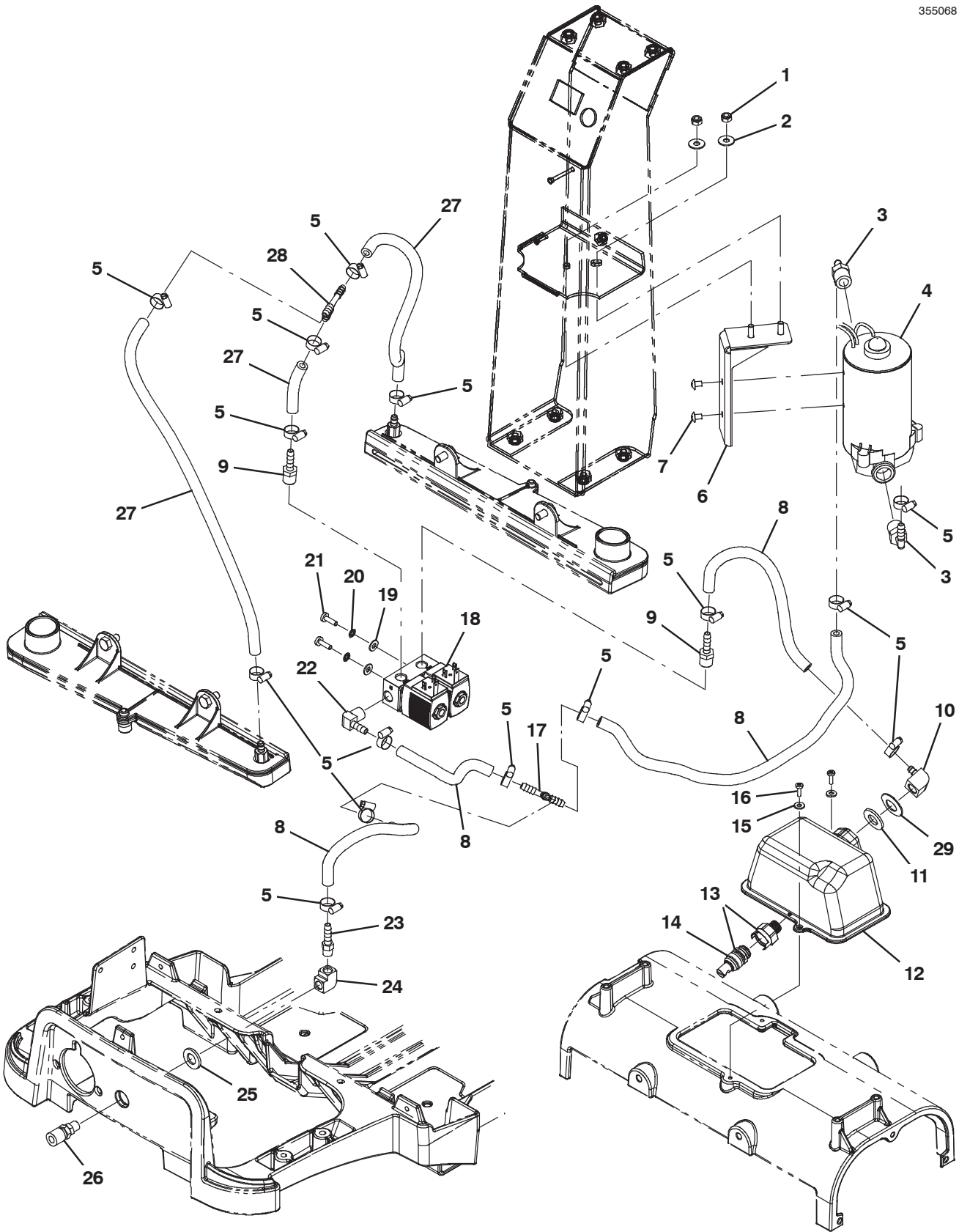


VACUUM FAN GROUP

Ref.	Part No.	Serial Number	Description	Qty.
1	1031960	(60000000-) Plate, Mtg, Vacuum	1
2	1026454	(60000000-) Screw, Pan, Phl, M5 X 0.80 X 10, Ss	3
3	610144	(60000000-) Spacer, Fan	2
4	1032555	(60000000-) Hose, Vacuum, 1.50id X 19.5l, 2cuff, Clr	1
5	1038373	(60000000-) Hose, Vacuum, Wir, 38.0id X 490.0l, Clr	1
6	79381	(60000000-) Clamp, Hose, Wormdrive, 1.25-2.00d, .50w	4
7	1038379	(60000000-) Hose, Vacuum, Wir, 38.0id X 335.0l, Clr	1
8	08708	(60000000-) Nut, Hex, Lock, M6 X 1.00, NI	2
9	1050092	(60000000-) Manifold, Soltn, Wand [Trex]	1
10	09258	(60000000-) Screw, Pan, Phl, M6 X 1.00 X 40, 4.8	2
11	607183	(60000000-) Seal, Cap, Vacuum Tool [607170]	1
12	140801	(60000000-) Screw, Trs, Phl, 08-32 X 0.38, Ss	1
13	140011	(60000000-) Washer, Flat, 0.21b 0.45d .03, Ss	1
14	09007	(60000000-) Screw, Hex, M6 X 1.00 X 25, Ss	2
15	01684	(60000000-) Washer, Flat, 0.27b 0.69d .05, Ss	6
16	08708	(60000000-) Nut, Hex, Lock, M6 X 1.00, NI	4
17	1034069	(60000000-) Plate, Vac Mounting	1
18	630010	(60000000-) Gasket, 12.7mm Th, 43mmid 73mmod	1
19	1037541	(60000000-) Fan, Vacuum, 5.7d, 120 Vac, 2 Stage	1
19	1038018	(60000000-) Fan, Vacuum, 5.7d, 240 Vac, 2 Stage	1
20	130773	(60000000-) Tie, Cable, Nyl, 11.0l, .14w, 3.0 Max. D	1
21	600009	(60000000-) Muffler, Exhaust, Vacfan	1

SOLUTION GROUP

355068



SOLUTION GROUP

Ref.	Part No.	Serial Number	Description	Qty.
1	08712	(60000000-) Nut, Hex, Lock, M6 X 1.00, NI, Ss	2
2	01684	(60000000-) Washer, Flat, 0.27b 0.69d .05, Ss	2
3	150417	(60000000-) Fitting, Plstc, E90, Bm04/Pm06	2
4	1031915	(60000000-) Pump, Soltn, Ele, 110vac	1
4	1032241	(60000000-) Pump, Ele, Soltn, 230v	1
5	43844	(60000000-) Clamp, Hose, Wormdrive, 0.25-0.62d, .31w	15
6	1034331	(60000000-) Bracket, Pump	1
7	140874	(60000000-) Screw, Hex, 10-32 X 0.38, PI [Inwa Ty1]	2
8	606364	(60000000-) Hose, Pvc, Brd, 0.25id 0.50od 60.0l, Gray (160204)	1
9	150515	(60000000-) Fitting, Brs, Str, Bm04/Pm04 [Taped]	2
10	1028773	(60000000-) Fitting, Brs, E90, Bm04/Pf04	1
11	32486	(60000000-) Washer, Flat, 0.50, Sae	1
12	1033445	(60000000-) Shroud, Splash, Nozzle [Trex]	1
∇	13	1061033) Nozzle Assy, Spray [1/4qjja+Qtka-1]]	1
▲	14	1034685) Nozzle, Tip, Spray [Qtka]	1
15	41579	(60000000-) Washer, Flat, 08, Ss	2
16	579237	(60000000-) Screw, Pan, Phl, M4 X 0.70 X 12, Ss	2
17	150713	(60000000-) Fitting, Plstc, Tee, Bm04/Bm04/Bm04	1
18	1037846	(60000000-) Manifold, Soltn, 120 Volt	1
18	1038022	(60000000-) Manifold, Soltn, 230 Volt	1
19	01683	(60000000-) Washer, Flat, 10, Ss	2
20	07514	(60000000-) Washer, Lock, Int, 10, Ss	2
21	140841	(60000000-) Screw, Pan, Phl, 10-32 X 0.62, Ss	2
22	150418	(60000000-) Fitting, Brs, E90, Bm04/Pm04	1
23	150525	(60000000-) Fitting, Brs, Str, Bm04/Pm02	1
24	150402	(60000000-) Fitting, Brs, E90, Pf02/Pf02	1
25	3148.816	(60000000-) Washer, Flat, 0.52b 0.88d .06, Stl, PI	1
26	150915	(60000000-) Fitting, Brs, Qdc, Pm02, Fem [Ser 5]	1
27	606161	(60000000-) Hose, Pvc, Brd, 0.25id 0.50od 36.0l, Gray (160204)	1
28	150713	(60000000-) Fitting, Plstc, Tee, Bm04/Bm04/Bm04	1
29	1035296	(60000000-) Washer, Flat, Belleville, .567	1

∇ ASSEMBLY

▲ INCLUDED IN ASSEMBLY

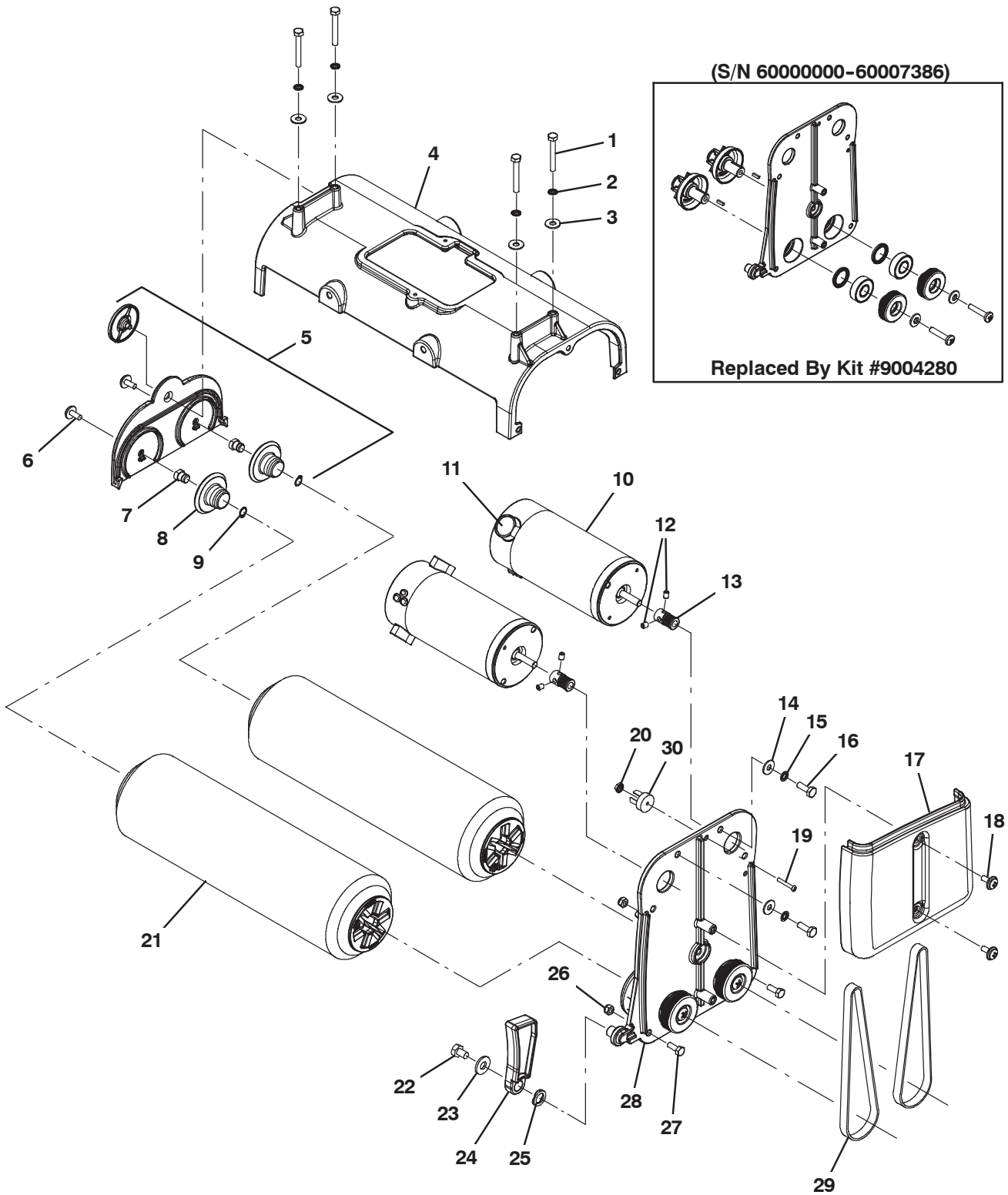
∇ ASSEMBLY

▲ INCLUDED IN ASSEMBLY

STANDARD PARTS

SCRUB HEAD GROUP, 120V

355066



SCRUB HEAD GROUP, 120V

Ref.	Part No.	Serial Number	Description	Qty.	
1	1045325	(60000000-) Screw, Hex, M6 X 1.00 X 45, Ss	8	
2	1027144	(60000000-) Washer, Lock, Int, M6, Ss	8	
3	01684	(60000000-) Washer, Flat, 0.27b 0.69d .05, Ss	8	
4	1054903	(60000000-) Housing, Brush, Dbl, 40cm	1	
▽	5	9007963	(60000000-) Door Kit, Brush, W/ Hdwr	1
▲	6	1019349	(60000000-) Screw, Trs, M6 X 1.00 X 16, Ss, Sems	2
▲	7	1030682	(60000000-) Shaft, Idler Plug	2
▲	8	1030680	(60000000-) Hub, Idler, Brush	2
▲	9	01543	(60000000-) Ring, Retaining, Ext, 0.39d, Basic	2
▽	10	1035298	(60000000-) Motor, .25hp, 115vdc, 2.1a, 1550 Rpm	2
▲	11	1045465	(60000000-) Brush, Carbon (Pk=2) Ref Part 1035298	4
	12	09162	(60000000-) Screw, Set, Soc, M6 X 1.00 X 8, NI	4
	13	1030623	(60000000-) Sheave, 07grv, 16.03pd [Ph]	2
	14	01684	(60000000-) Washer, Flat, 0.27b 0.69d .05, Ss	4
	15	07515	(60000000-) Washer, Lock, Int, 0.25, Ss	4
	16	34323	(60000000-) Screw, Hex, .25-20 X 0.75, NI	4
	17	1031169	(60000000-) Cover, Belt, Bl-Gr (Dual Roller)	1
	18	1019349	(60000000-) Screw, Trs, M6 X 1.00 X 16, Ss, Sems	2
	19	140946	(60000000-) Screw, Rnd, Sltd, 06-32 X 1.00, Nyl	1
	20	140534	(60000000-) Nut, Hex, #06-32, Nyl	1
	21	1028953	(60000000-) Roller Assy, Readyspace	2
	22	386868	(60000000-) Screw, Hex, M8 X 1.25 X 12, Ss	1
	23	07515	(60000000-) Washer, Lock, Int, 0.25, Ss	1
	24	1042443	(60000000-) Support, Kickstand, Blk, Nyl	1
	25	140060	(60000000-) Washer .505x.750x.045 Wave	1
	26	08712	(60000000-) Nut, Hex, Lock, M6 X 1.00, NI, Ss	3
	27	15678	(60000000-) Screw, Hex, M6 X 1.00 X 16, Ss	3
	28	9004280	(60000000-) Bracket, Motor Mount W/ Bearing/Seal Kit	1
	29	9004282	(60000000-) Belt Kit, W/ Installation Tool [Qty 2]	1
	30	130288	(60000000-) Rectifier, Bridge, Rnd, 12a 1000volt, Ce	1

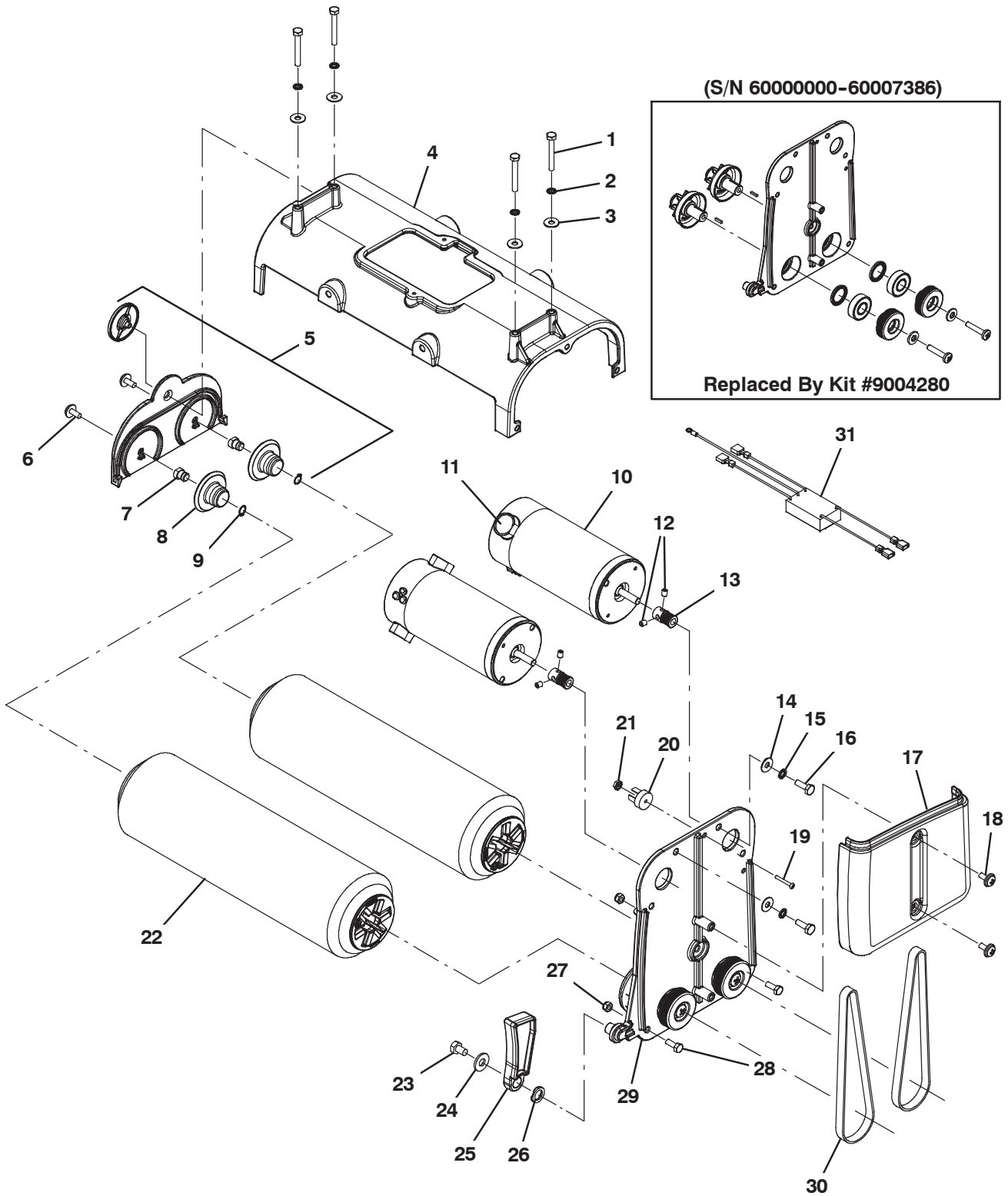
▽ ASSEMBLY

▲ INCLUDED IN ASSEMBLY

STANDARD PARTS

SCRUB HEAD GROUP, 230V

355067



SCRUB HEAD GROUP, 230V

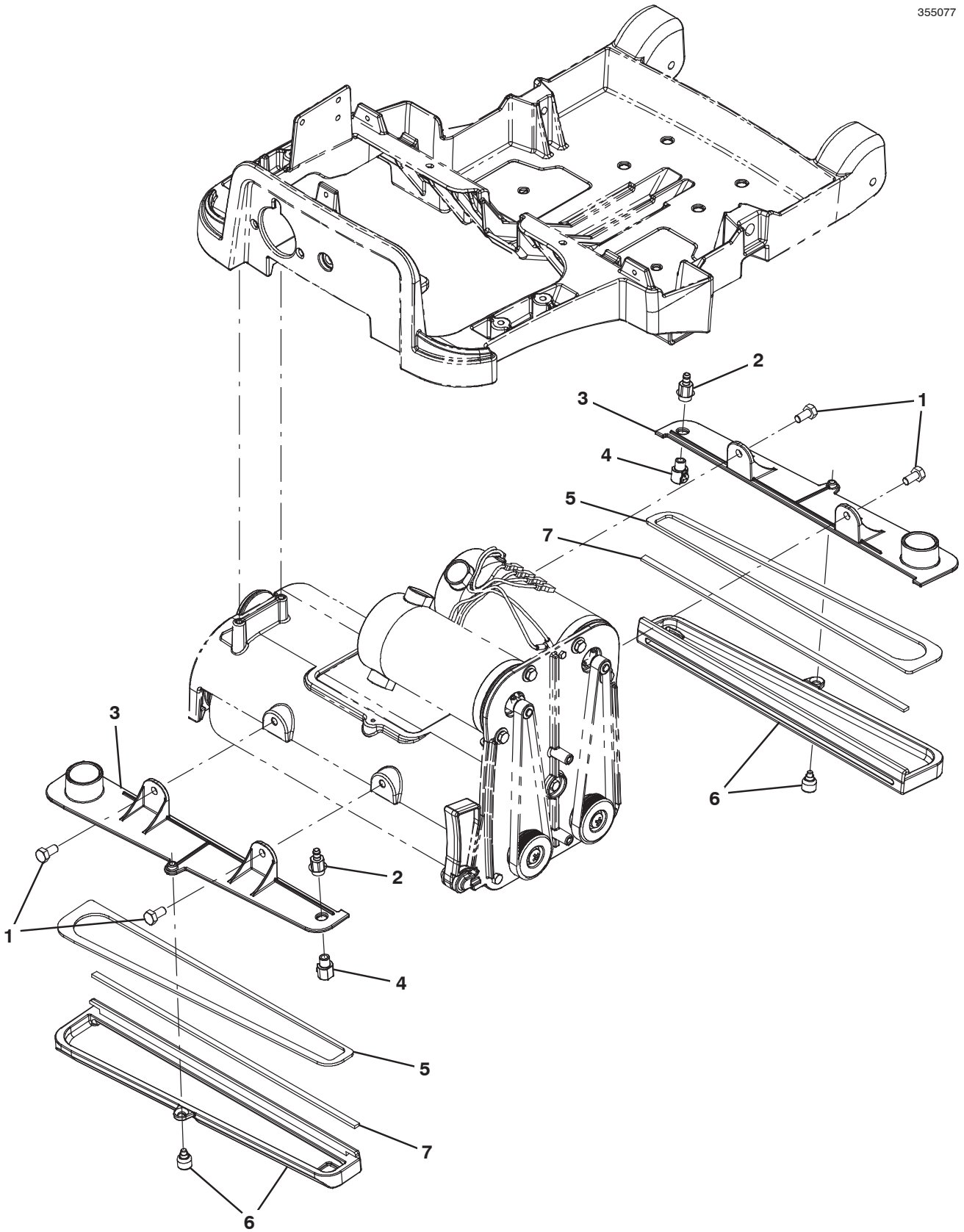
Ref.	Part No.	Serial Number	Description	Qty.	
1	1045325	(60000000-) Screw, Hex, M6 X 1.00 X 45, Ss	8	
2	1027144	(60000000-) Washer, Lock, Int, M6, Ss	8	
3	01684	(60000000-) Washer, Flat, 0.27b 0.69d .05, Ss	8	
4	1054903	(60000000-) Housing, Brush, Dbl, 40cm	1	
▽	5	9007963	(60000000-) Door Kit, Brush, W/ Hdwr	1
▲	6	1019349	(60000000-) Screw, Trs, M6 X 1.00 X 16, Ss, Sems	2
▲	7	1030682	(60000000-) Shaft, Idler Plug	2
▲	8	1030680	(60000000-) Hub, Idler, Brush	2
▲	9	01543	(60000000-) Ring, Retaining, Ext, 0.39d, Basic	2
▽	10	1036629	(60000000-) Motor, .25hp, 230vdc, 1.2a, 1600 Rpm	2
▲	11	1045463	(60000000-) Brush, Carbon (Pk=2) Ref Part 1036629	4
	12	09162	(60000000-) Screw, Set, Soc, M6 X 1.00 X 8, NI	4
	13	1030623	(60000000-) Sheave, 07grv, 16.03pd [Ph]	2
	14	01684	(60000000-) Washer, Flat, 0.27b 0.69d .05, Ss	4
	15	07515	(60000000-) Washer, Lock, Int, 0.25, Ss	4
	16	34323	(60000000-) Screw, Hex, .25-20 X 0.75, NI	4
	17	1031169	(60000000-) Cover, Belt, Bl-Gr (Dual Roller)	1
	18	1019349	(60000000-) Screw, Trs, M6 X 1.00 X 16, Ss, Sems	2
	19	140946	(60000000-) Screw, Rnd, Sltd, 06-32 X 1.00, Nyl	1
	20	130288	(60000000-) Rectifier, Bridge, Rnd, 12a 1000volt, Ce	1
	21	140534	(60000000-) Nut, Hex, #06-32, Nyl	1
	22	1028953	(60000000-) Roller Assy, Readyspace	2
	23	386868	(60000000-) Screw, Hex, M8 X 1.25 X 12, Ss	1
	24	07515	(60000000-) Washer, Lock, Int, 0.25, Ss	1
	25	1042443	(60000000-) Support, Kickstand, Blk, Nyl	1
	26	140060	(60000000-) Washer .505x.750x.045 Wave	1
	27	08712	(60000000-) Nut, Hex, Lock, M6 X 1.00, NI, Ss	3
	28	15678	(60000000-) Screw, Hex, M6 X 1.00 X 16, Ss	3
	29	9004280	(60000000-) Bracket, Motor Mount W/ Bearing/Seal Kit	1
	30	9004282	(60000000-) Belt Kit, W/ Installation Tool [Qty 2]	1
	31	1036953	(60000000-) Filter, Brush, 270 Vdc, 3a	1

▽ ASSEMBLY

▲ INCLUDED IN ASSEMBLY

ROLLER TOOL GROUP

355077

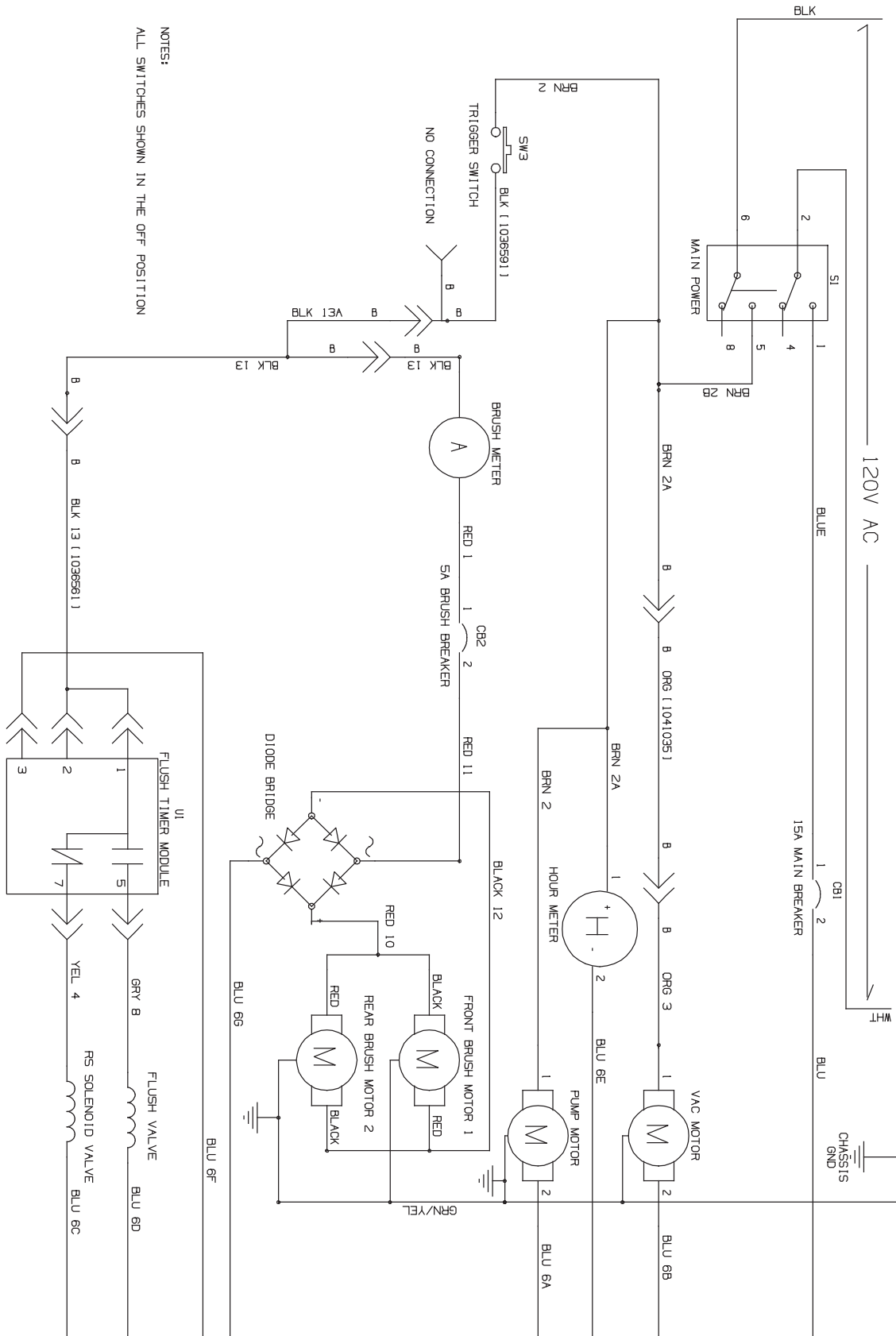


ROLLER TOOL GROUP

Ref.	Part No.	Serial Number	Description	Qty.
1	49826	(60000000-) Screw, Hex, M8 X 1.25 X 16, NI, Ss	4
2	1040254	(60000000-) Fitting, Brs, Str, Bm04/Pf02	2
3	1030390	(60000000-) Cover, Tool, Str Roll Vacuum, 380mm	2
4	1037380	(60000000-) Nozzle, Flush, Readyspace	2
5	1034819	(60000000-) Gasket, Tool ,Cover	2
6	9004284	(60000000-) Cover, Tool W/ Hardware Kit	2
7	9006593	(60000000-) R3 Foam Gasket Service Kit	1

ELECTRICAL DIAGRAM, 120V

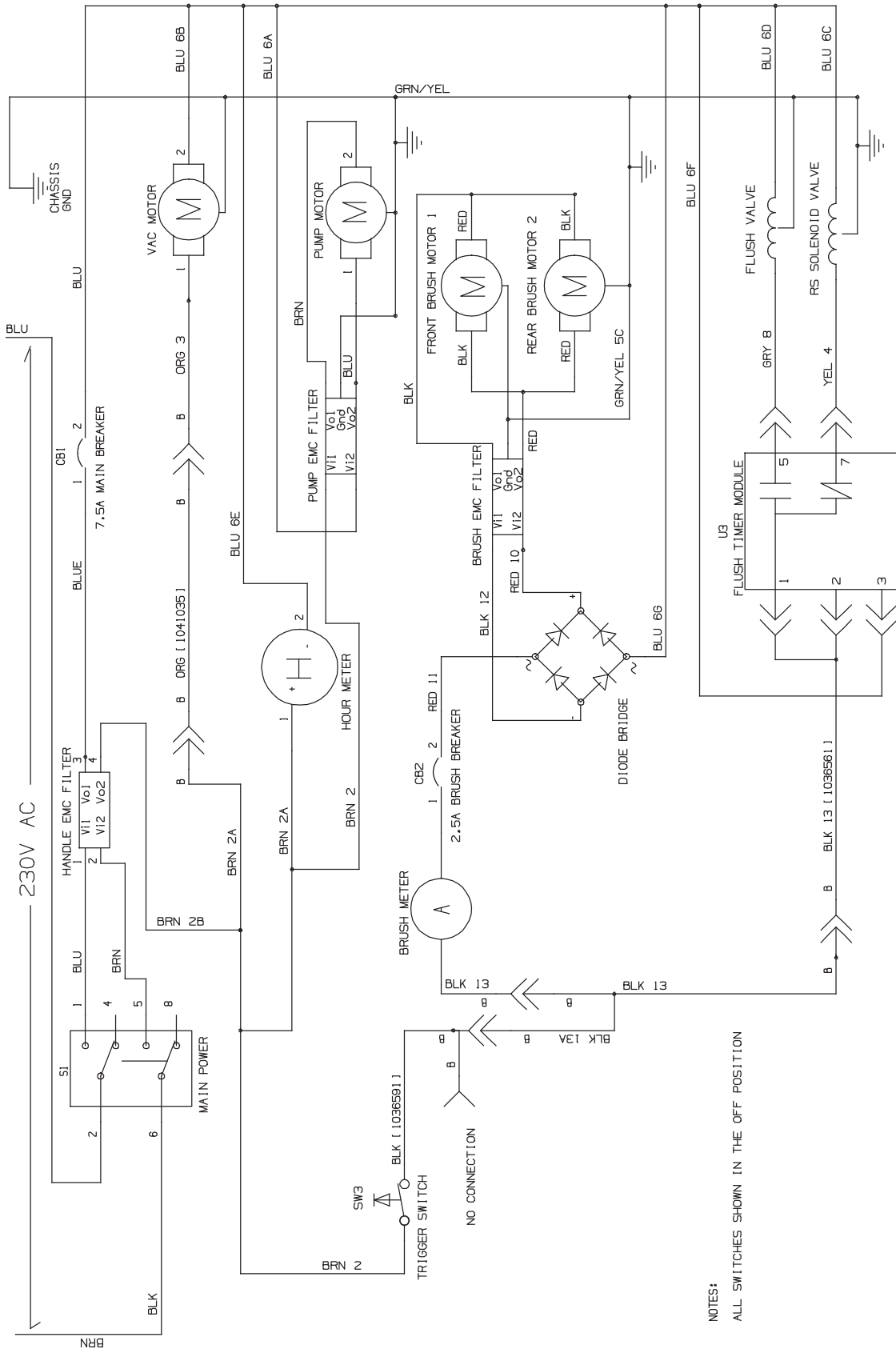
1046175



NOTES:
ALL SWITCHES SHOWN IN THE OFF POSITION

ELECTRICAL DIAGRAM, 230V

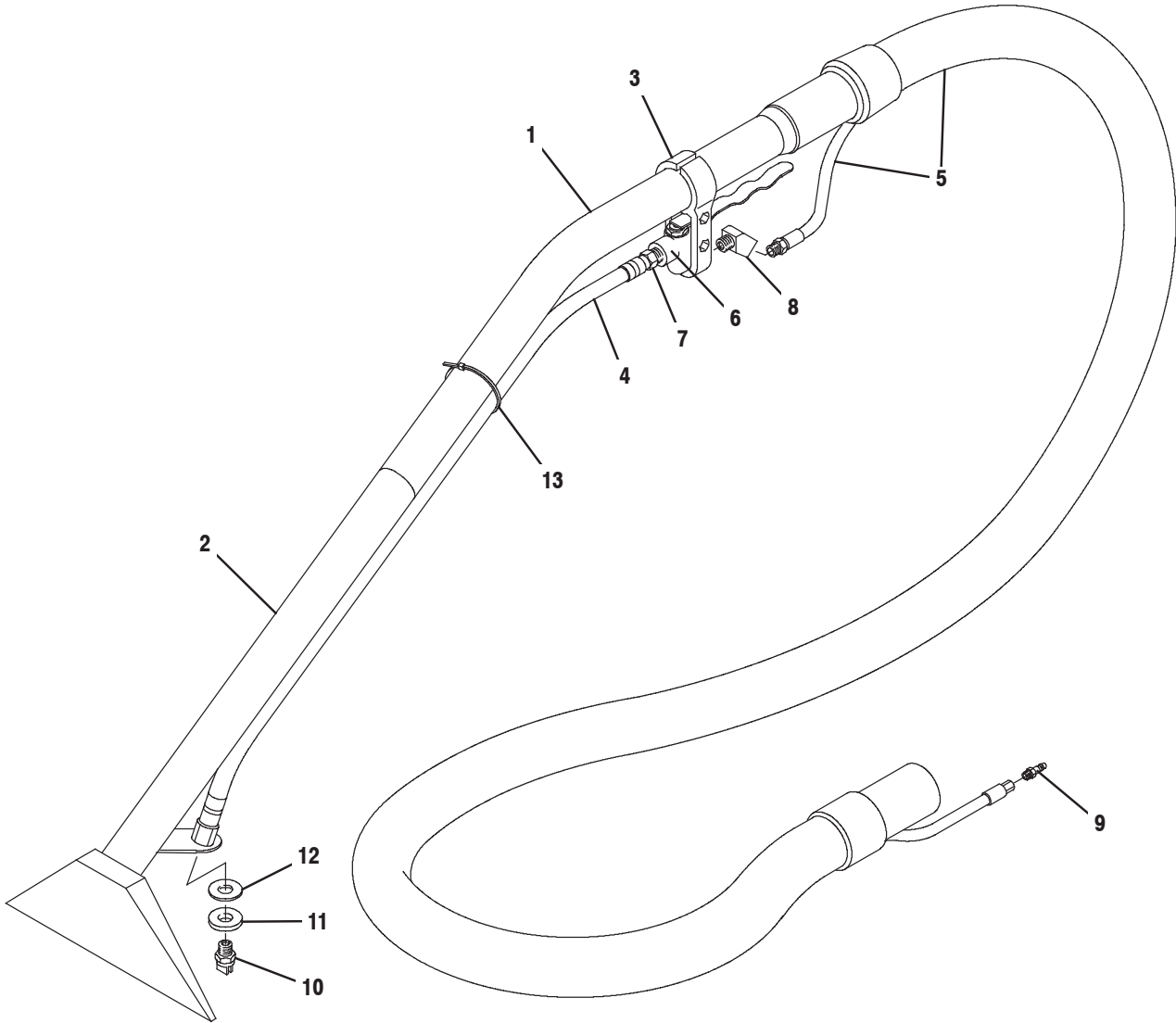
1046177



NOTES:
ALL SWITCHES SHOWN IN THE OFF POSITION

FLOOR TOOL GROUP, 8 in / 203 mm (NEW STYLE)

355116



FLOOR TOOL GROUP, 8 in / 203 mm (NEW STYLE)

Ref.	Part No.	Serial Number	Description	Qty.	
▽	1058735	(60000000-) Tool Assy, Floor, W/ Ss Head	1	
▲	1	1058997	(60000000-) Wand, Tube, Upper, Fr/ 1058735, Replmt	1
▲	2	1058995	(60000000-) Wand Assy, Lower, Fr/ 1058735, Replmt	1
▲	3	605988	(60000000-) Vr, Bracket, Hanger, Valve	1
▲	4	1058998	(60000000-) Hose, Brd, 39.0l, Fr/ 1058735, Replmt	1
▲	5	1059131	(60000000-) Hose Assy, 10ft, F/1058735, Replmt	1
▲	6	578064000	(60000000-) Valve, Water, Flow Cntrl, W/Lever [Wand]	1
▲	7	150516	(60000000-) Fitting, Brs, Str, Bm06/Pm04	1
▲	8	150403	(60000000-) Fitting, Brs, E45, Pf04/Pm04 [Taped]	1
▲	9	150921	(60000000-) Fitting, Ss, Qdc, Pm02 [Ser 5]	1
▲	10	1059002	(60000000-) Fitting, Jet, Vee, .25npt, Brs	1
▲	11	1058999	(60000000-) Washer, Flat, Abs, F/ 1058735, Replmt	1
▲	12	140058	(60000000-) Washer, Flat, 0.54b 0.88d .06, Ss [Wand]	1
▲	13	130041	(60000000-) Tie, Cable, Nyl, 11.5l .19w	1
	N/S	220040	(60000000-) Bag, Hose, Accssry, 24x36[W/Draw String] (Optional)	1

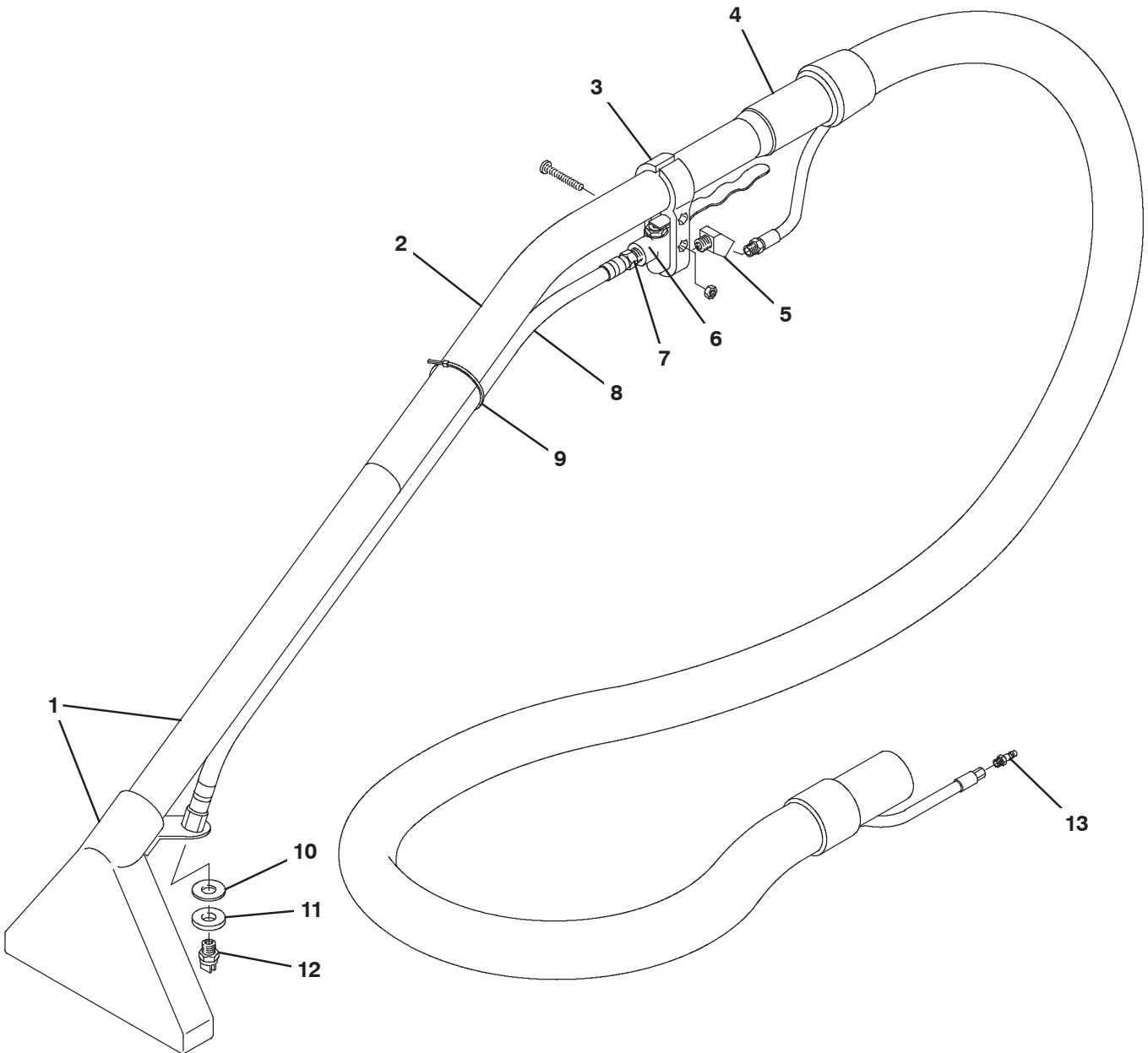
▽ ASSEMBLY

▲ INCLUDED IN ASSEMBLY

OPTIONS

FLOOR TOOL GROUP, 8 in / 203 mm (OLD STYLE)

355078



FLOOR TOOL GROUP, 8 in / 203 mm (OLD STYLE)

Ref.	Part No.	Serial Number	Description	Qty.
▽	605976	(60000000-) Tool, Pickup, Floor, 8.0w, Complt (Rpld By P/N 1058735)	1
▲	1 605977	(60000000-) Head Assy, W/ Lower Tube, 8.0inch (Rpld By P/N 1058995)	1
▲	2 200467	(60000000-) Wand [Upper Section Only] (Rpld By P/N 1058997)	1
▲	3 605988	(60000000-) Vr, Bracket, Hanger, Valve	1
▲	4 603546	(60000000-) Hose Assy, 1.25 X 10ft [Hide-A-Hose] (Rpld By P/N 1059131)	1
▲	5 150403	(60000000-) Fitting, Brs, E45, Pf04/Pm04 [Taped]	1
▲	6 578064000	(60000000-) Valve, Cntrl, Water	1
▲	7 150516	(60000000-) Fitting, Brs, Str, Bm06/Pm05	1
▲	8 605991	(60000000-) Hose Assy, 0.25d [Whip] (Rpld By P/N 1058998)	1
▲	9 130041	(60000000-) Tie, Cable, Nyl, 11.5l .19w	1
▲	10 140058	(60000000-) Washer, Flat, 0.54b 0.88d .06, Ss [Wand]	1
▲	11 605990	(60000000-) Washer, Flat, .53 X 1.1 X .19, Abs	1
▲	12 605989	(60000000-) Plstc Vee Jet 8002	1
▲	13 150921	(60000000-) Fitting, Ss, Qdc, Pm02 [Ser 5]	1
	N/S 220040	(60000000-) Bag, Hose, Accssry, 24x36[W/Draw String] (Optional)	1

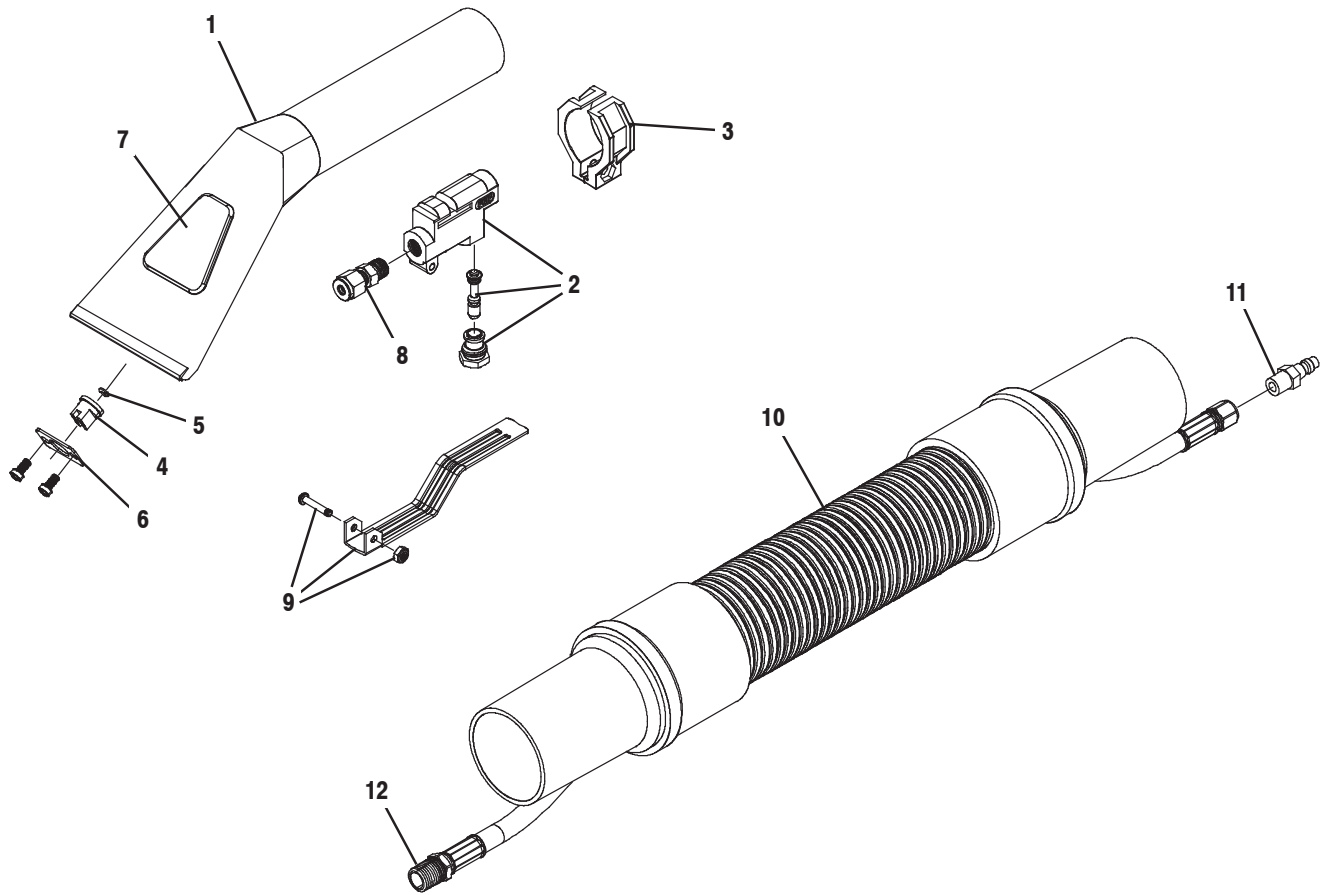
▽ ASSEMBLY

▲ INCLUDED IN ASSEMBLY

OPTIONS

HAND TOOL GROUP, 4 in / 101 mm (NEW STYLE)

355117



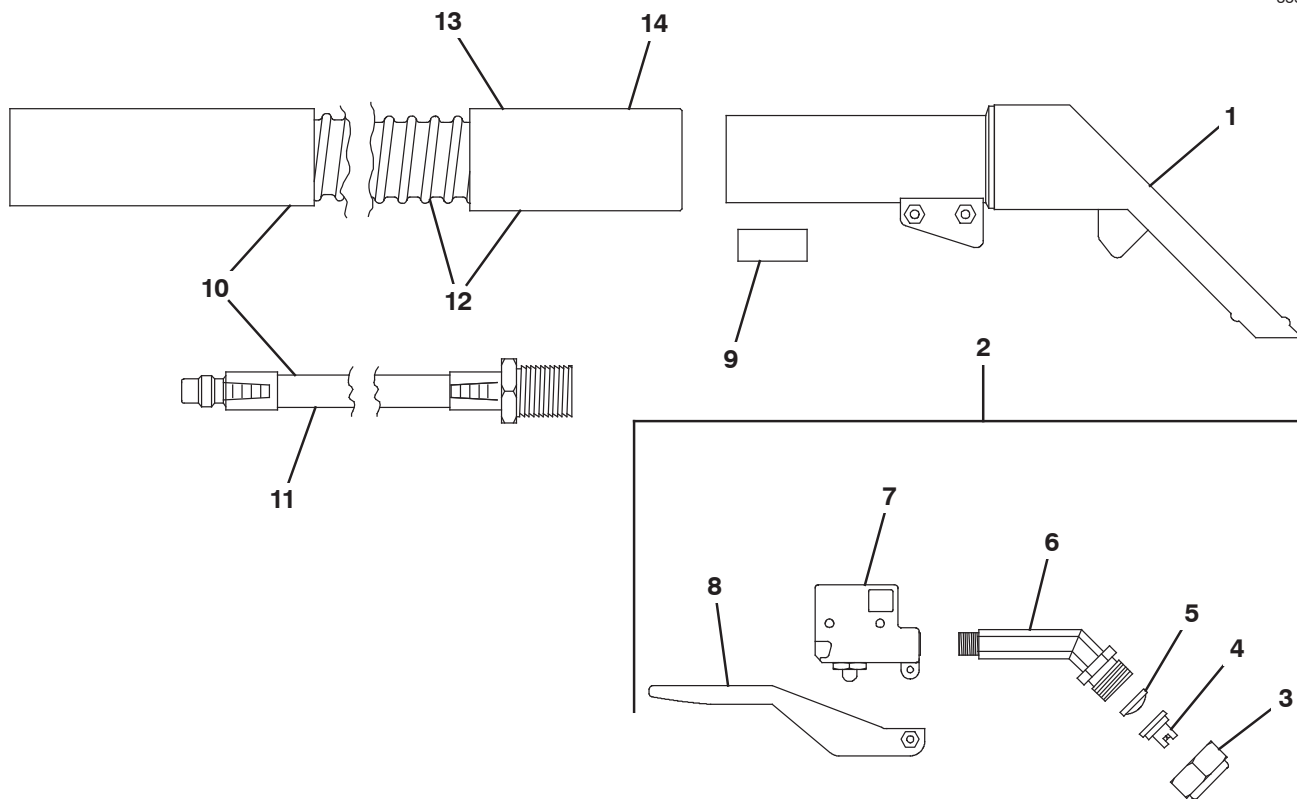
Ref.	Part No.	Serial Number	Description	Qty.
	1058747	(60000000-) Tool Assy, Hand, W/ Ss Head & Plstc Wndw	1
▽	1 1059230	(60000000-) Tool Assy, W/Trigger F/1058747, Replmt	1
▲	1 1059003	(60000000-) Tool, W/ Wndw, Ss, F/1058747, Replmt	1
▲	2 611807	(60000000-) Valve, Tool, Hand [Pmf]	1
▲	3 611812	(60000000-) Valve, Hanger [Pmf]	1
▲	4 1059006	(60000000-) Fitting, Jet, Tee, Plstc, Fr/ 1058747	1
▲	5 1059005	(60000000-) Seal, Org, Fr/ 1058747, Replmt	1
▲	6 611815	(60000000-) Retainer, Plate [Pmf]	1
▲	7 1059004	(60000000-) Tool, Wndw, Plstc, Fr/ 1058747	1
▲	8 611817	(60000000-) Ferrule, Pm02/.18tube	1
▲	9 611818	(60000000-) Trigger, Handle Pmf	1
▽	10 1059130	(60000000-) Hose Assy, 10ft, F/1058747, Replmt	1
▲	11 150921	(60000000-) Fitting, Ss, Qdc, Pm02 [Ser 5]	1
▲	12 150521	(60000000-) Fitting, Brs, Str, Bm02/Pf02	1
	N/S 220040	(60000000-) Bag, Hose, Accssry, 24x36[W/Draw String] (Optional)	1

▽ ASSEMBLY

▲ INCLUDED IN ASSEMBLY

HAND TOOL GROUP, 4 in / 101 mm (OLD STYLE)

355079



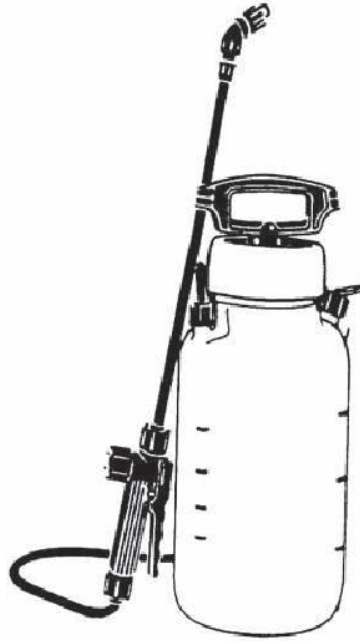
Ref.	Part No.	Serial Number	Description	Qty.	
	613396	(60000000-) Tool Assy, Hand, 4.0w, 1.25d Hose[Ser 5] (Rpld By P/N 1058747)	1	
∇	1	608901	(60000000-) Tool, Hand, W/ Trigger Assy (Rpld By P/N 1058747)	1
▲	1	608891	(60000000-) Tool, Hand, W/O Trigger Assy (Rpld By P/N 1058747)	1
▲∇	2	608899	(60000000-) Trigger, Hand Tool, Assy (Rpld By P/N 1058747)	1
▲▲	3	608897	(60000000-) Vr, Nut, Plstc, Spray Tip	1
▲▲	4	608896	(60000000-) Fitting, Spray, Tip 11003 Blue	1
▲▲	5	608900	(60000000-) Screen, Tool, Hand	1
▲▲	6	608895	(60000000-) Fitting, Nozzle, Spray	1
▲▲	7	608894	(60000000-) Fitting, Valve Body, Hand Tool	1
▲▲	8	608898	(60000000-) Trigger, Hand Tool	1
	9	608892	(60000000-) Seal, Hose, Soltn	1
∇	10	613395	(60000000-) Hose, Vacuum, 1.25id X 104.0l, 2cuff (Rpld By P/N 1058747)	1
▲	11	608893	(60000000-) Hose, Soltn, Hand Tool (Rpld By P/N 1058747)	1
▲∇	12	613394	(60000000-) Hose, Vacuum, 1.25id X 104.0l, 1cuff,Blk (Rpld By P/N 1059130)	1
▲▲	13	613393	(60000000-) Hose, Vacuum, 1.25id X 088.0l [I-Helix] (Rpld By P/N 1059130)	1
▲▲	14	609440	(60000000-) Cuff, Hose, 1.5slip X 1.25thd Blk (Rpld By P/N 1059130)	1
	N/S	220040	(60000000-) Bag, Hose, Accssry, 24x36[W/Draw String] (Optional)	1

∇ ASSEMBLY

▲ INCLUDED IN ASSEMBLY

OPTIONS

PUMP-UP CARPET SPRAYER



Ref.	Part No.	Serial Number	Description	Qty.
	605848	(60000000-) Sprayer 2gal Pumpup Hd	1
