

Clemas & Co Ltd

Industrial Cleaning Equipment
Sales - Hire - Service

S2 DRY VACUUM CLEANER PARTS MANUAL



Clemas & Co. Unit 5 Ashchurch Business Centre, Alexandra Way, Tewkesbury,
Gloucestershire, GL20 8NB.

Tel: 01684 850777

Fax: 01684 850707

Email: info@clemas.co.uk

Web: www.clemas.co.uk

Table of Contents

S2 H

Car 01	3
Car 02	5
Car 03	7
Container unit	9
Filter group	11
Absolute filter	13
Suction unit 01	15
Suction unit 02	17
Suction unit 03	19
Suction unit 04	21
Suction unit 05	23
Suction unit 06	25
Suction unit 07	27
Suction unit 08	29
Suction unit 09	31
Suction unit 10	33

Car 01

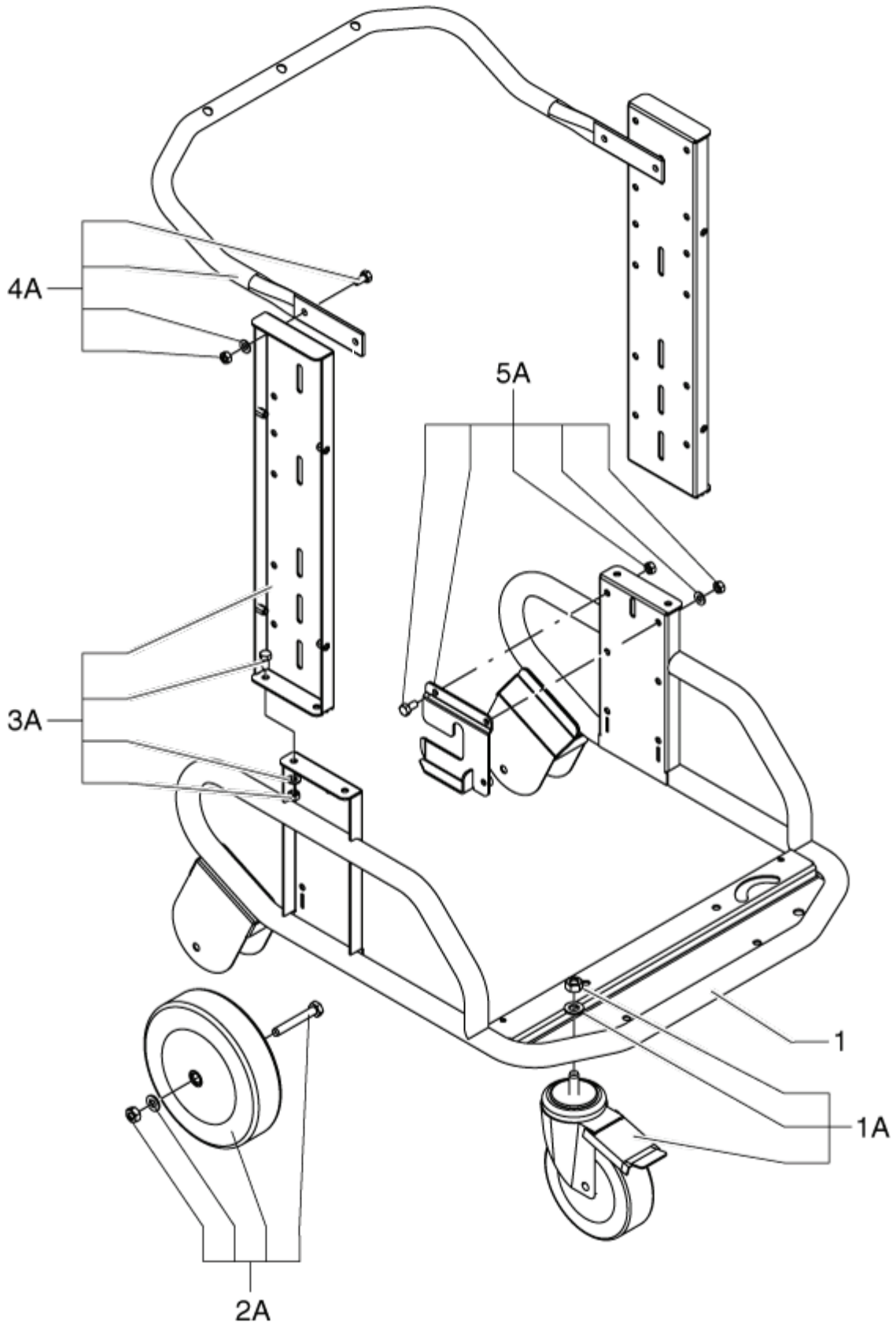
S2 H

13-09-2012

Part List ID

S2H01

3



Car 01

S2 H

13-09-2012

Part List ID S2H01

4

Pos	Part no.	Qty	Description
1	4083600611	1	TROLLEY FOR MODEL S2-S3 R7016
1A	40000874	1	KIT REVOLV. CASTOR D150
2A	40000873	1	WHEEL D200 KIT
3A	40000871	1	UPRIGHT KIT
4A	40000891	1	HANDLE KIT
5A	40000872	1	BIN RELEASE KIT

Car 02

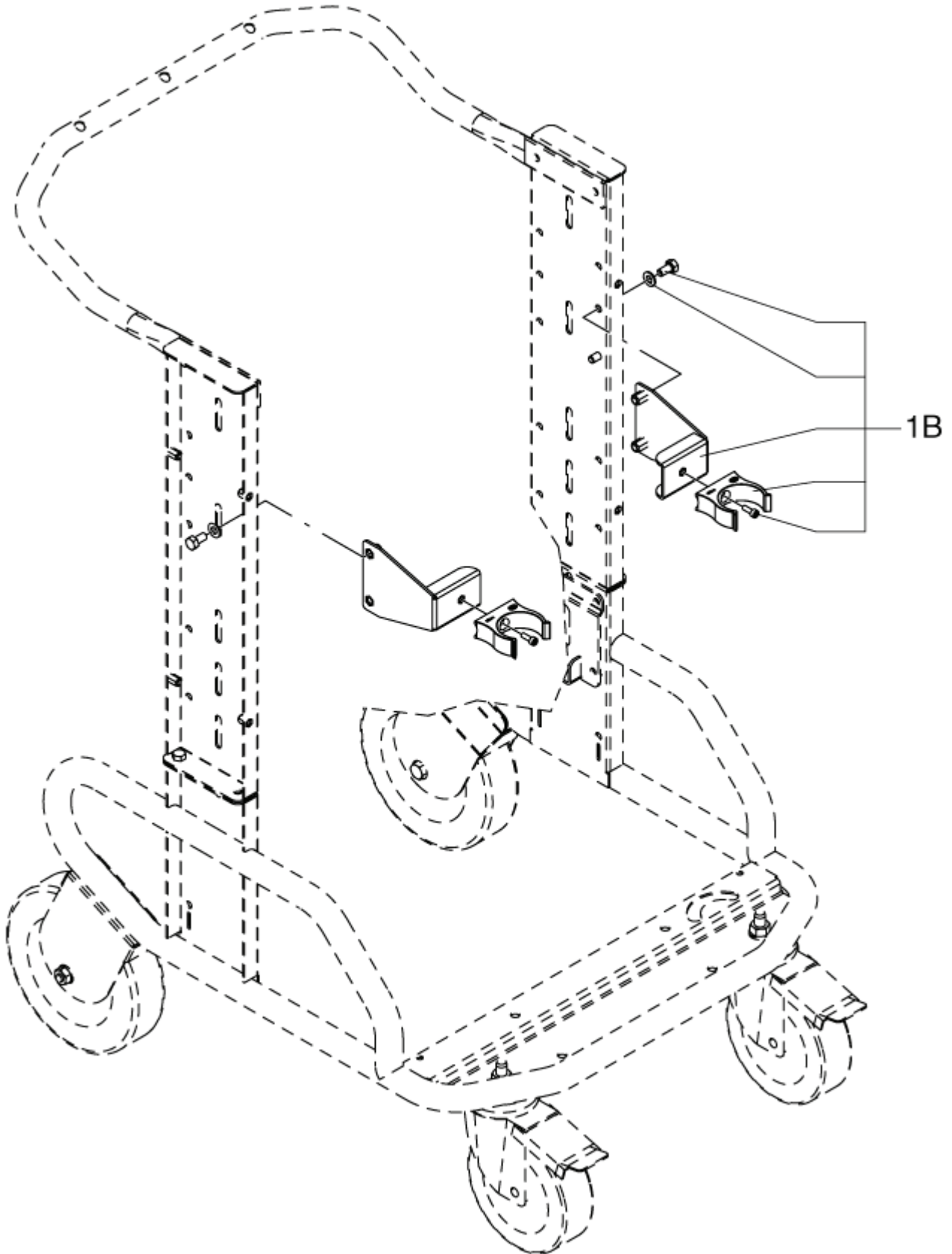
S2 H

13-09-2012

Part List ID

S2H03

5



Car 02

S2 H

13-09-2012

Part List ID SZH03

6

Pos	Part no.	Qty	Description
1B	40000856	1	HOSE HOLDER KIT

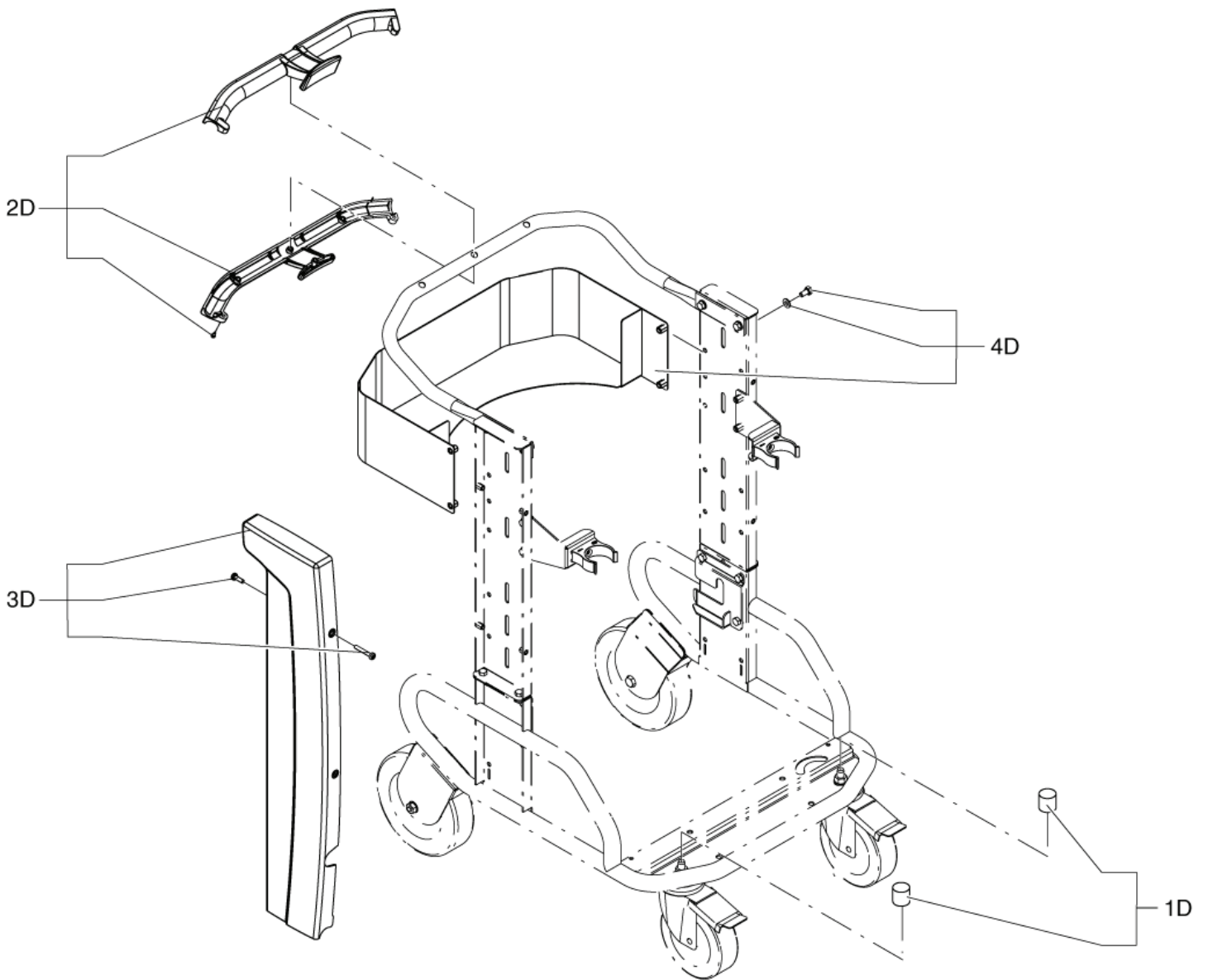
Car 03

S2 H

13-09-2012

Part List ID S2H05

7



Car 03

S2 H

13-09-2012

Part List ID SZH05

8

Pos	Part no.	Qty	Description
1D	40000870	1	PROTECTION KIT
2D	40000855	1	HANDLE KIT
3D	40000864	1	UPRIGHT PROTECTION KIT
4D	40000893	1	COMPARTMENT KIT

Container unit

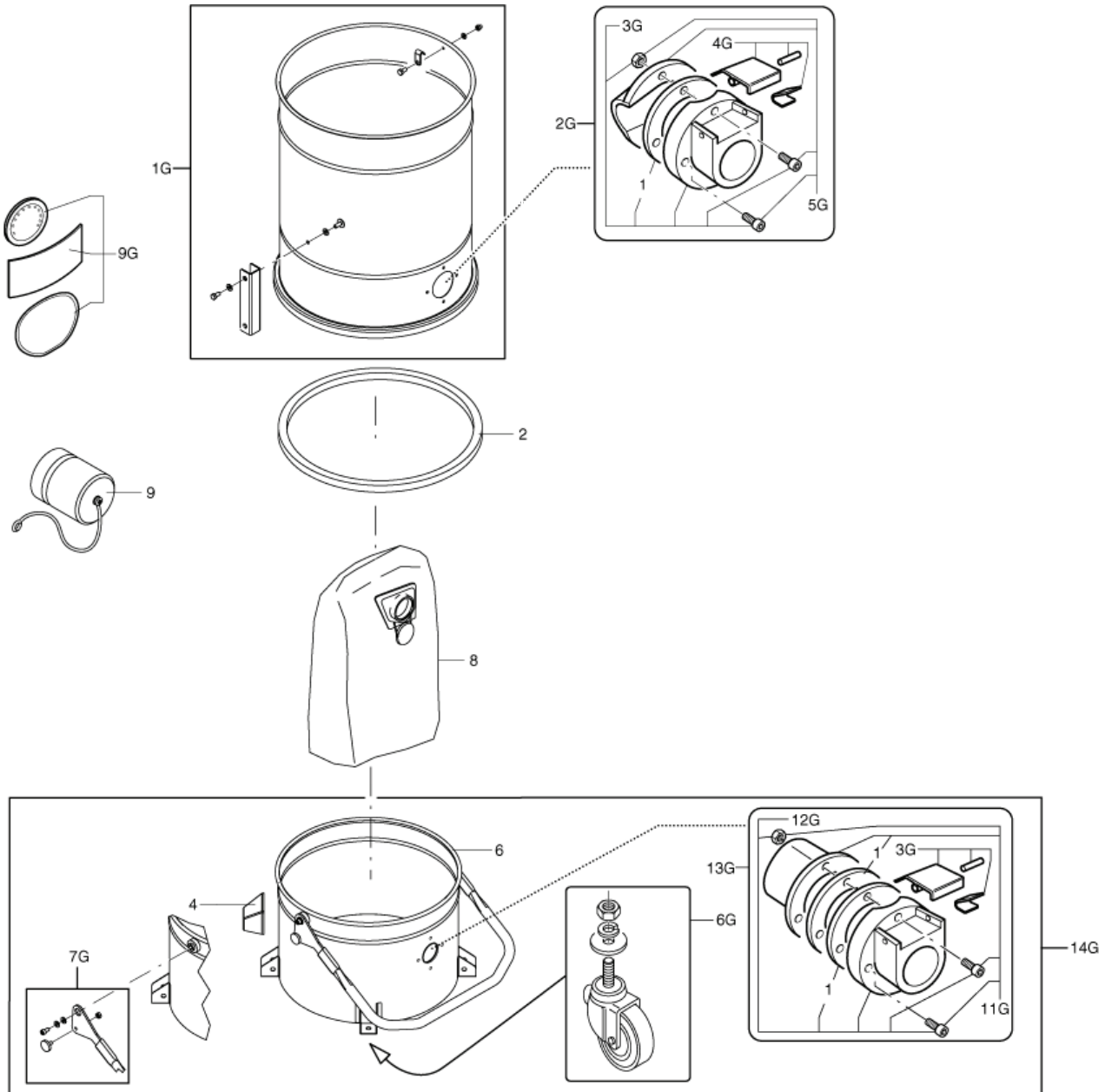
S2 H

13-09-2012

Part List ID

S2H07

9



Container unit

S2 H

13-09-2012

Part List ID S2H07

10

Pos	Part no.	Qty	Description
1	Z8 17006	3	INLET SEAL D70
2	40000762	1	SEAL
4	Z8 17021	4	BUMPER WHEEL HOLDER
6	4083000532	1	BIN D460 L40 FOR BAG ATTACK M.S2
6	4083000534	1	BIN D460 L40 FOR BAG ATTACK M.S2 SS
8	4084001014	1	SAFE BAG D.460 STD
9	Z7 21070	2	PLUG X INLET D70 FE COMPLETE
9	Z7 21072	2	PLUG X INLET D70 INOX COMPLETE
1G	40000869	1	FILTER CHAMBER KIT
1G	40000895	1	STAIN LESS FILTER CHAMBER KIT
2G	40000418	1	KIT COMPLETE INLET D70 INOX MOD. A17
2G	40000868	1	D70 INLET FULL KIT
3G	40000344	1	KIT INLET INOX D70
3G	40000867	1	D70 INLET KIT
4G	40000345	1	KIT PUSHBUTTON FOR INLET D70
5G	40000395	1	KIT DEFLECTOR D70
5G	40000416	1	KIT DEFLECTOR D70 INOX MOD.A17
6G	40000419	1	KIT CASTORS FOR CONTAINER
6G	40000484	1	KIT CASTORS FOR CONTAINER INOX
7G	40000924	1	HANDLE KIT L40
7G	40000925	1	STAIN LESS HANDLE KIT L40
9G	40000896	1	STICKER KIT
11G	40000852	1	DEFLECTOR FOR PAPER BAG KIT
12G	40000867	1	D70 INLET KIT
13G	40000894	1	D70 INLET FULL KIT
14G	4056000494	1	KIT DISPOSAL SYSTEM D460 L40 MOD. S2
14G	4056000495	1	KIT DISPOSAL SYSTEM D460 L40 I MOD.S2

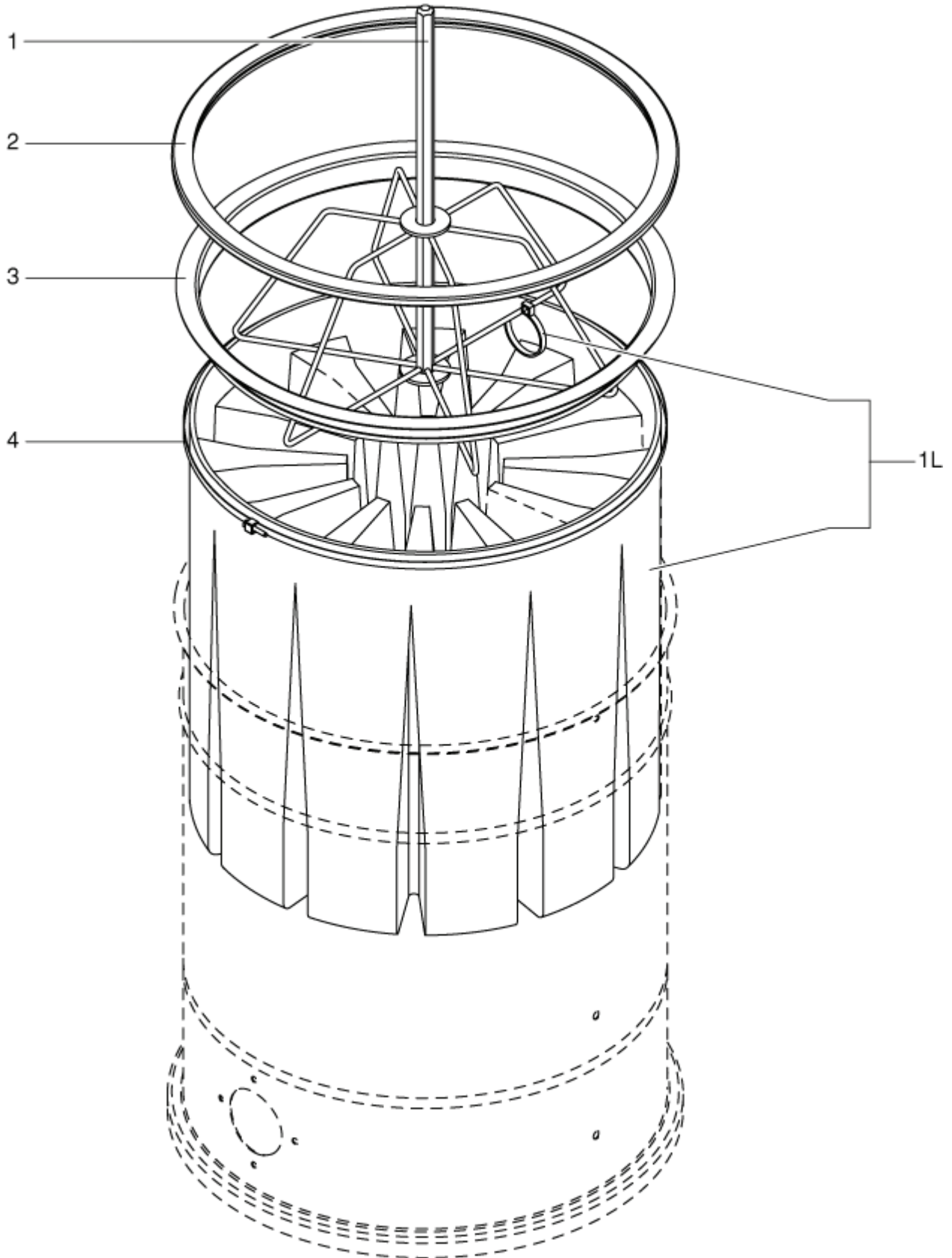
Filter group

S2 H

13-09-2012

Part List ID S2H09

11



Filter group

S2 H

13-09-2012

Part List ID SZH09

12

Pos	Part no.	Qty	Description
1	4083300358	1	FILTER SHAKER CAGE FE D460 M. S2-S3
2	Z8 17026	1	FILTER SEAL D460 BLACK
2	Z8 17126	1	FILTER SEAL D460 SILIC.
3	Z8 15003	1	FILTER HOLDER RING D460 FE
3	Z8 15010	1	FILTER HOLDER RING D460 INOX
4	Z8 18079	1	FILTER BLOCK TIE D460
1L	40000492	1	STAR FILTER KIT D460 M CLASS

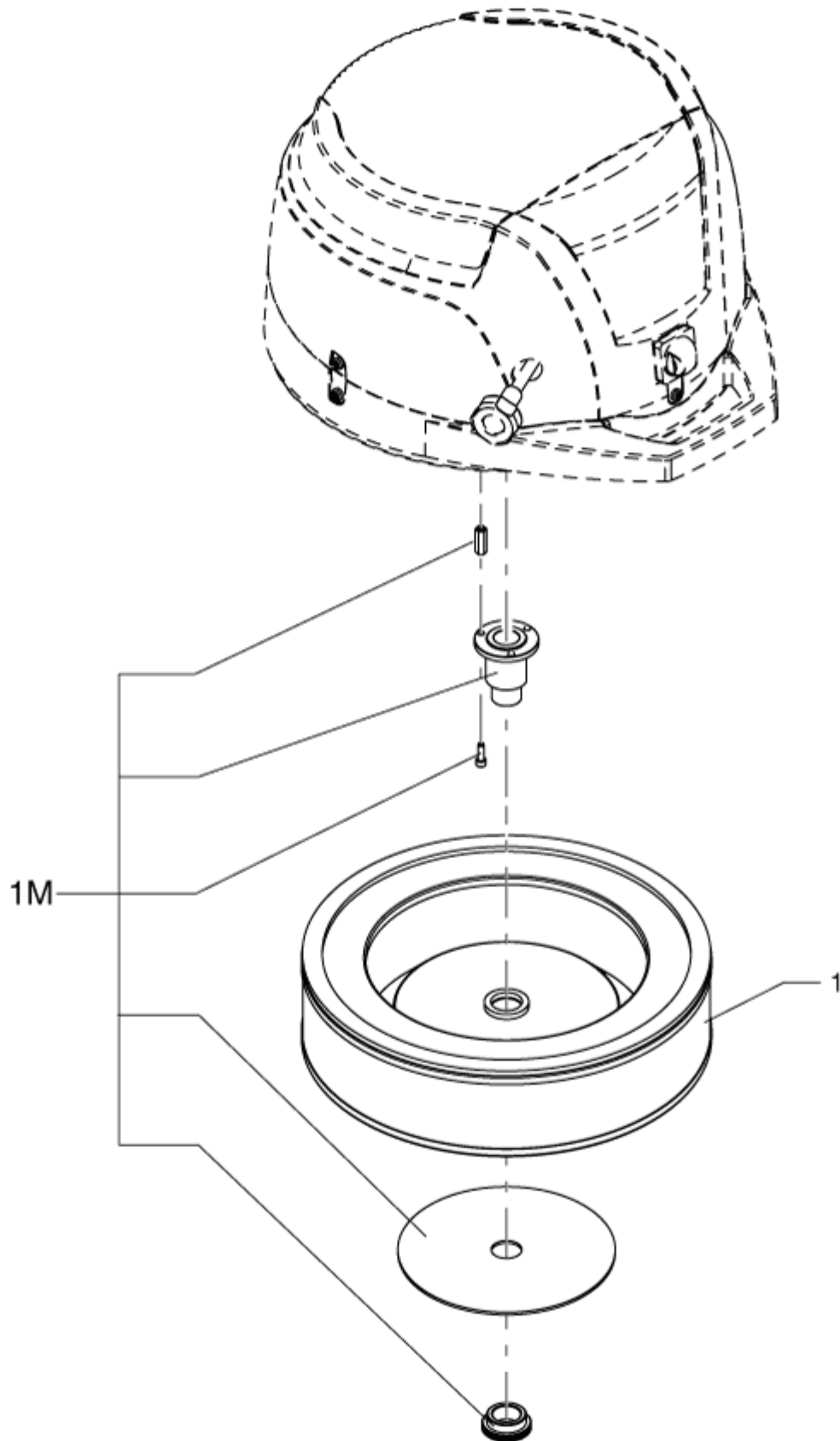
Absolute filter

S2 H

13-09-2012

Part List ID S2H11

13



Absolute filter

S2 H

13-09-2012

Part List ID S2H11

14

Pos	Part no.	Qty	Description
1	4081700936	1	ABSOLUTE FILTER415X100REINFORC ED
1M	40000897	1	KIT ABSOLUTE FILTER SUPPORT

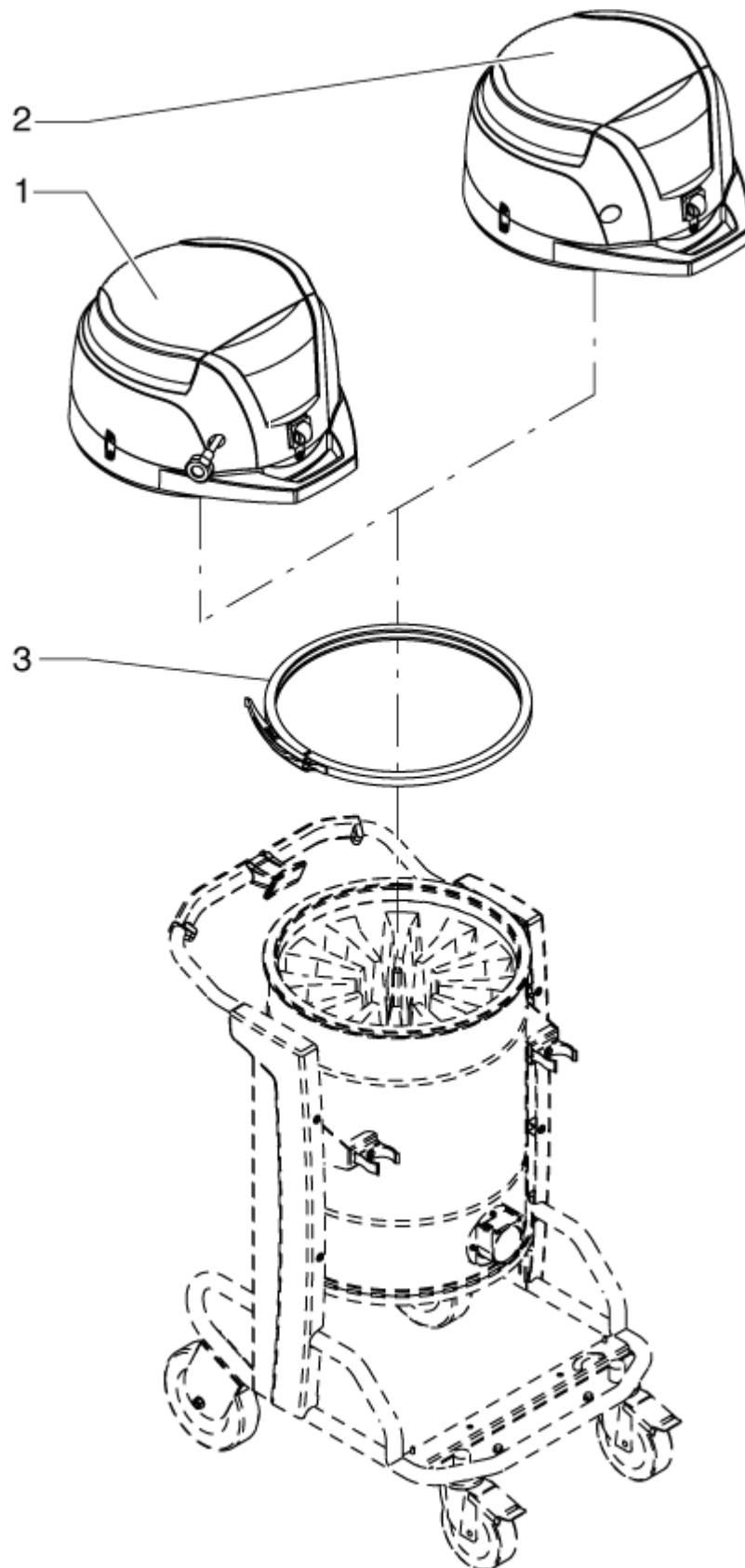
Suction unit 01

S2 H

13-09-2012

Part List ID S2H13

15



Suction unit 01

S2 H

13-09-2012

Part List ID S2H13

16

Pos	Part no.	Qty	Description
1	4089100073	1	KIT COMPLETE HEAD S2 230V UK
1	4089100074	1	KIT COMPLETE HEAD S2 110V UK
1	4089100086	1	KIT COMPLETE HEAD M.S2 230V EU
2	4089100143	1	KIT COMPLETE HEAD SHAKER EL.M.S2 230V EU
2	4089100144	1	KIT COMPLETE HEAD SHAKER EL.M.S2 230V UK
2	4089100145	1	KIT COMPLETE HEAD SHAKER EL.M.S2 110V UK
3	Z8 36191	1	BAND LOCK D.460
3	Z8 36355	1	BAND LOCK D460 INOX 3308 COMP. W.BRACKET

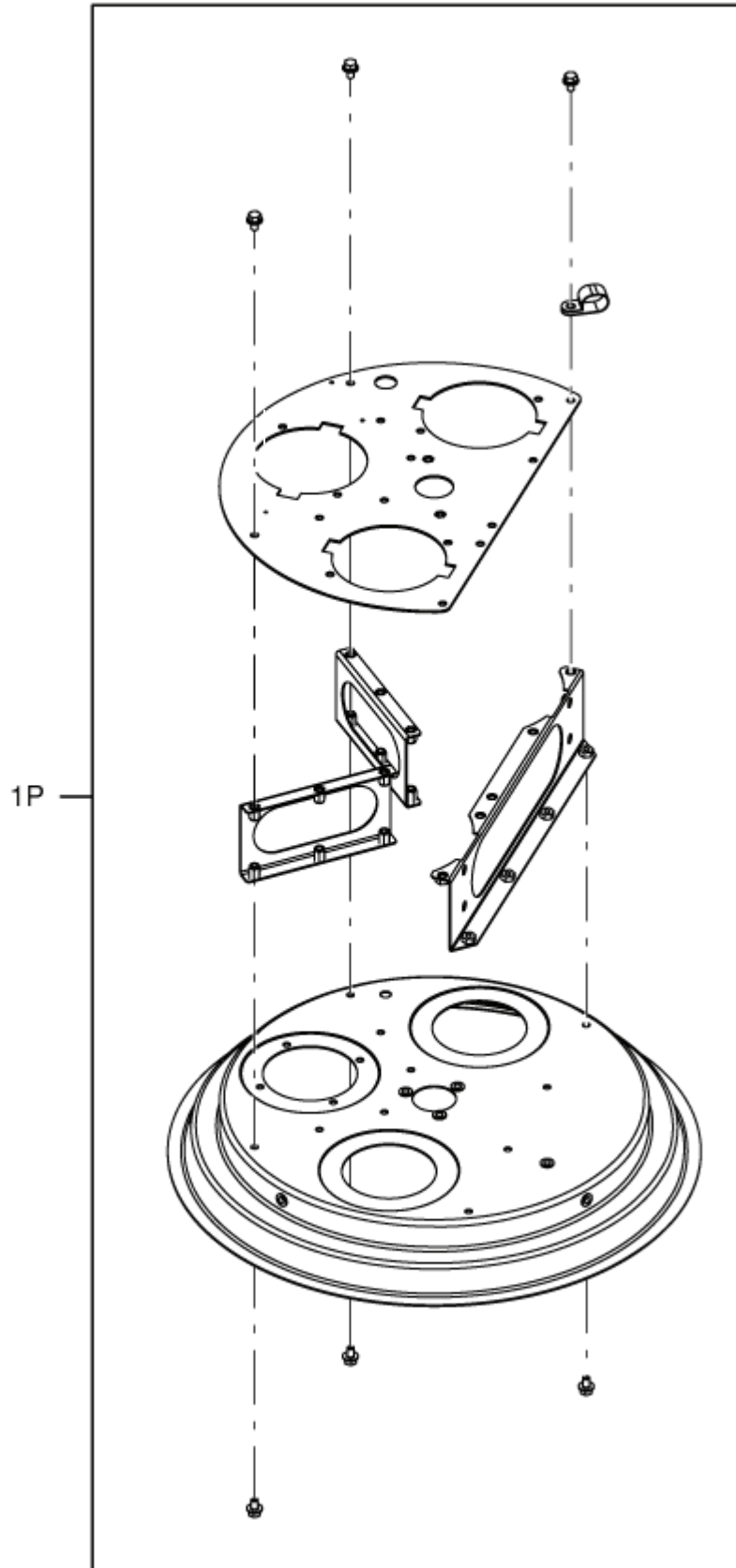
Suction unit 02

S2 H

13-09-2012

Part List ID S2H15

17



Suction unit 02

S2 H

13-09-2012

Part List ID S2H15

18

Pos	Part no.	Qty	Description
1P	40000899	1	MOTOR SUPPORT KIT

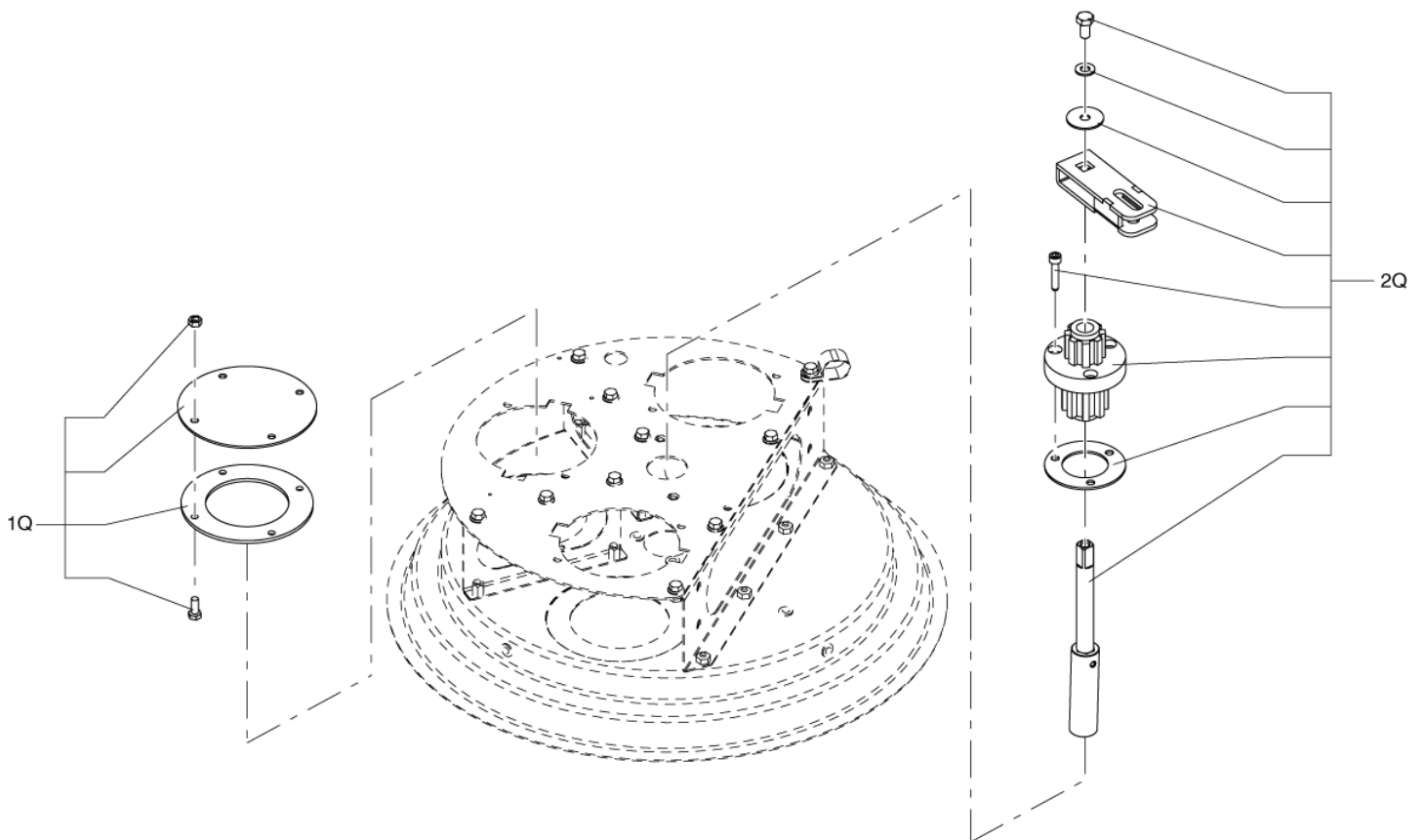
Suction unit 03

S2 H

13-09-2012

Part List ID S2H17

19



Suction unit 03

S2 H

13-09-2012

Part List ID S2H17

20

Pos	Part no.	Qty	Description
1Q	40000901	1	S2 MOTOR CLOSING KIT
2Q	40000900	1	FILTERSHAKER DEVICE KIT

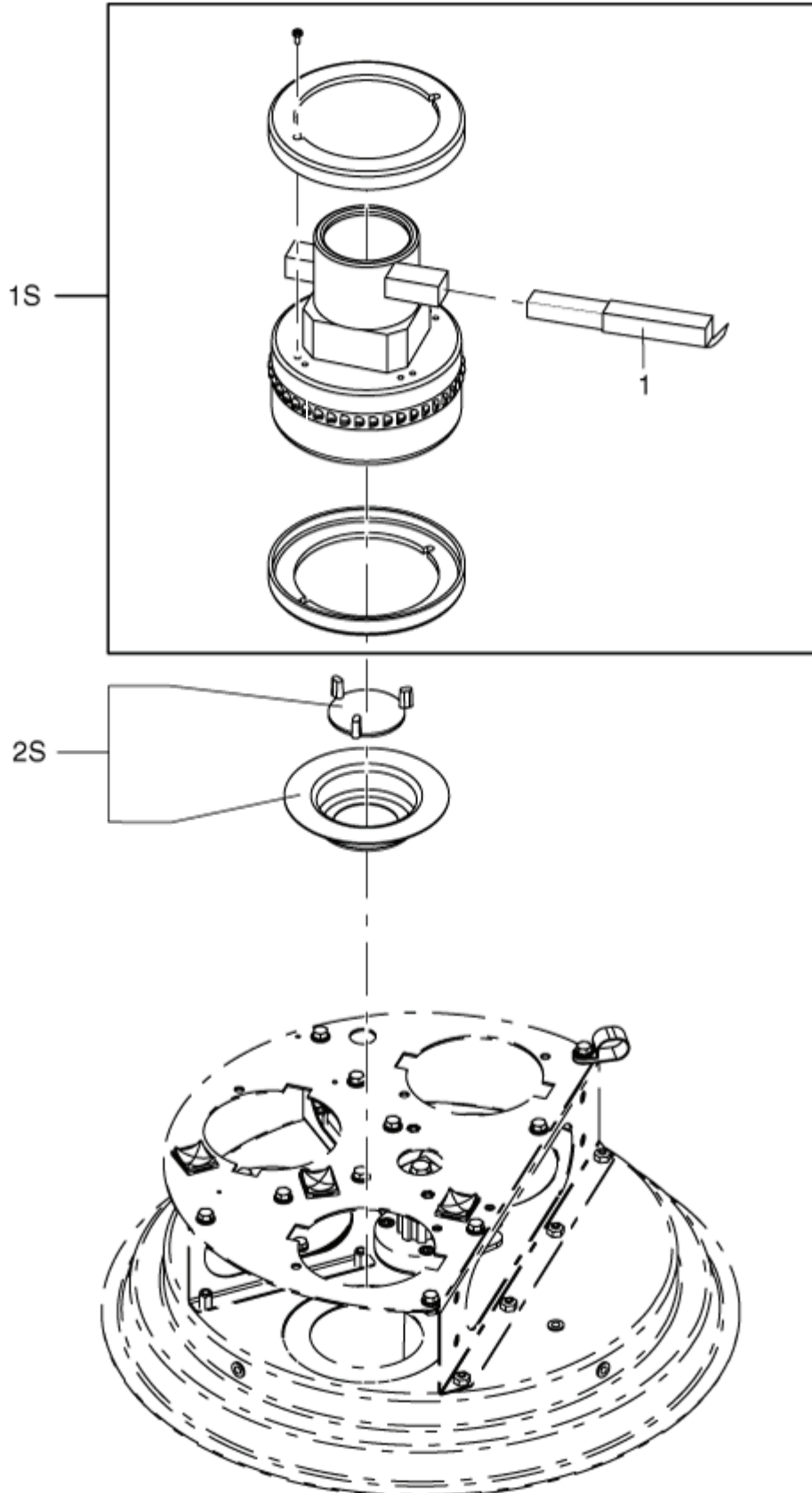
Suction unit 04

S2 H

13-09-2012

Part List ID S2H19

21



Suction unit 04

S2 H

13-09-2012

Part List ID S2H19

22

Pos	Part no.	Qty	Description
1	40000885	1	MOTOR BRUSH KIT V230
1	40000886	1	MOTOR BRUSH KIT V120
1S	40000937	1	MOTOR KIT V230
1S	40000938	1	MOTOR KIT V110 UK
2S	40000902	1	BUTTERFLY VALVE KIT

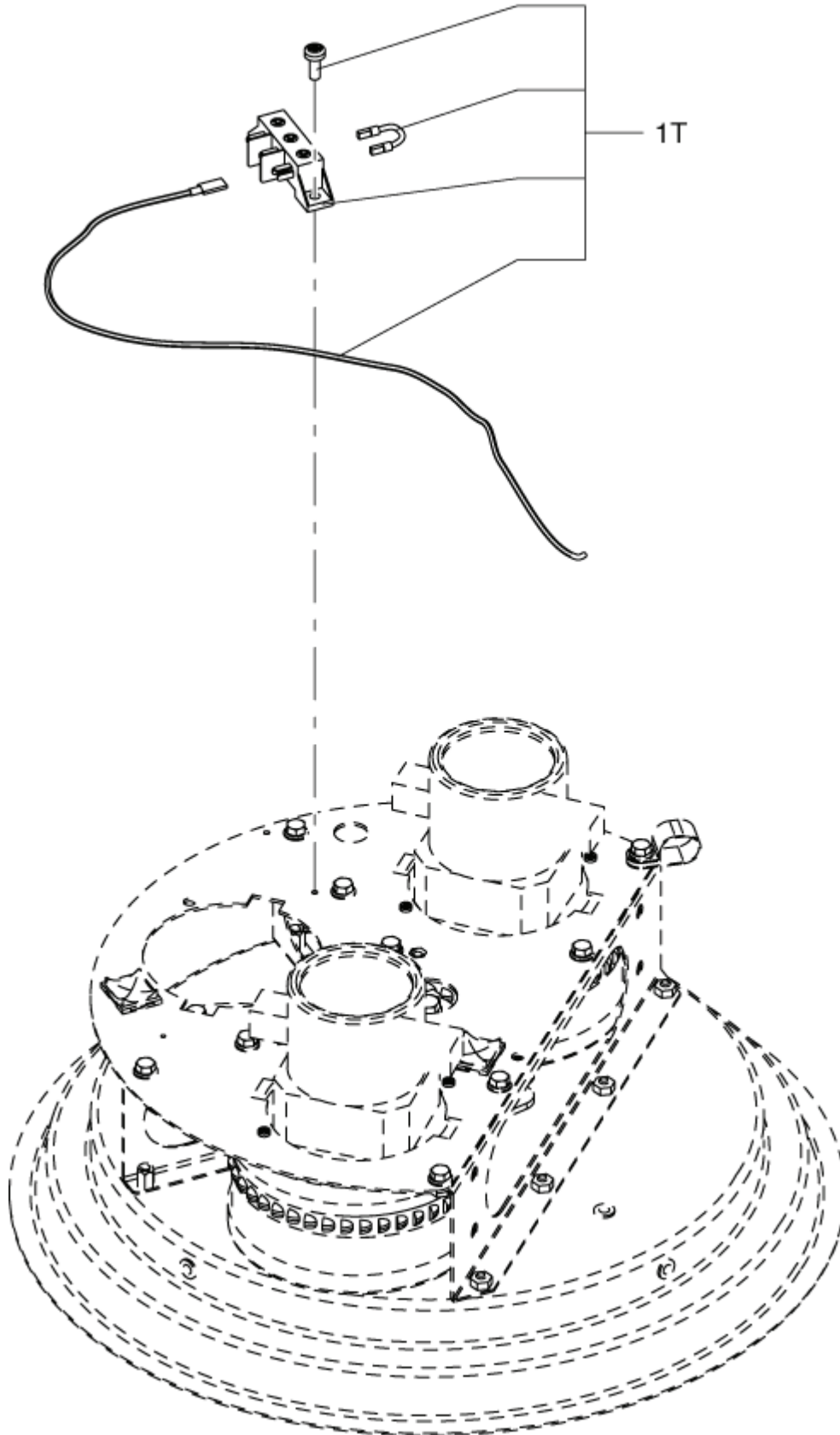
Suction unit 05

S2 H

13-09-2012

Part List ID S2H21

23



Suction unit 05

S2 H

13-09-2012

Part List ID S2H21

24

Pos	Part no.	Qty	Description
1T	40000905	1	CABLE KIT FOR MOTORHEAD

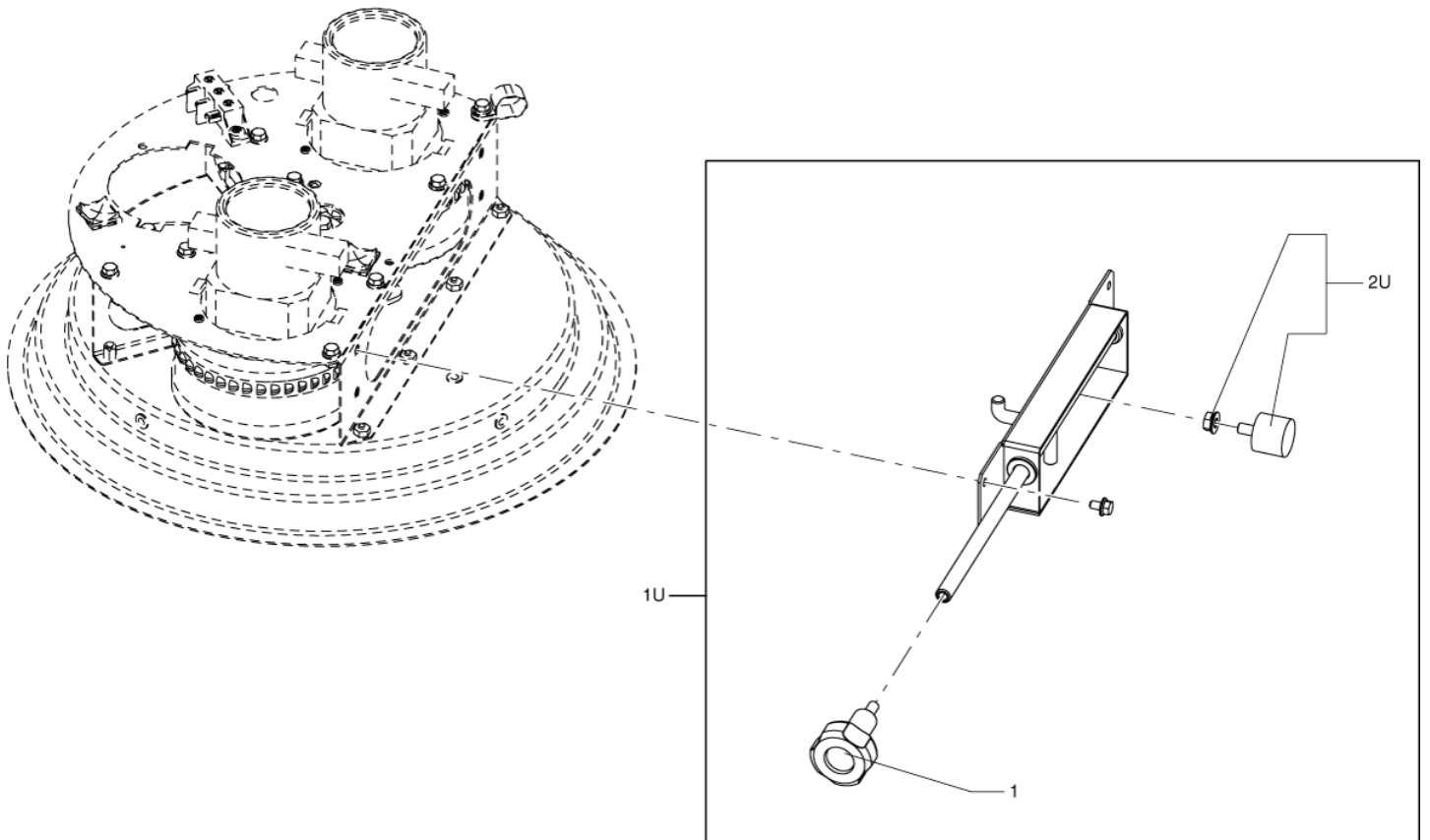
Suction unit 06

S2 H

13-09-2012

Part List ID S2H23

25



Suction unit 06

S2 H

13-09-2012

Part List ID S2H23

26

Pos	Part no.	Qty	Description
1	4084001012	1	FILTER SHAKER KNOB M8 MOD.S2-S3
1U	40000906	1	FILTERSHAKER KIT
2U	40000907	1	PUFFER KIT

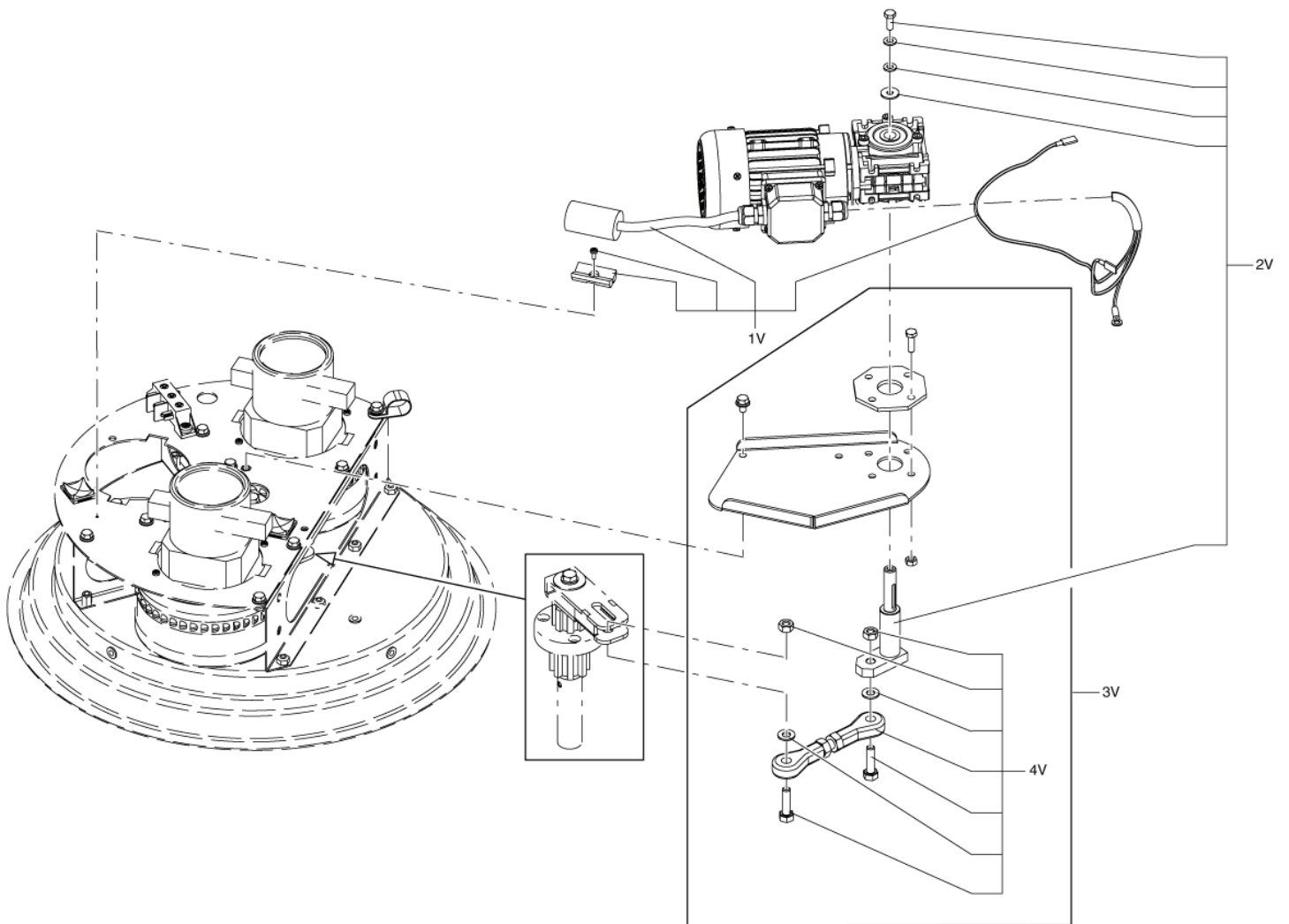
Suction unit 07

S2 H

13-09-2012

Part List ID S2H25

27



Suction unit 07

S2 H

13-09-2012

Part List ID S2H25

28

Pos	Part no.	Qty	Description
1V	4085600142	1	MOTORREDUCERXSE D460 S2-S3
1V	4085600143	1	MOTOR RED.SE D460 M.S2-S3V110 UK
2V	40000920	1	GEARMOTOR SHAFT KIT
3V	40000918	1	GEARMOTOR FIXING KIT
4V	40000919	1	FILTERSHAKER JOINT KIT

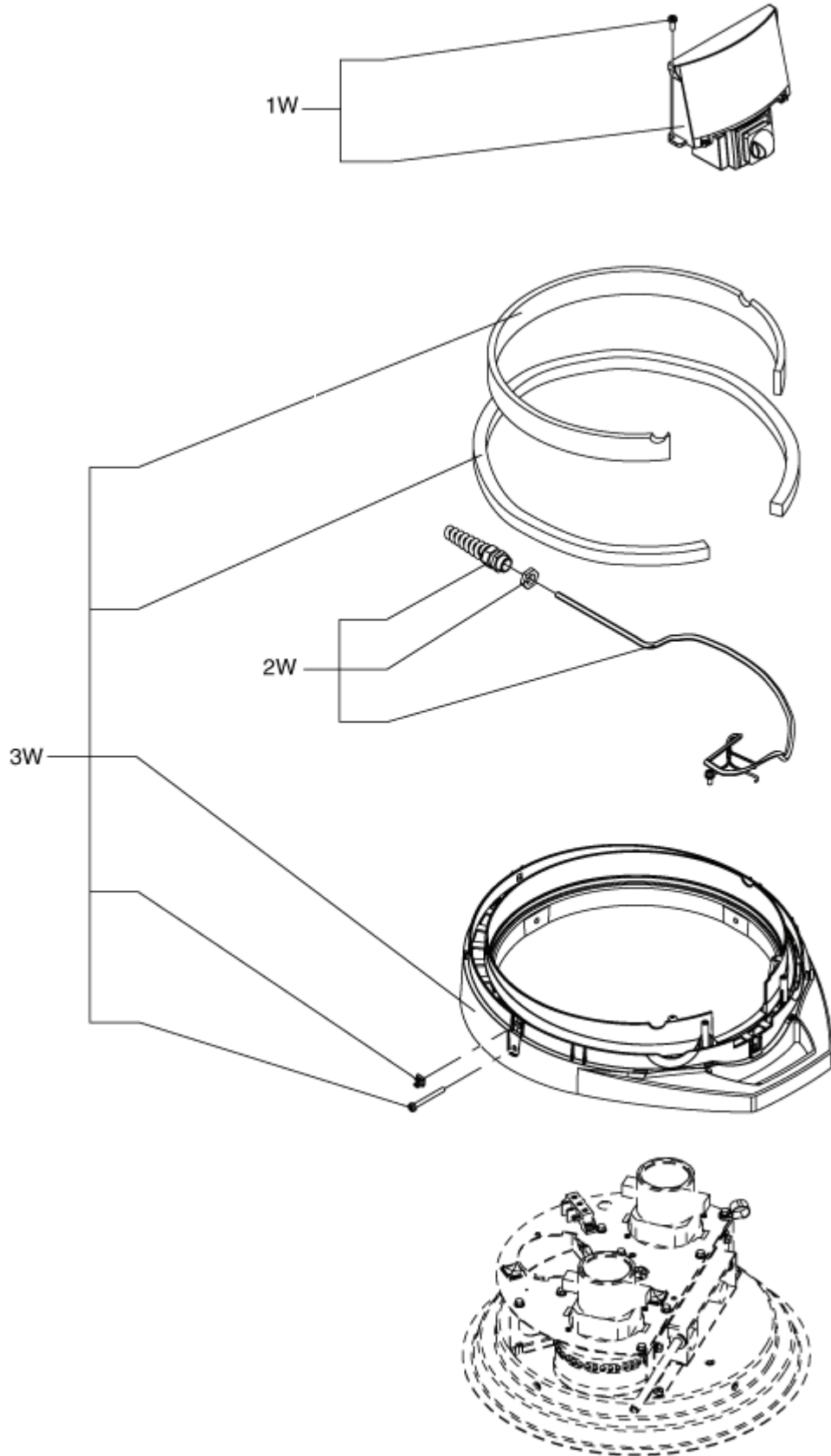
Suction unit 08

S2 H

13-09-2012

Part List ID S2H27

29



Suction unit 08

S2 H

13-09-2012

Part List ID S2H27

30

Pos	Part no.	Qty	Description
1W	40000911	1	KEYBOARD KIT 2 MOTORS 110V UK
1W	40000912	1	KEYBOARD KIT 2 MOTORS 230V
2W	40000909	1	CABLE KIT V230 EU
2W	40000910	1	S2B CABLE KIT V110 UK
2W	40000913	1	CABLE KIT V230 UK
3W	40000908	1	DIFFUSER KIT

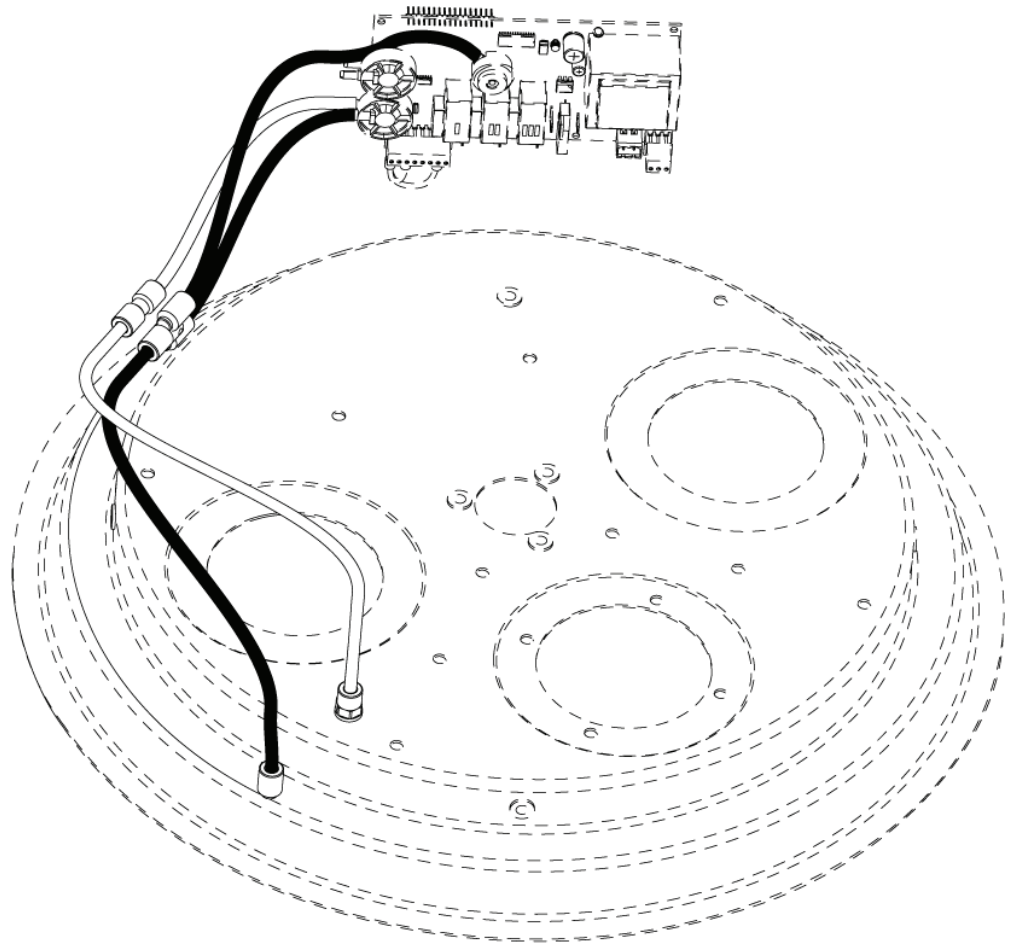
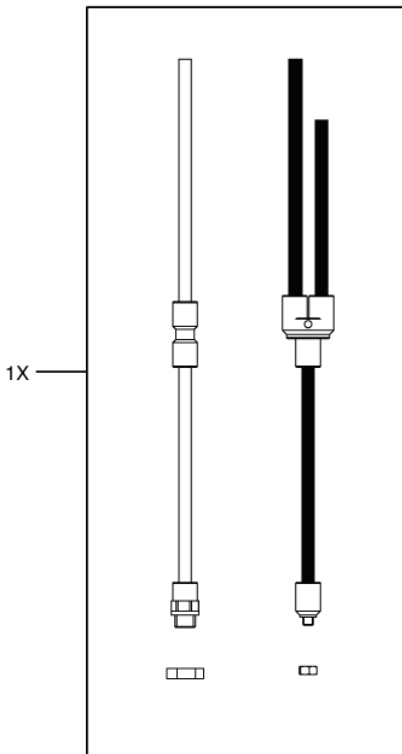
Suction unit 09

S2 H

13-09-2012

Part List ID S2H29

31



Suction unit 09

S2 H

13-09-2012

Part List ID
SZH29

32

Pos	Part no.	Qty	Description
1X	40000914	1	FILTER SENSOR HOSE KIT

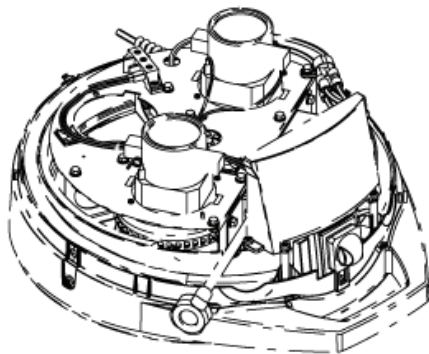
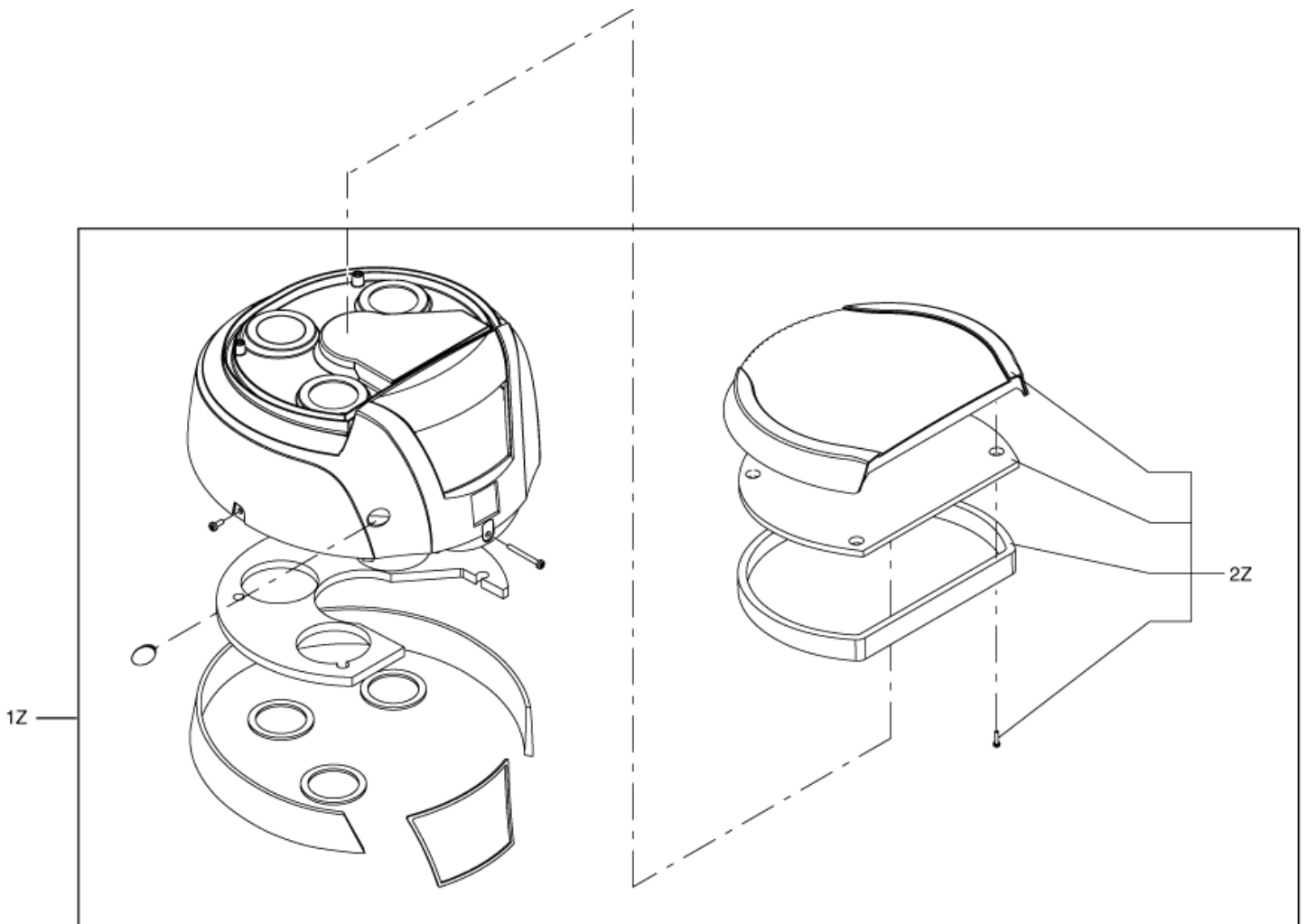
Suction unit 10

S2 H

13-09-2012

Part List ID S2H31

33



Suction unit 10

S2 H

13-09-2012

Part List ID S2H31

34

Pos	Part no.	Qty	Description
1Z	40000917	1	COMPLETE COVER KIT
2Z	40000916	1	AIR INTAKE COVER KIT