

Clemas & Co Ltd

Industrial Cleaning Equipment
Sales - Hire - Service

TORNADO P2 P4 D1ES ELECTRON PRESSURE WASHERS OPERATOR MANUAL



Clemas & Co. Unit 5 Ashchurch Business Centre, Alexandra Way, Tewkesbury,
Gloucestershire, GL20 8NB.

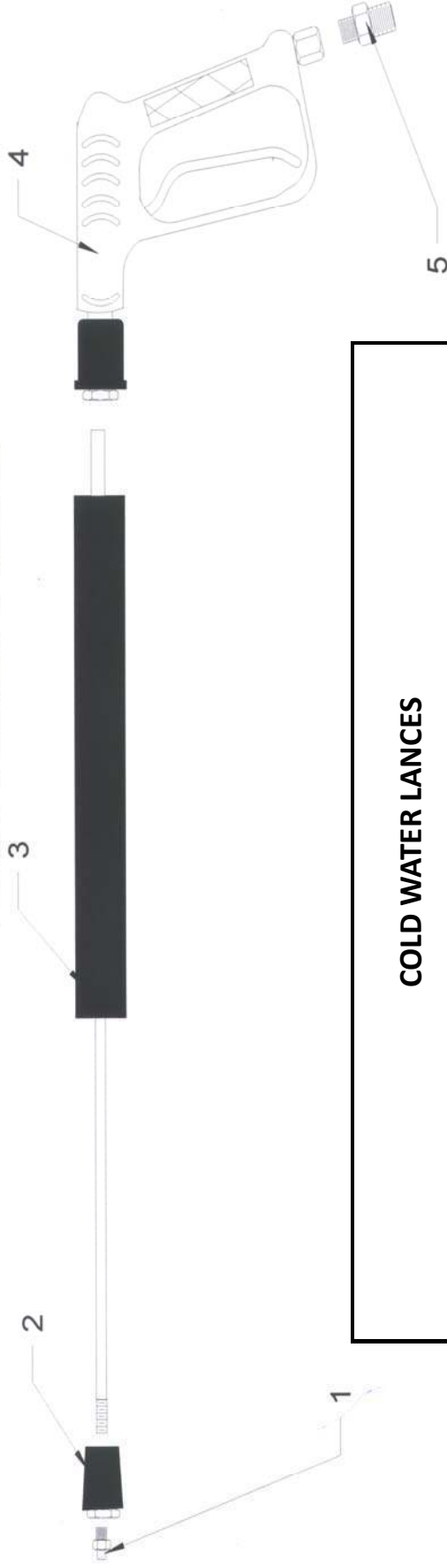
Tel: 01684 850777

Fax: 01684 850707

Email: info@clemas.co.uk

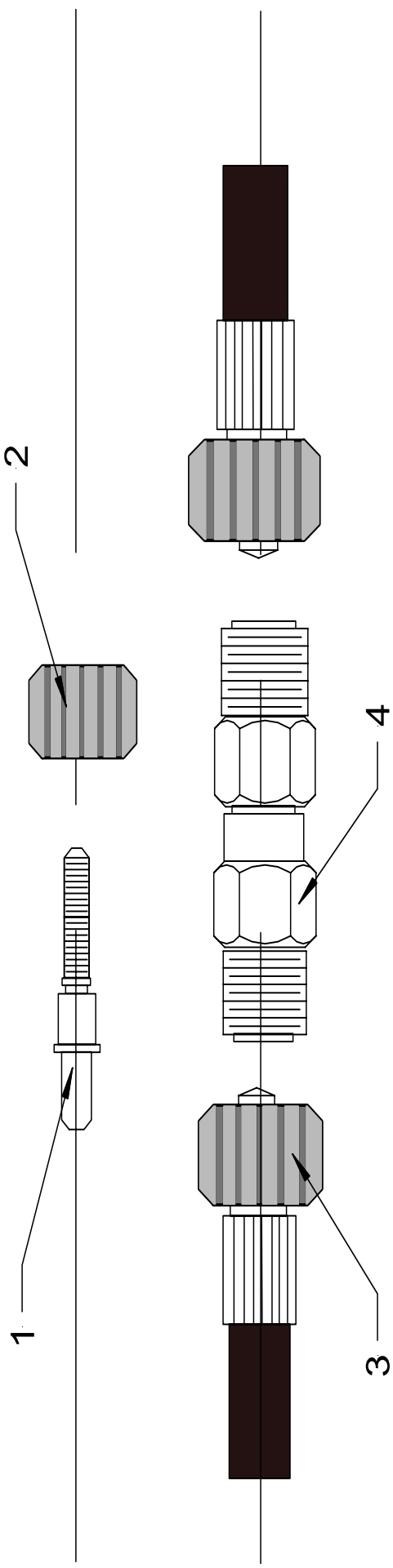
Web: www.clemas.co.uk

Cold Water Lance



COLD WATER LANCES			
Pos	Part No	Description	Qty
1	N26001/1504	Nozzle P1	1
1	N26001/15045	Nozzle P2	1
1	N26001/1505	Nozzle P4 & D1ES	1
2	MTM90040	Adjustable Nozzle	1
3	DEM10031B	QR Lamce P2	1
3	DEM10031Y	QR Lance P1	1
3	DEM10031R	QR Lance P4 & D1ES	1
4	DEM10030	QR Trigger	1
5	MTM70012	MVG Coupling	1

High Pressure Hoses

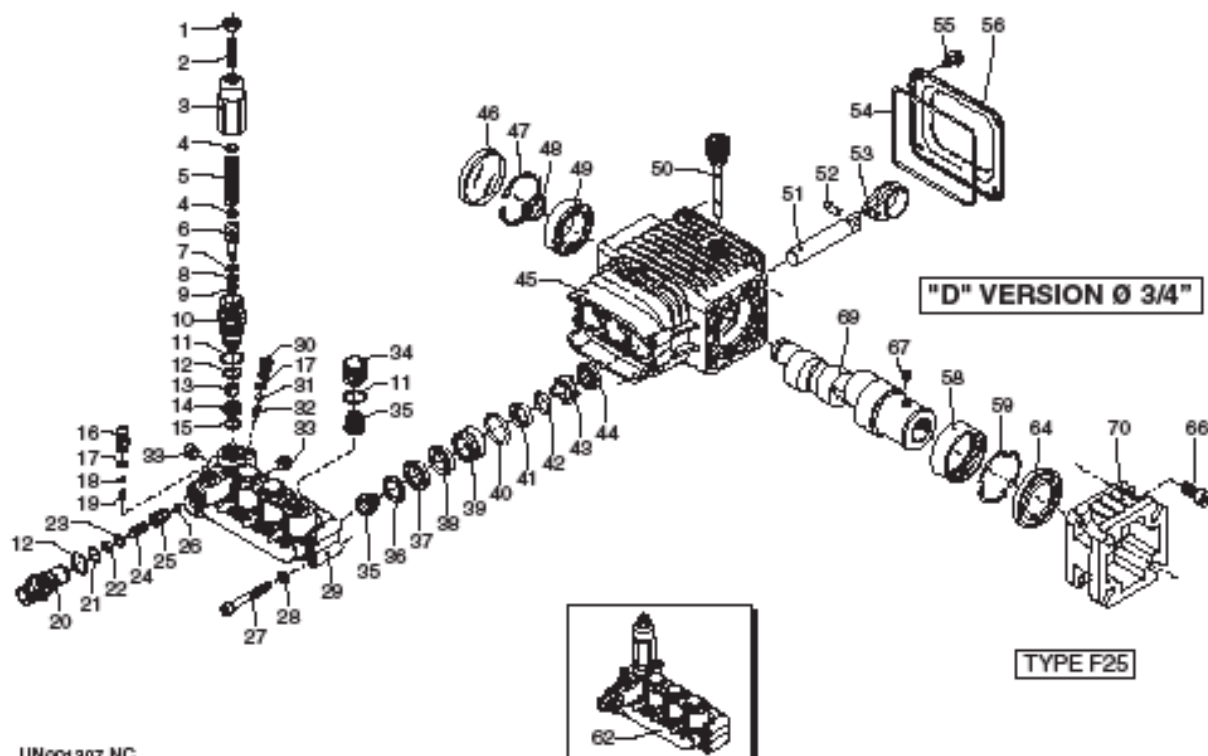


1.	Hose Insert	MV00490 (items 1 & 2)
2.	Nut	
3.	High Pressure Hose	HH00030MVG
4.	Hose Joiner	MV00500
Alternative Hose Lengths		
	15 Metre	HH00050MVG
	30 Metre	HH00100MVG

RSV

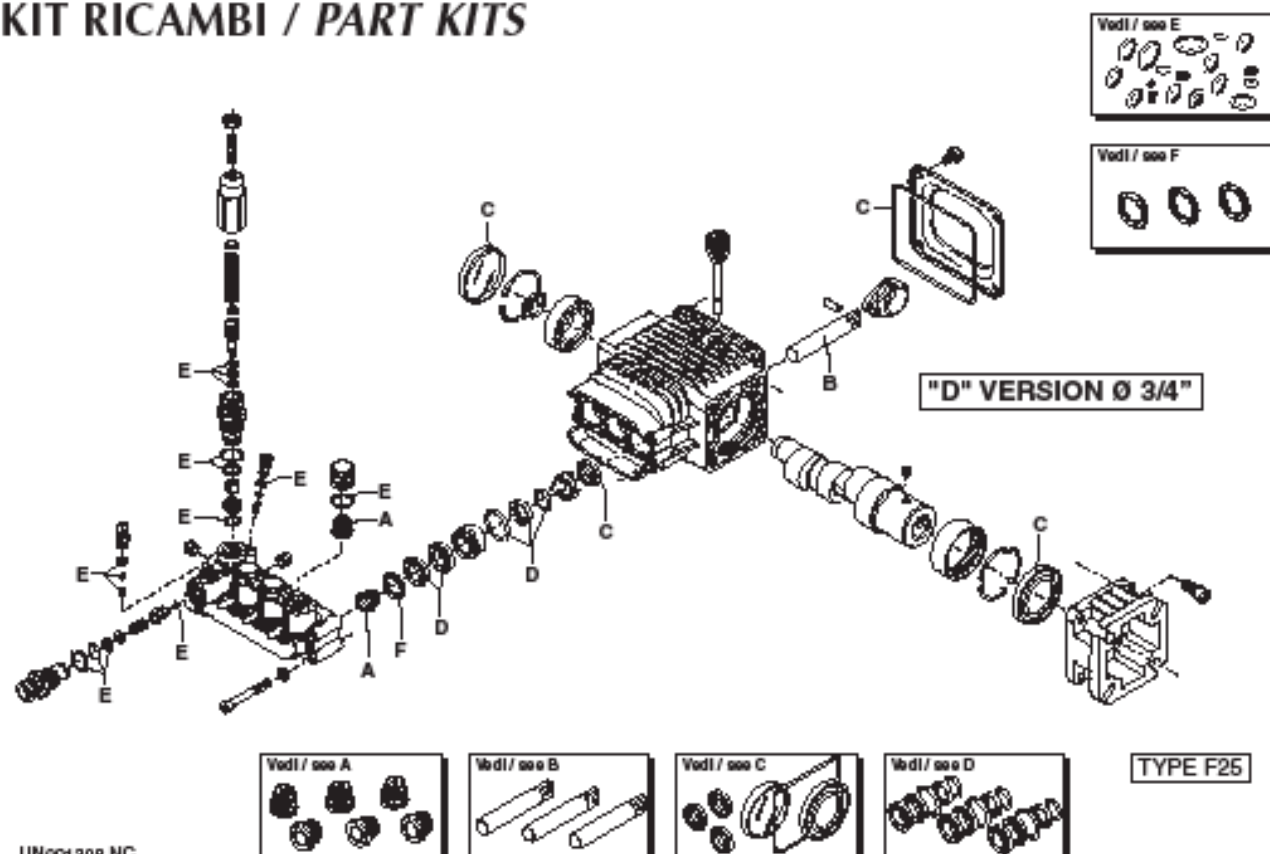
NOZZLE ID 3400 RPM

Ø 3/4"



UN001307-NC

KIT RICAMBI / PART KITS



UN001308-NC

RSV

VERSION

D 3400

RPM

Ø 3/4"



Pos.	Cod. Part n°	Denominazione	Description	Q.tà Q.ty	Note Vedi / See	Pos.	Cod. Part n°	Denominazione	Description	Q.tà Q.ty	Note Vedi / See
1	1980300	Dado M 6	Nut	1		43	2760310	Distanziale	Spacer	3	
2	2760420	Grano M 6X12	Grub screw	1		44	1260460	Anello tenuta	Seal	3	
3	1980540	Inserito manopola	Handle insert	1		45	2760010	Corpo pompa	Pump body	1	
4	1980220	Piattello molla	Plate spring	2		46	1266740	Cappellotto chiusura	Cap	1	
5	2760410	Molla	Spring	1		47	1260790	Anello seeger Øi 52	Circlip	1	
6	2760400	Pistone valvola	Valve piston	1		48	1780550	Anello elastico	Snap ring	1	
7	2260100	OR Ø 6,02x2,62	O-Ring	1		49	2760340	Cuscinetto	Bearing	1	
8	660190	OR Ø 6,07x1,78	O-Ring	1		50	880130	Tappo olio	Oil cap	1	
9	2760210	Anello antiestrusione	Ring	1		51	2760040	Pistone	Piston	3	
10	2760050	Guida pistone	Piston guide	1		52	1780050	Spinotto	Piston pin	3	
11	1200690	OR Ø 15,6x1,78	O-Ring	4		53	1780040	Biella alluminio	Aluminium con rod	3	
12	394280	OR Ø 12,42x1,78	O-Ring	2		54	2760280	OR Ø 101,27x2,62	O-Ring	1	
13	2260070	Otturatore by pass	By-pass jet	1		55	802190	Vite TE M 6x12	Screw	4	
14	2760090	Sede	Seat	1		56	2760110	Coperchio posteriore	Rear cover	1	
15	770140	OR Ø 11,11x1,78	O-Ring	1		58	2760350	Cuscinetto	Bearing	1	
16	1982520	Portagomma	Hose tail	1		59	1321080	Anello elastico	Snap ring	1	
17	480480	OR Ø 4,48x1,78	O-Ring	2		62	2769200	Prem. testa pompa	Pump head pre-ass.	1	
18	1250280	Sfera	Ball	1		64	480671	Anello tenuta	Seal	1	
19	1560520	Molla	Spring	1		66	180030	Vite TCEI M 8x20	Screw	4	
20	2760230	Iniettore detergente	Detergent injector	1		67	820440	Grano M 6	Grub screw	1	
21	2760270	OR Ø 12x1	O-Ring	1		69	1780590	Albero ecc. cavo	Hollow shaft	1	○
22	1470210	OR Ø 9x1	O-Ring	1			1780600	Albero ecc. cavo	Hollow shaft	1	●
23	2760120	Inserito iniettore	Injector insert	1		70	1780580	Flangia mot.scoppio	Gas engine flange	1	Type F 25
24	2760200	Molla	Spring	1							
25	2760130	Otturatore	Jet	1							
26	1460430	OR Ø 4x2,5	O-Ring	1							
27	801080	Vite TCEI M 6x50	Screw	8							
28	1381550	Rondella	Washer	8							
29	2760020	Testa	Head	1							
30	2760140	Tappo ez-start	Ez-start plug	1							
31	1982240	Sfera	Ball	1							
32	1981800	Molla	Spring	1							
33	2760260	Tappo 1/4" G conico	Plug	2							
34	2760180	Tappo valvola	Plug	3							
35	2769050	Valvola completa	Complete valve	6							
36	2760220	Anello appoggio	Support ring	3							
37	1342761	Guarnizione	Gasket	3							
38	1981580	Anello antiestrusione	Ring	1							
39	1981570	Guida pistone	Piston guide	3							
40	770260	OR Ø 23,52x1,78	O-Ring	3							
41	1260440	Guarnizione	Gasket	3							
42	640070	OR Ø 13,95x2,62	O-Ring	3							

KIT RICAMBI PART KITS

LEGENDA :

A=KIT 2186 valvole valves		B=KIT 2187 Ø 15 pistoni pistons		C=KIT 2188 tenute olio oil seals		D=KIT 2189 Ø 15 tenute acqua water seals	
pos.	Q.ty	pos.	Q.ty	pos.	Q.ty	pos.	Q.ty
35	6	51	3	44	3	37	3
				46	1	38	3
				54	1	40	3
				64	1	41	3
						42	3

Ø 15

○ Per / For
RSV 2.5 G25

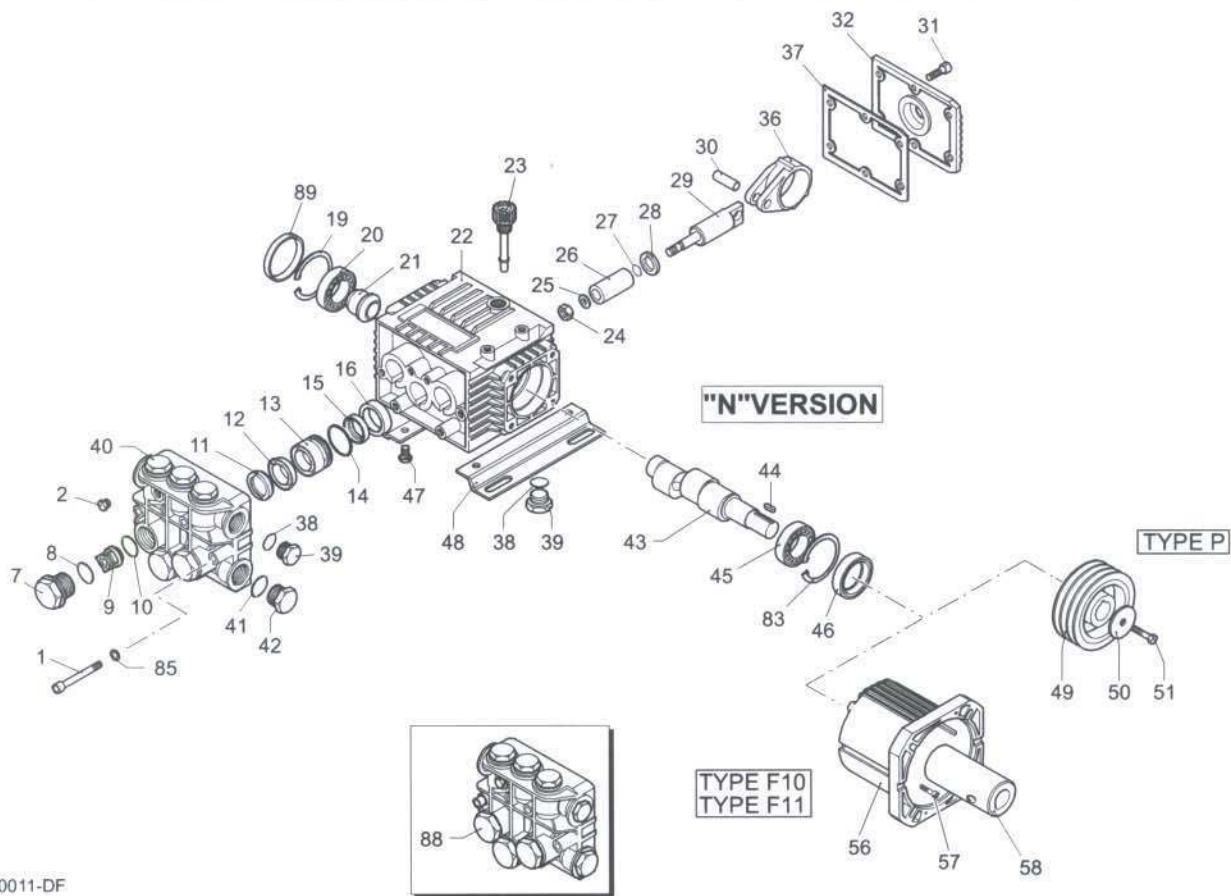
Ø 15

● Per / For
RSV 3 G25

E=KIT 2190 OR O-Rings				F=KIT 2191 Ø 15 anelli appoggio support rings			
pos.	Q.ty	pos.	Q.ty	pos.	Q.ty	pos.	Q.ty
7	1	17	2	36	3		
8	1	18	1				
9	1	19	1				
11	4	21	1				
12	2	22	1				
15	1	26	1				

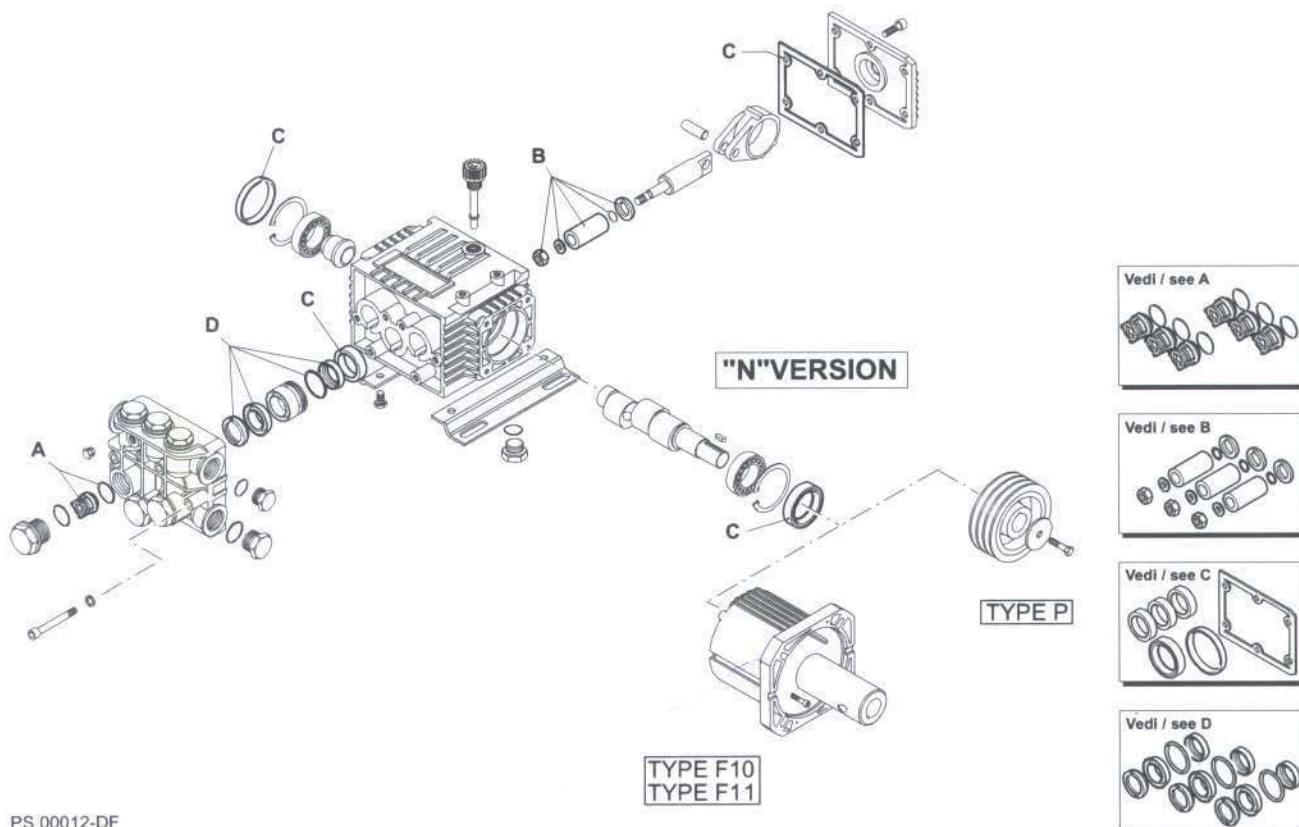
XT

VERSION **N** 1450 RPM



PS 00011-DF

KIT RICAMBI / PART KITS



PS 00012-DF

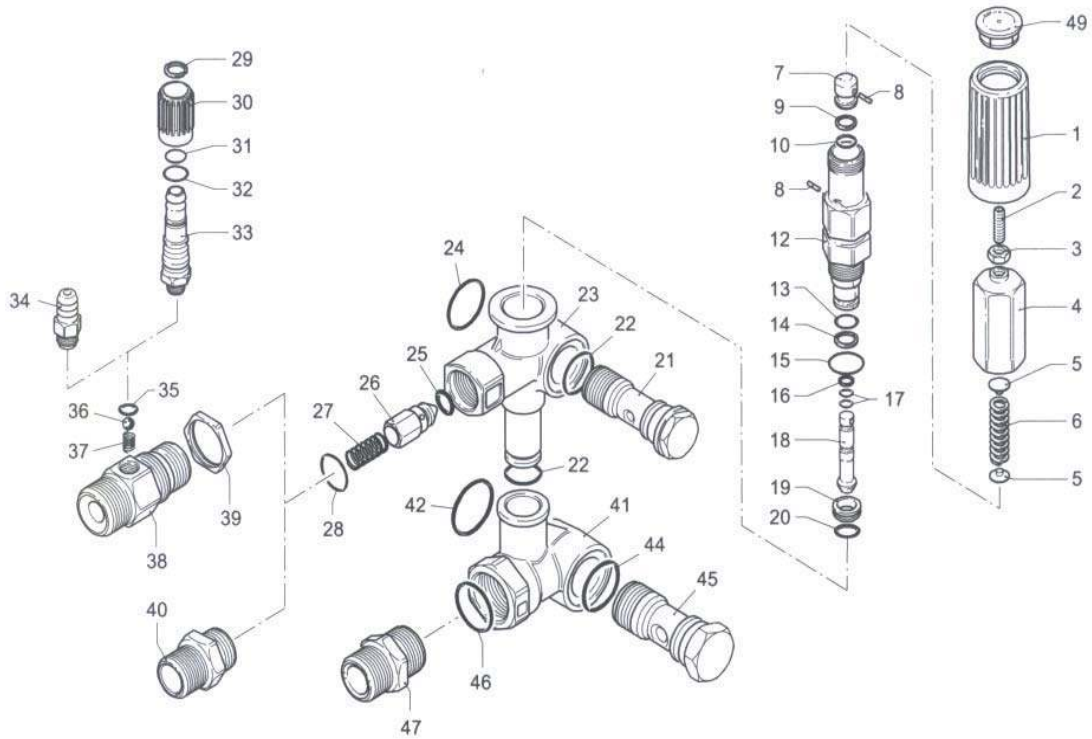
XT 1450

Pos	Code No	Description	Qty	Pos	Code No	Description	Qty
1	AR1322730	Screw	6	40	AR1320020	Pump Head	1
2	AR620301	Plug	1	41	AR180101	O Ring	1
7	AR1260162	Plug	6	42	AR820361	Plug	1
8	AR960160	O Ring	6	43	AR1260200	Crankshaft	1
9	AR1269050	Complete Valve	6	43	AR1320260	Crankshaft	1
10	AR880830	O Ring	6	44	AR1380520	Key	1
11	AR1320340	Support Ring	3	45	AR1320370	Bearing	1
12	AR1260220	Gasket	3	46	AR1260750	Seal	1
13	AR1320351	Piston Guide	3	47	AR1260470	Screw	4
14	AR1260420	O Ring	3	48	AR1263890	Base	2
15	AR1260450	Gasket	3	83	AR1260790	Circlip	1
16	AR1260460	Seal	3	85	AR1381550	Washer	6
19	AR1260790	Circlip	1	88	AR1269222	Pump Head pre-ass	1
20	AR1320370	Bearing	1	89	AR1266740	Cap	1
21	AR1320330	Bushing	1				
22	AR1320010	Pump Housing	1				
23	AR880130	Oil Plug	1				
24	AR1260110	Nut	3				
25	AR1260100	Washer	3				
26	AR1260210	Piston	3				
27	AR480480	O Ring	3				
28	AR1260091	Spacer	3				
29	AR1260070	Guiding Piston	3				
30	AR1260080	Piston Pin	3				
31	AR1260760	Screw	6				
32	AR1269101	Complete Cover	1				
32	AR1320910	Complete Cover	1				
36	AR1260060	Con Road	3				
36	AR1320140	Con Road	3				
37	AR1260040	Gasket	1				
38	AR740290	O Ring	2				
39	AR1980740	Plug	2				

ARKIT1864		ARKIT2629		ARKIT1872	
Valve Kit		Piston Kit		Oil Seal Kit	
Pos	Qty	Pos	Qty	Pos	Qty
9	6	24	3	16	3
10	6	25	3	37	1
		26	3	46	1
		27	3	89	1
		28	3		

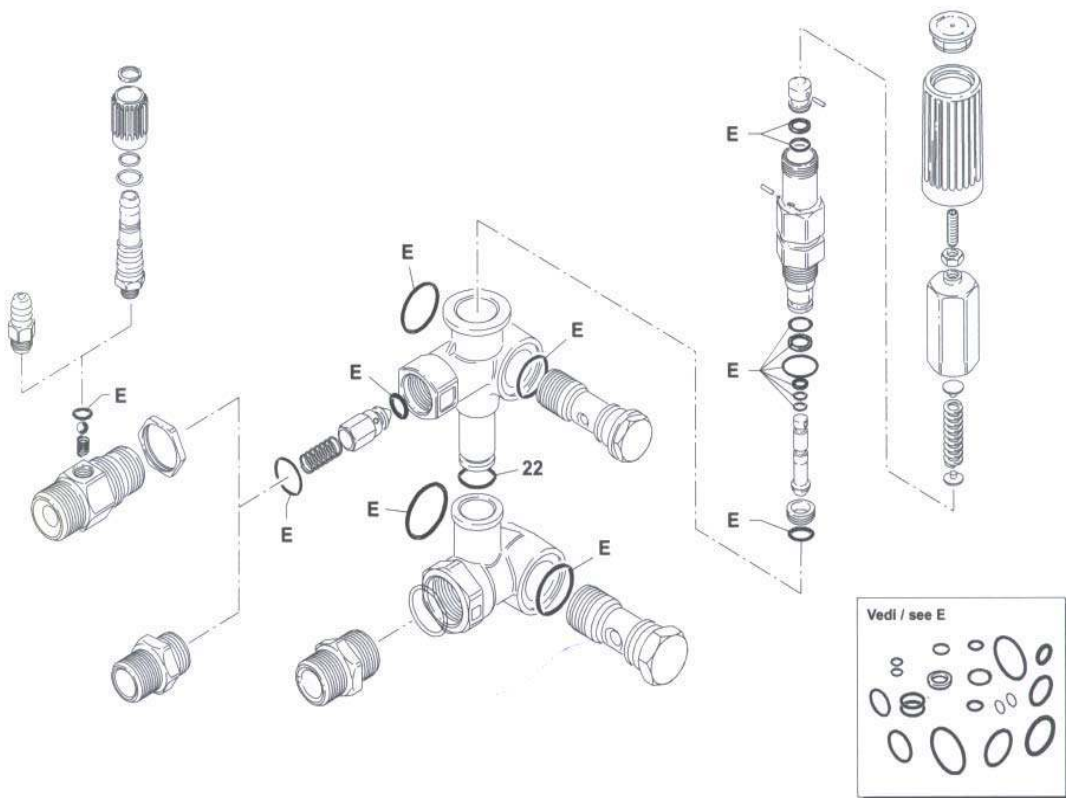
ARKIT1874	
Water Seals	
11	3
12	3
14	3
15	3

MINIMATIC 4/B



UN000186-HF

KIT RICAMBI / PART KITS



UN000187-HF

MINIMATIC 4/B



Pos.	Cod. Part n°	Denominazione	Description	Q.tà Q.ty	Note Vedi / See	Pos.	Cod. Part n°	Denominazione	Description	Q.tà Q.ty	Note Vedi / See
1	1981780	Manopola	Handle	1		40	1540180	Niples 3/8" G	Adaptor 3/8" G	1	●
2	1540560	Grano M6x20	Grub	1		41	1540500	Niples 3/8" NPT	Adaptor 3/8" NPT	1	●
3	1980300	Dado M6	Nut	1			1540280	Corpo by-pass	By-pass housing	1	3/8" G
4	1980390	Inserito manopola	Knob insert	1			1540480	Corpo by-pass	By-pass housing	1	3/8" NPT
5	1980220	Piattello molla	Spring plate	2		42	1540630	OR Ø 23,47x2,62	O-Ring	1	
6	1271070	Molla	Spring	1		44	880270	OR Ø 17,17x1,78	O-Ring	1	
7	1080041	Pistone superiore	Upper piston	1		45	1540260	Vite 1/2" G	Thread screw	1	
8	1080070	Spina	Pin	2		46	480440	OR Ø 17,13x2,62	O-Ring	1	Optional
9	1080401	Anello antiest.	Back-up ring	1		47	1540050	Raccordo	Fitting	1	Optional
10	1080250	OR Ø 7,66x1,78	O-Ring	1		49	1981770	Tappo manopola	Knob plug	1	
12	1980210	Guida pistone	Piston Guide	1							
13	740290	OR Ø 14x1,78	O-Ring	1							
14	800560	OR Ø 8,73x1,78	O-Ring	1							
15	880830	OR Ø 15,54x2,62	O-Ring	1							
16	1271170	Anello antiest.	Back-up ring	1							
17	1080190	OR Ø 2,90x1,78	O-Ring	2							
18	1271160	Pistone inferiore	Lower piston	1							
19	1980200	Sede valvola	Valve seat	1							
20	1470210	OR Ø 9x1	O-Ring	1							
21	1540270	Vite 3/8" G	Thread screw	1	Ottone/Brass						
	1540430	Vite 3/8" G Inox	Thread screw	1	Inox/Steel						
22	390080	OR Ø 11,91x2,62	O-Ring	2							
23	1540510	Corpo valvola	Valve housing	1							
24	1140450	OR Ø 20,24x2,62	O-Ring	1							
25	1460430	OR Ø 4x2,5	O-Ring	1							
26	1540170	Otturatore	Jet	1							
27	1080091	Molla	Spring	1							
28	394280	OR Ø 12,42x1,78	O-Ring	1							
29	1560660	Anello	Ring	1	▲						
30	1560680	Manopola reg.det.	Detergent reg. knob	1	▲						
31	480560	OR Ø 6,75x1,78	O-Ring	1	▲						
32	800560	OR Ø 8,73x1,78	O-Ring	1	▲						
33	1560650	Portagomma	Hose tail	1	▲						
34	1560490	Portagomma	Hose tail	1	■						
35	480480	OR Ø 4,48x1,78	O-Ring	1	■▲						
36	1250280	Sfera	Ball	1	■▲						
37	1560520	Molla	Spring	1	■▲						
	1540570	Raccordo 3/8" G	Fitting 3/8" G	1	Ø 2 ■▲						
	1540580	Raccordo 3/8" G	Fitting 3/8" G	1	Ø 2,3 ■▲						
	1540610	Raccordo 3/8" NPT	Fitting 3/8" NPT	1	Ø 2 ■▲						
	1540620	Raccordo 3/8" NPT	Fitting 3/8" NPT	1	Ø 2,3 ■▲						
38	1540300	Controdado	Nut	1	■▲						

KIT RICAMBI PART KITS

LEGENDA :

E=KIT 2812
OR
O-Rings

pos.	Q.ty	pos.	Q.ty	pos.	Q.ty	pos.	Q.ty
9	1	17	2	35	1		
10	1	20	1	42	1		
13	1	22	2	44	1		
14	1	24	1				
15	1	25	1				
16	1	28	1				

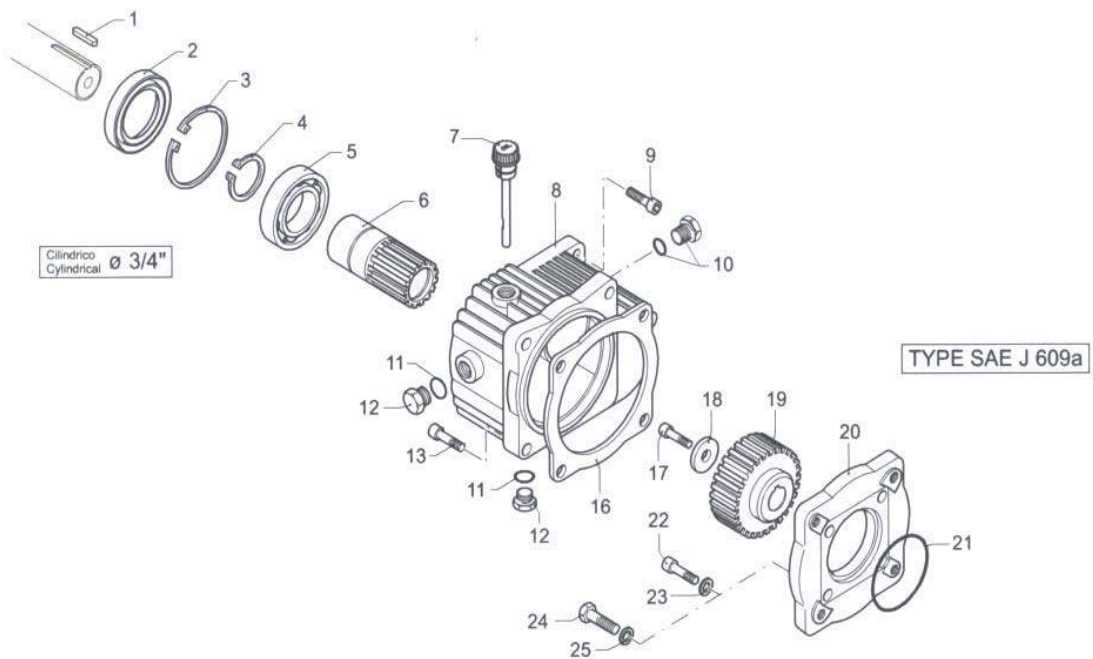
● Per / For
MINIMATIC 4/B

■ Per / For
MINIMATIC 4/B+ID

▲ Per / For
MINIMATIC 4/B+IDR

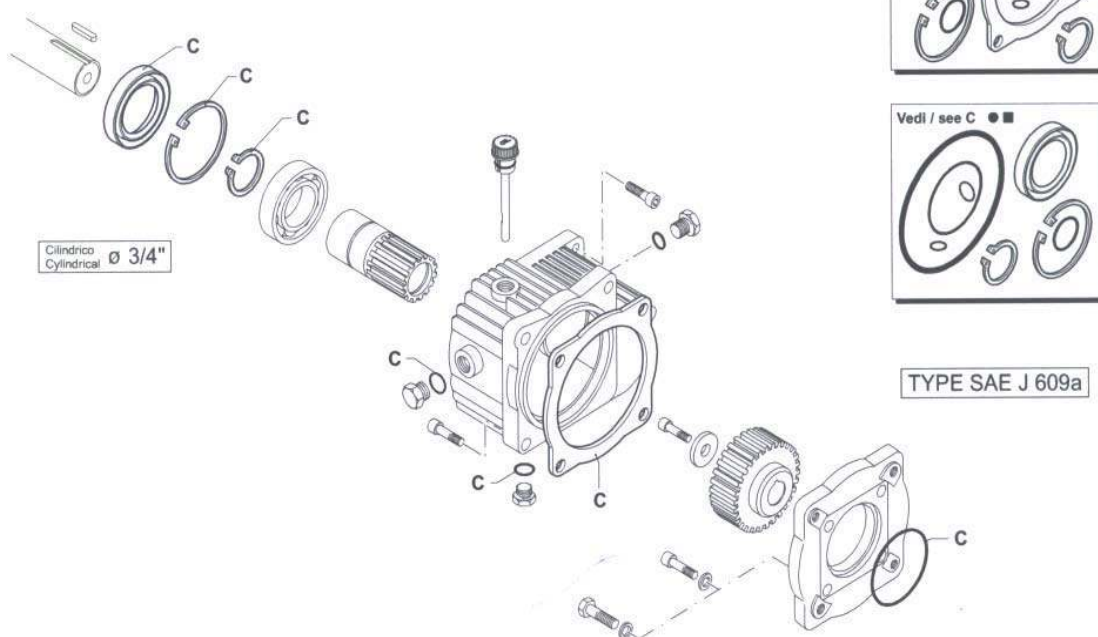
pos.	Q.ty	pos.	Q.ty	pos.	Q.ty	pos.	Q.ty

CR RIDUTTORE - GEAR BOX



UN000228-HF

KIT RICAMBI / PART KITS



UN000229-HF

CR RIDUTTORE - GEAR BOX



Pos.	Cod. Part n°	Denominazione	Description	Q.tà Q.ty	Note Vedi / See	Pos.	Cod. Part n°	Denominazione	Description	Q.tà Q.ty	Note Vedi / See
1	881090	Linguetta	Key	1							
2	961800	Anello tenuta	Seal	1							
3	961790	Seeger Ø1 68	Circlip	1							
4	320240	Seeger Øe 40	Circlip	1							
5	961781	Cuscinetto	Bearing	1							
6	1322920	Pignone Ø 3/4"	Pinion	1	Z=23 ● ○						
	1322930	Pignone Ø 3/4"	Pinion	1	Z=21 ■						
7	1140370	Tappo olio + OR	Oil plug + O-ring	1							
8	1320910	Scatola riduttore	Gear box	1							
9	651000	Vite TCEI 5/16"	Screw	4							
10	1980290	Tappo 3/8"	Plug	1							
11	740290	OR Ø 14x1,78	O-Ring	2							
12	1980740	Tappo 3/8"G	Plug	2	Ottone/Brass						
13	160671	Vite TCEI M 10x25	Screw	4							
16	1320990	Guarnizione scatola	Gasket	1	○						
	1520590	OR Ø 107,67x1,78	O-Ring	1	● ■						
17	880280	Vite TCEI M 6x18	Screw	1							
18	780230	Rondella Tenuta	Washer	1							
19	1322940	Ruota dentata	Gear	1	Z=45 ○						
	1321230	Ruota dentata	Gear	1	Z=45 ●						
	1320960	Ruota dentata	Gear	1	Z=47 ■						
20	1320920	Flangia riduttore	Flange	1	○						
	1320930	Flangia riduttore	Flange	1	● ■						
21	650920	OR Ø 53,65x2,62	O-Ring	1	○						
	640030	OR Ø 60x2,62	O-Ring	1	● ■						
22	780330	Vite TCEI M 6x20	Screw	4	○						
23	1341020	Rondella 6x10x1	Washer	4	○						
24	180430	Vite TE M 8x20	Screw	4	● ■ XM-XMA						
	390450	Vite TE M 8x30	Screw	4	● ■ XRC-XRCA						
25	1260100	Rondella 8x13x0,50	Washer	4	● ■						

KIT RICAMBI PART KITS

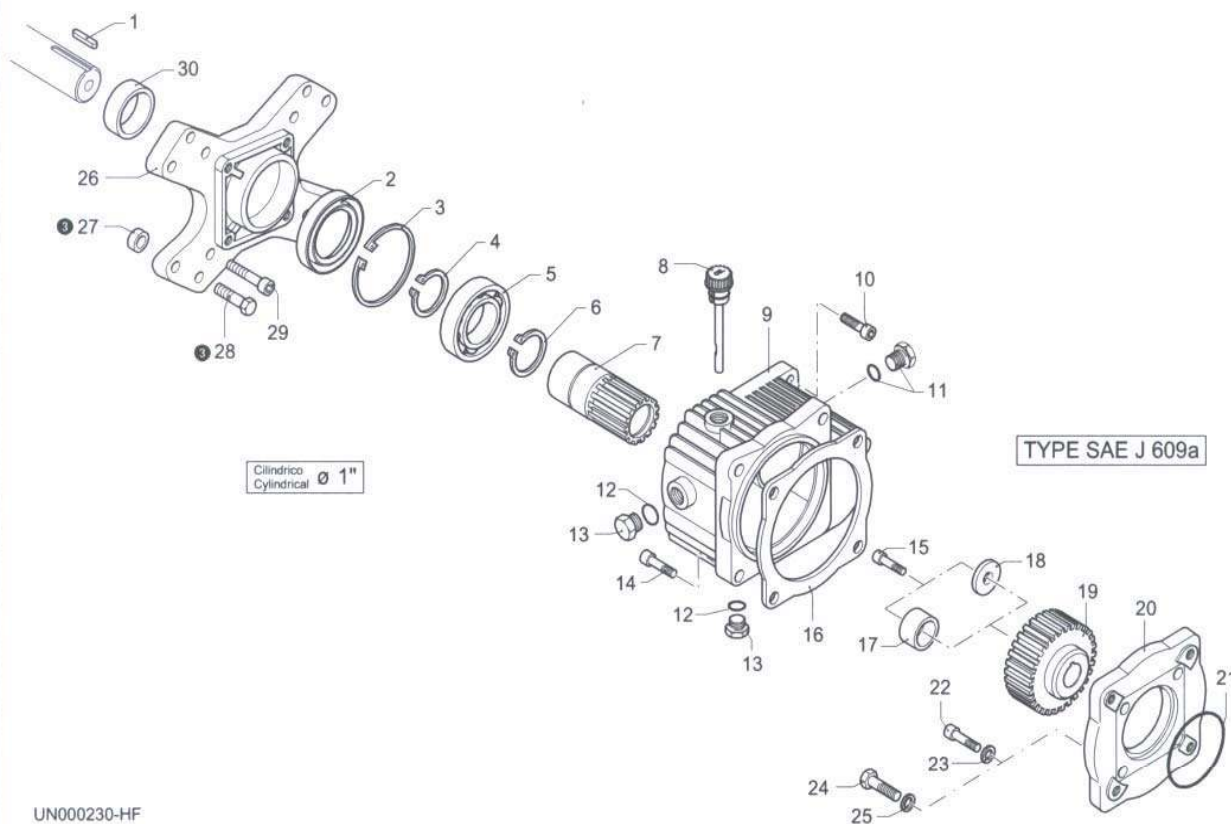
LEGENDA :

C=KIT 2793 ○ tenute olio oil seals		C=KIT 2525 ● ■ tenute olio oil seals					
pos.	Q.ty	pos.	Q.ty	pos.	Q.ty	pos.	Q.ty
2	1	2	1				
3	1	3	1				
4	1	4	1				
11	2	11	2				
16	1	16	1				
21	1	21	1				

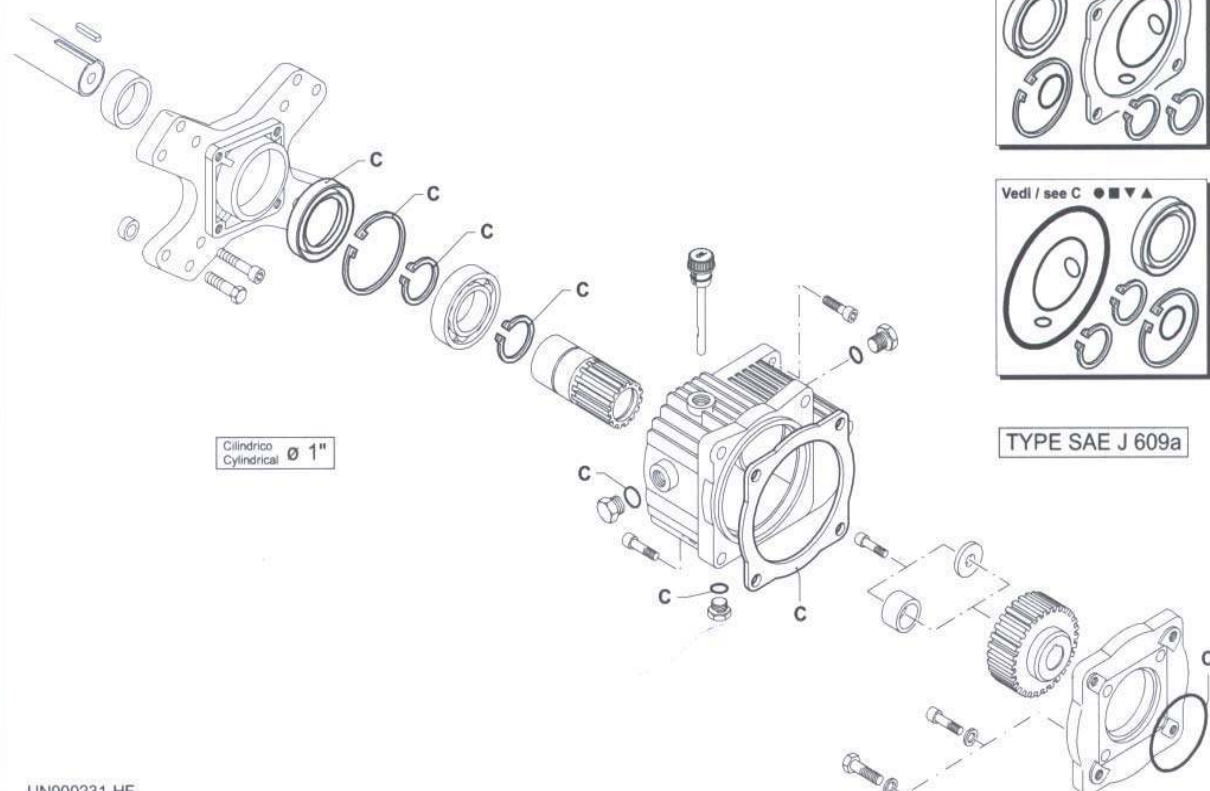
○ Per / For COD. 1694 1:2 XT/XTA series	● Per / For COD. 1692 1:2 XM/XMA series XRC/XRCAseries	■ Per / For COD. 1691 1:2 XM series XRC series
--	--	--

pos.	Q.ty	pos.	Q.ty	pos.	Q.ty	pos.	Q.ty

CR RIDUTTORE - GEAR BOX



KIT RICAMBI / PART KITS



CR RIDUTTORE - GEAR BOX



Pos.	Cod. Part n°	Denominazione	Description	Q.tà Q.ty	Note Vedi / See	Pos.	Cod. Part n°	Denominazione	Description	Q.tà Q.ty	Note Vedi / See
1	1382510	Chiavetta (8 HP)	Key	1	○ ● ■ ▼ ▲						
	881090	Linguetta (9-18 HP)	Key	1	● ■ ▼ ▲						
2	961800	Anello tenuta	Seal	1							
3	961790	Seeger Ø1 68	Circlip	1							
4	320240	Seeger Øe 40	Circlip	1							
5	961781	Cuscinetto	Bearing	1							
6	320240	Seeger Øe 40	Circlip	1	■ ▲						
7	1382420	Pignone Ø 1" Z=23	Pinion	1	○ ● ▼						
	1382430	Pignone Ø 1" Z=21	Pinion	1	■ ▲						
8	1140370	Tappo olio + OR	Oil plug + O-ring	1							
9	1320910	Scatola riduttore	Gear box	1							
10	881940	Vite TCEI M 8x25	Screw	4							
11	1980290	Tappo 3/8"	Plug	1							
12	740290	OR Ø 14x1,78	O-Ring	2							
13	1980740	Tappo 3/8"G	Plug	2	Ottone/Brass						
14	160671	Vite TCEI M 10x25	Screw	4							
15	880280	Vite TCEI M 6x18	Screw	1							
16	1320990	Guarnizione scatola	Gasket	1	○						
	1520590	OR Ø 107,67x1,78	O-Ring	1	● ■ ▼ ▲						
17	1940500	Distanziale	Spacer	1	▼ ▲						
18	780230	Rondella Tenuta	Washer	1	○ ● ■						
19	1322940	Ruota dentata Z=45	Gear	1	○						
	1321230	Ruota dentata Z=45	Gear	1	● ▼						
	1320960	Ruota dentata Z=47	Gear	1	■ ▲						
20	1320920	Flangia riduttore	Flange	1	○						
	1320930	Flangia riduttore	Flange	1	● ■ ▼ ▲						
21	650920	OR Ø 53,65x2,62	O-Ring	1	○						
	640030	OR Ø 60x2,62	O-Ring	1	● ■ ▼ ▲						
22	780330	Vite TCEI M 6x20	Screw	4	○						
23	1341020	Rondella 6x10x1	Washer	4	○						
24	180430	Vite TE M 8x20	Screw	4	● ■ (XM)						
	390450	Vite TE M 8x30	Screw	4	● ■ ▼ ▲						
25	1260100	Rondella 8x13x0,50	Washer	4	● ■ ▼ ▲						
26	1320940	Flangia motore	Motor flange	1							
27	961770	Distanziale	Spacer	4	③						
28	961900	Vite TE 3/8"	Screw	4	③						
29	651000	Vite TCEI 5/16"	Screw	4							
30	1382540	Distanziale	Spacer	1	● ■ ▼ ▲						

③ Per motori italiani / Italian engines only

KIT RICAMBI PART KITS

C=KIT 2793 ○ tenute olio oil seals				C=KIT 2525 ● ■ ▼ ▲ tenute olio oil seals			
pos.	Q.ty	pos.	Q.ty	pos.	Q.ty	pos.	Q.ty
2	1	21	1	2	1	21	1
3	1			3	1		
4	1			4	1		
6	1			6	1		
12	2			12	2		
16	1			16	1		

pos.	Q.ty	pos.	Q.ty	pos.	Q.ty	pos.	Q.ty

LEGENDA :

● Per / For
cod. 1690
1:2
XM/XMA series
XRC/XRCAseries

■ Per / For
cod. 1689
1:2,24
XM series
XRC series

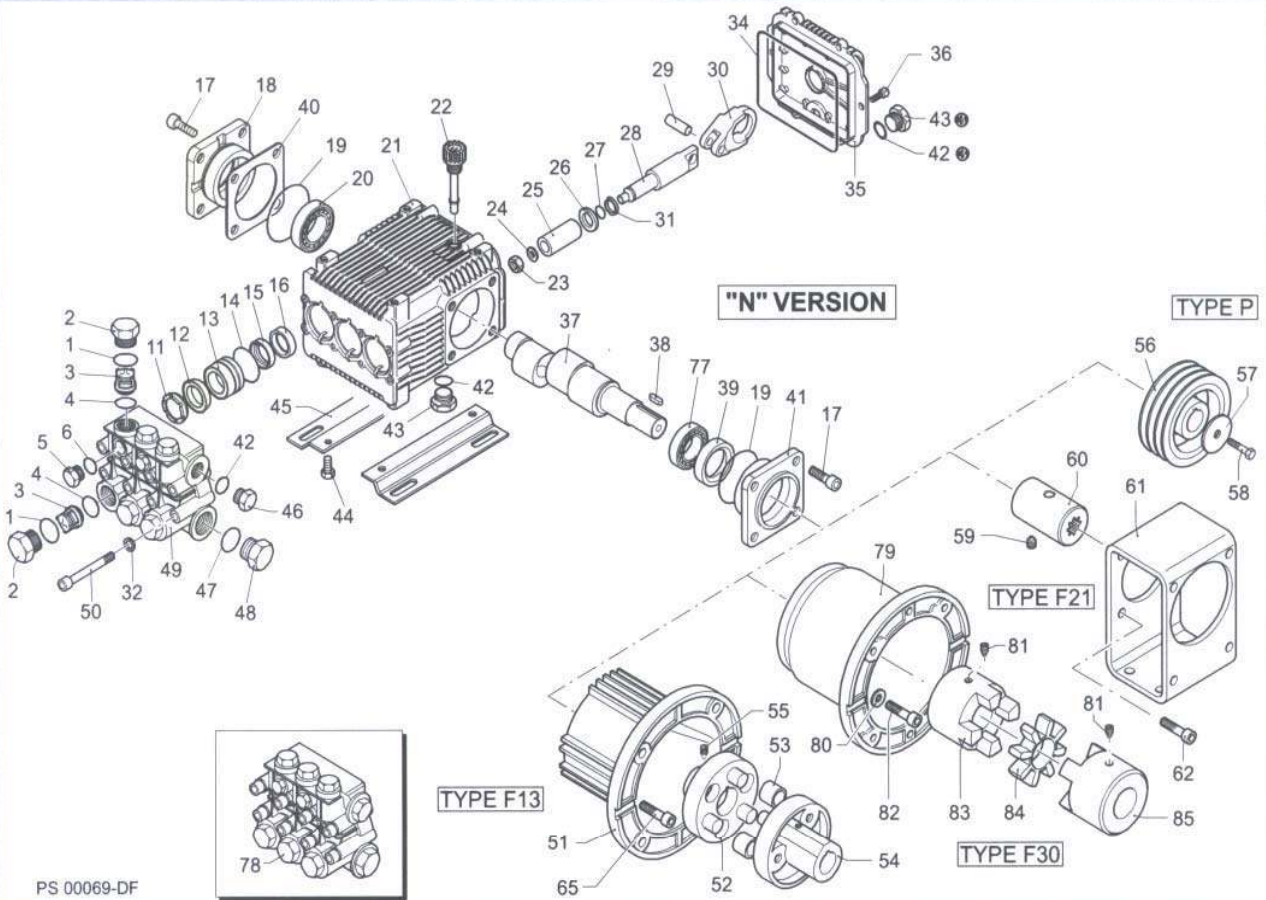
▼ Per / For
cod. 1697
1:2
XW/XWA series

▲ Per / For
cod. 1698
1:2,24
XW series

○ Per / For
cod. 1693
1:2,24
XT/XTA series

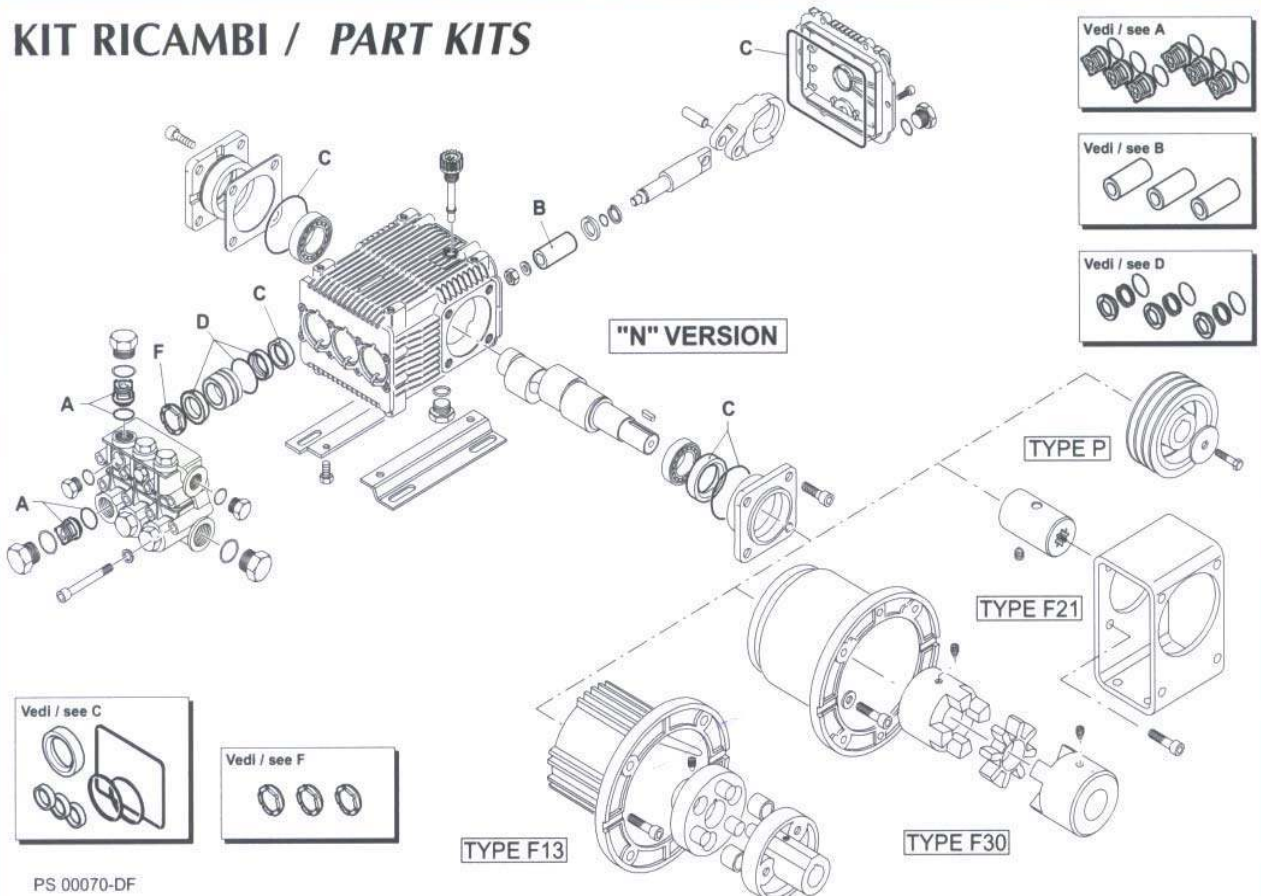
RK

VERSION N 1450 RPM



PS 00069-DF

KIT RICAMBI / PART KITS



PS 00070-DF

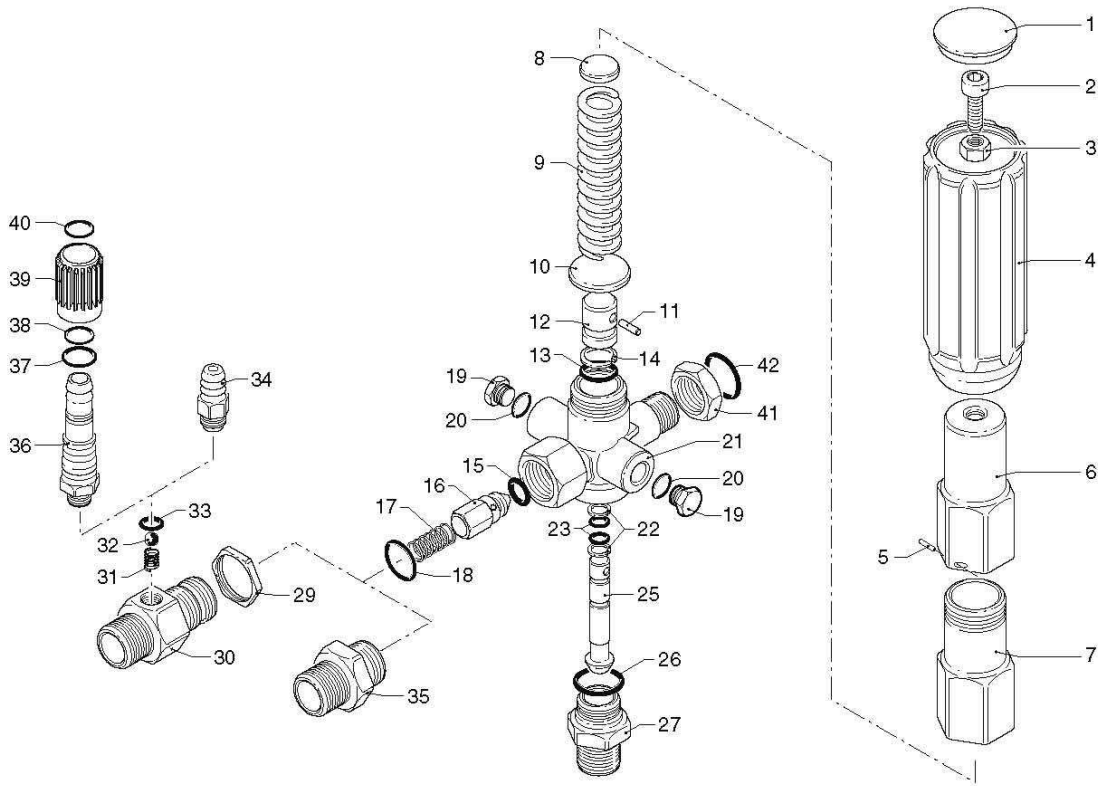
RK MODEL: 15.20H

Pos	Part No	Description	Qty	Pos	Part No	Description	Qty
1	AR960160	O Ring	6	36	AR1343510	Screw	6
2	AR960090	Plug	6	40	AR1380120	0.10mm shim	1+3
2	AR1380740	Plug	6	40	AR1380130	0.20mm shim	1+3
3	AR1389051	Complete Valve	6	40	AR1380530	0.25mm shim	1+3
4	AR880830	O Ring	6	40	AR1382810	0.05mm shim	1+3
5	AR880581	Plug	2	42	AR740290	O ring	3
6	AR820510	O Ring	2	43	AR1980740	3/8 G plug	2
11	AR960110	Support Ring	3	44	AR1260470	Screw	4
12	AR880320	Gasket	3	45	AR1380141	Base	2
13	AR1380090	Piston Guide	3	46	AR1980740	3/8 G Plug	1
14	AR961240	O Ring	3	46	AR1981180	3/8 G Plug	1
15	AR880330	Gasket	3	47	AR180101	O Ring	1
16	AR138130	Seal	3	48	AR820361	Plug	1
17	AR850370	Screw	8	48	AR960870	Plug	1
18	AR1380050	Closed Bearing sup	1	49	AR1381070	Pump head	1
19	AR640030	O Ring	1	50	AR820150	Screw	8
20	AR2280240	Bearing	1	60	AR1380320	Bearing	1
21	AR1382770	Pump Housing	1	61	AR621170	Seal	1
22	AR880130	Oil Cap	1	62	AR1380220	O Ring	1
23	AR962010	Nut	3	63	AR1380210	Shaft cover	1
24	AR962000	Washer	3	66	AR2280180	Hollow Shaft 28mm	1
24	AR1380940	Ceramic Piston	3	66	AR2280170	Hollow Shaft 028mm	1
26	AR1380950	Spacer	3	66	AR2280160	Hollow Shaft 028mm	1
27	AR600180	O ring	3	66	AR2280150	Hollow Shaft 028mm	1
28	AR1380920	Guiding Piston	3	67	AR1380370	El Motor flange	1
29	AR1380060	Piston Pin	3	76	AR620610	Screw	4
30	AR1383050	Aluminium con-rod	3	78	AR1389272	Pump head Ass	1
31	AR1080401	Ring	3	86	AR1260250	Oil Indicator	1
32	AR1381850	Washer	8	87	AR1260430	Snap Ring	1
34	AR1780510	O Ring	1	88	AR1780690	Disc	1
35	AR1789010	Complete cover	1	89	AR1140450	O Ring	1

Valve Kit		Piston Kit		Oil Seal Kit	
ARKIT2864		ARKIT2757		ARKIT1856	
Pos	Qty	Pos	Qty	Pos	Qty
3	6	25	3	16	3
4	6			19	1
				34	1
				61	1
				62	1

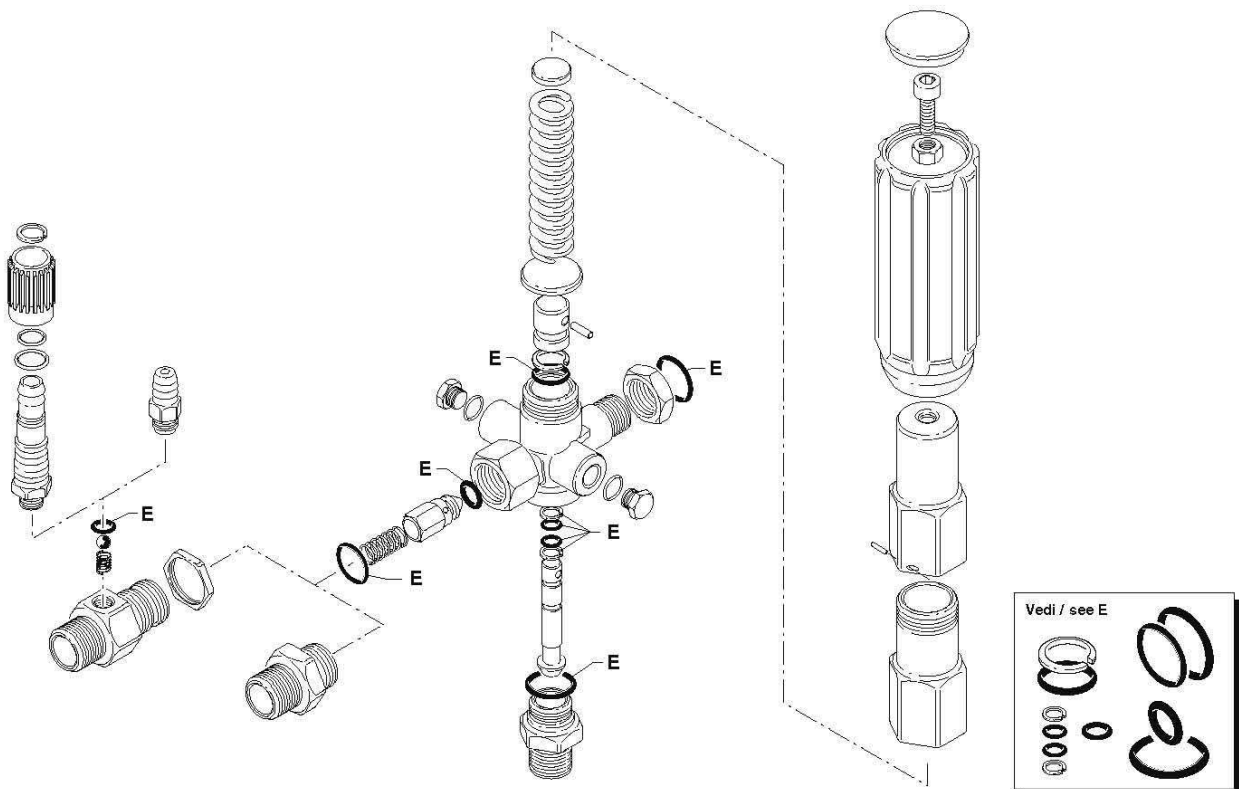
Water Seal		Support Ring	
ARKIT1857		ARKIT1829	
Pos	Qty	Pos	Qty
12	3	11	3
14	3		
15	3		

GYMATIC 3/A



UN002259-1A

KIT RICAMBI / PART KITS



UN002260-1A

GYMATIC 3/A

Pos	Part Number	Description
1	AR1560580	Knob plug
2	AR180030	Screw
3	AR1660210	Nut
4	AR1560400	Handle
5	AR1080070	Pin
6	AR1560420	Adjusting screw
7	AR1560410	Spring guide
8	AR1560440	Plate
9	AR1560350	Spring
10	AR1080610	Spring plate
11	AR1080660	Pin
12	AR1080540	Upper piston
16	AR1560100	Jet
17	AR1560140	Spring
19	AR880581	Plug
20	AR820510	O ring
21	AR1560020	Valve housing
25	AR1560320	Lower piston
27	AR1080831	By pass adjuster
29	AR1560510	Nut
30	AR1560500	Fitting ³ / ₈
30	AR1560530	Fitting ³ / ₈
30	AR1560540	Fitting ³ / ₈
31	AR1560520	Spring
32	AR1250280	Ball
34	AR1560490	Hose tail
35	AR1560110	Adaptor ³ / ₈
35	AR1560111	Adaptor ³ / ₈
36	AR1560650	Hose tail
37	AR800560	O ring
38	AR480560	O ring
39	AR1560670	Detergent reg knob
40	AR1560660	Ring
41	AR1080390	Nut
13,14,15,18,22,23,26,33, 42	ARKIT2610	O Rings