



# Clemas & Co Ltd

Industrial Cleaning Equipment  
Sales - Hire - Service

## TRUVOX WIDE AREA VALET VACUUM CLEANER PARTS MANUAL



Clemas & Co. Unit 5 Ashchurch Business Centre, Alexandra Way, Tewkesbury,  
Gloucestershire, GL20 8NB.

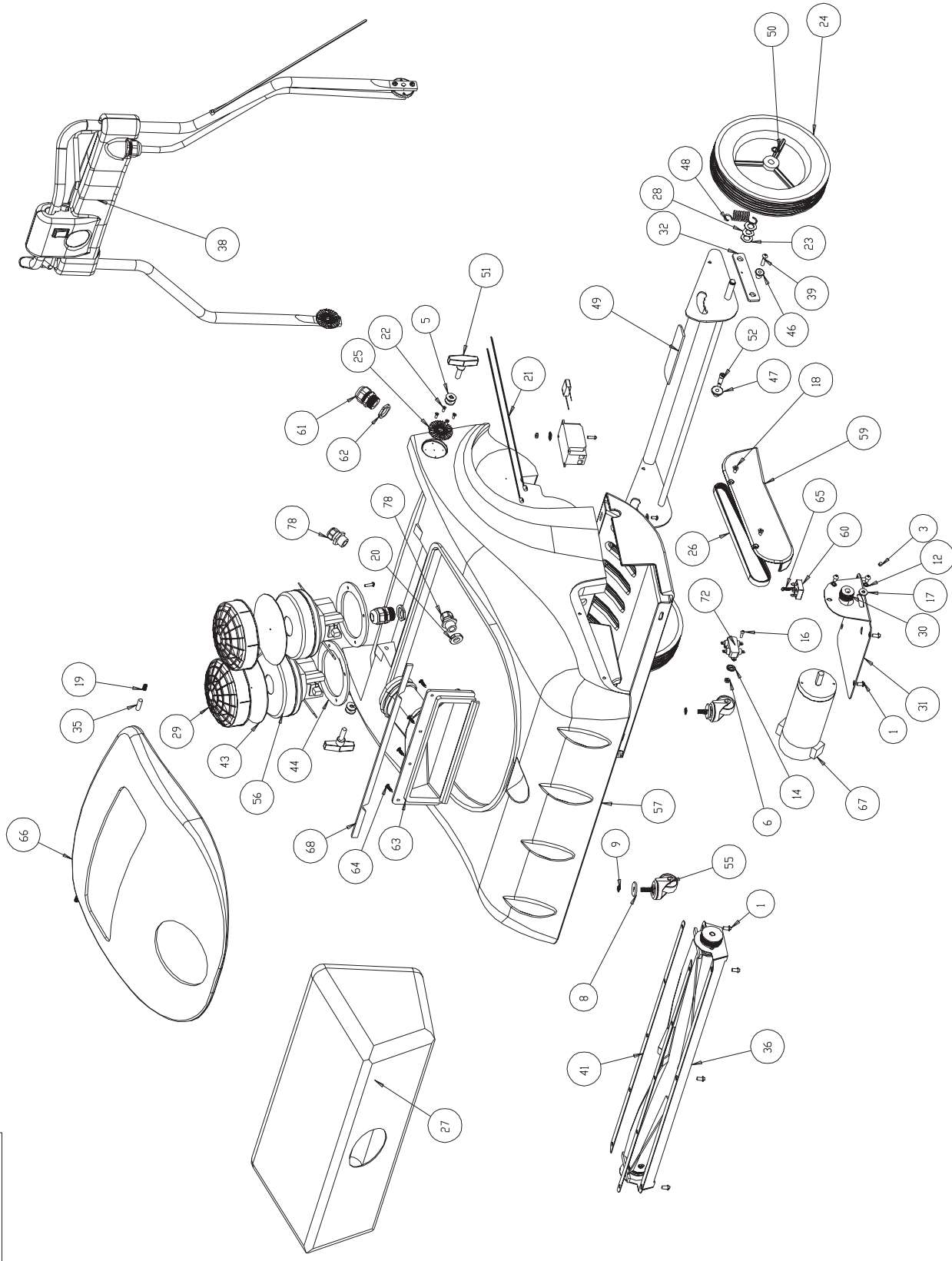
Tel: 01684 850777

Fax: 01684 850707

Email: [info@clemas.co.uk](mailto:info@clemas.co.uk)

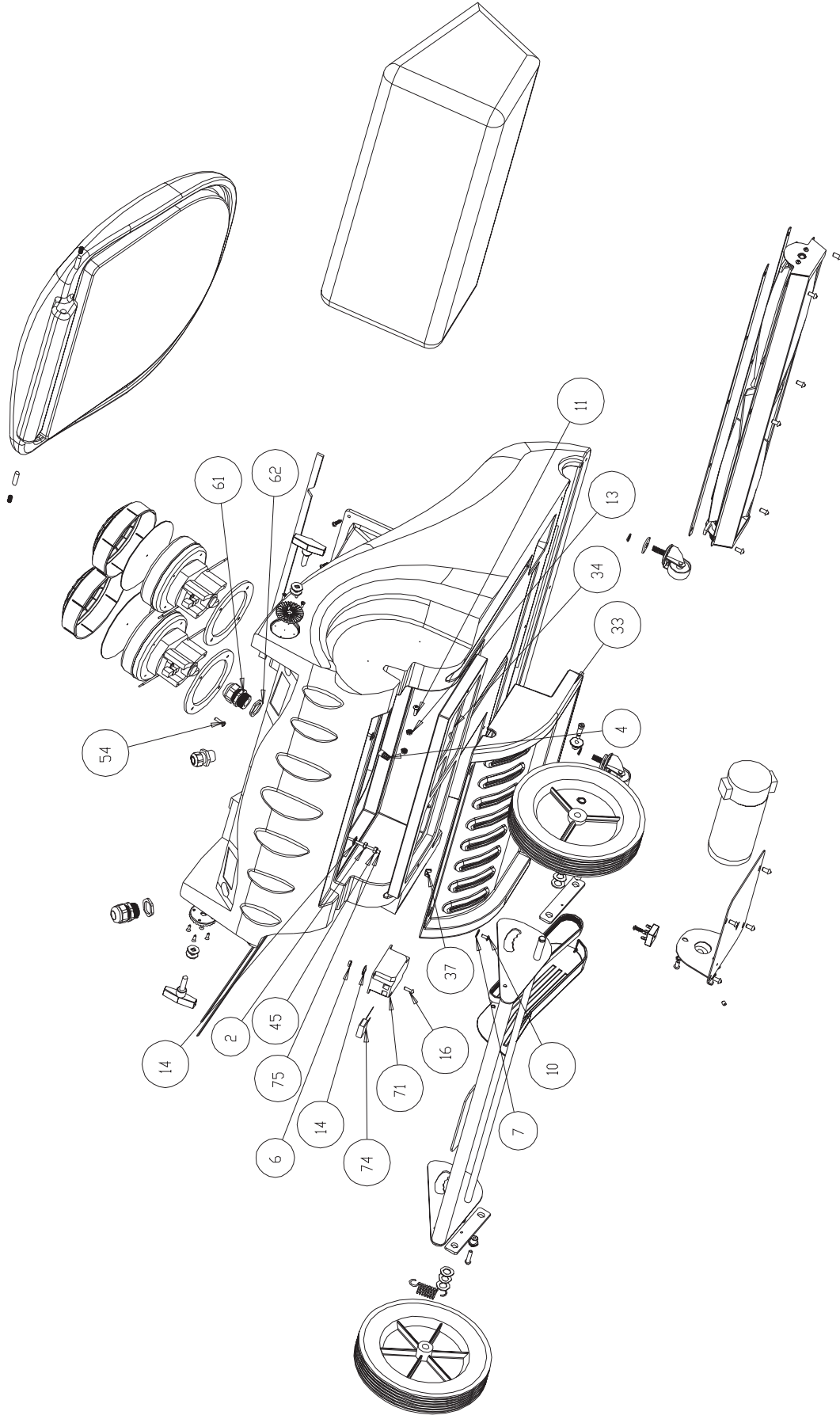
Web: [www.clemas.co.uk](http://www.clemas.co.uk)

PART NUMBER 93031TV



| REV | DATE    | ECN   | DESCRIPTION | BY | MATERIAL | FINISH   | SCALE  | SHEET                 | DESCRIPTION   | REV |
|-----|---------|-------|-------------|----|----------|--|--------|-----------------------|---|-----|
| A   | 1/2008  | 10741 | NEW RELEASE | KM | DWN      | SCALE  | 1 OF 2 | COMMERCIAL FLOOR CARE | Tacony<br>3101 Wichita Court<br>Fort Worth, TX 76140-1755 | B   |
| B   | 4/24/09 | -     | NEW RELEASE | AR | AR       | UNLESS OTHERWISE NOTED ALL TOLERANCES ARE .002 | -      | -                     | WAV, TRUVOX 230V  | A   |
| -   | -       | -     | -           | -  | -        | UNLESS OTHERWISE NOTED ALL TOLERANCES ARE .002 | -      | -                     | 93031TV   | B   |

PART NUMBER **93031TV**



| REV | DATE    | ECN   | DESCRIPTION | BY | MATERIAL | FINISH   | SCALE | SHEET  |
|-----|---------|-------|-------------|----|----------|--|-------|--------|
| A   | 1/2008  | 10741 | NEW RELEASE | KM | DWN KM   | SCALE  | -     | 2 OF 2 |
| B   | 4/24/09 | -     | NEW RELEASE | AR | AR       | UNLESS OTHERWISE NOTED ALL TOLERANCES ARE .002 | -     | -      |
| -   | -       | -     | -           | -  | -        | -  | -     | -      |

|                       |                  |                           |
|-----------------------|------------------|---------------------------|
| <b>Tacony</b>         |                  | 3101 Wichita Court        |
| COMMERCIAL FLOOR CARE |                  | Fort Worth, TX 76140-1755 |
| DESCRIPTION           | WAY, TRUVOX 230V |                           |
| A PART NUMBER         | 93031TV          |                           |
| REV                   | B                |                           |

TACONY CORPORATION CLAIMS PROPRIETARY RIGHTS IN THE MATERIAL DISCLOSED HEREIN. THIS DRAWING IS ISSUED FOR ENGINEERING INFORMATION ONLY. IT MAY NOT BE REPRODUCED, NER MAY THE INFORMATION HEREIN BE USED FOR MANUFACTURING PURPOSES WITHOUT WRITTEN PERMISSION FROM TACONY CORP.

| ITEM | QTY | PART NO.   | DESCRIPTION                                     |
|------|-----|------------|---|
| 1    | 12  | 00086      | SCREW, 1/4"-20 X 1/2"L, RNDHD, PH, ZP           |
| 2    | 2   | 01604      | NUT-FINISHED HEX #10-32                         |
| 3    | 1   | 02011      | SCREW, 1/4"-20 X 5/16"L, SET, ALLEN, CUPPNT, BO |
| 4    | 2   | 02195      | NUT-SCREW CONNECTOR                             |
| 5    | 4   | 02568      | WASHER, 0.375", PLAIN, ZP                       |
| 6    | 4   | 02625      | NUT-HEX. LOCK (KEPS) #10-32                     |
| 7    | 4   | 00851      | WASHER-PLAIN 1/4"                               |
| 8    | 2   | 03321      | WASHER, 0.391", PLAIN, ZP                       |
| 9    | 2   | 03536      | WASHER, 0.375", LOCK, SPLIT, ZP                 |
| 10   | 4   | 03660      | SCREW, #10-24 X 7/16"L, PNHD, PH, ZP            |
| 11   | 1   | 04735      | SCREW-PHILLIPS TRUSS HEAD MACHINE #10-24 X 3/4  |
| 12   | 2   | 07870      | WASHER, 0.25", LOCK, INTERNAL TOOTH, ZP         |
| 13   | 2   | 10892      | NUT-HEX LOCK #10-24                             |
| 14   | 6   | 11385      | WASHER, SEALING #10                             |
| 15   | 2   | 11423      | BAG, POLY, 20" X 24" *                          |
| 16   | 4   | 12896      | SCREW, #10-32 X 5/8"L, RHDHD, PH, ZP            |
| 17   | 1   | 14142      | WASHER, 0.265", PLAIN, ZP                       |
| 18   | 2   | 15162      | SCREW, 1/4"-20 X 1/2"L, FHD, PH, ZP             |
| 19   | 2   | 15357      | SPRING, LATCH RELEASE                           |
| 20   | 2   | 16169      | NUT-CONDUIT                                     |
| 21   | 2   | 18706      | WIRE TIE, 15", BLACK                            |
| 22   | 8   | 19255      | SCREW, #8-32 X 1/2"L, FHD, SOCKET, BO           |
| 23   | 4   | 19616      | WASHER, 0.563", PLAIN, SS                       |
| 24   | 2   | 19797      | WHEEL, 10", PLASTIC HUB                         |
| 25   | 2   | 19798      | BRACKET, GROOVED                                |
| 26   | 1   | 19802      | BELT, BRUSH DRIVE                               |
| 27   | 1   | 19816      | FILTER BAG, CLOTH                               |
| 28   | 2   | 19818      | SPRING, WAHSER, 1/2"                            |
| 29   | 2   | 19834      | FILTER, VAC INTAKE, 58"                         |
| 30   | 1   | 19835      | PULLEY, BRUSH, DRIVE                            |
| 31   | 1   | 19836      | Mount, BRUSH MOTOR                              |
| 32   | 2   | 19841      | ARM, WHEEL PIVOT                                |
| 33   | 1   | 19854      | COVER, EXHAUST                                  |
| 34   | 1   | 19855      | EXHAUST FILTER                                  |
| 35   | 2   | 19864      | PIN, LID HINGE                                  |
| 36   | 1   | 19870      | ASS'Y, BRUSH                                    |
| 37   | 2   | 19975      | NUT-WING (10-32) ZINC PL                        |
| 38   | 1   | 19984_230V | ASSEMBLY, HANDLE, WAV                           |
| 39   | 2   | 19999      | SCREW, 1/4"-20 X 1-1/4", RHDHD, PH, ZP          |
| 40   | 1   | 33039      | CARTON, TRUVOX, W/ LOGO *                       |

\*NOT SHOWN

| ITEM | QTY | PART NO. | DESCRIPTION                                   |
|------|-----|----------|---|
| 41   | 2   | 30077    | GASKET, BRUSH SHOE                            |
| 42   | 1   | 30078    | GASKET, HOOD *                                |
| 43   | 2   | 30088    | FILTER, VAC INLET, 58"                        |
| 44   | 2   | 30089    | GASKET, 58" MOTOR                             |
| 45   | 2   | 30358    | NUT, NYLON LOCK #10-32                        |
| 46   | 2   | 30461    | PIVOT SLEEVE, WHEEL                           |
| 47   | 2   | 30464    | PIVOT SLEEVE, WHEEL                           |
| 48   | 2   | 30466    | SPRING, TENSION                               |
| 49   | 1   | 30491    | ASSY, AXLE WHEEL                              |
| 50   | 2   | 30507    | SNAP RING, 1/2", EXTERNAL                     |
| 51   | 2   | 30558    | KNDB, #3/8-16                                 |
| 52   | 2   | 30617    | SCREW, 1/4"-20, SHCS, SHOULDER 5/16"D X 3/4"L |
| 53   | 1   | 30618    | DECAL, CARPET LEVEL *                         |
| 54   | 8   | 30620    | SCREW, #10-16 X 3/4"L, PNHD, PH, ZP, TAPTITE  |
| 55   | 2   | 31209    | WHEEL, CASTER                                 |
| 56   | 2   | 31306    | VAC-MOTOR 240V                                |
| 57   | 1   | 33036    | CHASSIS                                       |
| 58   | 1   | 33047    | DECAL, NO LOGO, TRUVOX, 3.5 *M5.5", BLK*      |
| 59   | 1   | 33057    | BELT COVER                                    |
| 60   | 1   | 33061    | BRIDGE RECTIFIER, 25 A                        |
| 61   | 2   | 33191    | STRAIN RELIEF, LIQ. TITE                      |
| 62   | 2   | 33192    | NUT, LOCK, STRAIN RELIEF, NI-PLATE            |
| 63   | 1   | 33193    | FILTER CHUTE                                  |
| 64   | 4   | 33195    | SCREW, #10-16 X 3/4"L, PNHD, PH, BO, TAP-AB   |
| 65   | 1   | 33451    | SCREW, #10-24 X 5/8"L, PNHD, PH, ZP, TAP-F    |
| 66   | 1   | 33500    | LID   |
| 67   | 1   | 33501    | BRUSH MOTOR, 230V                             |
| 68   | 1   | 33502    | GASKET, CHUTE                                 |
| 69   | 1   | 33504    | WIRING HARNESS, 230V WAV *                    |
| 70   | 1   | 33505    | 230V POWER CORD 25M *                         |
| 71   | 1   | 33506    | EMI FILTER, POWER                             |
| 72   | 1   | 33508    | EMI FILTER, MOTOR                             |
| 73   | 1   | 33509    | 80632 CUT AT 15" L *                          |
| 74   | 1   | 33628    | CAPACITOR, EMI FILTER                         |
| 75   | 2   | 33630    | SCREW, #10-32 X 3"L                           |
| 76   | 1   | 80632    | NEOPRENE GASKET MATERIAL, 1" X 3/8" *         |
| 77   | 1   | 90701    | FILTER BAG, PAPER *                           |
| 78   | 2   | PD8+     | STRAIN RELIEF, LIQ TITE                       |
| 79   | 1   | X9214+   | LABEL, GROUND SYMBOL *                        |
| 80   | 1   | 15139    | TERMINAL OD FEMALE 14/16 GA *                 |

|     |         |       |             |    |          |  |        |
|-----|---------|-------|-------------|----|----------|--|--------|
| REV | DATE    | EON   | DESCRIPTION | BY | MATERIAL | FINISH   | SHEET  |
| A   | 1/2008  | 10741 | NEW RELEASE | KM | DWN KM   | SCALE  | 3 OF 3 |
| B   | 4/24/09 | -     | NEW RELEASE | AR | AR       | UNLESS OTHERWISE NOTED ALL TOLERANCES ARE .002 |        |
| -   | -       | -     | -           | -  | -        |  |        |

Tacony  
COMMERCIAL FLOOR CARE

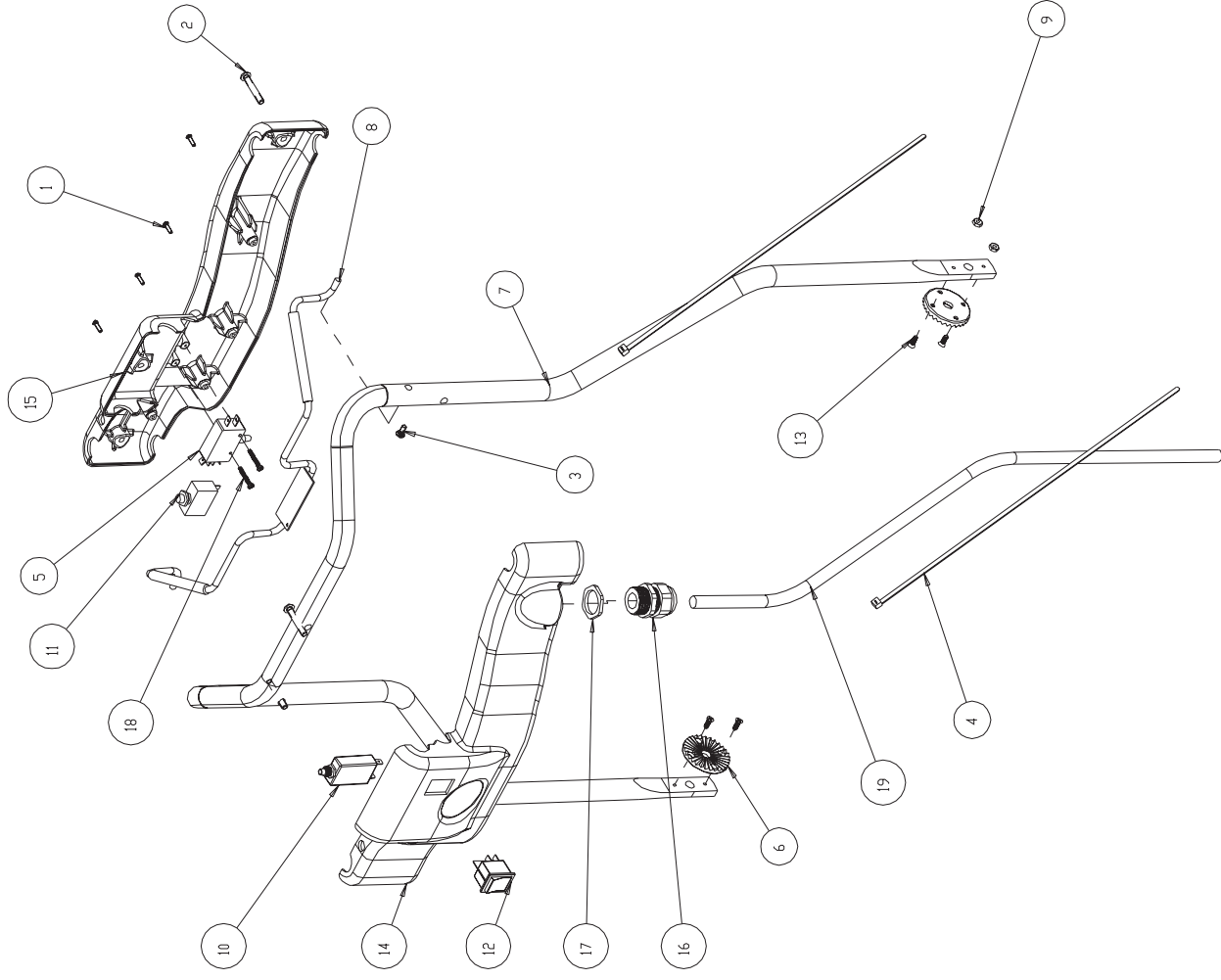
3101 Wichita Court  
Fort Worth, TX 76140-1755

WAV, TRUVOX 230V  
93031TV

A PART NUMBER  
DESCRIPTION  
REV B

**PART NUMBER**  
**19984**

| BILL OF MATERIALS |     | DESCRIPTION |
|-------------------|-----|-------------|
| ITEM              | QTY | PART NUMBER |
| 1                 | 4   | 16924       |
| 2                 | 3   | 01978       |
| 3                 | 1   | 03261       |
| 4                 | 4   | 18706       |
| 5                 | 1   | 19357       |
| 6                 | 2   | 19798       |
| 7                 | 1   | 19829       |
| 8                 | 1   | 19849       |
| 9                 | 4   | 30074       |
| 10                | 1   | 32935       |
| 11                | 1   | 32964       |
| 12                | 1   | 32966       |
| 13                | 4   | 33188       |
| 14                | 1   | 33189       |
| 15                | 1   | 33190       |
| 16                | 1   | 33191       |
| 17                | 1   | 33192       |
| 18                | 2   | 33194       |
| 19                | 1   | 33452       |



| REV | DATE    | EON   | DESCRIPTION | BY | MATERIAL | FINISH   | SCALE | SHEET | 1 OF 1 |
|-----|---------|-------|-------------|----|----------|--|-------|-------|--------|
| A   | 4/08    | 10787 | NEW RELEASE | KM | KM       | SCALE  | -     | -     | -      |
| B   | 4/24/09 | -     | NEW RELEASE | AR | AR       | UNLESS OTHERWISE NOTED ALL TOLERANCES ARE .002 | -     | -     | -      |
| -   | -       | -     | -           | -  | -        | -  | -     | -     | -      |

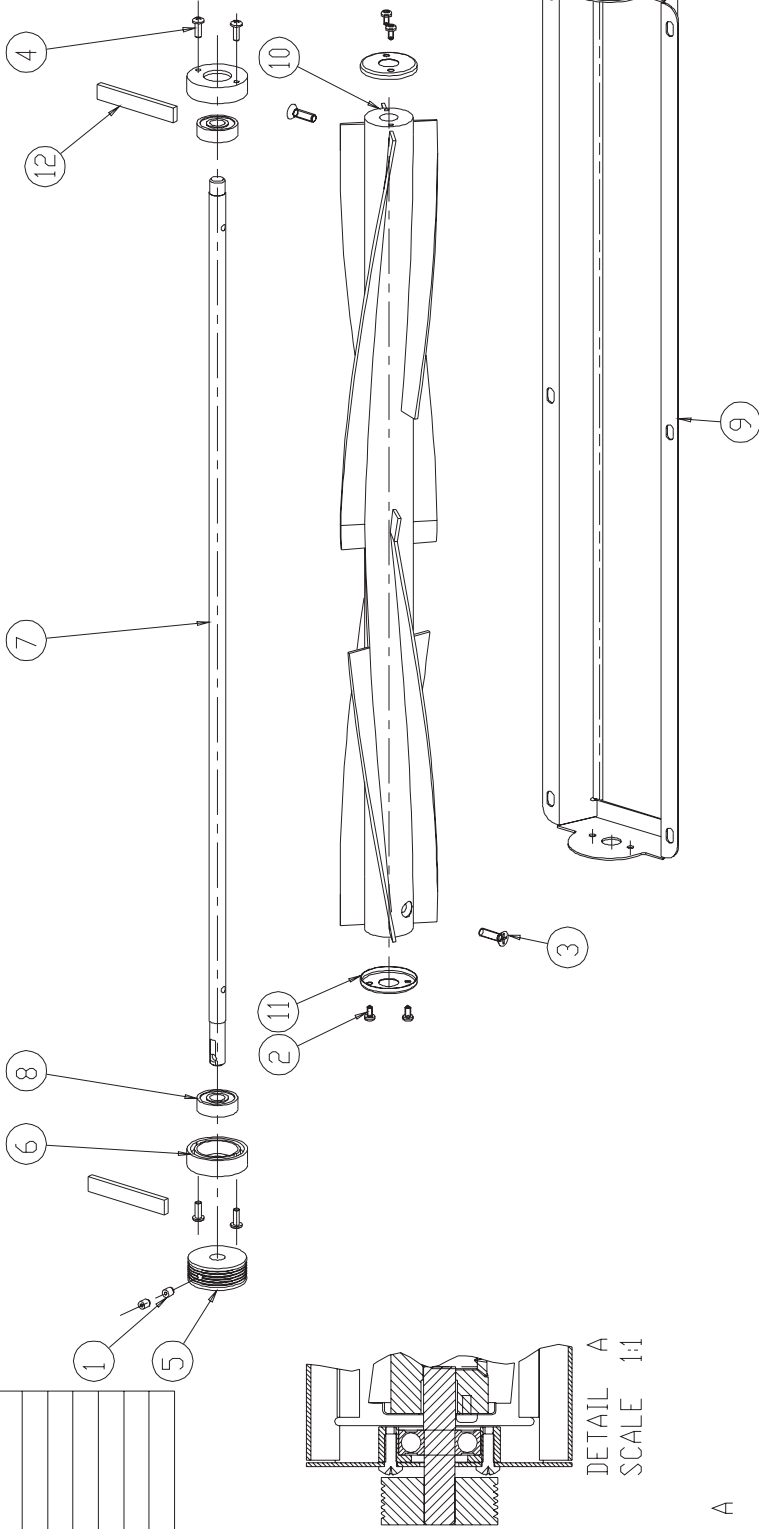
**Tacony**  
COMMERCIAL FLOOR CARE  
3101 Wichita Court  
Fort Worth, TX 76140-1755

DESCRIPTION  
HANDLE, WAV, 230V  
PART NUMBER  
19984  
REV B

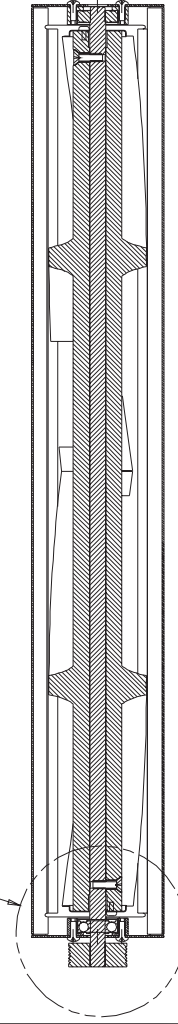
**PART NUMBER**

**19984**

| BILL OF MATERIALS |  |
|-------------------|--|
| ITEM              | DESCRIPTION  |
| 1                 | 2 06011 SCREW, 1/4"-20 X 5/16" L, SET, ALLEN, CUPPNT, BD |
| 2                 | 4 07535 SCREW, #8-18 X 3/8" L, PNWD, PH, ZP, 1AP-AB      |
| 3                 | 2 11276 SCREW, 1/4"-20 X 7/8" L, FHD, PH, ZP             |
| 4                 | 4 16142 SCREW, #10-32 X 1/2" L, PNWD, PH, ZP             |
| 5                 | 1 19804 PULLEY, BRUSH, DRIVEN                            |
| 6                 | 2 19805 BEARING BLOCK                                    |
| 7                 | 1 19808 AXLE, BRUSH                                      |
| 8                 | 2 19809 BEARING, SEALED, 6201-2RS                        |
| 9                 | 1 19810 SHOE, BRUSH MOUNT                                |
| 10                | 1 19811 BRUSH, 28"                                       |
| 11                | 2 19848 THREAD GUARD                                     |
| 12                | 2 32896 GASKET   |



SEE DETAIL A



SECTION A-A

| REV | DATE  | EON   | DESCRIPTION                               | BY  | MATERIAL | FINISH     | SCALE | NTS | SHEET        |
|-----|-------|-------|---|-----|----------|------------|-------|-----|--------------|
| E   | 06/07 | 10741 | REMOVED 19838                             | TNC | DWN OM   | DATE 05/98 | SCALE | NTS | SHEET 1 OF 1 |
| D   | 02/00 | 10297 | REMOVED 19837 & 19806 ADDED 07535 & 19848 | XAZ |          |            |       |     |              |
| C   | 12/99 | 10104 | REMOVED 19846                             | TH  |          |            |       |     |              |

**Tacony**  
COMMERCIAL FLOOR CARE

3101 Wichita Court  
Fort Worth, TX 76140-1755

DESCRIPTION  
ASSY, BRUSH, WAV

PART NUMBER  
19870

REV 0

TACONY CORPORATION CLAIMS PROPRIETARY RIGHTS IN THE MATERIAL DISCLOSED HEREIN. THIS DRAWING IS ISSUED FOR ENGINEERING INFORMATION ONLY. IT MAY NOT BE REPRODUCED, NER MAY THE INFORMATION HEREIN BE USED FOR MANUFACTURING PURPOSES WITHOUT WRITTEN PERMISSION FROM TACONY CORP.