

Clemas & Co Ltd

Industrial Cleaning Equipment
Sales - Hire - Service

VHC200 AIRPOWERED VACUUM CLEANER PARTS MANUAL



Clemas & Co. Unit 5 Ashchurch Business Centre, Alexandra Way, Tewkesbury,
Gloucestershire, GL20 8NB.

Tel: 01684 850777

Fax: 01684 850707

Email: info@clemas.co.uk

Web: www.clemas.co.uk

Table of Contents

VHC200

Car 01	3
Car 02	5
Car 03	7
Container unit	9
Filter group	11
Shaker unit	13
Suction unit	15
Grid group	17
Cyclon kit	19
Liquid ki	21
Recommended Spare Parts	23

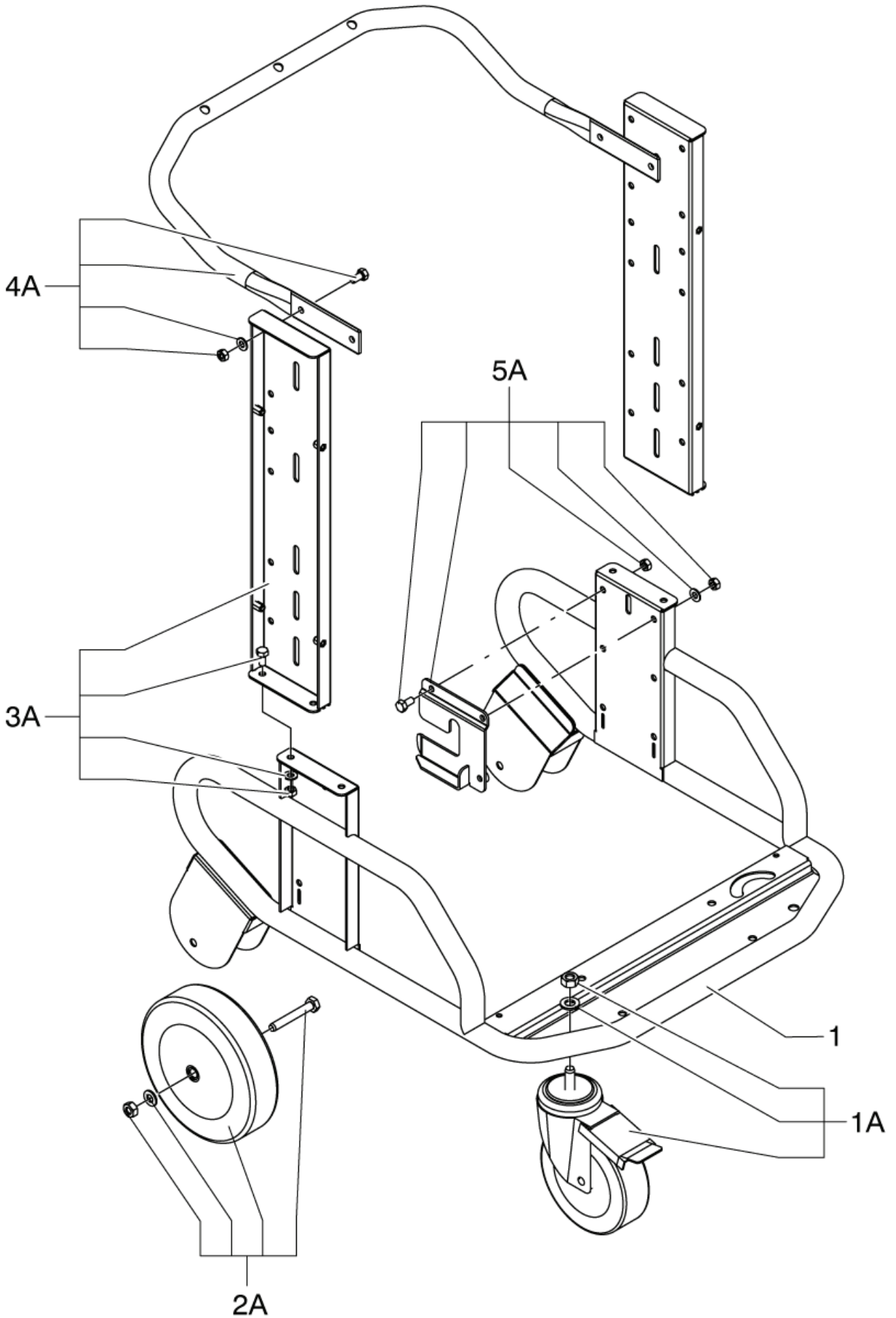
Car 01

VHC200

24-09-2012

Part List ID
VHC20001

3



Car 01

VHC200

24-09-2012

Part List ID
VHC20001

4

Pos	Part no.	Qty	Description
1	4083600611	1	TROLLEY FOR MODEL S2-S3 R7016
1	4083600642	1	TROLLEY MOD.S2-S3-VHC200 SS
1A	40000874	2	KIT REVOLV. CASTOR D150
1A	4089100233	2	D150 REVOLV. CASTOR KIT SS
2A	40000873	1	WHEEL D200 KIT
2A	4089100232	1	D200 WHEEL KIT SS
3A	40000871	2	UPRIGHT KIT
3A	4089100230	2	UPRIGHT KIT SS
4A	40000891	1	HANDLE KIT
4A	4089100235	1	HANDLE KIT SS
5A	40000872	1	BIN RELEASE KIT
5A	4089100231	1	BIN RELEASE KIT SS

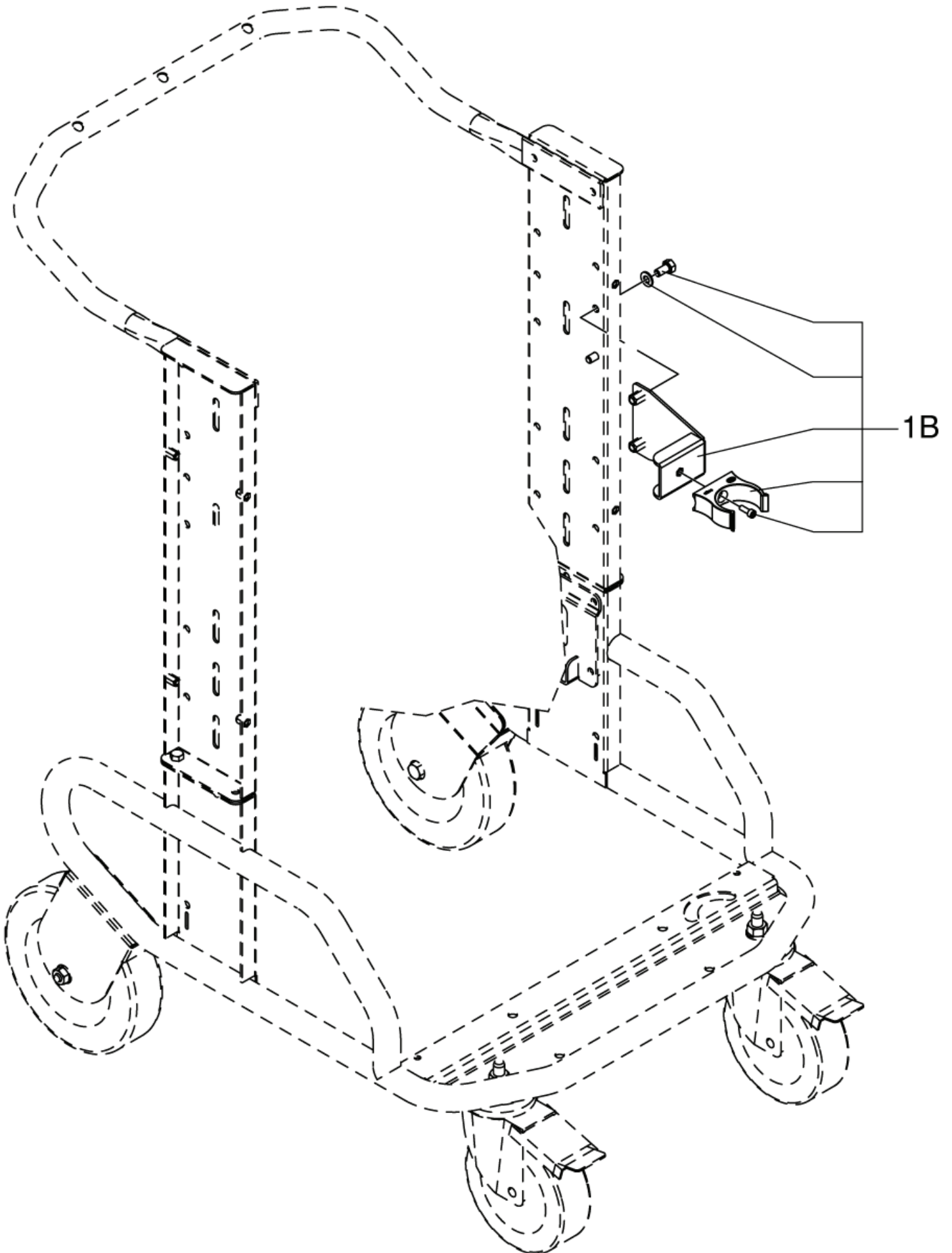
Car 02

VHC200

24-09-2012

Part List ID
VHC20003

5



Car 02

VHC200

24-09-2012

Part List ID
VHC20003

6

Pos	Part no.	Qty	Description
1B	40000856	1	HOSE HOLDER KIT
1B	4089100236	1	HOSE HOLDER KIT SS

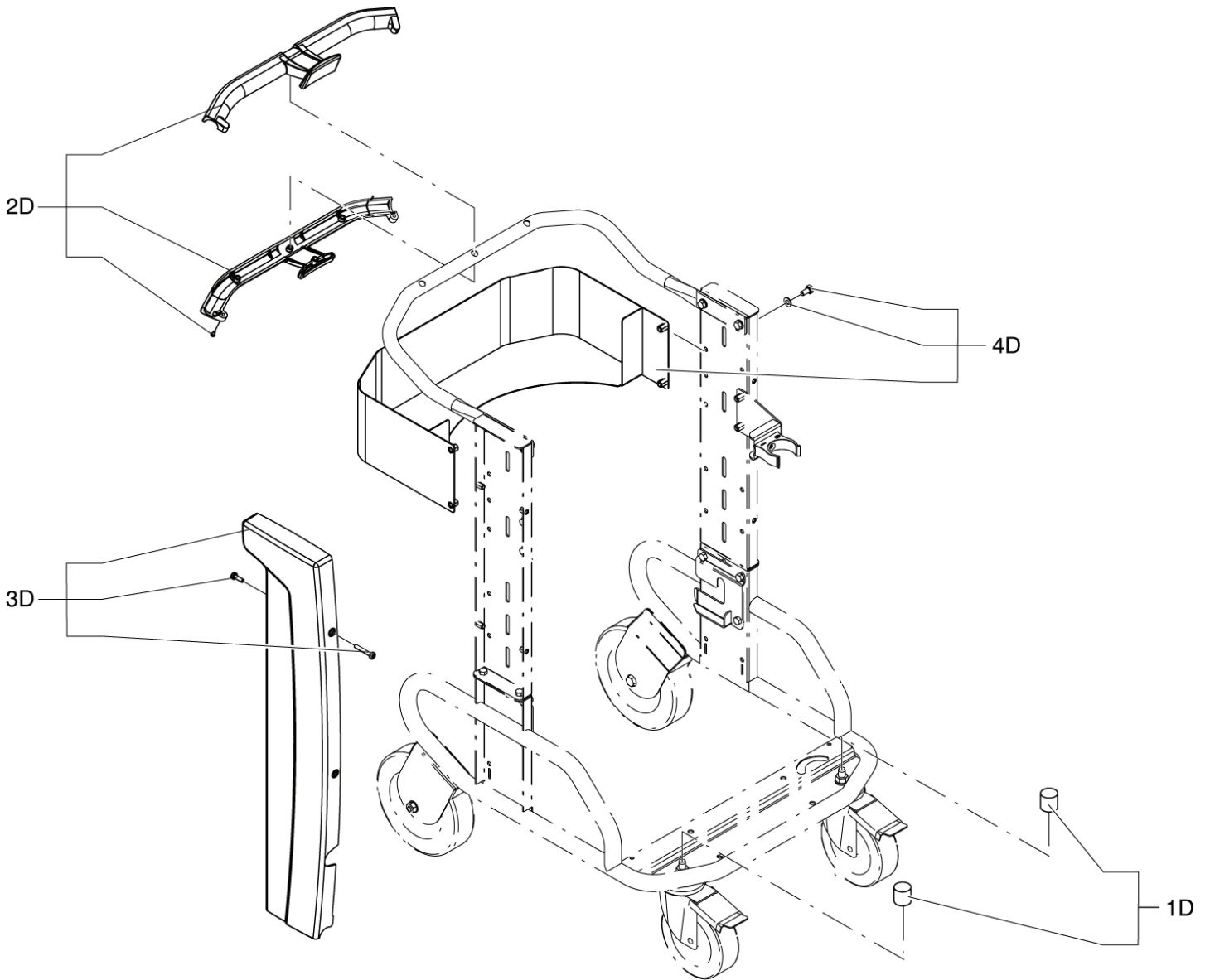
Car 03

VHC200

24-09-2012

Part List ID
VHC20005

7



Car 03

VHC200

24-09-2012

Part List ID
VHC20005

8

Pos	Part no.	Qty	Description
1D	40000870	1	PROTECTION KIT
2D	40000855	1	HANDLE KIT
3D	40000864	1	UPRIGHT PROTECTION KIT
3D	4089100234	1	UPRIGHT PROTECTION KIT SS
4D	40000893	1	COMPARTMENT KIT
4D	4089100237	1	COMPARTMENT KIT SS

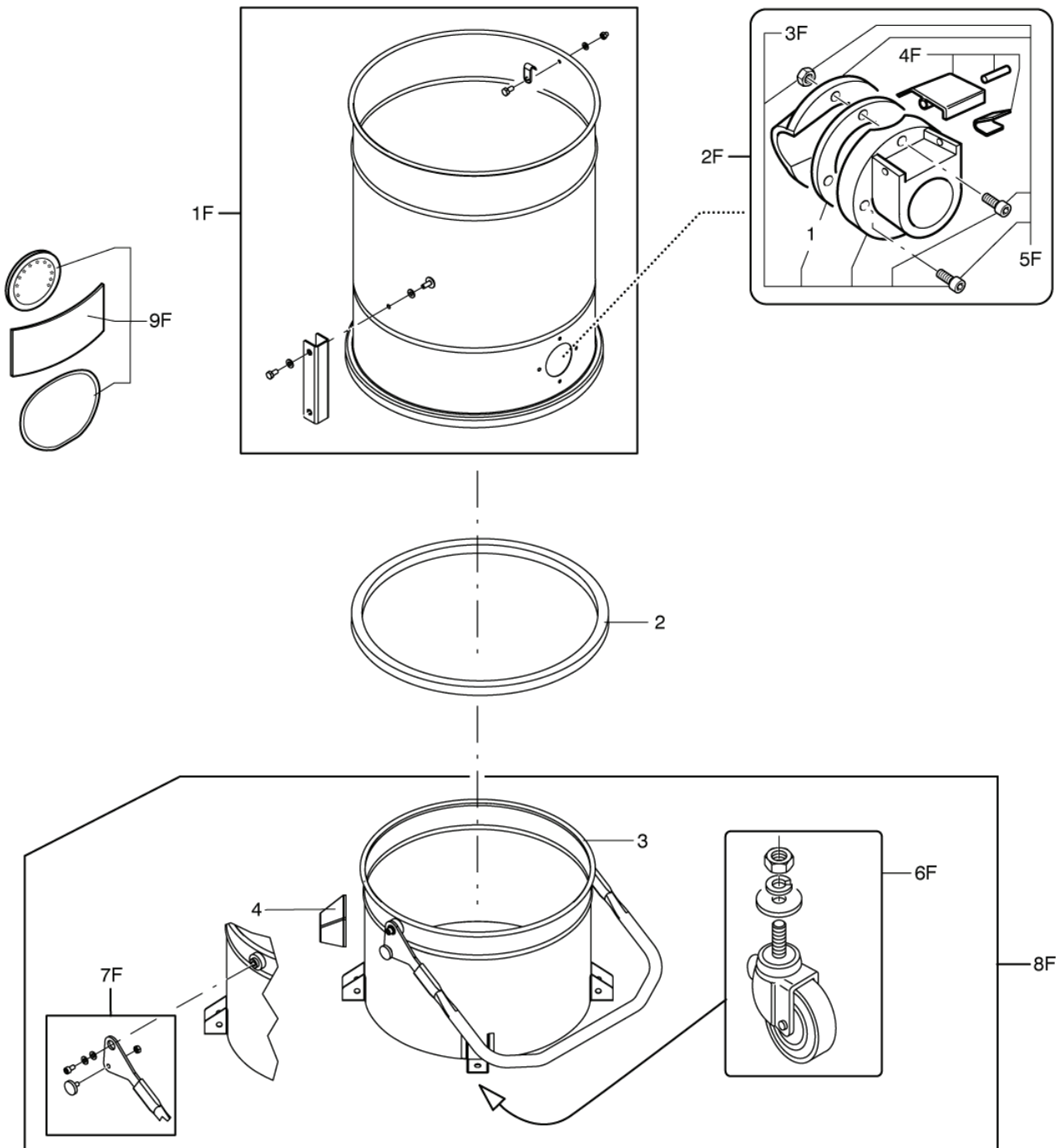
Container unit

VHC200

24-09-2012

Part List ID
VHC20007

9



Container unit

VHC200

24-09-2012

Part List ID
VHC20007

10

Pos	Part no.	Qty	Description
1	Z8 17006	1	INLET SEAL D70
2	40000762	1	SEAL
3	4083000495	1	BIN D460 L100 FOR MODEL S3
3	4083000509	1	BIN D460 L100 IN SS M.S3
4	Z8 17021	4	BUMPER WHEEL HOLDER
1F	40000869	1	FILTER CHAMBER KIT
1F	40000895	1	STAIN LESS FILTER CHAMBER KIT
2F	40000418	1	KIT COMPLETE INLET D70 INOX MOD. A17
2F	40000869	1	FILTER CHAMBER KIT
3F	40000867	1	D70 INLET KIT
3F	4089100210	1	D70 INLET KIT
4F	40000345	1	KIT PUSHBUTTON FOR INLET D70
5F	40000395	1	KIT DEFLECTOR D70
5F	40000416	1	KIT DEFLECTOR D70 INOX MOD.A17
6F	40000419	1	KIT CASTORS FOR CONTAINER
6F	40000484	1	KIT CASTORS FOR CONTAINER INOX
7F	40000879	1	HANDLE KIT L100
7F	4089100229	1	HANDLE KIT L100 SS
8F	4083000497	1	COMP.BIN D460 L100 M.S3
8F	4083000510	1	COMPLETE BIN D460 L100 SS S3
8F	4083000653	1	BIN D460 SS COMPL.XXX L100 M.S3-VHC200
9F	4089100241	1	LABEL KIT

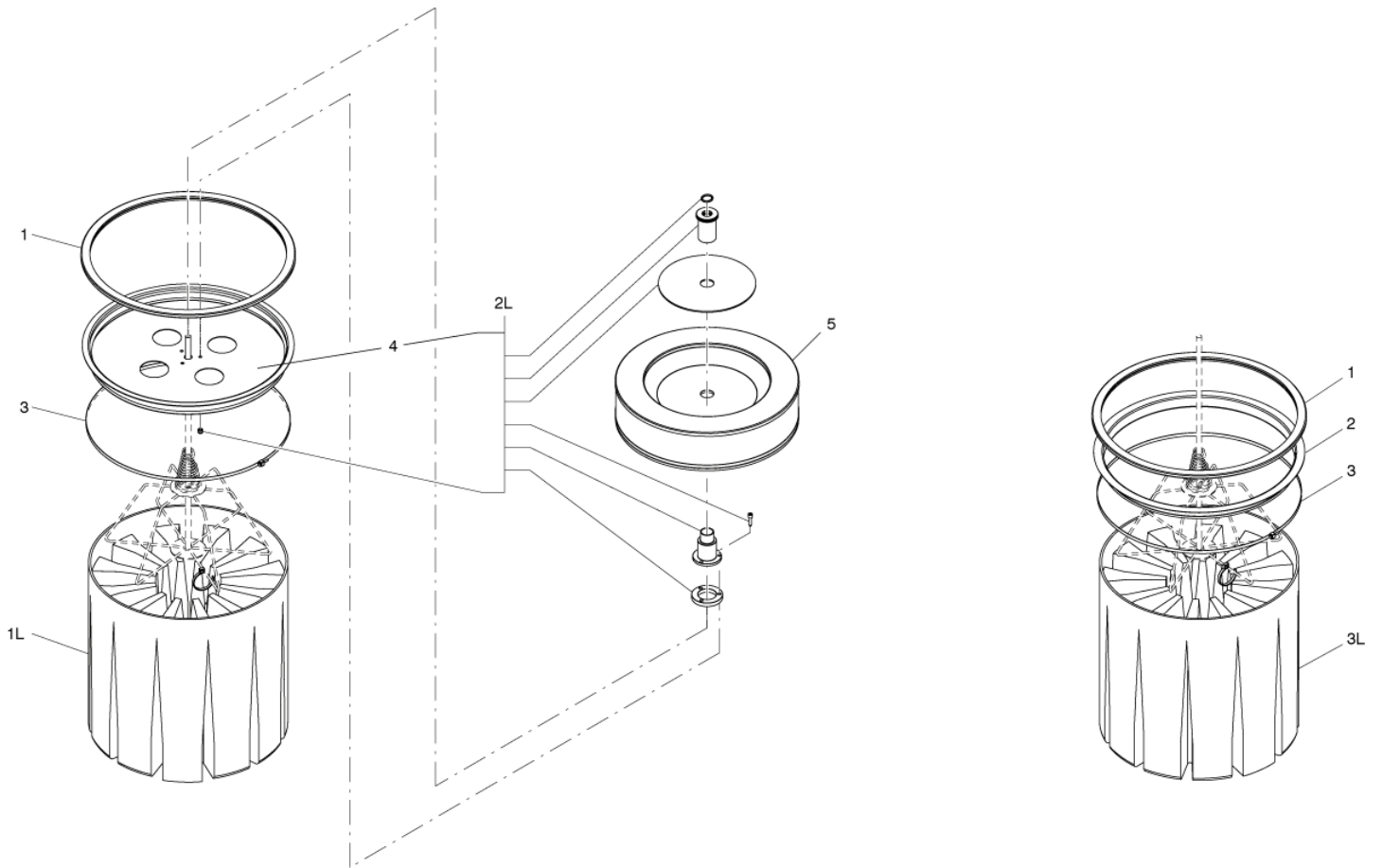
Filter group

VHC200

24-09-2012

Part List ID
VHC20009

11



Filter group

VHC200

24-09-2012

Part List ID
VHC20009

12

Pos	Part no.	Qty	Description
1	Z8 17026	1	FILTER SEAL D460 BLACK
1	Z8 17126	1	FILTER SEAL D460 SILIC.
2	Z8 15003	1	FILTER HOLDER RING D460 FE
2	Z8 15010	1	FILTER HOLDER RING D460 INOX
3	Z8 18079	1	FILTER BLOCK TIE D460
4	4081500200	1	ABSOLUTE FILTER DISC 3306 FE
4	4081500202	1	ABSOLUTE FILTER DISC 3306 SS
5	4081700935	1	ABSOLUTE FILTER 415X100 S2S-S3
1L	40000338	1	KIT STAR FILTER D460 L CLASS
1L	40000492	1	STAR FILTER KIT D460 M CLASS
2L	40000967	1	ABSOLUTE FILTER SUPPORT KIT
2L	4089100226	1	ABSOLUTE FILTER SUPPORT KIT SS
3L	40000338	1	KIT STAR FILTER D460 L CLASS
3L	40000492	1	STAR FILTER KIT D460 M CLASS

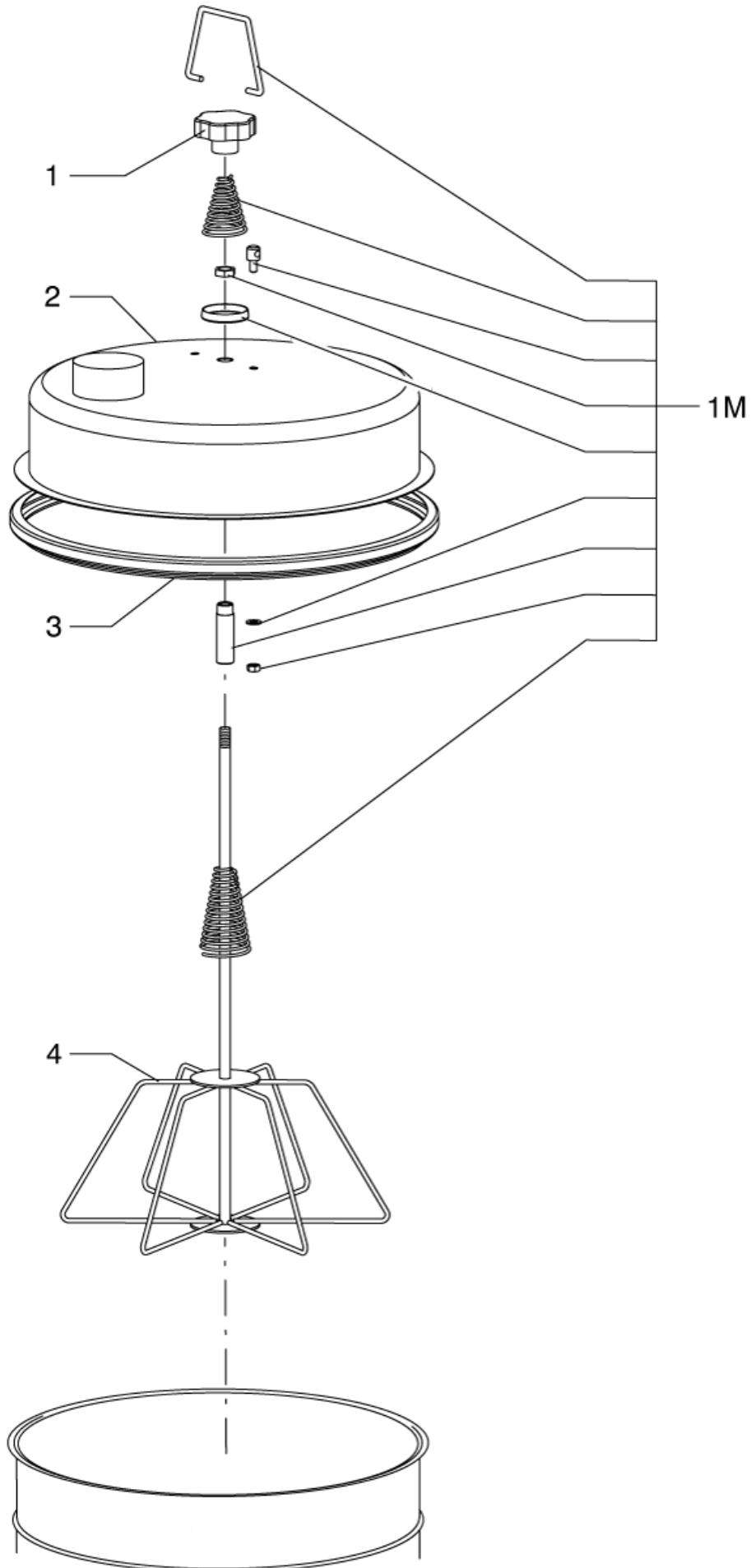
Shaker unit

VHC200

24-09-2012

Part List ID
VHC20011

13



Shaker unit

VHC200

24-09-2012

Part List ID
VHC20011

14

Pos	Part no.	Qty	Description
1	Z8 40027	1	KNOB D70 M12 NO HOLE
2	4083100995	1	CAP. D460 FE RAL 7001 MOD.VHC200
2	4083100996	1	CAP. D460 SS MOD.VHC200
3	Z8 36191	1	BAND LOCK D.460
3	Z8 36355	1	BAND LOCK D460 INOX 3308 COMP. W.BRACKET
4	4083300357	1	FILTER SHAKER CAGE D460 MOD.SOL SS
4	Z8 33324	1	STAR CAGE D460 FE x SOL
1M	40000313	1	KIT FILTER SHAKER FE
1M	40000314	1	KIT FILTER SHAKER INOX

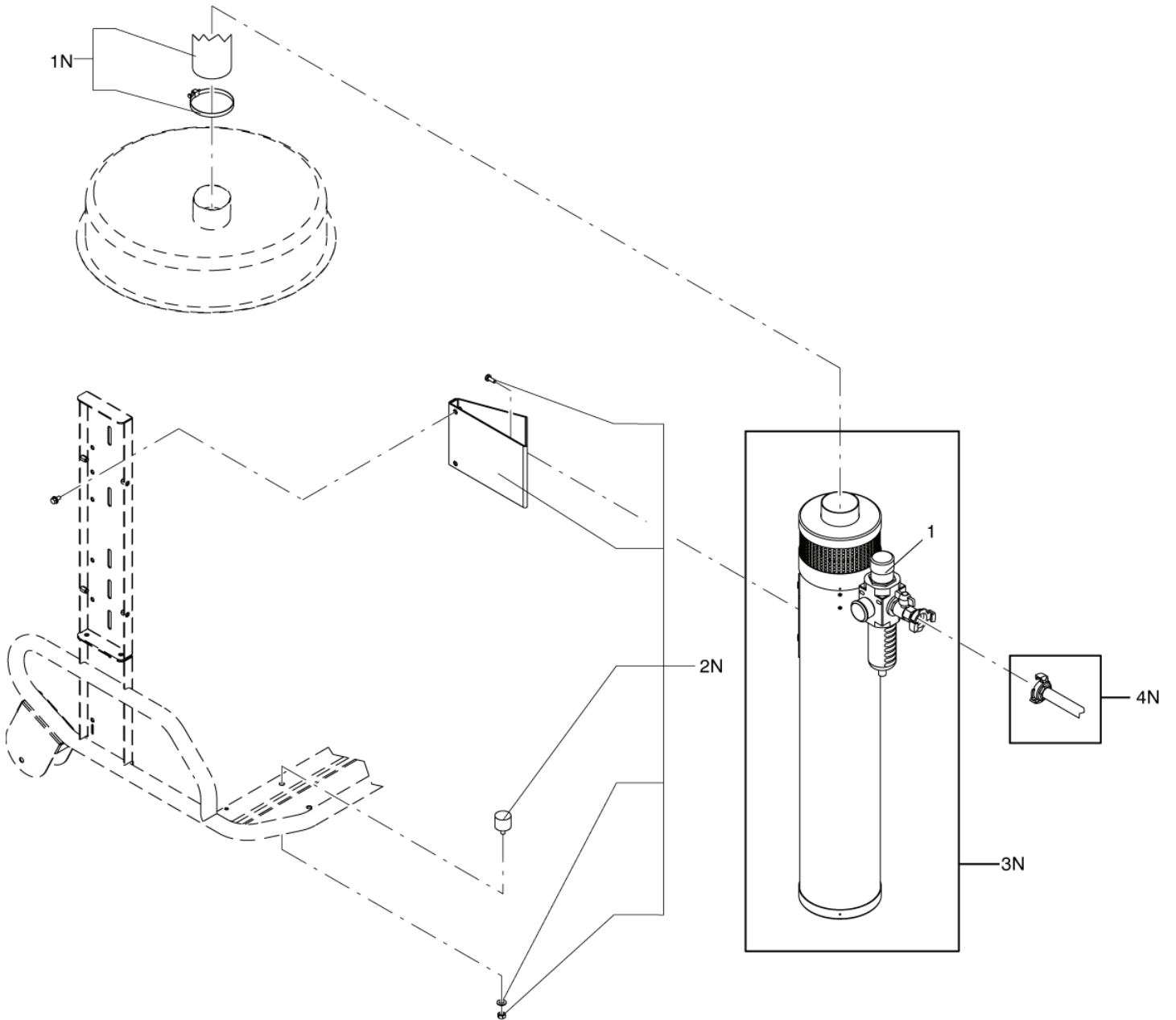
Suction unit

VHC200

24-09-2012

Part List ID
VHC20013

15



Suction unit

VHC200

24-09-2012

Part List ID
VHC20013

16

Pos	Part no.	Qty	Description
1	4084001139	1	PRESSURE REGULATOR SILENCER M.VHC200
1N	40000592	1	KIT SUCTION TUBE
1N	4089100238	1	L100 SUCTION HOSE KIT
2N	4089100240	1	VENTURI HOSE FIXING KIT
3N	4083200699	1	VENTURI PIPE D150 COM.FE MOD.VHC200
4N	4089100239	1	HOSE FEEDER KIT

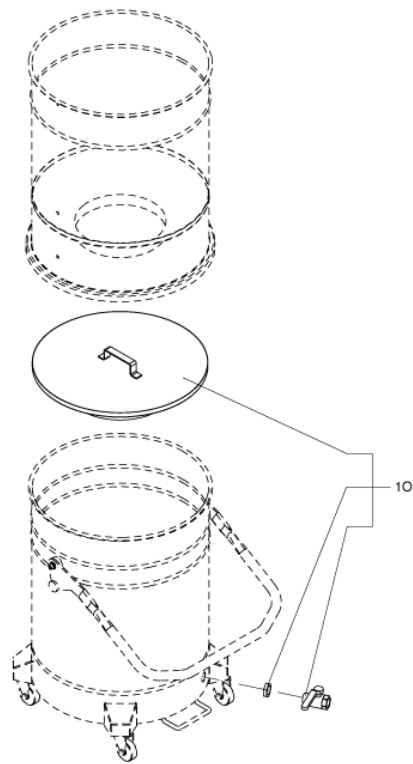
Grid group

VHC200

24-09-2012

Part List ID
VHC20015

17



Grid group

VHC200

24-09-2012

Part List ID
VHC20015

18

Pos	Part no.	Qty	Description
10	Z5 60036	1	GRID AND VALVE D460 INOX COMPLETE

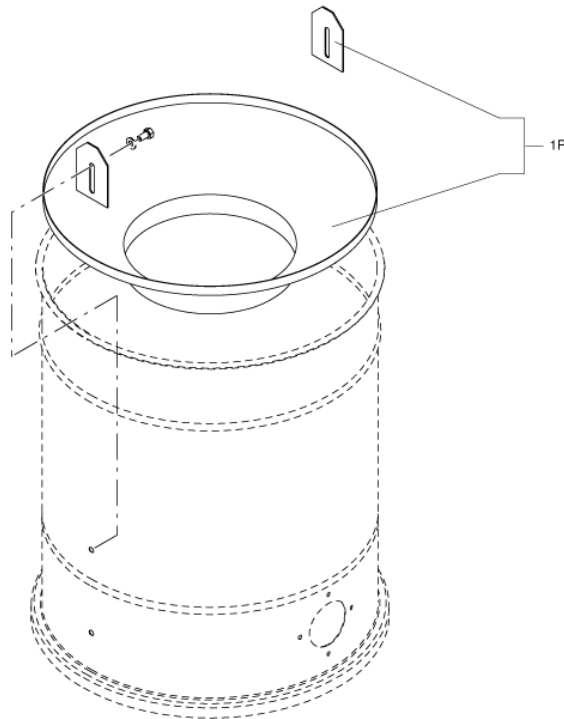
Cyclon kit

VHC200

24-09-2012

Part List ID
VHC20017

19



Cyclon kit

VHC200

24-09-2012

Part List ID
VHC20017

20

Pos	Part no.	Qty	Description
1P	Z5 60109	1	REMOVABLE CYCLONE D460 FE COMPLETE BIG

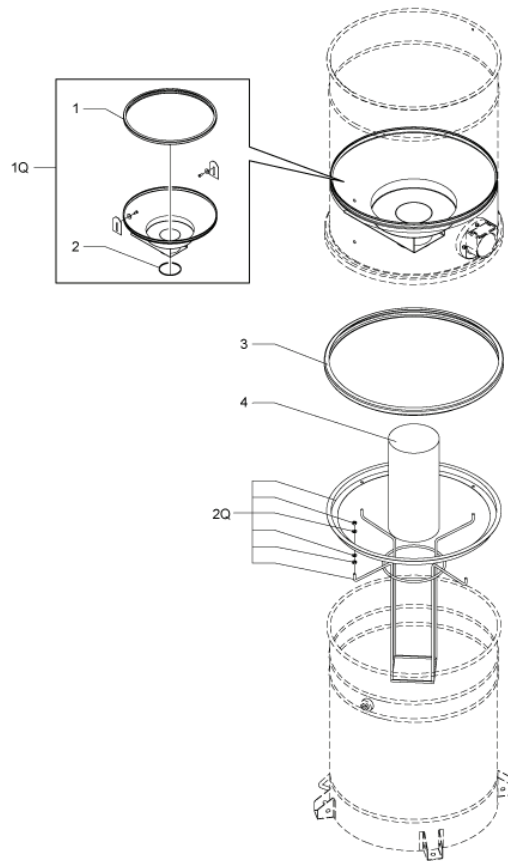
Liquid ki

VHC200

24-09-2012

Part List ID
VHC20019

21



Liquid ki

VHC200

24-09-2012

Part List ID
VHC20019

22

Pos	Part no.	Qty	Description
1	4081700964	1	D6 SEAL GASKET M.WSS -WST
2	4089100012	1	SEAL
3	4089100013	1	SEAL
4	Z8 32144	1	FLOATER D140x300 INOX
1Q	4089100227	1	CYCLON KIT FOR FLOAT SS
2Q	4089100228	1	FLOAT SUPPORT KIT SS

Recommended Spare Parts

VHC200

24-09-2012

Part List ID
VHC20021

24

Pos	Part no.	Qty	Description	
1	40000338	1	KIT STAR FILTER D460 L CLASS	ORDINARY MAINTENANCE
2	40000492	1	STAR FILTER KIT D460 M CLASS	ORDINARY MAINTENANCE
3	Z8 15003	1	FILTER HOLDER RING D460 FE	ORDINARY MAINTENANCE
4	Z8 15010	1	FILTER HOLDER RING D460 INOX	ORDINARY MAINTENANCE
5	Z8 17026	1	FILTER SEAL D460 BLACK	ORDINARY MAINTENANCE
6	Z8 17126	1	FILTER SEAL D460 SILIC.	ORDINARY MAINTENANCE
7	Z8 18079	1	FILTER BLOCK TIE D460	ORDINARY MAINTENANCE
8	4081700935	1	ABSOLUTE FILTER 415X100 S2S-S3	ORDINARY MAINTENANCE
9	40000395	1	KIT DEFLECTOR D70	EXTRAORDINARY MAINTENANCE
10	40000416	1	KIT DEFLECTOR D70 INOX MOD.A17	EXTRAORDINARY MAINTENANCE
11	40000867	1	D70 INLET KIT	EXTRAORDINARY MAINTENANCE
12	40000418	1	KIT COMPLETE INLET D70 INOX MOD. A17	EXTRAORDINARY MAINTENANCE
13	40000345	1	KIT PUSHBUTTON FOR INLET D70	EXTRAORDINARY MAINTENANCE
14	40000419	1	KIT CASTORS FOR CONTAINER	EXTRAORDINARY MAINTENANCE
15	40000484	1	KIT CASTORS FOR CONTAINER INOX	EXTRAORDINARY MAINTENANCE
16	40000873	1	WHEEL D200 KIT	EXTRAORDINARY MAINTENANCE
17	40000874	1	KIT REVOLV. CASTOR D150	EXTRAORDINARY MAINTENANCE
18	Z5 60109	1	REMOVABLE CYCLONE D460 FE COMPLETE BIG	EXTRAORDINARY MAINTENANCE
19	Z5 60036	1	GRID AND VALVE D460 INOX COMPLETE	EXTRAORDINARY MAINTENANCE
20	Z8 33324	1	STAR CAGE D460 FE x SOL	EXTRAORDINARY MAINTENANCE
21	4083300357	1	FILTER SHAKER CAGE D460 MOD.SOL SS	EXTRAORDINARY MAINTENANCE
22	4089100239	1	HOSE FEEDER KIT	