

Clemas & Co Ltd

Industrial Cleaning Equipment
Sales - Hire - Service

TRUVOX WHOLE ROOM DRYER PARTS MANUAL

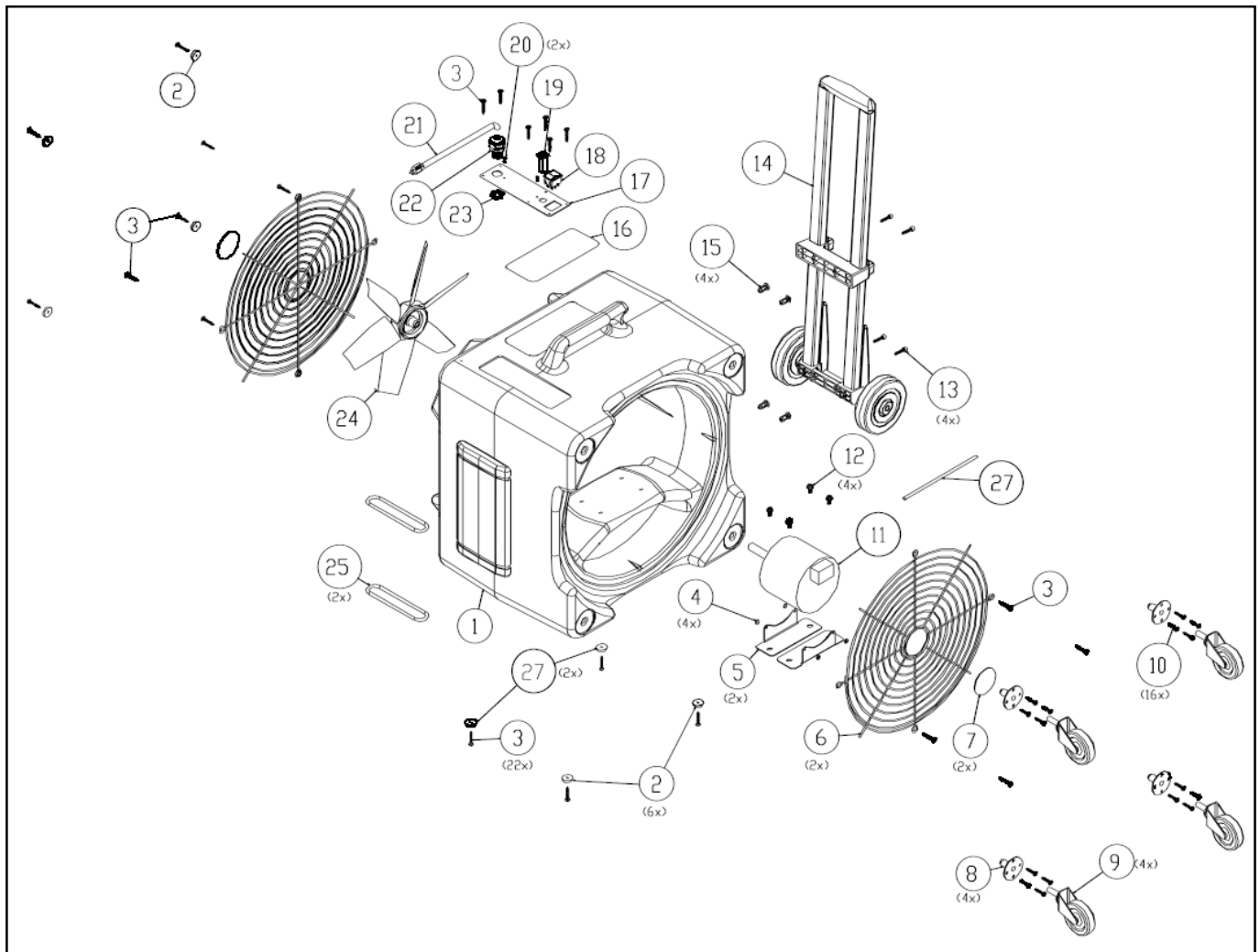


Clemas & Co. Unit 5 Ashchurch Business Centre, Alexandra Way, Tewkesbury,
Gloucestershire, GL20 8NB.

Tel: 01684 850777 **Fax:** 01684 850707

Email: info@clemas.co.uk **Web:** www.clemas.co.uk

Whole Room Dryer parts list Issue B



Ref	Part no	Description	Ref	Part no	Description
01	X9180	Housing, Whole Room Dryer	15	X8848	Jacknut, 1/ 4 -20, Steel, #8LJN
02	PD3C	Foot, Black Rubber, Short	16	X9190	WRD-TV
03	X9098	Screw, #10 x 1", A Point, Pan Head	17	72721B	Switch Panel
04	X8260	Nut, 8-32 Lock, w/ Nylon Insert	18	X9048	Switch rocker
05	72719A	Bracket, Whole Room Dryer Motor	19	X9262	Circuit Breaker, 5A
06	X9183	Grill, Whole Room Dryer	20	X9188	Screw, 6-32 x 3/8" Black MS
07	Not Applicable		21	X8926	6m 115v cord set
08	X9195	Castor Receiver		PD7E	6m 230v cord set
09	X9240	Wheel and Socket		PD7E/EURO	6m 230v cord set euro plug
10	72020A	Screw, Self-Tap, PHMS, Zinc, 12 x 1"	22	PD8	Strain relief, 1/2" NPT
11	X9181	Motor, 115v ac, 190w – Pole	23	X8008N	Nut, Lock, 1/ 2" Steel Conduit
	X9181-2	Motor, 230v ac, 190w 4 pole	24	X9182-6	Fan Blade Assembly
12	X8209S	Screw, 1/ 4 -20 x 1/ 2", Serrated Hex	25	F631	Round Belt
13	X9065	Screw, Hex Socket Cap, 1/ 4 -20 x1",	26	72470A	Heat Shrink, Blk, 1/ 2", Flexible Polyolefin
14	X8990N	Handle / Wheel Assembly	27	PD3B	Foot, Black Rubber, Tall