

## Technical Specifications

### **Tempest 1 / Auto / Cabinet Washer 240V ( Blue Cable)**

<b>Pump</b>	<b>XT11.11</b>		<b>Boiler</b>	
Pump pressure	100 bar	1500psi	Fuel type	Kerosene/gas oil/derv
Flow rate	111pm	2.45gpm	Pressure	7 bar 110psi
Max by-pass setting	110 bar	1650psi	Nozzle	1.5 US galls
Min pressure setting	50 bar	750psi	Nozzle make	Monarch 60°R or AR Danfoss 60° S
H.P nozzle	25045		Electrode gap	6mm ± 1mm
Motor power	2.2KW(MTR00100)		Ignition Transformer	70 Watts
Pump oil	10W40		Fuel pump	50 Watts
Unloader valve	ARMM4B/TSS		Fan motor	75 Watts
Noise			Fuse001	1 amp semi delay 20mm glass
Valve Kit	ARKIT1864		Oil Seal Kit	ARKIT1872
Seal Kit	ARKIT1874		Piston Kit	ARKIT2629

**Generator Size required 6KVA**

### **Tempest 3 / Auto 110V (Yellow Cable)**

<b>Pump</b>	<b>XT11.11</b>		<b>Boiler</b>	
Pump pressure	100 bar	1500psi	Fuel type	Kerosene/gas oil/derv
Flow rate	11 lpm	2.45gpm	Pressure	7 bar 100psi
Max by-pass setting	110 bar	1650psi	Nozzle	1.5 US galls
Min pressure setting	50 bar	750psi	Nozzle make	Monarch 60°R or AR Danfoss 60° S
H.P nozzle	25045		Electrode gap	6mm ± 1mm
Motor power	2.2KW(MTR00301)		Ignition Transformer	70 Watts
Pump oil	10W40		Fuel pump	50 Watts
Unloader valve	ARMM4B/TSS		Fan motor	75 Watts
Noise			Fuse002	3 amp semi delay 20mm glass
Valve Kit	ARKIT1864		Oil Seal Kit	ARKIT1872
Water Seal Kit	ARKIT1874		Piston Seal Kit	ARKIT2629

**Generator size required 8KVA**

### **Tempest 4 / Auto /Cabinet Washer 415V (Black Cable) ( From the 03/07/12 ARGM3 unloader)**

<b>Pump</b>	<b>RK15.20H</b>		<b>Boiler</b>	
Pump pressure	200bar	2900psi	Fuel Type	kerosene/gas oil/ derv
Flow rate	151pm		Pressure	7 Bar 110psi
Max by-pass setting	200bar	2900psi	Nozzle	1.75 US galls
Min pressure setting	50bar	750psi	Nozzle make	Monarch 60°R or AR Danfoss 60° S
H P Nozzle	2505		Electrode gap	6mm + 1mm
Motor power	7.5KW(MTR00220)		Ignition Transformer	70watts
Pump oil	10W40		Fuel pump	50watts
Old Unloader Valve	ARMM4B/TSS		New Unloader Valve	ARGM3
			fan Motor	75watts
Noise			Fuse001	1amp semi delay 20mm
glassValve Kit	ARKIT1828		Water Seal Kit	ARKIT1857
Oil Seal Kit	ARKIT1856		Piston	ARKIT2757

**Tempest Cabinets fitted with low water and low fuel cut out sensors**

**Service Part Numbers for Tempest 1 & 3**

ARKIT1874	Seal Kit
ARKIT2812	Seals for Unloader
ARKIT1864	Valve Kit
AR1271160	Pistons
AR1980200	Unloader Seat
DB000010	Fuel Nozzle
DB000110	Electrodes
DB00250	Fuel Filter
N26001/25045	Nozzle
DEM10115	Detergent Pipe
AR1320351	Piston Guides

**Tempest 4 Service Kit**

ARKIT1857	Seal Kit
ARKIT2611	Valves
AR1560320	Pistons
AR1560051	Valve Tube
ARKIT1828	H P Valves
DB000015	Fuel Nozzle
DB000110	Electrodes
DB00250	Fuel Filter
N26001/2505	Nozzle
DEM10115	Detergent Pipe
AR1380090	Seal Carriers

--	--

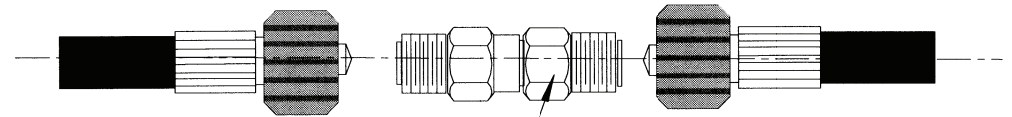
# High Pressure Hoses



Tempest - all Models  
Flow Switch to Boiler Inlet  
HH00022 - 200mm Long

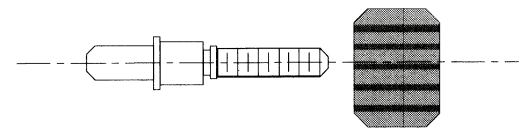


Tempest - all Models  
Boiler Outlet to Burst Disc  
HH00021 - 800mm Long



High Pressure Hoses  
9 Metre HH00030MVG  
15 Metre HH00050MVG  
30 Metre HH00100MVG

Hose Joiner - MV00500

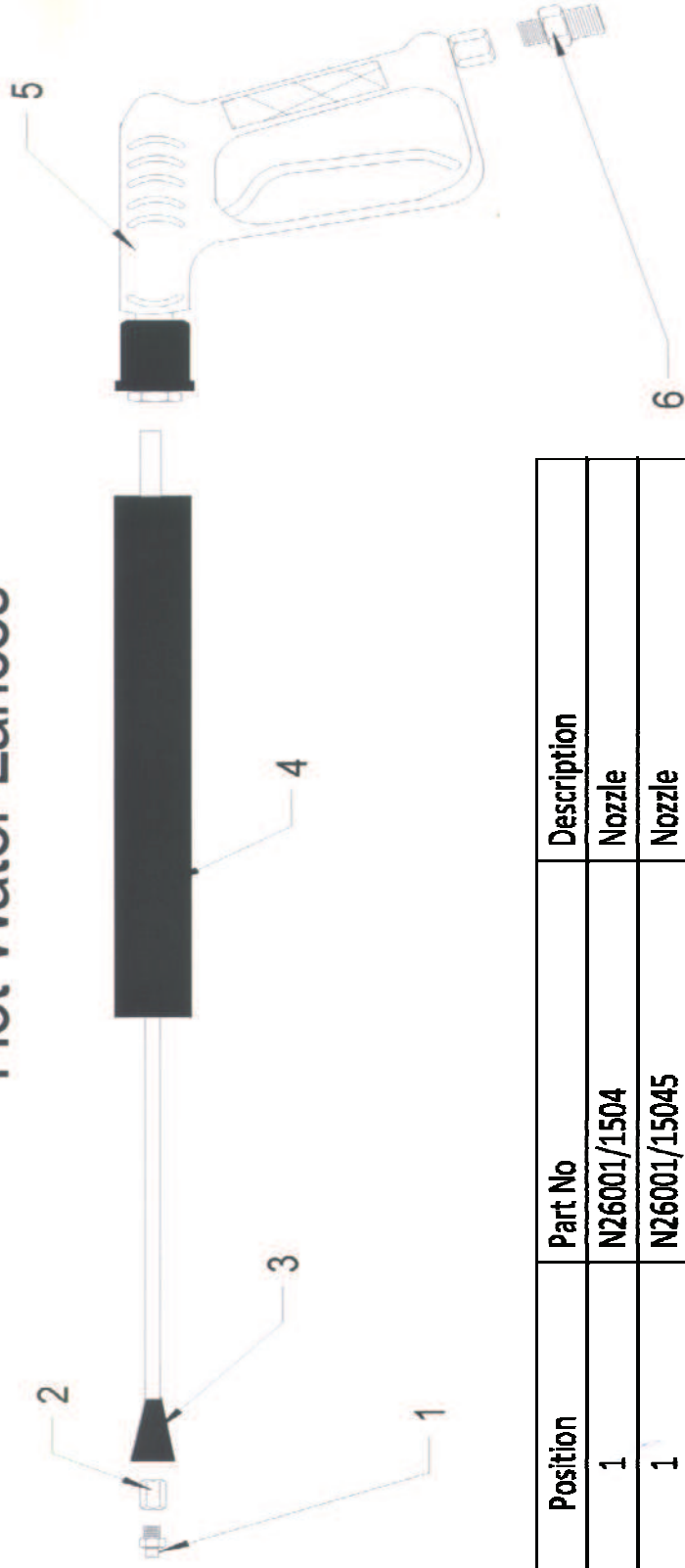


Hose Insert and Nut MV00490

HH0049 3/8 Ferrules (R1A)

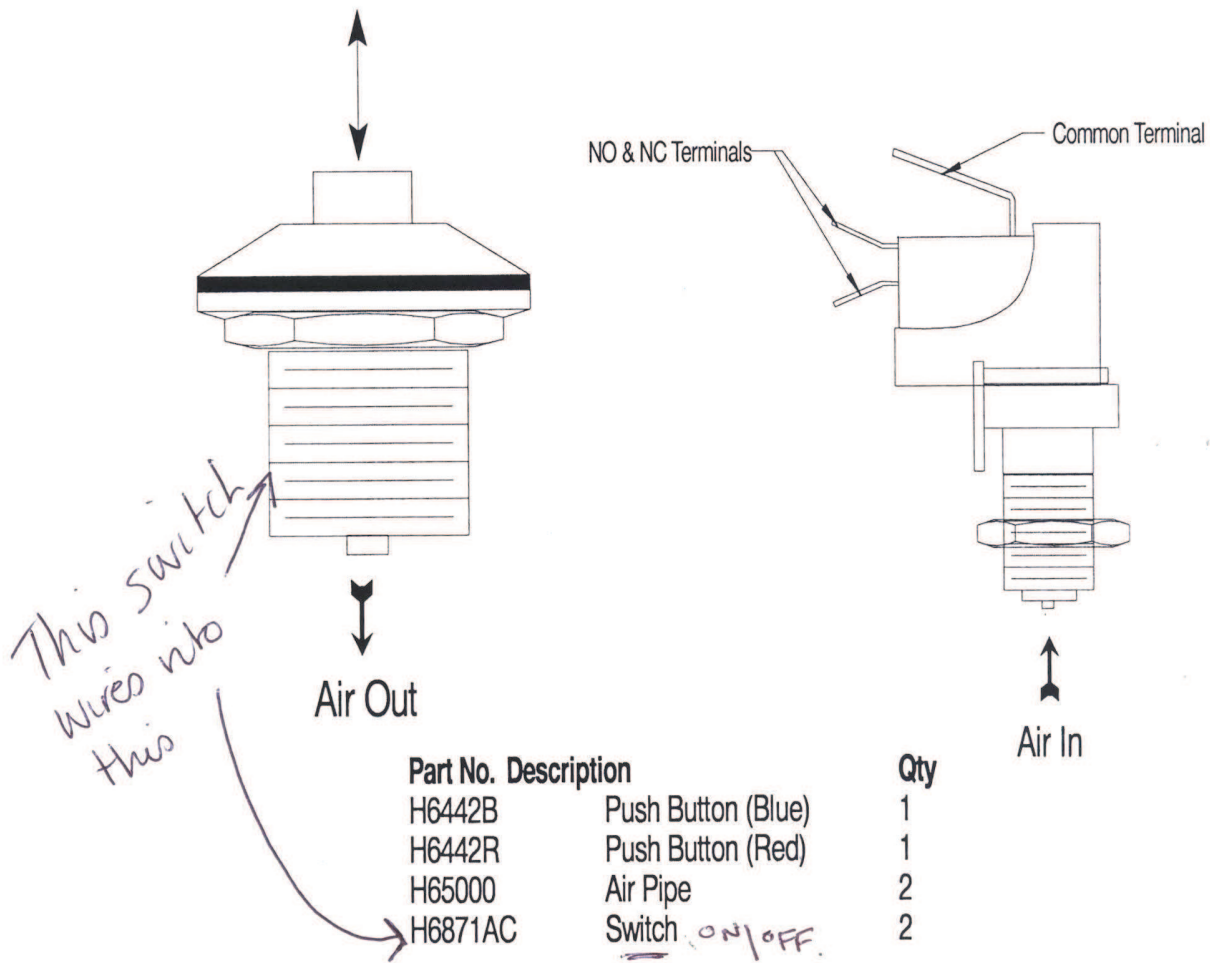
HH0053 Hose from Pump to Tap 1/2" L/P Yellow Hose

# Hot Water Lances



Position	Part No	Description
1	N26001/1504	Nozzle
1	N26001/15045	Nozzle
1	N26001/1505	Nozzle
2	DEM20340	Barrel Nut
3	MTM0001000	Rubber Cover
4	DEM10032Y	Tempest 4 QR Lance 04
5	DEM10030	QR Trigger
6	MTM70012	MVG Nipple 3/8 male
	DEM100521	Turbo 045
	DEM10053	Turbo 05
	MTM90040	Adjustable Nozzle

## Air operated push button and switch



### How does this work ?

The air switch push button contains a membrane which, when the button is pushed it increases the air pressure in the air pipe which in turn activates a mechanism inside the switch.

The top terminal on the switch is a common live feed in and the other two are N/O and N/C respectively which means it does not matter which terminal you use for the switching signal.

With the Typhoon 1 you are turning the fan motor on which gives a live feed to the flow switch which in turn signals the relay to give fuel and sparks at the same time.

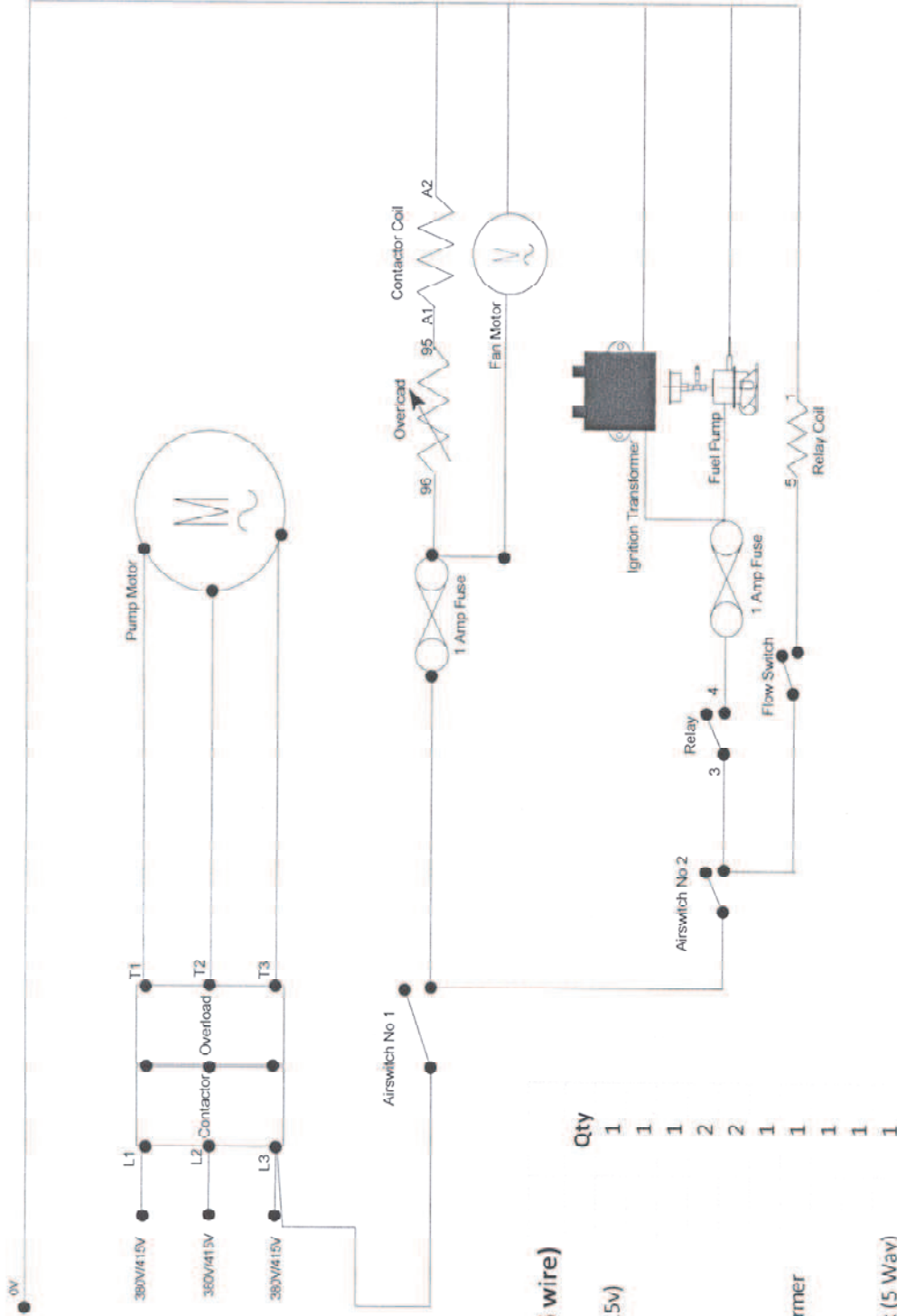
**Tempest 240V Electrical Part Numbers**

<b>MTR00100</b>	<b>Ravel Motor 240V</b>
<b>ARXT11-14</b>	<b>Pump</b>
<b>DEM10125</b>	<b>Contactor</b>
<b>DEM101251</b>	<b>MCB 13 amp</b>
<b>DEM100920</b>	<b>Fuse Holder</b>
<b>FUSE001</b>	<b>Fuse</b>
<b>DB000160</b>	<b>Fan Motor 240V</b>
<b>DB000252</b>	<b>Ignition Transformer</b>
<b>DEM100750</b>	<b>Relay Base</b>
<b>DEM100910</b>	<b>Relay</b>
<b>DEM100948</b>	<b>Connector Block ( 3way)</b>
<b>DEM10341</b>	<b>Enclosure Base</b>
<b>DEM10322</b>	<b>Lid for Enclosure</b>
<b>DEM10327</b>	<b>Screws for Lid</b>
<b>DEM10323</b>	<b>Complete Electrical Box</b>
<b>DEM10330</b>	<b>Chassis Plate</b>
<b>DEM20100</b>	<b>PG11 Cable Gland</b>
<b>DEM20110</b>	<b>PG9 Cable Gland</b>
<b>H6871AC</b>	<b>Airswitch</b>

**Tempest 110V Electrical Part Numbers**

<b>MTR00301</b>	<b>Ravel Motor 110V</b>
<b>ARXT11-14</b>	<b>Pump</b>
<b>DEM10111</b>	<b>Contactor</b>
<b>DEM10130</b>	<b>MCB 110V</b>
<b>DEM100920</b>	<b>Fuse Holder</b>
<b>FUSE002</b>	<b>Fuse 3.5</b>
<b>DB000170</b>	<b>Fan Motor 110V</b>
<b>DB000255</b>	<b>Ignition Transformer</b>
<b>DEM100750</b>	<b>Relay Base</b>
<b>DEM100915</b>	<b>Relay</b>
<b>DEM100948</b>	<b>Connector Block ( 3Way)</b>
<b>DEM10341</b>	<b>Enclosure base</b>
<b>DEM20110</b>	<b>PG9 Cable Gland</b>
<b>DEM20100</b>	<b>PG11 Cable Gland</b>
<b>DEM10322</b>	<b>Lid for Enclosure</b>
<b>DEM10326</b>	<b>Metal Chassis Plate</b>
<b>DEM10327</b>	<b>Screws for Lid</b>
<b>DEM10323</b>	<b>Complete Box</b>

# Tempest 4 Wiring Diagram

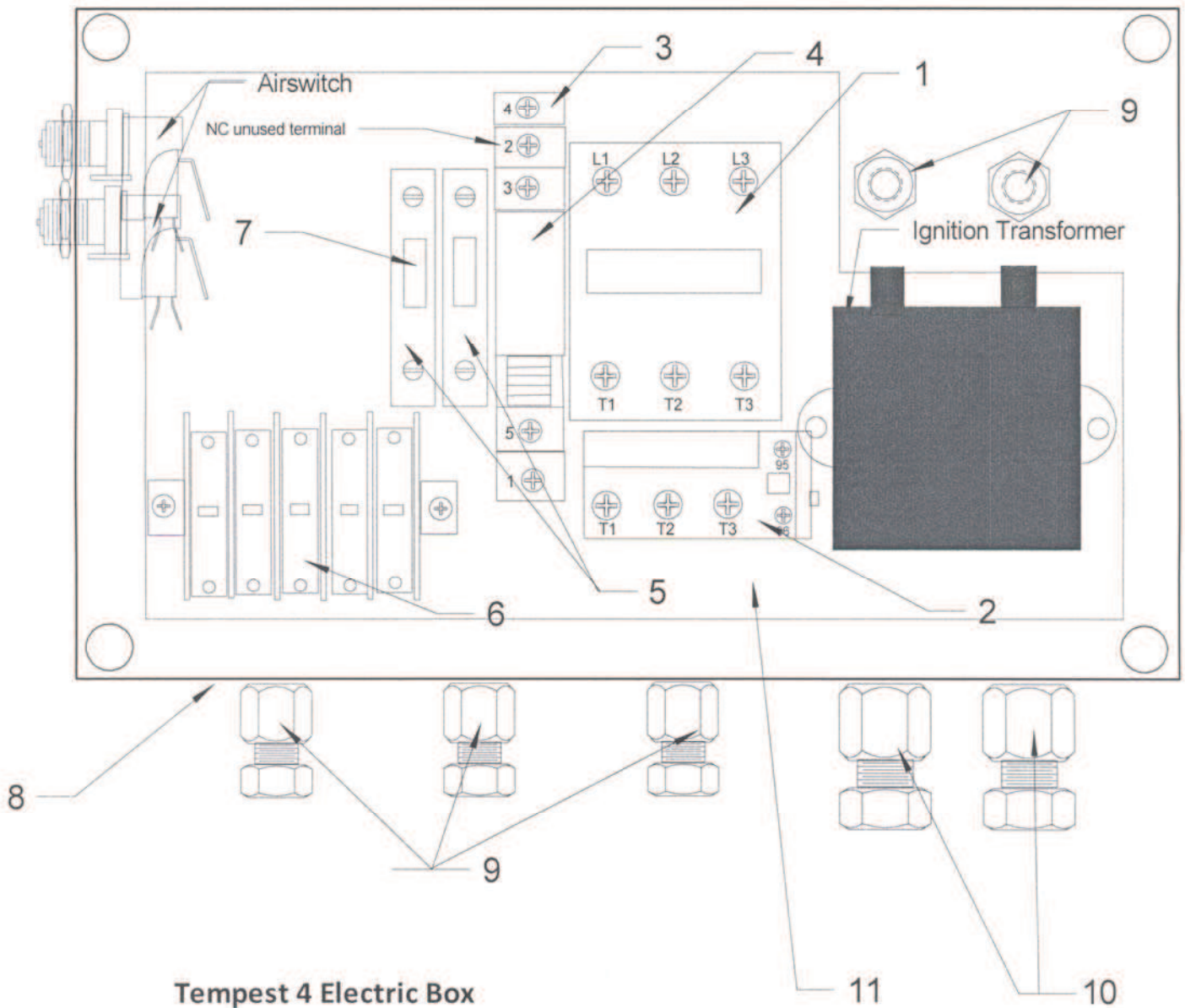


## Tempest 4 (5 wire)

Part No	Description	Qty
MTR00200	Pump Motor (415v)	1
DEM10133	Contactor	1
DEM10134	Overload	1
DEM100920	Fuse Holder	2
FUSE001	Fuse	2
D8000160	Fan Motor	1
D8000252	Ignition Transformer	1
DEM100750	Relay Base	1
DEM100910	Relay	1
DEM100950	Connector Block (5 Way)	1



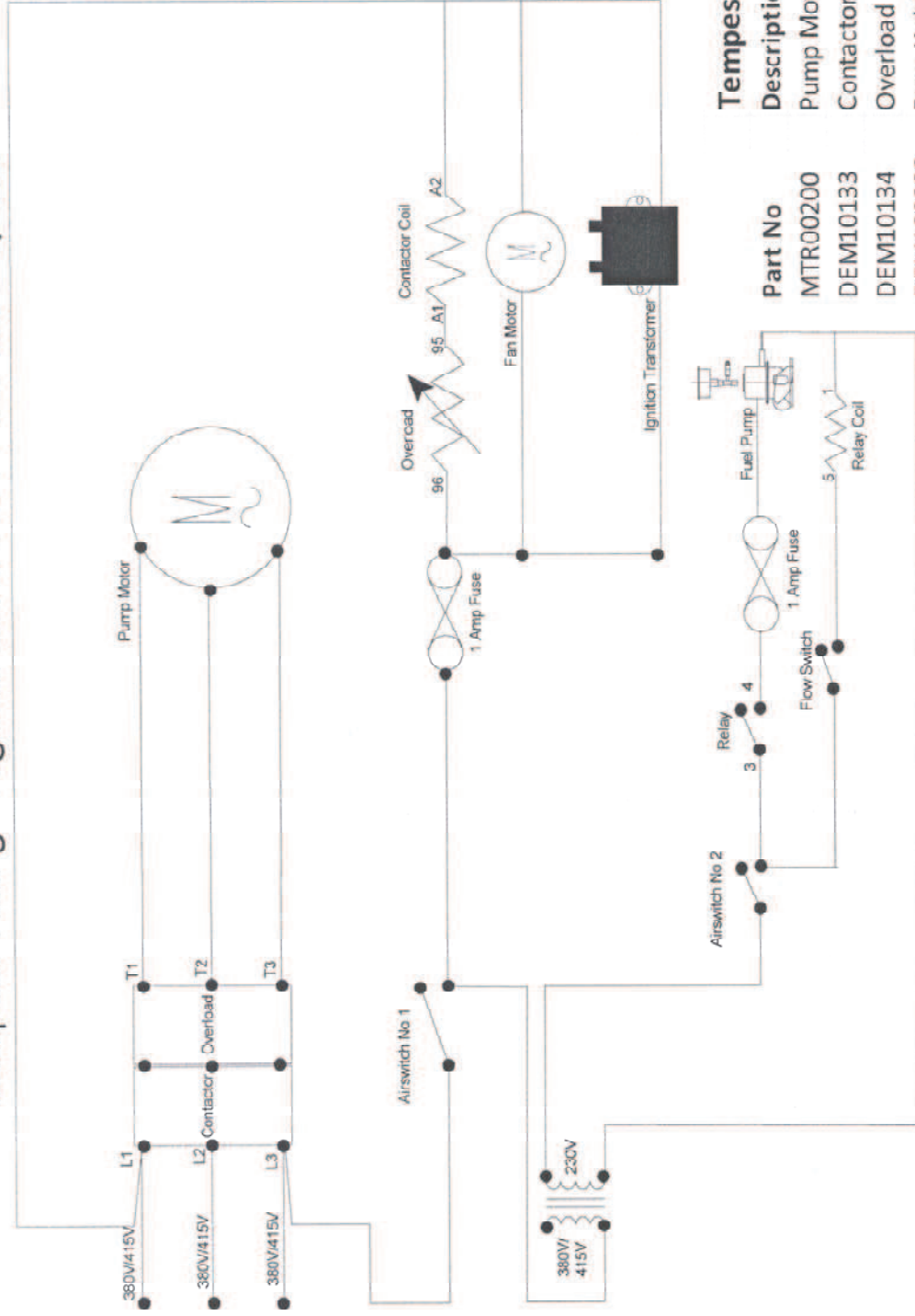
# Tempest 4 Electric Box



## Tempest 4 Electric Box

Pos.	Part No.	Description	Qty
1	DEM10133	Contactor	1
2	DEM10134	Overload	1
3	DEM100750	Relay Base	1
4	DEM100900	Relay 230V	1
5	DEM100920	Fuse Holder	2
6	DEM100948	Connector Block	1
7	FUSE001	Fuse 1 Amp	2
8	DEM10341	Enclosure	1
9	DEM20110	PG9 Cable Gland	5
10	DEM20100	PG11 Cable Gland	2
	DEM10322	Lid for Enclosure	1
11	DEM10326	Metal Chassis Plate	1
	DEM10327	Screws for Lid	4

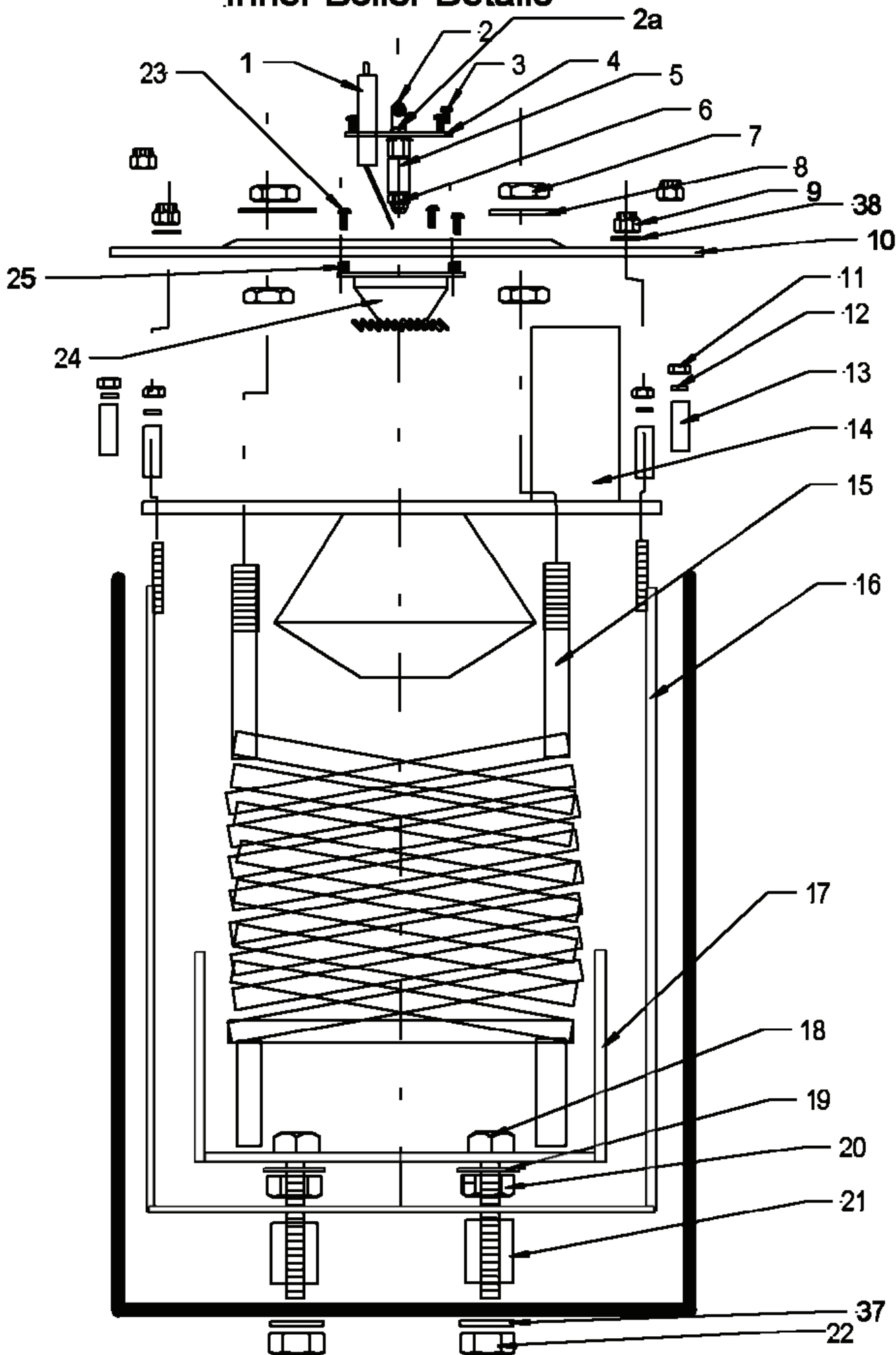
# Tempest Wiring Diagram 380V/415V Four Wire Special



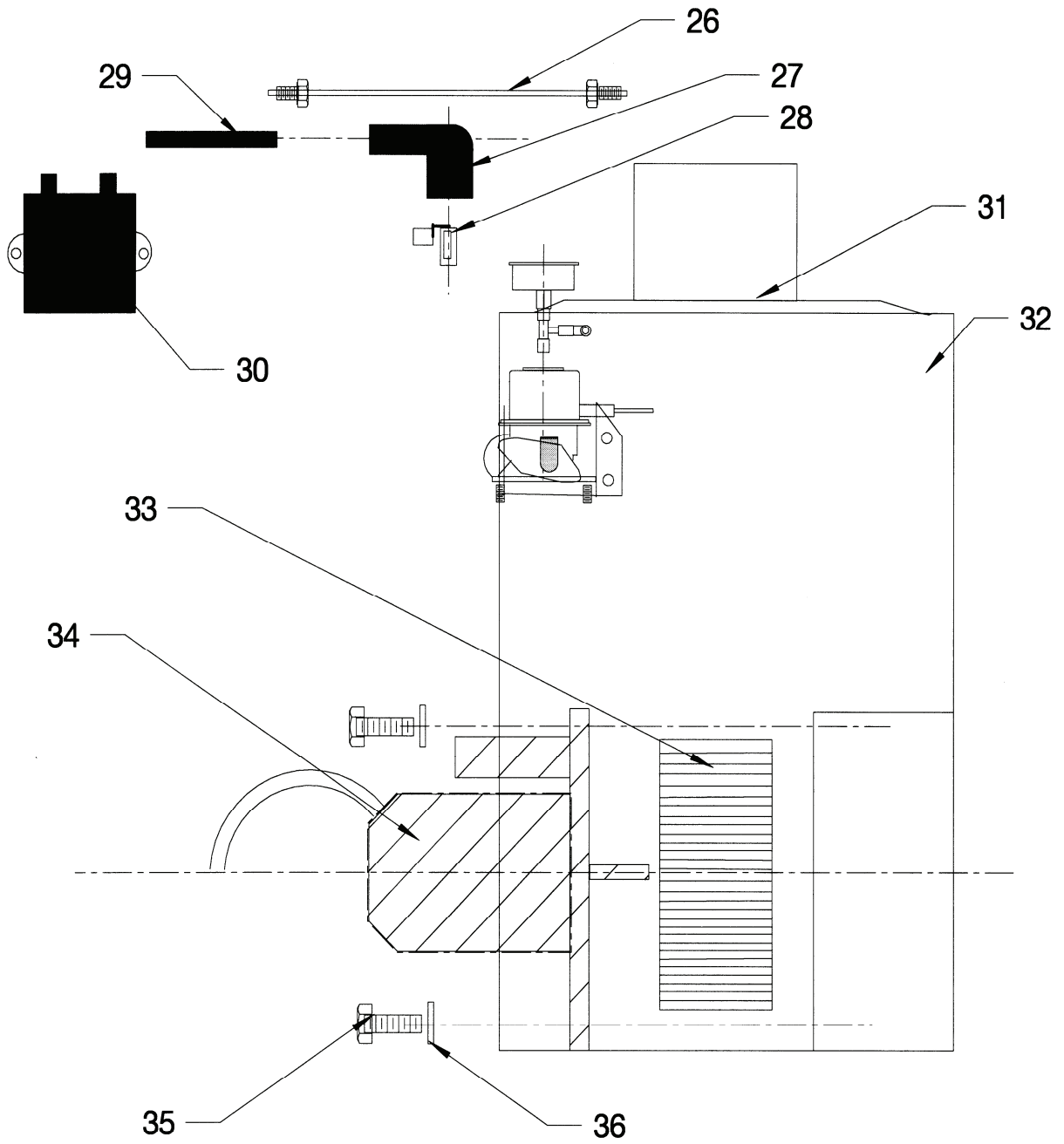
Part No	Description	Qty
MTR00200	Pump Motor (415v)	1
DEM10133	Contactor	1
DEM10134	Overload	1
DEM100920	Fuse Holder	2
FUSE001	Fuse	2
DB000175	Fan Motor	1
DB000250	Ignition Transformer	1
DEM100750	Relay Base	1
DEM100910	Relay	1
DEM100949	Connector Block (4 Way)	1

## Tempest 4 (4 wire)

# Inner Boiler Details

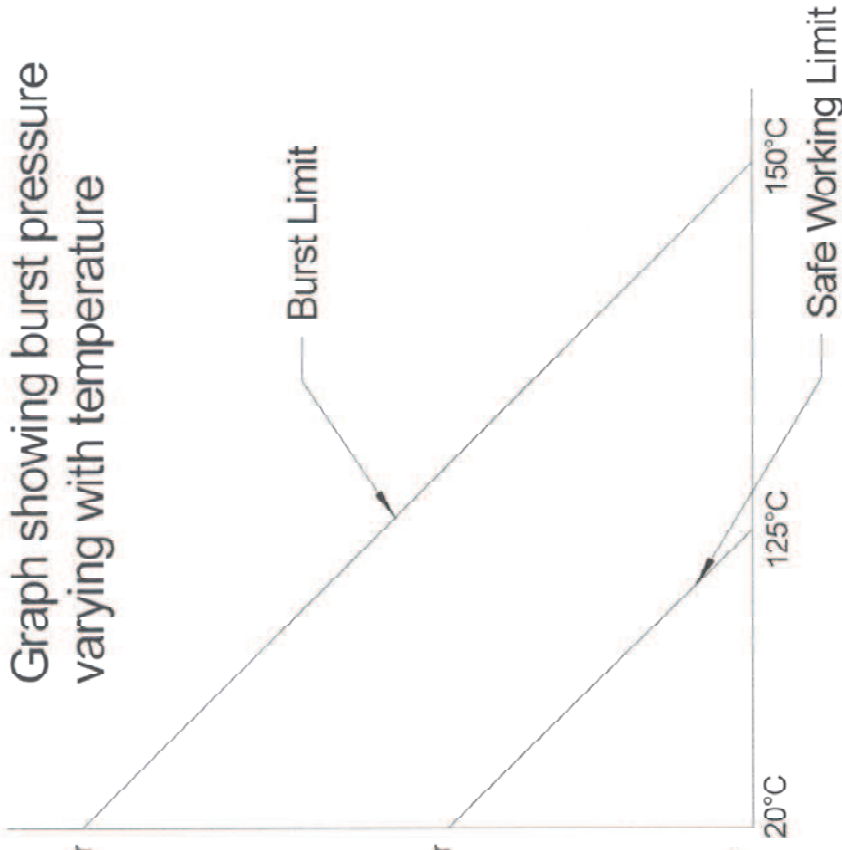
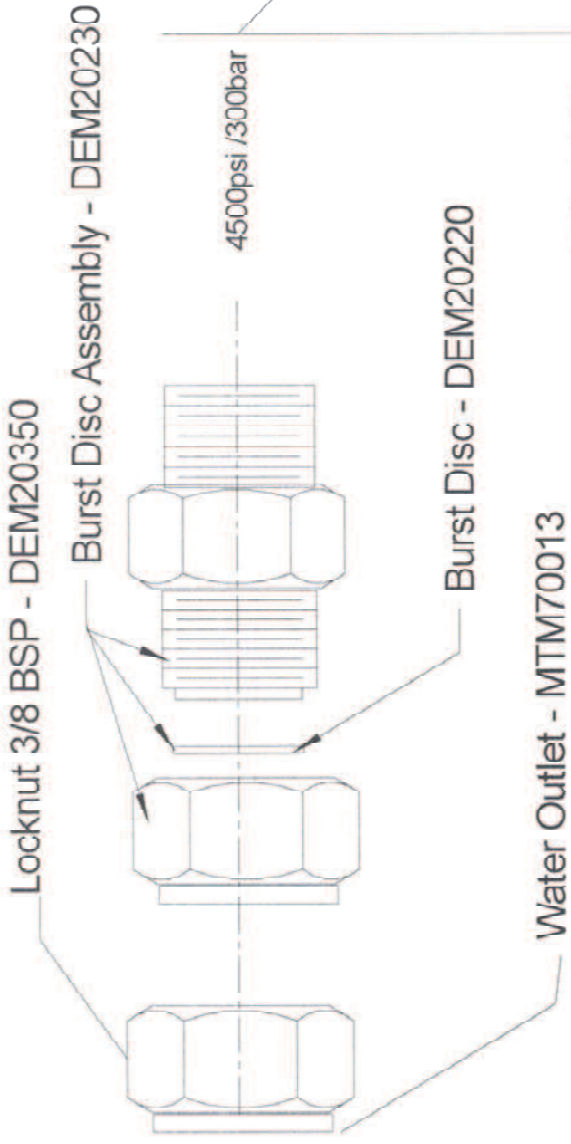


# Outer Boiler Details



### Boiler Parts List

No	Description	Part No	Qty
1	Electrode	DB000110	2
2	Adaptor	DB000130	1
2a	1/8 male male & nut adaptor	DB000240	1
3	Screw	NBW00450	3
4	Top Plate	DB000030	1
5	Nozzle Holder	DB000020	1
6	Nozzle	DB000010	1
7	$\frac{3}{8}$ " BSP Nut	DB000340	4
8	16mm Washer	DB000320	2
9	Nyloc Nut	NBW00160	4
10	Outer Drum Lid	DB000041	1
11	Plain Nut	NBW00200	4
12	M6 Washer	NBW00300	4
13	M6 Spacer	DB000280	4
14	Inner Drum Lid & Cone	DB000051	1
15	Heating Coil	DB000094	1
16	Inner Drum	DB000071	1
17	Flame pan	DB000081	1
18	M10 x 70mm Bolt	DB000065	3
19	M10 Washer	NBW00310	3
20	M10 Nut	DB000345	3
21	M10 Spacer	DB000350	3
22	M10 Nyloc Nut	DB000345	3
23	Screw	NBW00460	3
24	Flame swirler	DB000100	1
25	Washer	NBW00300	9
26	Fuel Pipe	DB002400	1
27	HT Cap (Rubber)	DB000220	2
28	Rajah Clip	DB000230	2
29	HT Lead	DB000215	2
29a	HT leads for Cabinet	DB0002155	2
30	Ignition Transformer 230V	DB000252	1
	Ignition Transformer 110V	DB000255	1
31	Gasket	DB000300	1
32	Outer drum + Fan Housing	DB000061	1
33	Impeller	DB000180	1
34	Fan Motor 230V	DB000160	1
	Fan Motor 110V	DB000170	1
35	Bolt	NBW00060	2
36	Washer	NBW00280	2
37	M10 Penny Washer	NBW00311	3
38	M6 Penny Washer	NBW00301	4

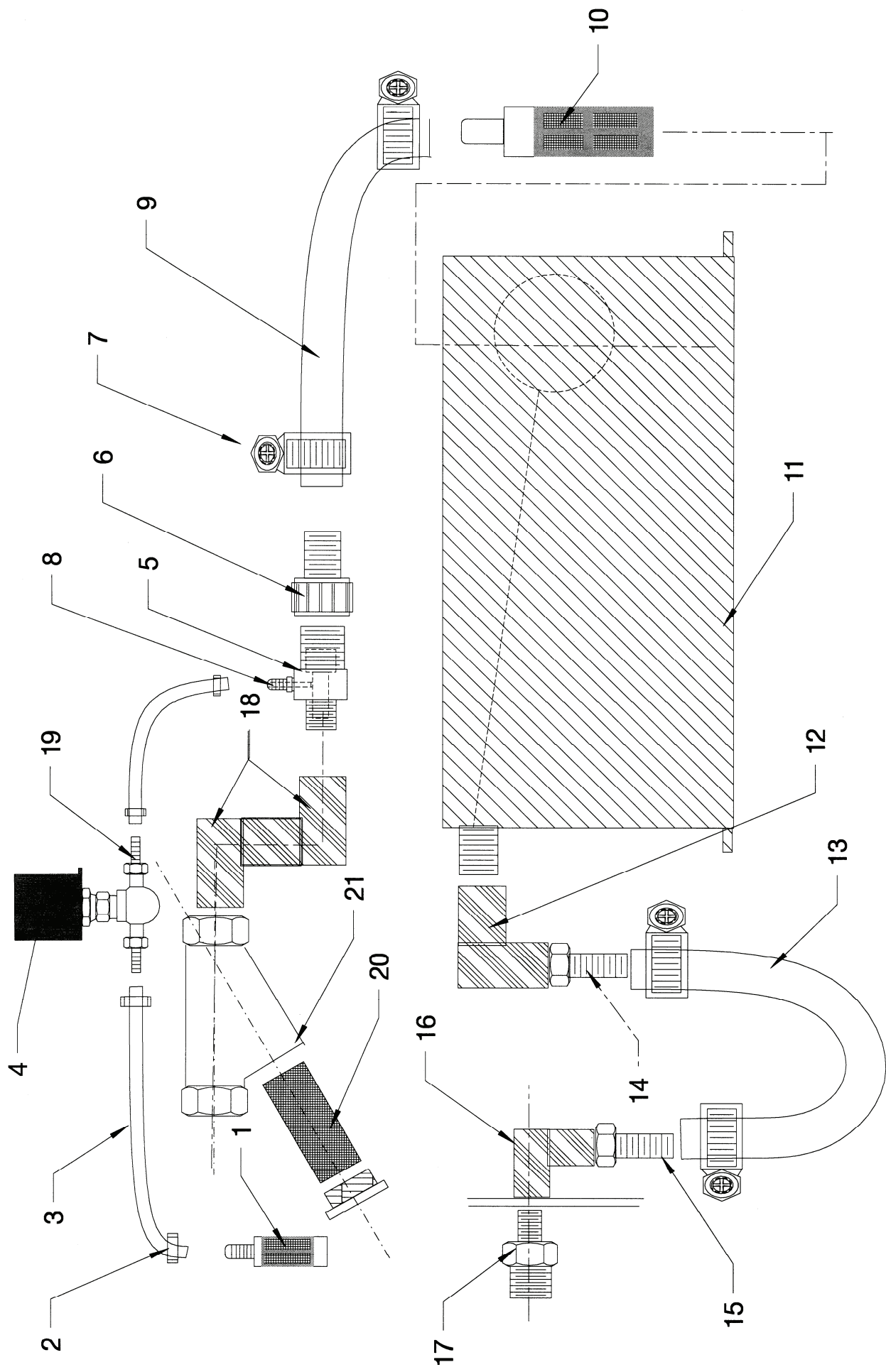


The burst disc fitted to the Demon hot water range of machines is designed to burst either with excess heat or excess pressure. The burst disc works like a fuse and will always fail safe. Rupturing of the burst disc is commonly due to one of three faults, not cooling the machine after using, a poorly maintained boiler or flow switch failure.

Running the machine for two minutes with the boiler switched off will increase the life of the boiler.

Maintaining the boiler regularly will also lead to increased efficiency and fewer breakdowns.

# Chemical and Water Circuits

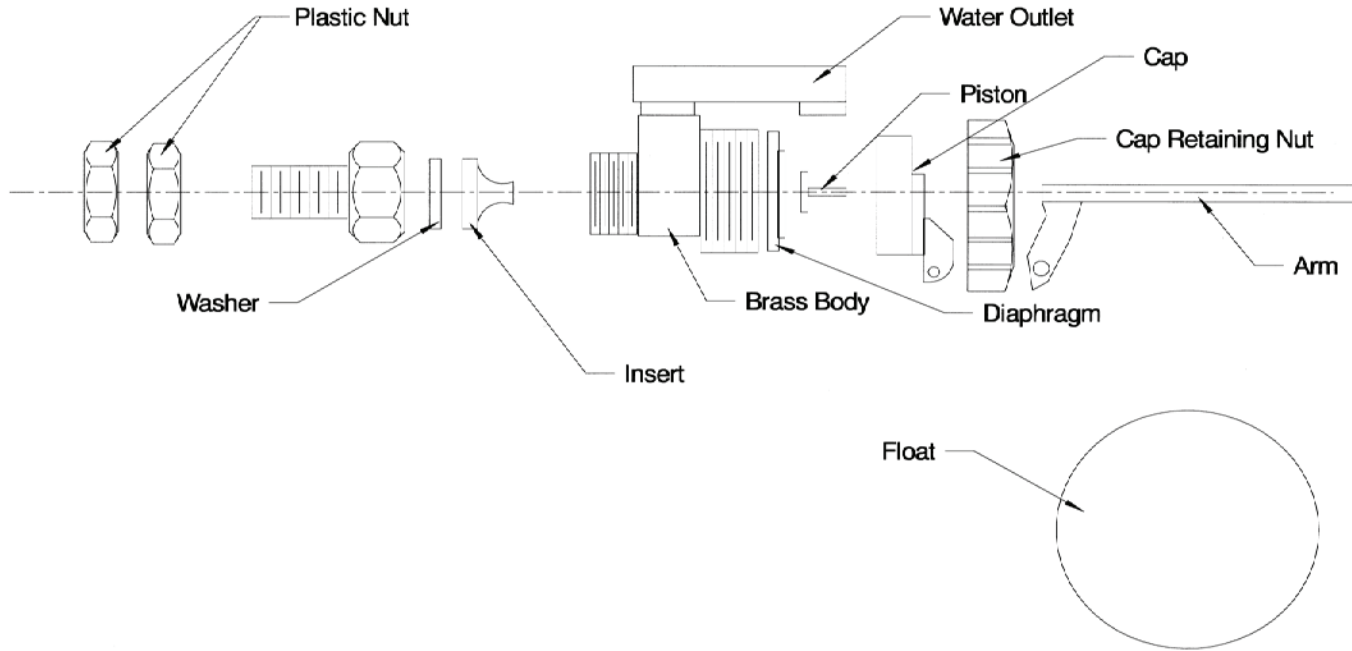


Fuel System Part List			
No	Part No	Description	Qty
1	DEM10410	Fuel Tank Complete	1
2	DEM10420	Fuel Tank Cap	1
3	DEM20450	Fuel Pickup Pipe	1
4	DEM20430	Fuel Pickup Adaptor	1
5	DEM20440	Elbow for Fuel Tank M/F 90 1/4 BSP	3
5a		Nuts	
6	DEM20402	1/4 Hose Barb x 5/16 9mm	3
7	DEM20502	One Eared Clamp 15.3mm	6
8	DB002520	Fuel Pipe—Tank to Filter	1
9	MTM87100	Fuel Filter - clear bowl type	1
10	DB002515	Fuel Pipe—Filter to Filter	1
11	DB002500	Fuel Filter	1
12	DB002510	Fuel Pipe-Filter to Pump	1
13	DEM20401	1/8 Hose Barb x 5/16 (9mm)	1
14	DB000156	Elbow 1/8 male x 1/8 female	1
15	DB002300/2301/2305/2306	Fuel Pump (Pick 1 option)	1
16	DB00240	Copper fuel pipe	1

Chemical & Water Circuits			
No	Part No	Description	Qty
1	MTM86010	Chemical Filter	1
2	DEM20500	Hose Clips	4
3	DEM10115	Detergent Pipe	2
4	MTM25801	Chemical Valve	1
5	PA00100	Chemical Intake	1
6	MTM71167	Hose Barb Complete	1
7	DEM20500	Jubilee Clip	4
8	DEM20400	Hose Tail 1/8	1
9	HH0053	Inlet pipe	1
10	MTM85002	Water Filter	1
11	DEM10435	Water Tank	1
12	MTM0012FF03	Brass Elbow	1
13	HH0053	Pipe	1
14	DEM10310	Hose tail	1
15	DEM10300	Hose tail	1
16	MTM0012FF02	Brass Elbow	1
17	DEM20255	Adaptor	1
18	MTM0012FM03	Brass Elbow	2
19	DEM204110	Hose tail	2
20	MTM89011B	Mesh Insert / Y strainer	1
21	MTM89011	Brass Filter	1

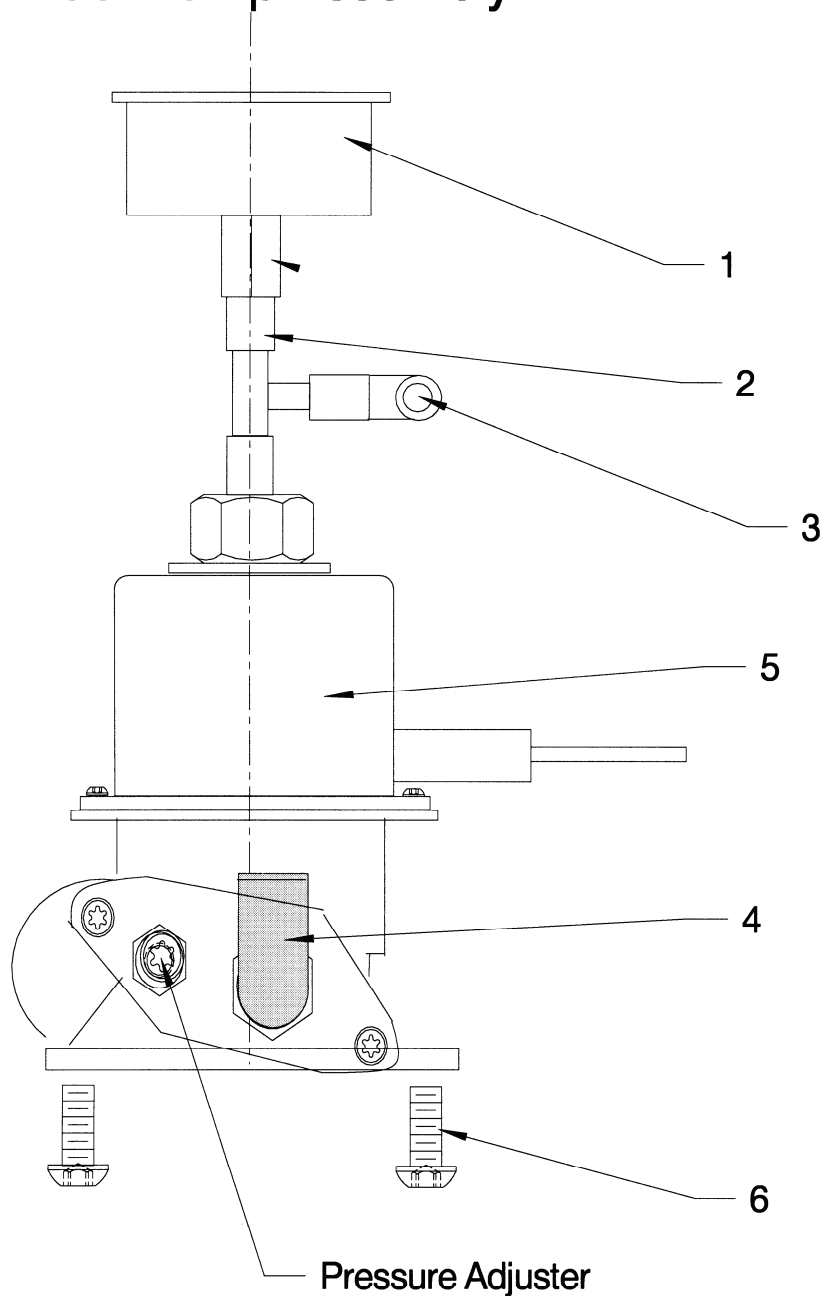


# Float Valve Assembly



Part Number	Description	Qty
DEM10450	Brass Float Arm	1
DEM10449	Ball For Float Arm	1
DEM10445	HP Insert White7 to 20bar	1
DEM10446	MP Insert Red3 to 7bar	1
DEM10447	LP Insert 0 to 3bar	1
No other Parts available		

# Fuel Pump Assembly



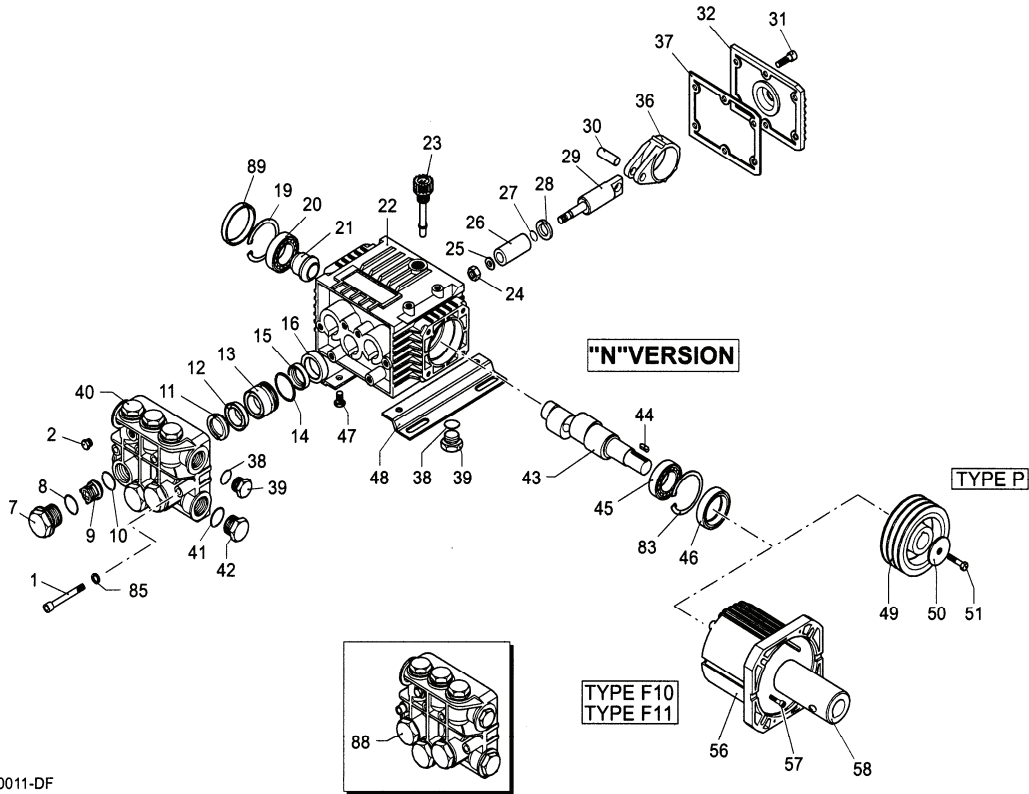
Item	Description	Part Number	Quantity
1	Fuel Pressure Gauge	DEM20630	1
2	Tee	DB000155	1
3	Adaptor	DB000135	1
4	Adaptor	DB000145	1
5	Fuel Pump Complete 110V	DB002305	1
	Fuel Pump Complete 230V	DB002300	1
6	Screw	AR1260470	2

Note: Pump available in 230V or 110V only, fuel pump has no sevicable parts, when fitting new pump do not shorten leads, pressure set to 110psi (7.5 bar).

Pump for Tempest 1 and Tempest 3

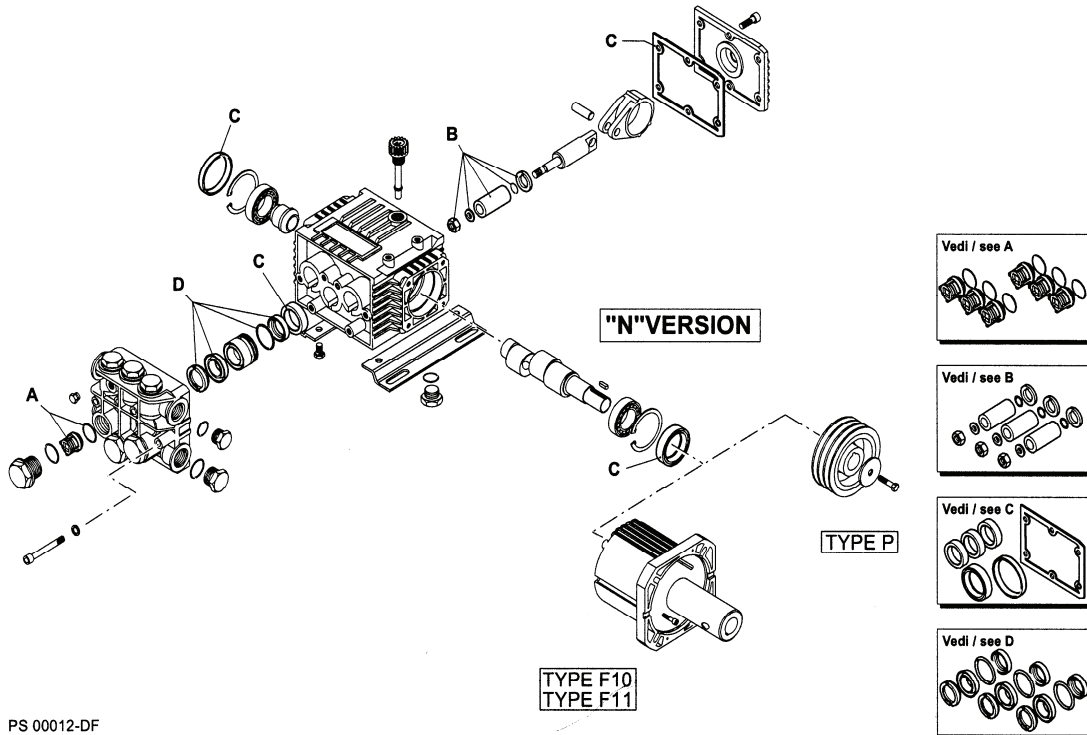
**XT**

VERSION **N 1450** RPM



PS 00011-DF

**KIT RICAMBI / PART KITS**



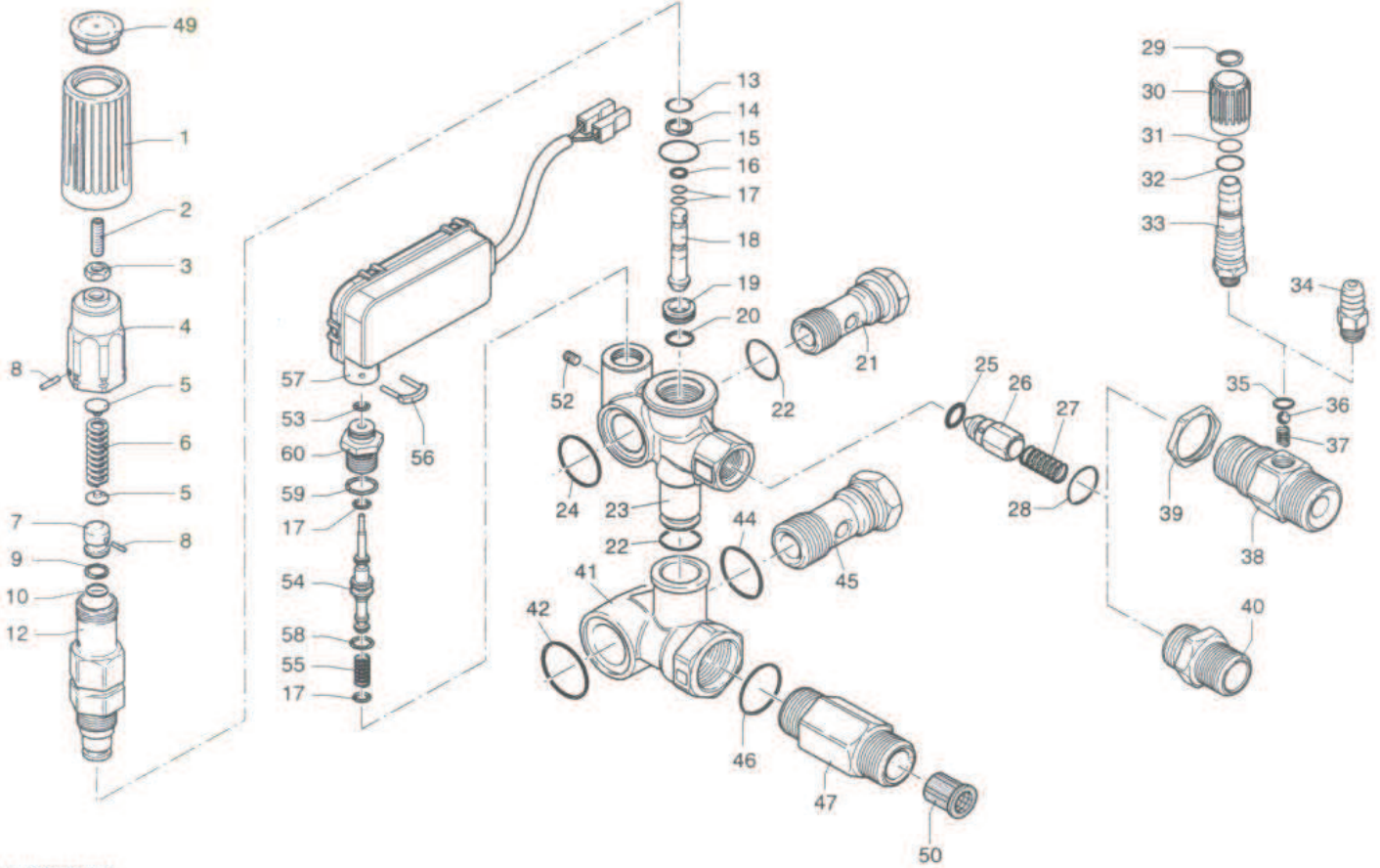
PS 00012-DF

<b>XT 1450</b>				<b>For XT11-14 / XT13-12 / XT13-15</b>			
Pos	Code No	Description	Qty	Pos	Code No	Description	Qty
1	AR680570	Screw	6	40	AR1320020	Pump Head	1
2	AR620301	Plug	1	41	AR180101	O Ring	1
7	AR1260162	Plug	6	42	AR820361	Plug	1
8	AR960160	O Ring	6	43	AR1260200	Crankshaft	1
9	AR1269050	Complete Valve	6	43	AR1320260	Crankshaft	1
10	AR880830	O Ring	6	44	AR1380520	Key	1
11	AR1320340	Support Ring	3	45	AR1320370	Bearing	1
12	AR1260220	Gasket	3	46	AR1260750	Seal	1
13	AR1320351	Piston Guide	3	47	AR1260470	Screw	4
14	AR1260420	O Ring	3	48	AR1263890	Base	2
15	AR1260450	Gasket	3	83	AR1260790	Circlip	1
16	AR1260460	Seal	3	85	AR1381550	Washer	6
19	AR1260790	Circlip	1	88	AR1269222	Pump Head pre-ass	1
20	AR1320370	Bearing	1	89	AR1266740	Cap	1
21	AR1320330	Bushing	1				
22	AR1320010	Pump Housing	1				
23	AR880130	Oil Plug	1				
24	AR1260110	Nut	3				
25	AR1260100	Washer	3				
26	AR1260210	Piston	3				
27	AR480480	O Ring	3				
28	AR1260091	Spacer	3				
29	AR1260070	Guiding Piston	3				
30	AR1260080	Piston Pin	3				
31	AR1260760	Screw	6				
32	AR1269101	Complete Cover	1				
32	AR1320910	Complete Cover	1				
36	AR1260060	Con Road	3				
36	AR1320140	Con Road	3				
37	AR1260040	Gasket	1				
38	AR740290	O Ring	2				
39	AR1980740	Plug	2				

<b>ARKIT1864</b>		<b>ARKIT2629</b>		<b>ARKIT1872</b>	
Valve Kit		Piston Kit		Oil Seal Kit	
Pos	Qty	Pos	Qty	Pos	Qty
9	6	24	3	16	3
10	6	25	3	37	1
		26	3	46	1
		27	3	89	1
		28	3		

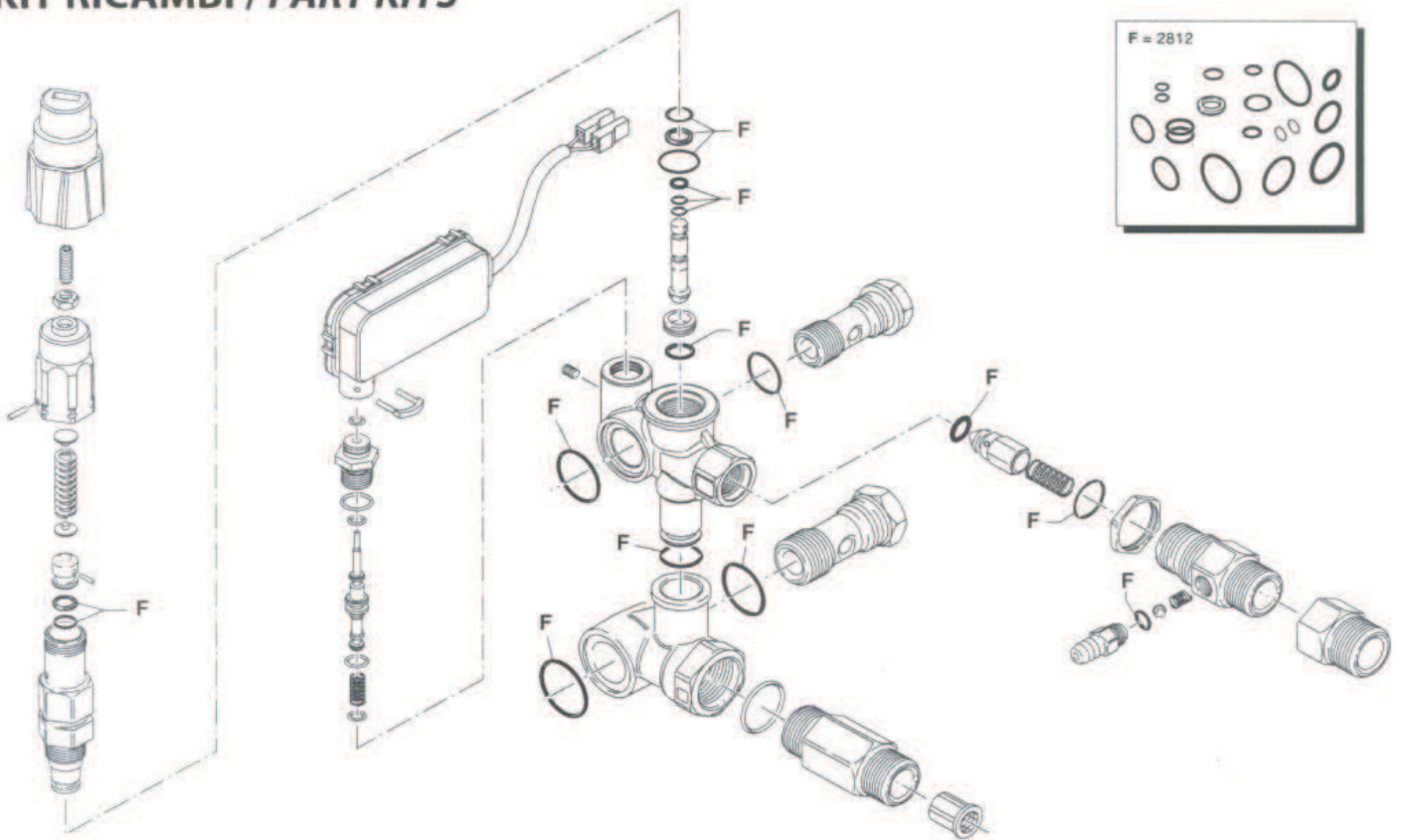
<b>ARKIT1874</b>	
Water Seals	
11	3
12	3
14	3
15	3

# MINIMATIC 4/B TSS



UN002257-IA

## KIT RICAMBI / PART KITS



UN002258-IA

**MINIMATIC 4/B TSS**

Pos	Part No	Description	Qty	Pos	Part No	Description	Qty
1	AR1981780	Knob extension	1	40	AR1540180	Adaptor <sup>3</sup> / <sub>8</sub> G	1
2	AR392840	Grub screw	1	40	AR1540500	Adaptor <sup>3</sup> / <sub>8</sub> NPT	1
3	AR1980300	Nut	1	41	AR1540280	By pass housing	1
4	AR2500400	Knob insert	1	42	AR1540630	O RING	1
5	AR1980220	Spring plate	2	44	AR880270	O RING	1
6	AR1271070	Spring	1	45	AR1540260	Screw	1
7	AR1080041	Upper piston	1	46	AR480440	O ring	1
8	AR1080070	Pin	2	47	AR1560600	Suction fitting	1
9	AR1080401	Back Up Ring	1	49	AR1981770	Knob plug	1
10	AR1080250	O Ring	1	50	AR1340260	Water suction filter	1
12	AR1980210	Piston Guide	1	52	AR1981190	Grub screw	1
13	AR740290	O ring	1	53	AR1260820	O ring	1
14	AR800560	O ring	1	54	AR1540880	TSS piston	1
15	AR880830	O ring	1	55	AR1981320	Spring	1
16	AR1271170	Back up ring	1	56	AR2022200	Clip	1
17	AR1080190	O ring	2	57	AR2029753	TSS assembly	1
18	AR1271160	Lower piston	1	58	AR660190	O ring	1
19	AR1980200	Valve seat	1	59	AR880840	O ring	1
20	AR1470210	O ring	1	60	AR1540870	TSS fitting	1
21	AR1540270	Thread screw	1	61	AR2029753	Switch	1
22	AR390080	O ring	2	62	AR2029753a	Microswitch	1
23	AR1540660	Valve housing	1				
24	AR1140450	O ring	1				
25	AR1460430	O ring	1				
26	AR1540170	Jet	1				
27	AR1080091	Ball Spring	1				
28	AR394280	O ring	1				
29	AR1560660	Ring	1				
30	AR1560680	Detergent reg knob	1				
31	AR480560	O ring	1				
32	AR800560	O ring	1				
33	AR1560650	Hose tail	1				
34	AR1560490	Hose tail	1				
35	AR480480	O ring	1				
36	AR1250280	Ball	1				
37	AR1560520	Spring	1				
38	AR1540570	Fitting <sup>3</sup> / <sub>8</sub> G	1				
38	AR1540580	Fitting <sup>3</sup> / <sub>8</sub> G	1				
39	AR1540300	Nut	1				

**ARKIT 2812**

**O Rings**

Pos	Qty	Pos	Qty	Pos	Qty
9	1	17	2	35	1
10	1	20	1	42	1
13	1	22	2	44	1
14	1	24	1		
15	1	25	1		
16	1	28	1		

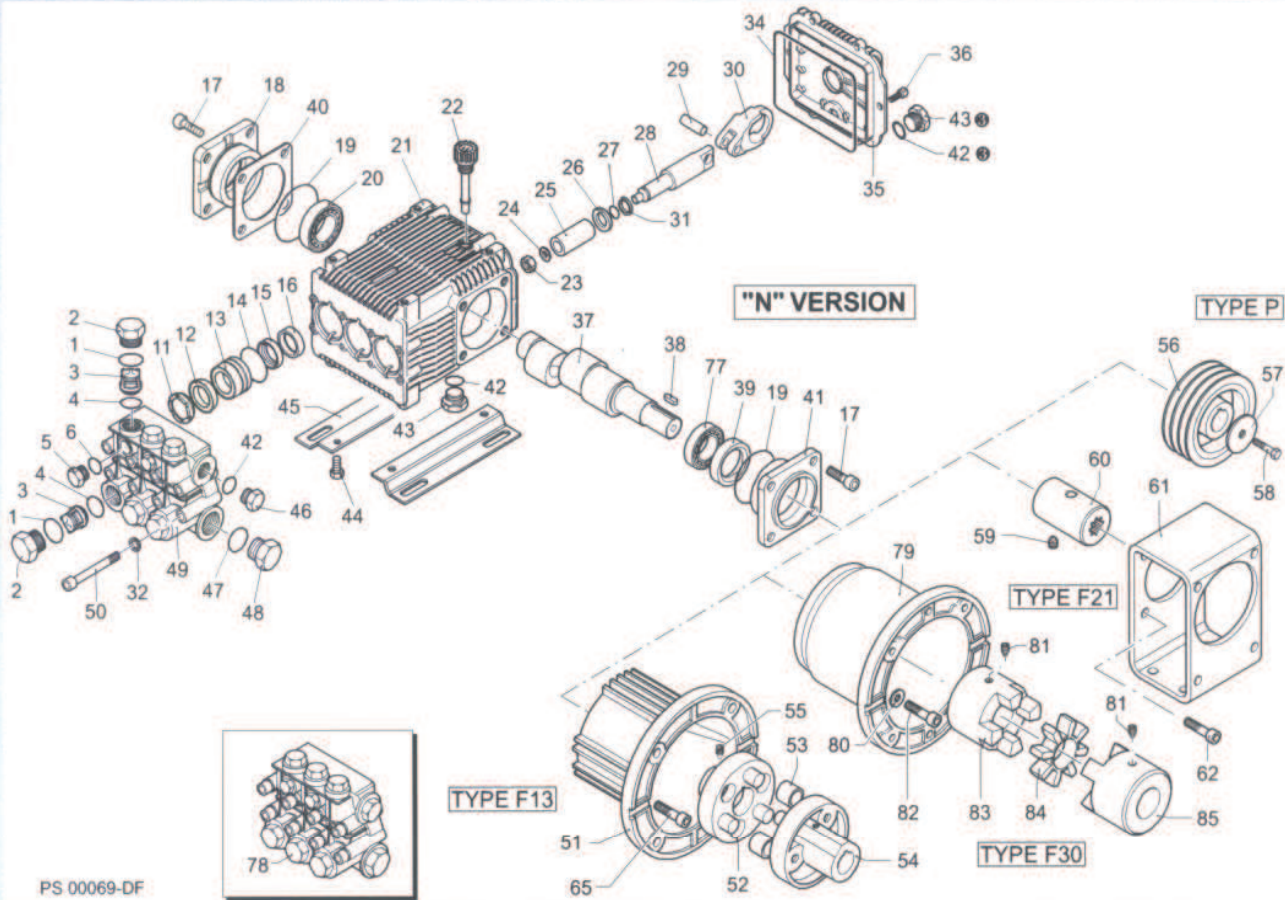
**ARKIT2222**

**MINI MATIC AUTO REPAIR KIT**

Pos	Qty	Pos	Qty
17	4	58	1
53	1	59	1
54	1	60	1
55	1	62	1

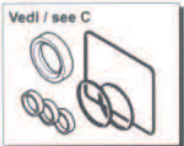
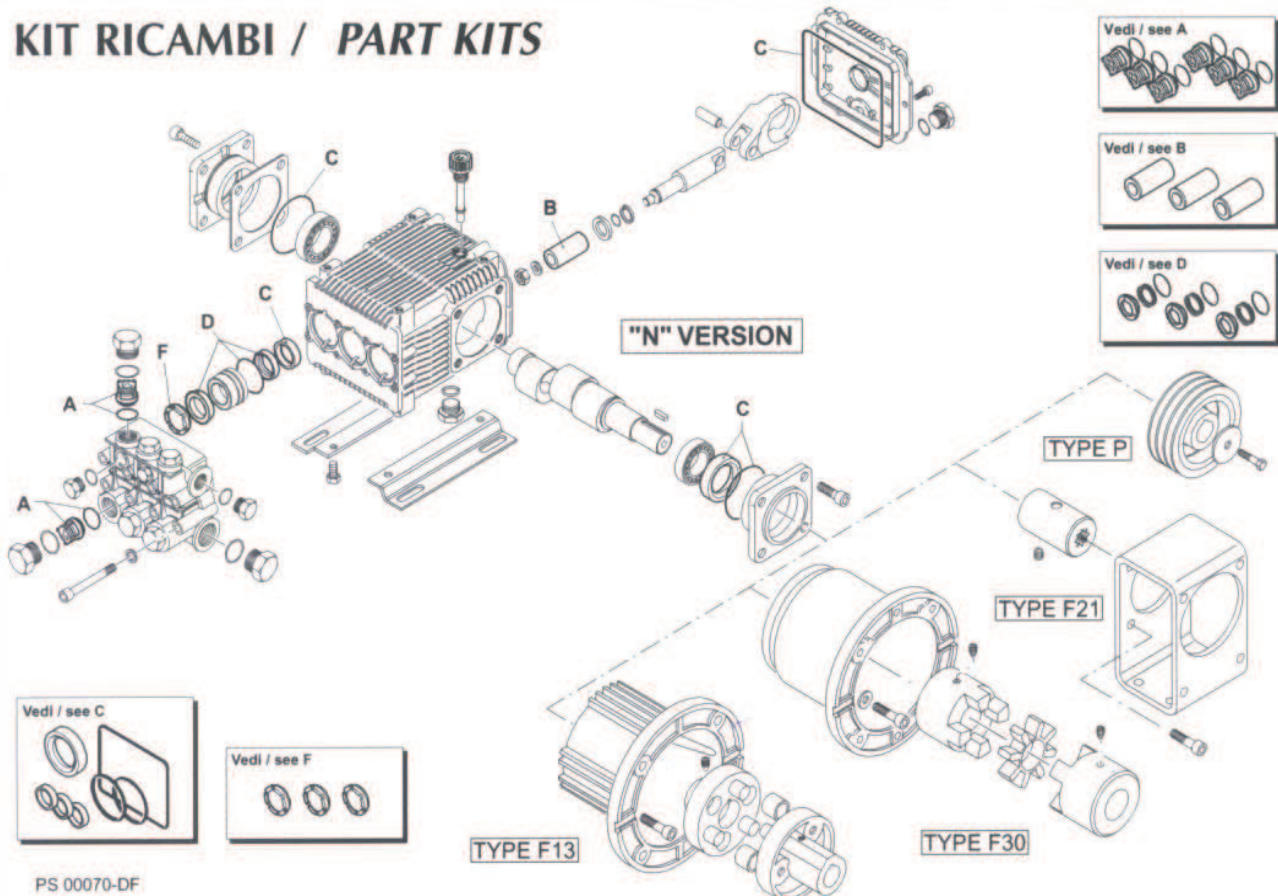
# RK

# VERSION N 1450 RPM



PS 00069-DF

## KIT RICAMBI / PART KITS



PS 00070-DF

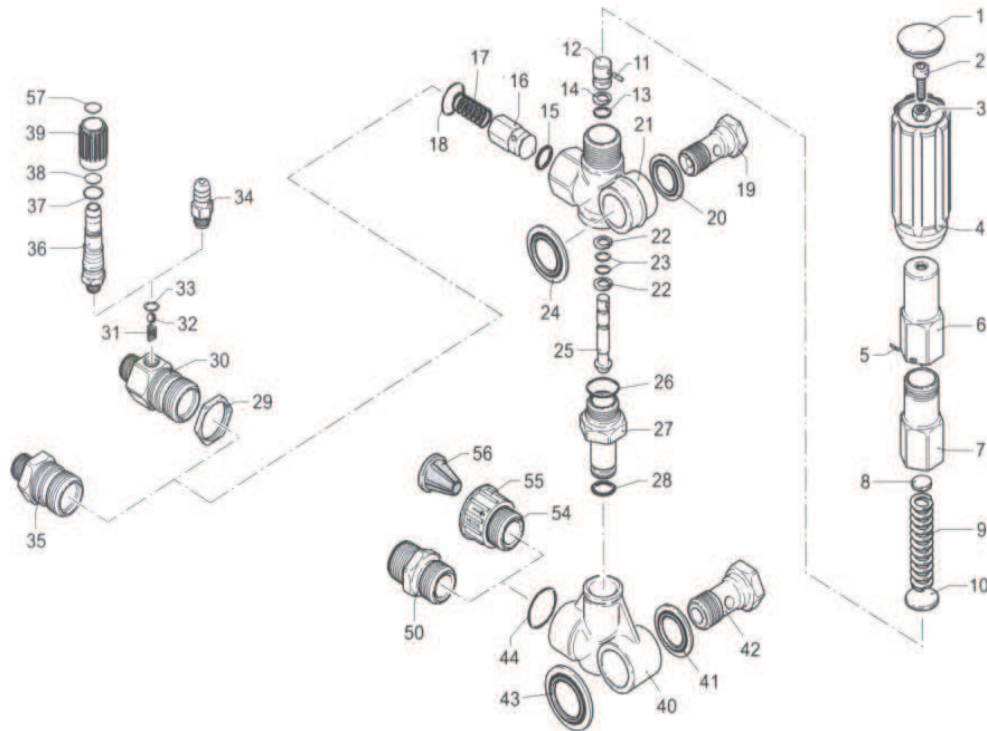
RK MODEL: 15.20H							
Pos	Part No	Description	Qty	Pos	Part No	Description	Qty
1	AR960160	O Ring	6	36	AR1343510	Screw	6
2	AR960090	Plug	6	40	AR1380120	0.10mm shim	1÷3
2	AR1380740	Plug	6	40	AR1380130	0.20mm shim	1÷3
3	AR1389051	Complete Valve	6	40	AR1380530	0.25mm shim	1÷3
4	AR880830	O Ring	6	40	AR1382810	0.05mm shim	1÷3
5	AR880581	Plug	2	42	AR740290	O ring	3
6	AR820510	O Ring	2	43	AR1980740	<sup>3</sup> / <sub>8</sub> G plug	2
11	AR960110	Support Ring	3	44	AR1260470	Screw	4
12	AR880320	Gasket	3	45	AR1380141	Base	2
13	AR1380090	Piston Guide	3	46	AR1980740	<sup>3</sup> / <sub>8</sub> G Plug	1
14	AR961240	O Ring	3	46	AR1981180	<sup>3</sup> / <sub>8</sub> G Plug	1
15	AR880330	Gasket	3	47	AR180101	O Ring	1
16	AR138130	Seal	3	48	AR820361	Plug	1
17	AR850370	Screw	8	48	AR960870	Plug	1
18	AR1380050	Closed Bearing sup	1	49	AR1381071	Pump head	1
19	AR640030	O Ring	1	50	AR820150	Screw	8
20	AR2280240	Bearing	1	60	AR1380320	Bearing	1
21	AR1382770	Pump Housing	1	61	AR621170	Seal	1
22	AR880130	Oil Cap	1	62	AR1380220	O Ring	1
23	AR962010	Nut	3	63	AR1380210	Shaft cover	1
24	AR962000	Washer	3	66	AR2280180	Hollow Shaft 28mm	1
24	AR1380940	Ceramic Piston	3	66	AR2280170	Hollow Shaft 028mm	1
26	AR1380950	Spacer	3	66	AR2280160	Hollow Shaft 028mm	1
27	AR600180	O ring	3	66	AR2280150	Hollow Shaft 028mm	1
28	AR1380920	Guiding Piston	3	67	AR1380370	El Motor flange	1
29	AR1380060	Piston Pin	3	76	AR620610	Screw	4
30	AR1383050	Aluminium con-rod	3	86	AR1260250	Oil Indicator	1
31	AR1080401	Ring	3	87	AR1260430	Snap Ring	1
32	AR1381850	Washer	8	88	AR1780690	Disc	1
34	AR1780510	O Ring	1	89	AR1140450	O Ring	1
35	AR1789010	Complete cover	1				

Valve Kit		Piston Kit		Oil Seal Kit	
ARKIT1828		ARKIT2757		ARKIT1856	
Pos	Qty	Pos	Qty	Pos	Qty
3	6	25	3	16	3
4	6			19	1
				34	1
				61	1
				62	1

Water Seal		Support Ring	
ARKIT1857		ARKIT1829	
Pos	Qty	Pos	Qty
12	3	11	3
14	3		
15	3		

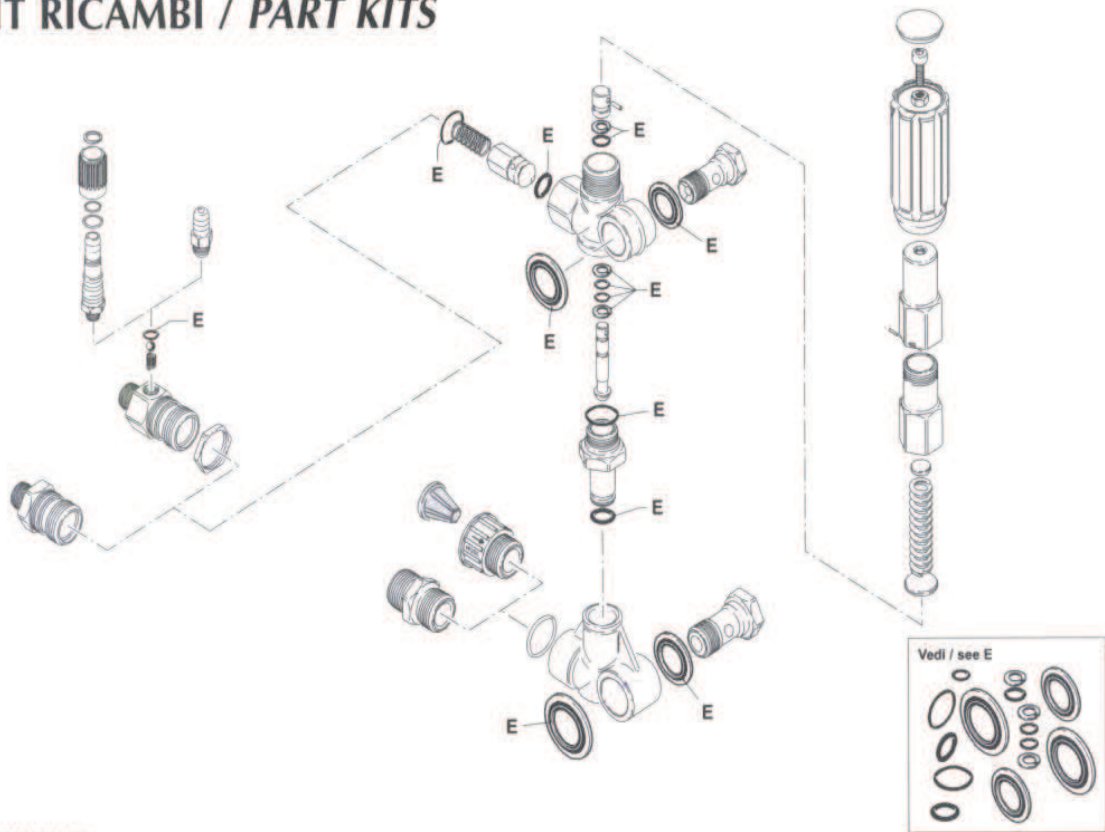


# GYMATIC 3/B



UN000190-HF

## KIT RICAMBI / PART KITS



UN000191-HF

GYMATIC 3/B							
Pos	Part No	Description	Qty	Pos	Part No	Description	Qty1
1	AR1560580	Knob Plug	1	39	AR1560670	Detergent Reg Knob	1
2	AR180030	Screw	1	40	AR1540020	By-pass housing	1
3	AR1660210	Nut	1	41	AR154120	Washer	1
4	AR1560400	Handle	1	42	AR1540090	Fitting 1/2" G	1
5	AR1080070	Pin	1	42	AR1540200	Fitting 1/2" NPT	1
6	AR1560420	Adjusting Screw	1	43	AR1560290	Washer	1
7	AR1560410	Spring Guide	1	44	AR480440	O Ring	1
8	AR1560440	Plate	1	50	AR1540050	Fitting 1/2" G	1
9	AR1560350	Spring	1	54	AR1560310	Fitting	1
10	AR108610	Spring Plate	1	55	AR1560300	Ring Nut	1
11	AR1080660	Pin	1	56	AR1266330	Filter	1
12	AR1080540	Upper Piston	1	57	AR1560660	Ring	1
13	AR391000	O Ring	1				
14	AR108640	Back up Ring	1				
15	AR1560150	O Ring	1				
16	AR1560100	Jet	1				
17	AR1560140	Spring	1				
18	AR180101	O Ring	1				
19	AR1540080	Fitting 3/8"G	1				
19	AR1540190	Fitting 3/8" NPT	1				
20	AR1540110	Washer	1				
21	AR1560010	Valve Housing	1				
22	AR1080550	Back Up ring	2				
23	AR480480	O Ring	2				
24	AR1560280	Washer	1				
25	AR1560320	Lower piston	1				
26	AR880270	O Ring	1				
27	AR1560051	By pass adaptor	1				
28	AR390080	O Ring	1				
29	AR1560510	Nut	1				
30	AR1560500	Fitting 3/8" G	1				
30	AR1560530	Fitting 3/8"G	1				
30	AR1560540	Fitting 3/8"G	1				
31	AR1560520	Spring	1				
32	AR1250280	Ball	1				
33	AR480480	O Ring	1				
34	AR1560490	Hose Tail	1				
35	AR1560110	Adaptor 3/8"G	1				
35	AR1560111	Adaptor 3/8"G	1				
36	AR1560650	Hose Tail	1				
37	AR800560	O Ring	1				
38	AR480560	O Ring	1				

ARKIT2611					
Pos	Qty	Pos	Qty	Pos	Qty
13	1	23	2	43	1
14	1	24	1		
15	1	26	1		
18	1	28	1		
20	1	33	1		
22	2	41	1		

# VRZ TSS + ID



AR0321-05

## KIT RICAMBI / PART KITS



AR0321-05

AR0321-05

52



AR0321-05

## VRZ TSS

POS	Part No	Description	Qty	Pos	Part No	Description	Qty
1	AR3200500	Plug	1	40	AR2260480	Ring	1
2	AR2840970	Screw	1	41	AR2260470	Pin	1
3	AR1060120	Nut	1	42	AR2260460	Spring	1
4	AR3740030	Knob	1	43	AR2021650	Washer	1
5	AR2500540	Insert	1	44	AR1260821	O-ring	1
6	AR2500550	Split pin	1	45	AR3740050	Ring	1
7	AR1980220	Wobble plate	2	46	AR600180	O-ring	1
8	AR2760410	Spring	1	47	AR3740040	Fitting	1
9	AR2760400	Piston	1	48	AR2022201	Fork	1
10	AR2260100	O-ring	1	49	AR2029752	TSS box assembly	1
11	AR660190	O-ring	1	50	AR2029752A	Micro switch	1
12	AR2760210	Ring	1				
13	AR2760570	Guide	1				
14	AR1200690	O-ring	1				
15	AR394280	O-ring	5				
16	AR2260070	Shutter	1				
17	AR2760980	Seat	1				
18	AR770140	O-ring	1				
19	AR2760640	Ring	1				
20	AR390080	O-ring	2				
21	AR1540272	Screw	1				
22	AR1982520	Hose tail	1				
23	AR480480	O-ring	1				
24	AR1250280	Ball	1				
25	AR1560520	Spring	1				
26	AR2260190	O-ring	1				
27	AR3740010	Valve body	1				
28	AR1120681	O-ring	1				
29	AR1540630	O-ring	1				
30	AR3740020	Body	1				
31	AR880270	O-ring	1				
32	AR2260420	Screw	1				
33	AR2101770	O-ring	1				
34	AR2760131	Shutter	1				
35	AR2760200	Spring	1				
36	AR2760120	Insert	1				
37	AR1470210	O-ring	1				
38	AR2760270	O-ring	1				
39	AR2760230	Injector	1				

F= Kit42780 O-Rings					
Pos	Qty	Pos	Qty	Pos	Qty
10	1	23	2	38	1
11	1	26	1	44	1
14	1	28	1	45	1
15	5	29	1	46	1
18	1	31	1		
19	1	33	1		
20	2	37	1		

ARKIT 2223 VRZ Auto Repair Kit			
Pos	Qty	Pos	Qty
28	1	44	1
40	1	45	1
41	1	46	1
42	1	47	1
43	1	50	1